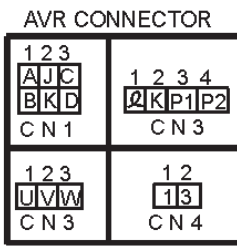
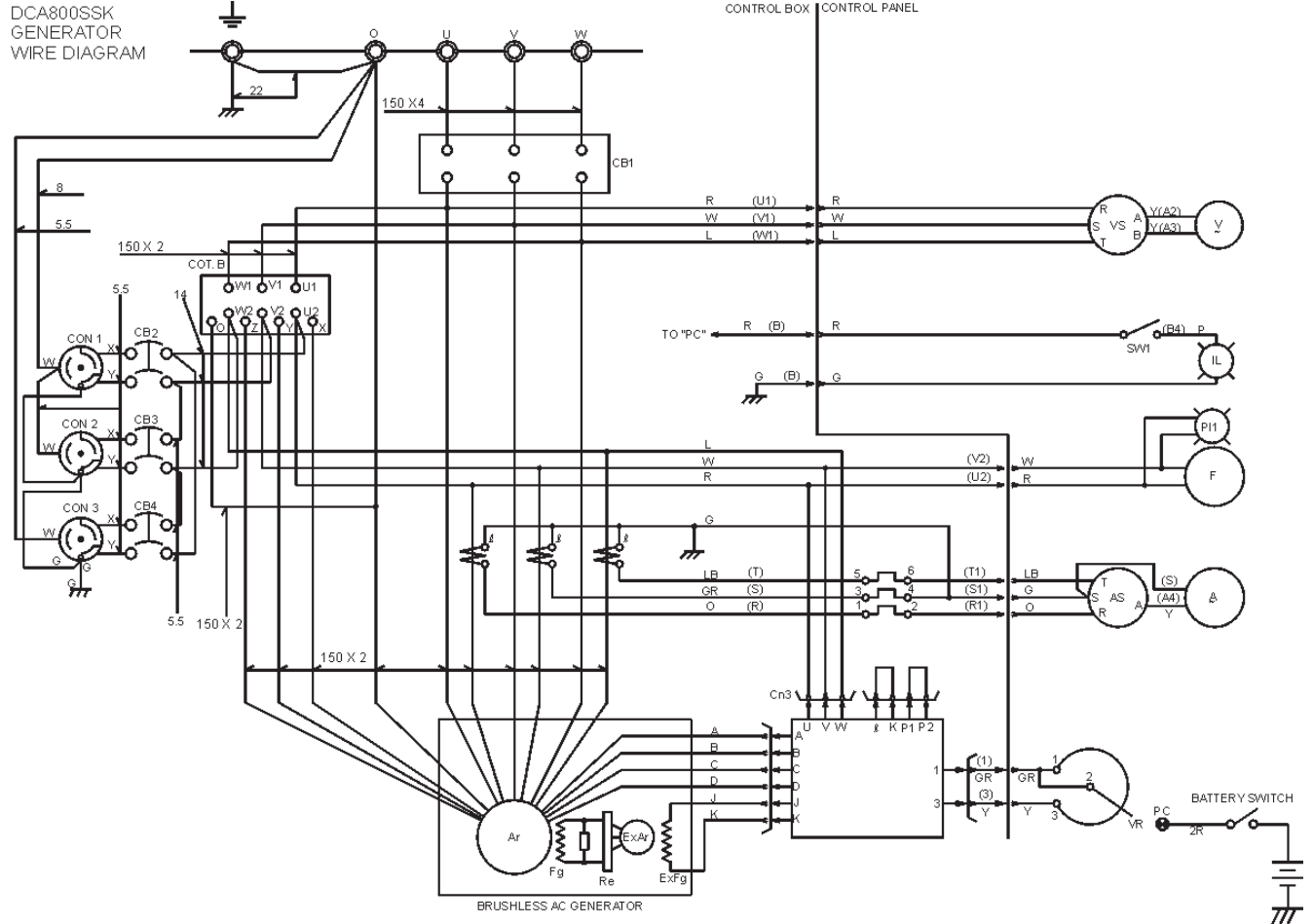


# DCA-800SSK — GENERATOR WIRING DIAGRAM



(VIEW FROM INSERTING WIRE SIDE)

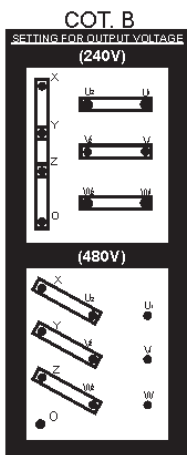
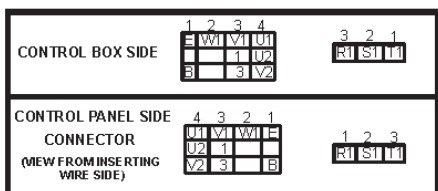
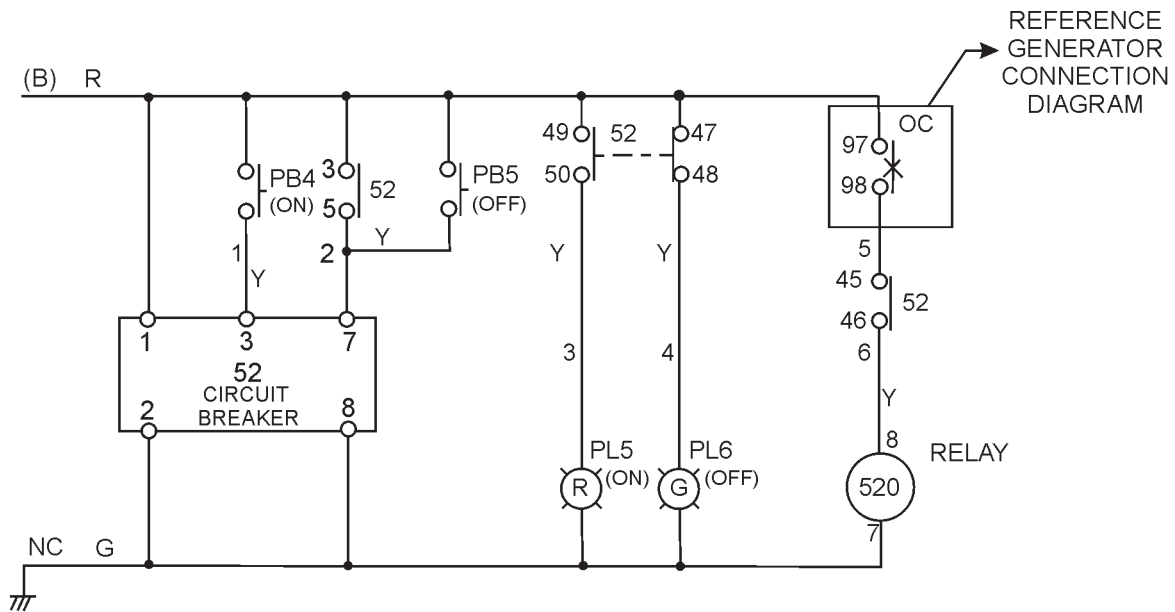


Figure 81. Generator Wiring Diagram

MARK	NAME
AR	MAIN GENERATOR ARMATURE WINDING
Fg	MAIN GENERATOR FIELD WINDING
ExAr	EXCITER ARMATURE WINDING
ExFg	EXCITER FIELD WINDING
AVR	AUTOMATIC VOLTAGE REGULATOR
VR	VOLTAGE REGULATING RHEOSTAT
Re	RECTIFIER
CT1~3	CURRENT TRANSFORMER (1500/5A)
C B 1	CIRCUIT BREAKER (2500A)
OC	OVER CURRENT RELAY
COT. B	BOLTAGE CHANGE-OVER BOARD
AS	AMMETER CHANGE-OVER SWITCH
A	AC AMMETER (0~1500 3000A)
VS	VOLTMETER CHANGE-OVER SWITCH
V	AC VOLTMETER (0~600)
F	FREQUENCY METER (45~65HZ)
PI1	PILOT LAMP
CB2~4	AUX. CIRCUIT BREAKER (50A)
CON1~5	AUX POWER RECEPTACLE (50A)
IL	PANEL LIGHT
SW1	PANEL LIGHT SWITCH

WIRE SIZE	COLOR CODE
125: 125 mm <sup>2</sup>	CODE/ WIRE COLOR
100: 100 mm <sup>2</sup>	B BLACK R RED
80: 80 mm <sup>2</sup>	L BLUE W WHITE
22: 22 mm <sup>2</sup>	BR BROWN Y YELLOW
14: 14 mm <sup>2</sup>	G GREEN LB LIGHT BLUE
8: 8 mm <sup>2</sup>	GR GRAY LG LIGHT GREEN
5.5: 5.5 mm <sup>2</sup>	V VIOLET O ORAGNE
	P PINK
NO MARK WIRE SIZE: 1.25 mm <sup>2</sup>	

# DCA-800SSK — GENERATOR WIRING DIAGRAM (MAIN BREAKER)

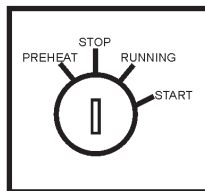
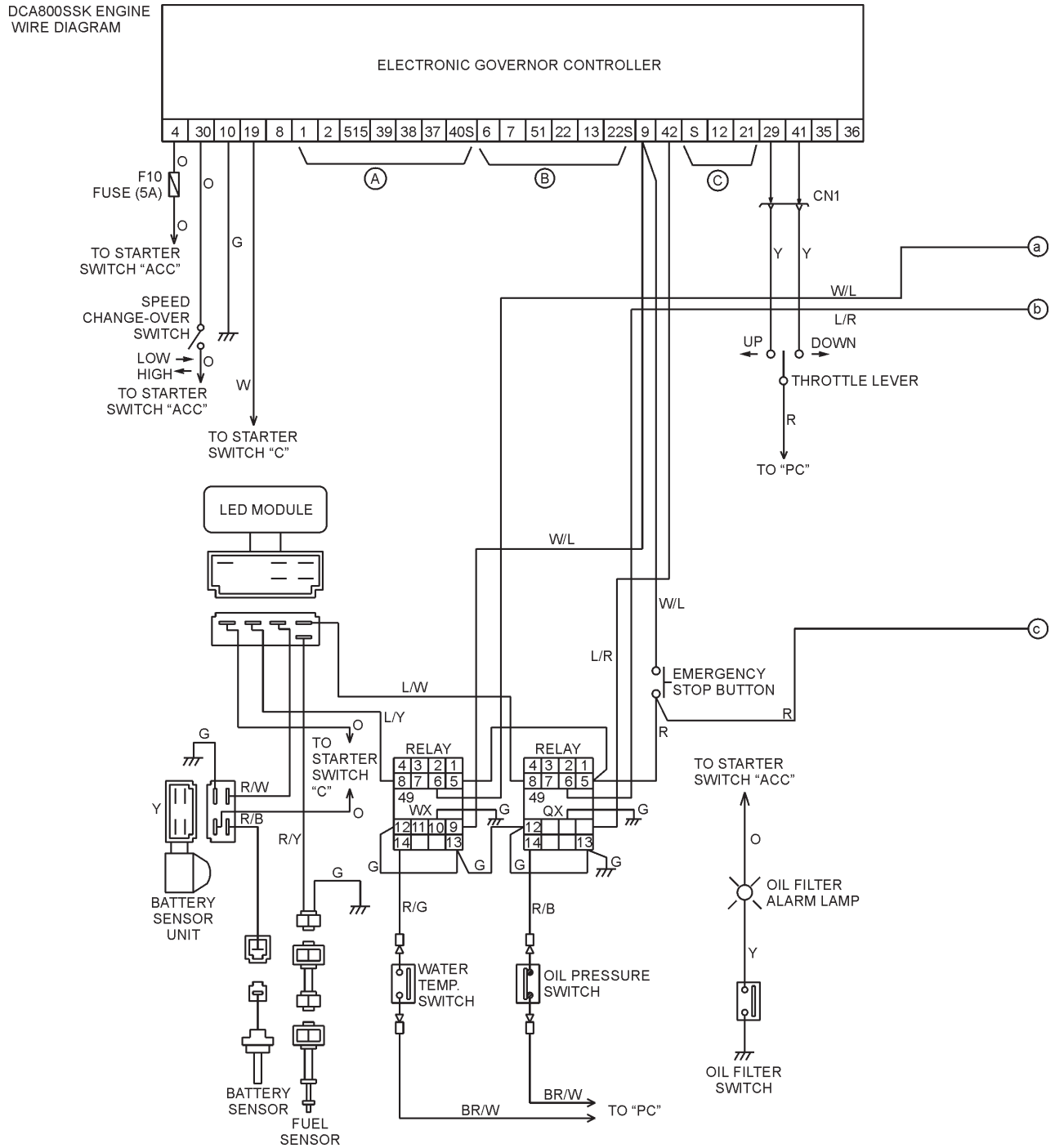


WIRE SIZE	COLOR CODE			
	CODE/ WIRE COLOR			
125: 125 mm <sup>2</sup>	B	BLACK	R	RED
100: 100 mm <sup>2</sup>	L	BLUE	W	WHITE
80: 80 mm <sup>2</sup>	BR	BROWN	Y	YELLOW
22: 22 mm <sup>2</sup>	G	GREEN	LB	LIGHT BLUE
14: 14 mm <sup>2</sup>	GR	GRAY	LG	LIGHT GREEN
8: 8 mm <sup>2</sup>	V	VIOLET	O	ORANGE
5.5: 5.5 mm <sup>2</sup>	P	PINK		
NO MARK WIRE SIZE: 1.25 mm <sup>2</sup>				

SYMBOL	DESIGNATION
PB4	CIRCUIT BREAKER (ON) SWITCH
PB5	CIRCUIT BREAKER (OFF) SWITCH
PL5	CIRCUIT BREAKER (ON) LAMP
PL6	CIRCUIT BREAKER (OFF) LAMP

Figure 82. Main Circuit Breaker Wiring Diagram

# DCA-800SSK — ENGINE WIRING DIAGRAM



	STARTER SWITCH CONNECTION					
	B	BR	R1	R2	C	ACC
STOP	●					
PREHEAT	●	●	●			●
RUNNING	●	●				●
START	●	●		●	●	●

WIRE SIZE	COLOR CODE			
	CODE/	WIRE	COLOR	
150: 150 mm <sup>2</sup>	B	BLACK	R	RED
100: 100 mm <sup>2</sup>	L	BLUE	W	WHITE
20: 20 mm <sup>2</sup>	BR	BROWN	Y	YELLOW
5: 5 mm <sup>2</sup>	G	GREEN	LB	LIGHT BLUE
2: 2 mm <sup>2</sup>	GR	GRAY	LG	LIGHT GREEN
NO MARK	V	VIOLET	O	ORAGNE
SIZE: 1.25 mm <sup>2</sup>	P	PINK		

Figure 83. Engine Wiring Diagram

# DCA-800SSK — ENGINE WIRING DIAGRAM

DCA800SSK ENGINE WIRE DIAGRAM

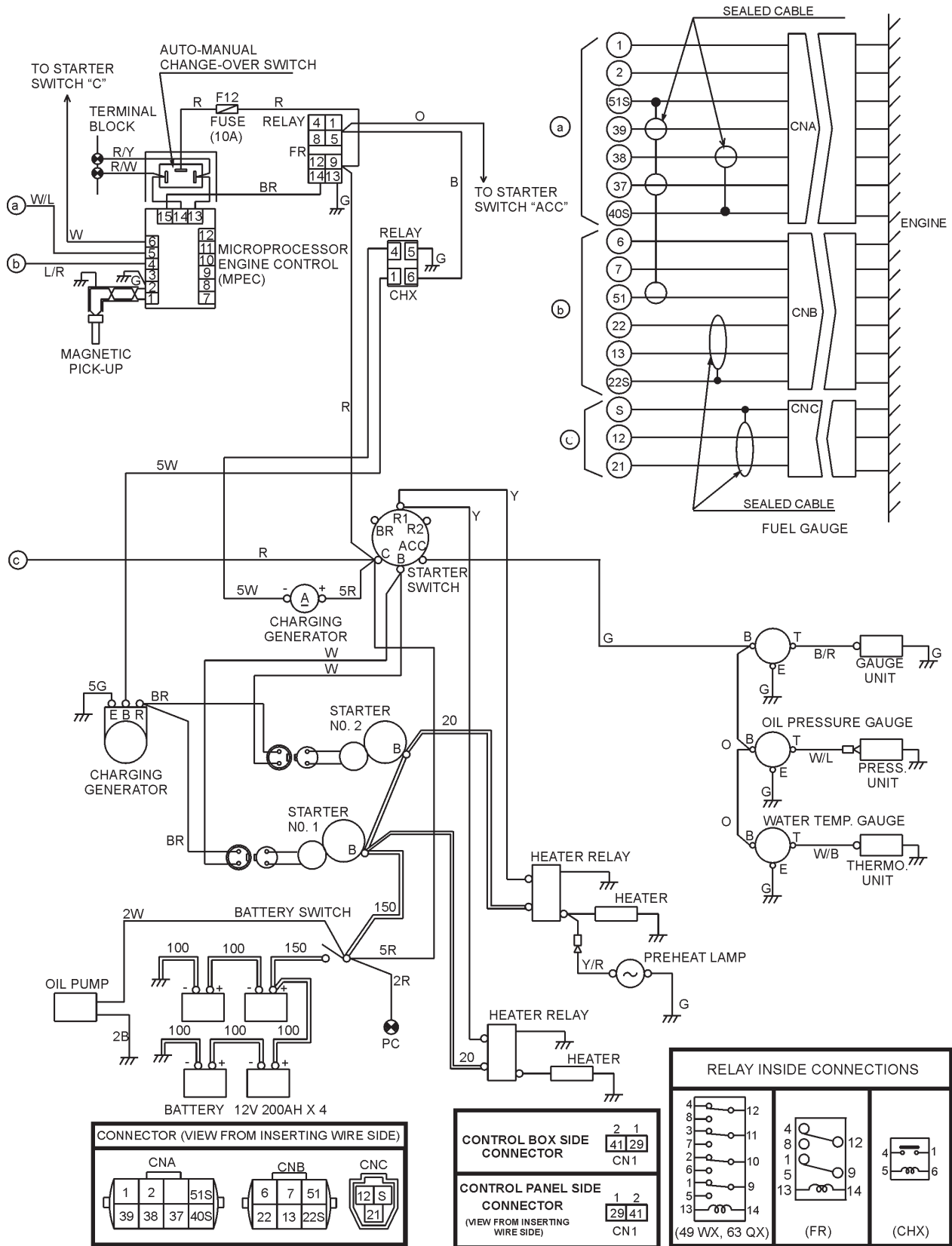
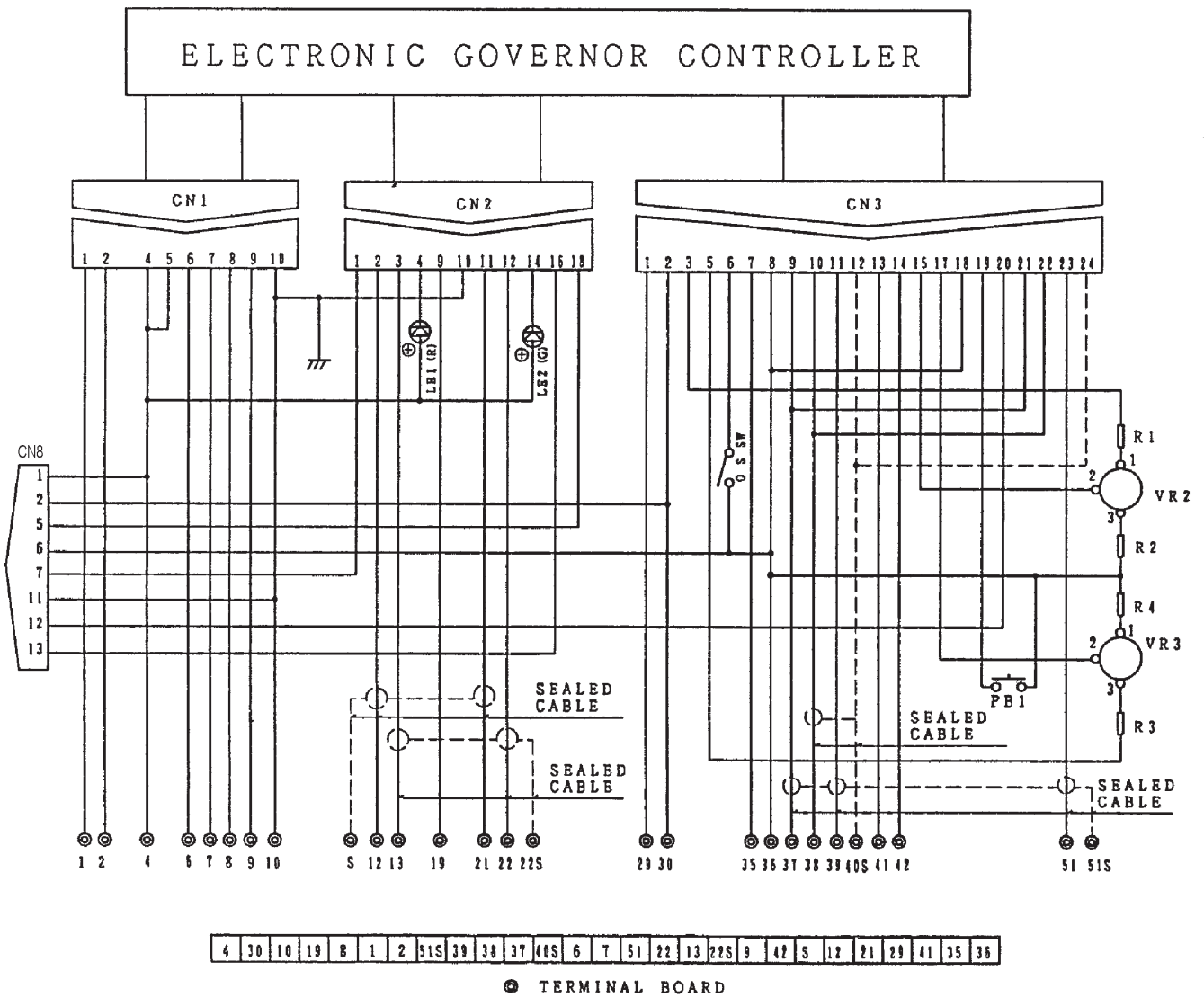


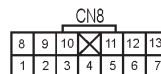
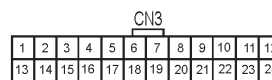
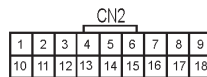
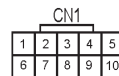
Figure 84. Engine Wiring Diagram(Continued)

# DCA-800SSK — ELECTRONIC GOV. CONTROLLER WIRING DIAGRAM



VIEW FROM INSERTING  
WIRE SIDE

SYMBOL	DESIGNATION
O.S. SW	OVERSPEED TEST SWITCH
PB1	RESET BUTTON
LE1-2	TROUBLE INDICATOR LAMPS
VR2	HIGH IDLE ADJUST TRIMMER
VR3	IDLE ADJUST TRIMMER
R1~R4	RESISTOR



**Figure 85. Electronic Governor Controller**