



This bulletin is provided for technical reference and service related updates. If you have any questions, comments or do not wish to receive these e-mails, please reply to this e-mail or call the Service Technical Support Group 800 478-1244.

FMMURPHY PowerView™ METER

PV101-A-ISUZU (SPECIAL ISUZU VERSION)

INSTALLATION GUIDE

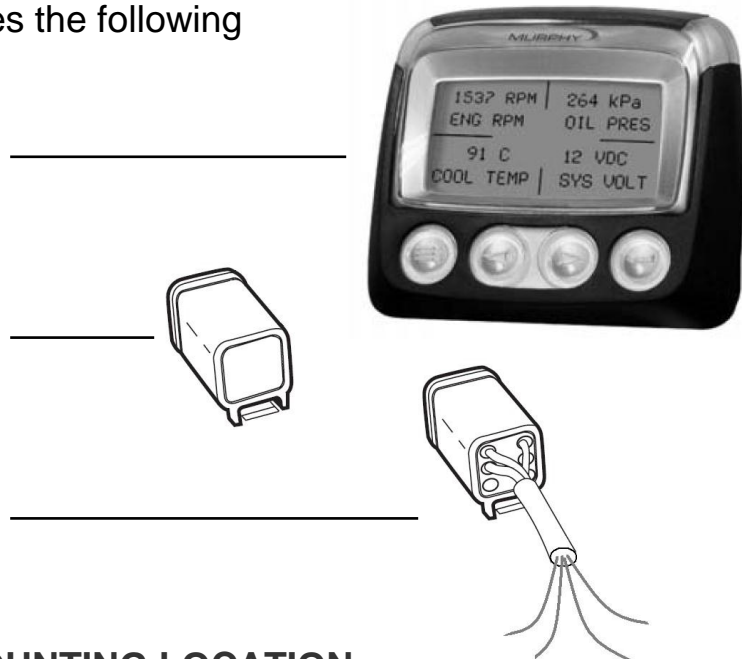
IMPORTANT: Before beginning installation, make sure the generator is disabled and cannot be started during installation.

MQ PART# EE55695
Includes the following

PART# ... **78350187**
Murphy Power View Meter
PV101 - A - Isuzu

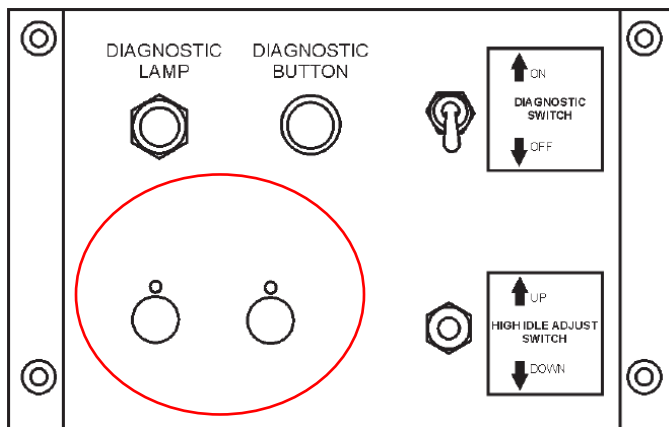
PART# ... **78000128**
Deutsch Terminating Resistor Plug
PVJR

PART#... **78000125**
Deutsch Pigtail Plug
PVW-PW-30
Includes 120 Ω resistor in harness

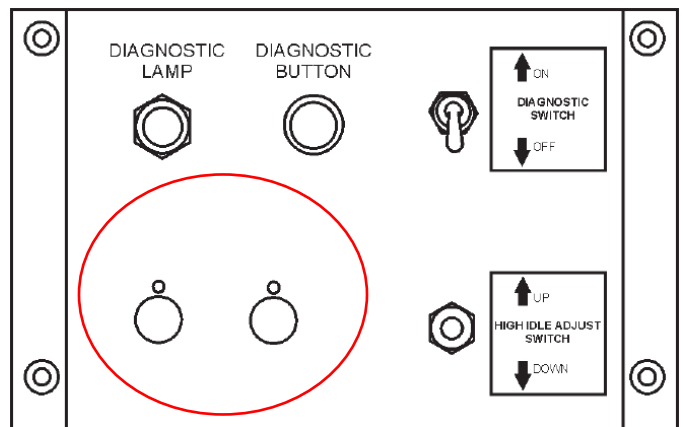


MOUNTING LOCATION

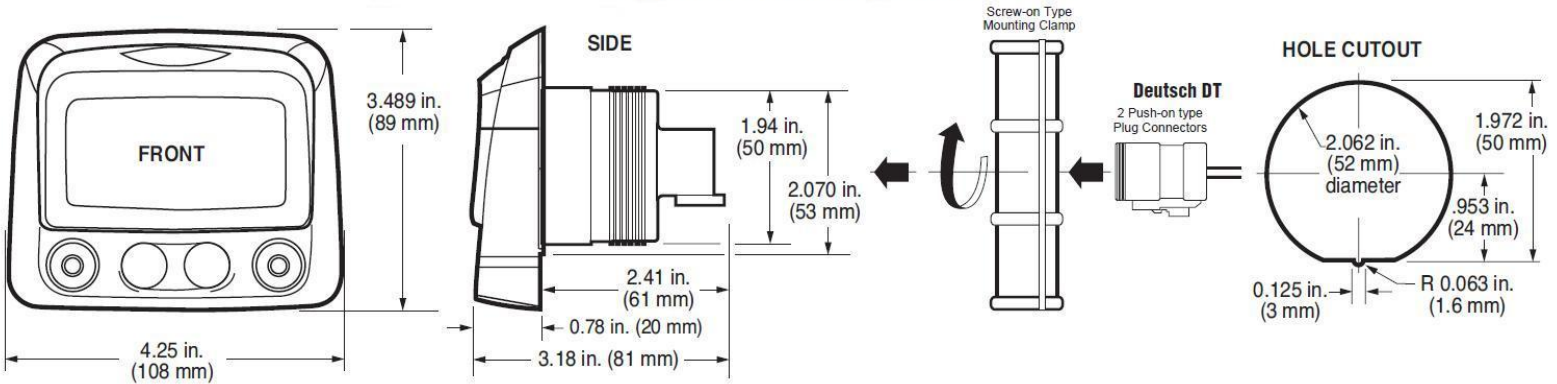
BEFORE



AFTER

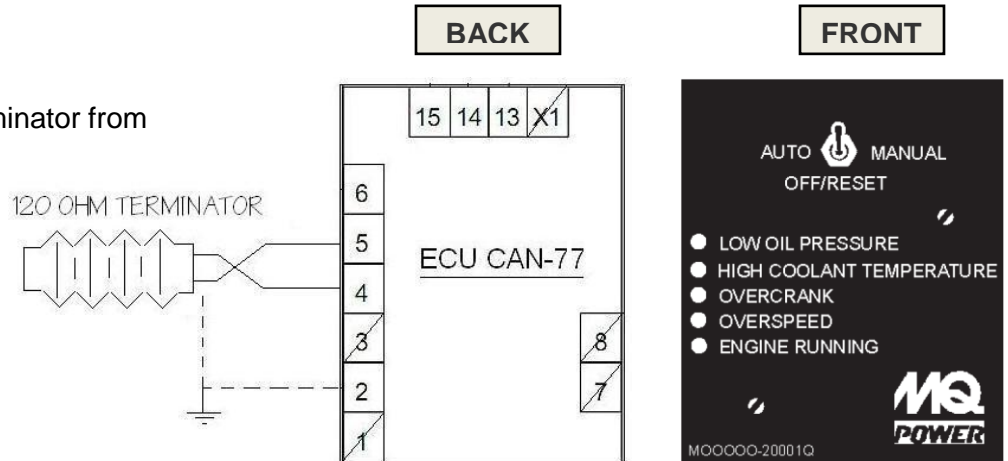


Typical Mounting Dimensions



6. Connect PVW-PW-30 to Power View Meter – plug ‘A’ (see page 3 for pictorial).
7. Connect PVJR to Power View Meter – plug ‘B’ (see page 3 for pictorial).
8. Mount the Power View Meter on the diagnostic panel – secure to panel with screw on clamp.

5. Disconnect (remove) 120 ohm terminator from ECU-CAN77 on terminals 4 & 5.



PVW-PW-30 PIGTAIL WIRE CONNECTIONS

(Reference diagram on page 3)

1. PVW-PW-30 Pigtail: Connect **RED** wire from pigtail to the existing **ORANGE** wire on the terminal of the **DIAGNOSTIC** switch.
2. PVW-PW-30 Pigtail: Connect both **GRAY** wires from pigtail to terminal ‘2’ on the ECU-CAN 77 which is **GROUND**.
3. PVW-PW-30 Pigtail: Connect **GREEN** wire from pigtail to terminal ‘5’ on the ECU-CAN 77 which is **CAN LO**.
4. PVW-PW-30 Pigtail: Connect **YELLOW** wire from pigtail to terminal ‘4’ on the ECU-CAN 77 which is **CAN HI**.

