

PARTS MANUAL



MODEL DEFTANK302 DEF REPLENISHMENT SYSTEM

Revision #0 (08/28/24)

To find the latest revision of this publication or associated operation manual, visit our website at: www.multiquip.com



THIS MANUAL MUST ACCOMPANY THE EQUIPMENT AT ALL TIMES.

DEFTANK302
DEF Replenishment System

Explanation Of Code In Remarks Column..... 4
Suggested Spare Parts 5

Component Drawings

Decal Assembly 6–7
DEF Fill And Hose Assembly..... 8–9
Pump Assembly 10–11
Communication Cable Assembly..... 12–13
Cover Plate Assembly 14–15
Valve Assembly 16–17
Deftank Base Assembly..... 18–19
Front Panel Assembly..... 20–21
Control Box Assembly 22–23
Controller And Relay Assembly 24–25
Enclosure Assembly 26–27
Cabinet Assembly..... 28–29
Insulation Kit Assembly..... 30–31
Main Harness Assembly 32–33
DEF Hose Heat Assembly (Option) 34–35
DEFTANK Heatpad Assembly (Option) 36–37
DEF Heat Pad Assembly (Option)..... 38–39
Stacking Assembly (Option) 40–41

NOTICE
Part numbers are subject to change without notice.

EXPLANATION OF CODE IN REMARKS COLUMN

The following section explains the different symbols and remarks used in the Parts section of this manual. Use the help numbers found on the back page of the manual if there are any questions.

NOTICE

The contents and part numbers listed in the parts section are subject to change without notice. Multiquip does not guarantee the availability of the parts listed.

SAMPLE PARTS LIST

NO.	PART NO.	PART NAME	QTY.	REMARKS
1	12345	BOLT	1	INCLUDES ITEMS W/%
2%		WASHER, 1/4 IN.		NOT SOLD SEPARATELY
2%	12347	WASHER, 3/8 IN. ...	1	MQ-45T ONLY
3	12348	HOSE	A/R	MAKE LOCALLY
4	12349	BEARING	1	S/N 2345B AND ABOVE

NO. Column

Unique Symbols — All items with same unique symbol (@, #, +, %, or >) in the number column belong to the same assembly or kit, which is indicated by a note in the “Remarks” column.

Duplicate Item Numbers — Duplicate numbers indicate multiple part numbers, which are in effect for the same general item, such as different size saw blade guards in use or a part that has been updated on newer versions of the same machine.

NOTICE

When ordering a part that has more than one item number listed, check the remarks column for help in determining the proper part to order.

PART NO. Column

Numbers Used — Part numbers can be indicated by a number, a blank entry, or TBD.

TBD (To Be Determined) is generally used to show a part that has not been assigned a formal part number at the time of publication.

A blank entry generally indicates that the item is not sold separately or is not sold by Multiquip. Other entries will be clarified in the “Remarks” Column.

QTY. Column

Numbers Used — Item quantity can be indicated by a number, a blank entry, or A/R.

A/R (As Required) is generally used for hoses or other parts that are sold in bulk and cut to length.

A blank entry generally indicates that the item is not sold separately. Other entries will be clarified in the “Remarks” Column.

REMARKS Column

Some of the most common notes found in the “Remarks” Column are listed below. Other additional notes needed to describe the item can also be shown.

Assembly/Kit — All items on the parts list with the same unique symbol will be included when this item is purchased.

Indicated by:

“INCLUDES ITEMS W/(unique symbol)”

Serial Number Break — Used to list an effective serial number range where a particular part is used.

Indicated by:

“S/N XXXXX AND BELOW”

“S/N XXXX AND ABOVE”

“S/N XXXX TO S/N XXX”

Specific Model Number Use — Indicates that the part is used only with the specific model number or model number variant listed. It can also be used to show a part is NOT used on a specific model or model number variant.

Indicated by:

“XXXXX ONLY”

“NOT USED ON XXXX”

“Make/Obtain Locally” — Indicates that the part can be purchased at any hardware shop or made out of available items. Examples include battery cables, shims, and certain washers and nuts.

“Not Sold Separately” — Indicates that an item cannot be purchased as a separate item and is either part of an assembly/kit that can be purchased, or is not available for sale through Multiquip.

SUGGESTED SPARE PARTS

DEFTANK302 REPLENISHMENT SYSTEM

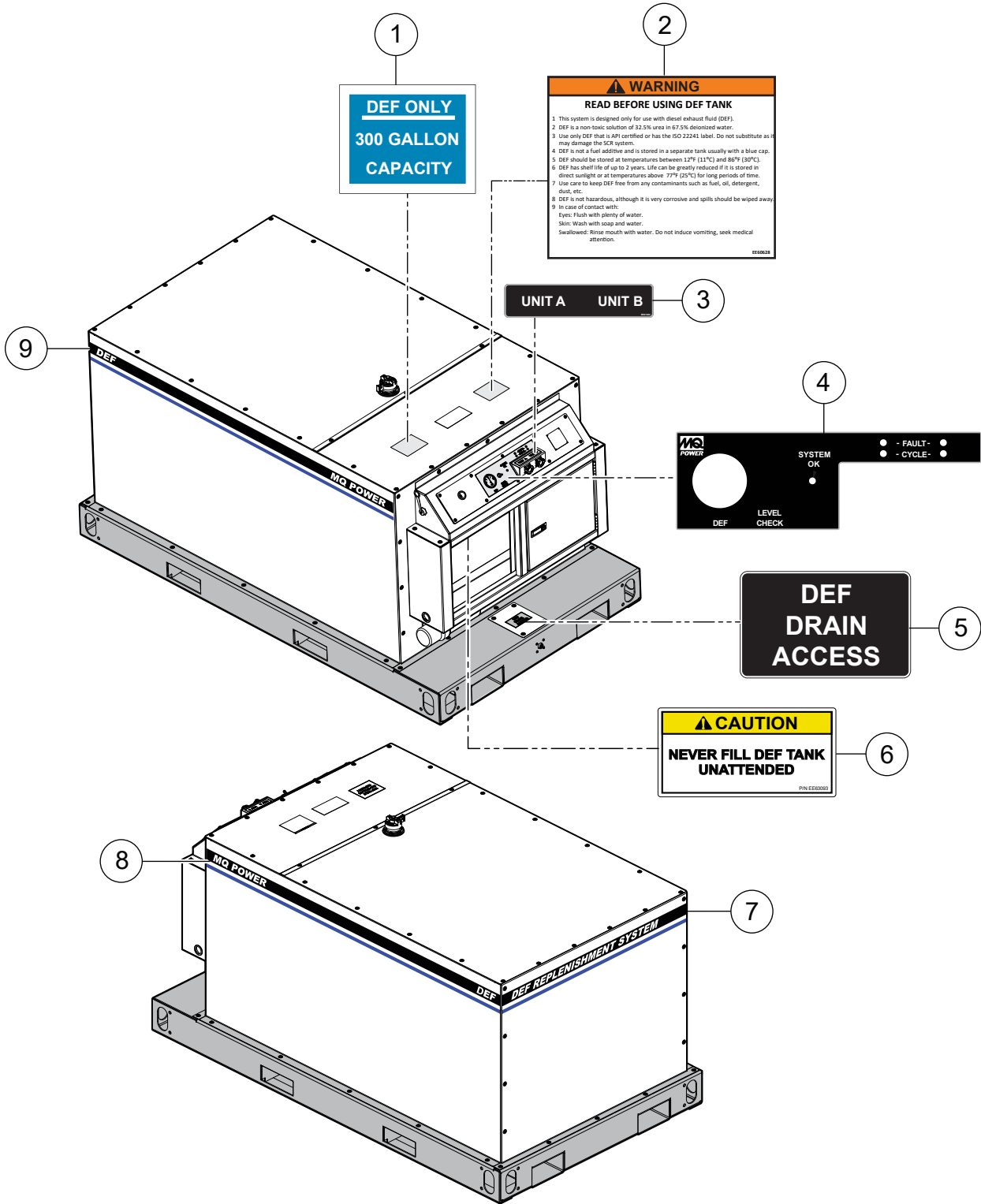
1 to 5 units

Qty.	P/N	Description
3.....	EE60845.....	RELAY, 40A 12VDC COIL
1.....	EE5739.....	DIODE, SNGL. PHASE 35A
1.....	EE61320.....	JUMPER RELAY
1.....	EE61251.....	RESISTOR, 294Ω 0.5W
1.....	EE60826.....	DUST CAP, BLK.
1.....	EE60490.....	GAUGE, DEF LEVEL

NOTICE

Part numbers on this Suggested Spare Parts list may supersede/replace the part numbers shown in the following parts lists.

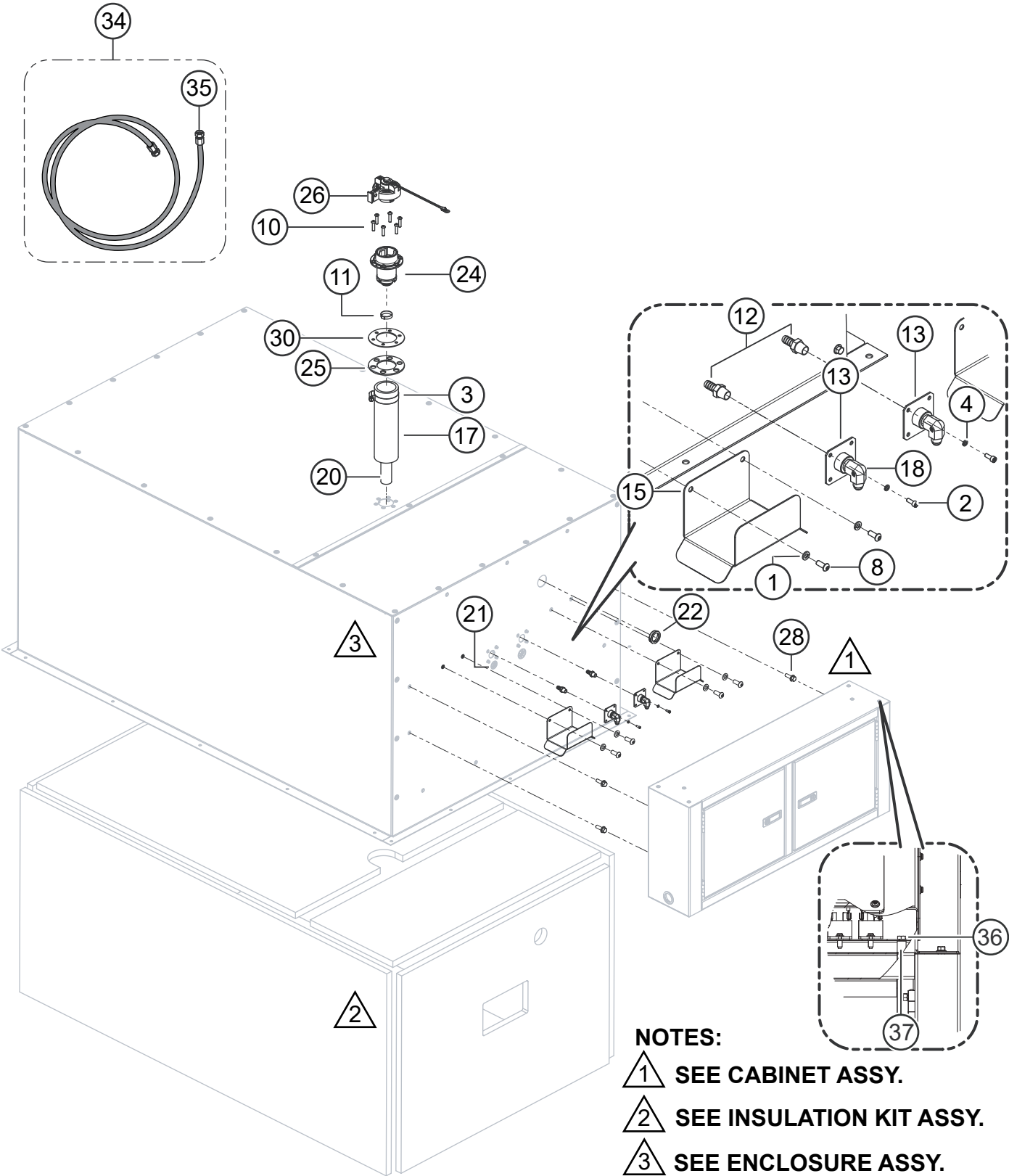
DECAL ASSY.



DECAL ASSY.

<u>NO.</u>	<u>PART NO.</u>	<u>PART NAME</u>	<u>QTY.</u>	<u>REMARKS</u>
1	EE64034	DECAL; DEF ONLY, 300 GAL. CAPACITY	1	
2	EE60628	DECAL; LABEL,WARNING, DEF TANK	1	
3	EE61282	DECAL; UNIT A/B DEFTANK	1	
4	EE61281	DECAL; POWER AND LEVEL GAUGE DEF TANK	1	
5	EE61283	DECAL; DEF DRAIN ACCESS	1	
6	EE63093	DECAL; NEVER FILL DEF TANK UNATTENDED	1	
7	EE64030	DECAL; REAR, DEF REPLENISHMENT SYSTEM	1	
8	EE64029	DECAL; LEFT, DEF REPLENISHMENT SYSTEM	1	
9	EE64028	DECAL; RIGHT, DEF REPLENISHMENT SYSTEM	1	

DEF FILL AND HOSE ASSY.



- NOTES:**
- ① SEE CABINET ASSY.
 - ② SEE INSULATION KIT ASSY.
 - ③ SEE ENCLOSURE ASSY.

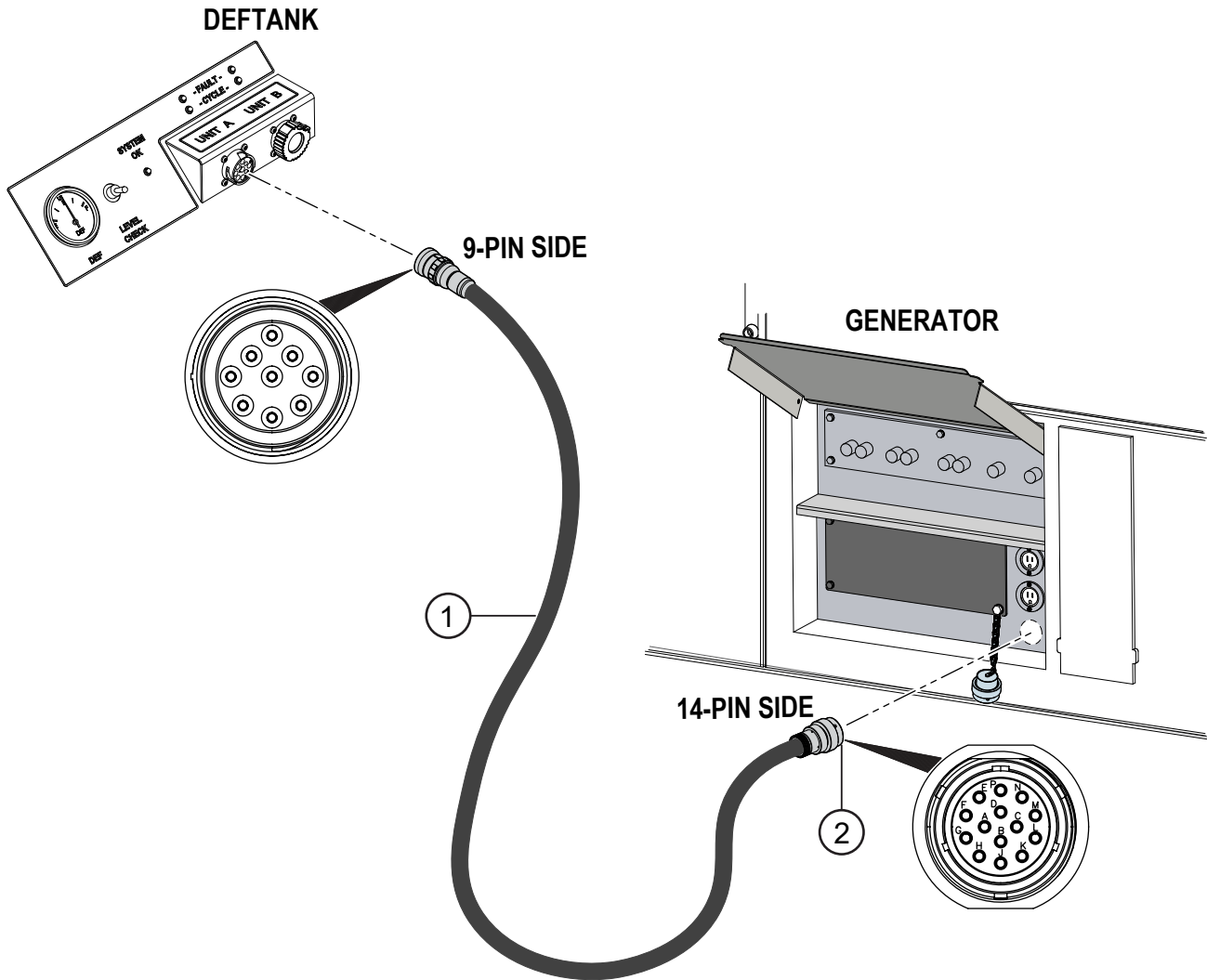
DEF FILL AND HOSE ASSY.

<u>NO.</u>	<u>PART NO.</u>	<u>PART NAME</u>	<u>QTY.</u>	<u>REMARKS</u>
1	0181 B	WASHER, LOCK 1/4 MED	4	
2	07469-004	SCREW, SHC 10-32 X 1/2	8	
3	12277	CLAMP, HOSE WORM #36	1	
4	19780	WASHER, LOCK #10 MED	8	
8	973752	SCREW, BHSC, 1/4-20 X 5/8, SS	4	
10	EE55639	SCREW, BHSC, 1/4-20 X 1, SS	6	
11	EE58469	CLAMP, CRIMP, SHAW	1	
12	EE60291	FITTING, STRAIGHT, 3/8 BARB 3/8" NPT-M	2	
13	EE60296	COUPLING, FLANGED, 3/8" NPT, SS	2	
15	EE60379	HANGER, HOSE	2	
17	EE60423	HOSE, OUTER, DEF FILL, 2" ID X 8.5" LG.	1	
18	EE60445	FITTING, 90°, 3/8" MJ X 3/8" MP, SS	2	
20	EE60464	TUBE, INNER DEF FILL	1	
21	EE60469	BUSHING, EXPAND LOCKING, 1-3/8" HOLE	2	
22	EE60470	BUSHING, SNAP 1.75" HOLE	1	
24	EE60618	FILL ASSEMBLY, FLANGED, DEF TANK	1	
25	EE60619	GASKET, FILL ASSEMBLY, DEF TANK	1	
26	EE60620	CAP, LOCKING W/LANYARD	1	
28	EE60959	SCREW, HFS 1/4-20 X 3/4, SS	4	
30	EE61213	SHIM, FILL ASSEMBLY, DEF TANK	1	
34	EE60457	HOSE ASSEMBLY, 3/8" DEF	1.....	INCLUDES ITEM W/#
35#	EE60457-01	FITTING, 6HBS X 6FJS, SS	2	
36	26250	SCREW, HHC 1/4-20 X 1-3/4	2	
37	EE61558	SPACER, .26 ID X .50 OD X .63, LDPE	2	

PUMP ASSY.

<u>NO.</u>	<u>PART NO.</u>	<u>PART NAME</u>	<u>QTY.</u>	<u>REMARKS</u>
1	EE61464	HOSE, 3/8" DEF	1	
2	EE61245	COVER PLATE STAUFF CLAMP	2	
3	EE61246	CLAMP BODY 3/8" PIPE 11/16" ID	2	
4	48918	BRACKET ASSY., VALVE CLAMP, DEFTANK 300	2	
5	49070	NUT, HFS 1/4-20	2	
6	48917	BRACKET, VALVE ASSY., DEFTANK 300	2	
7	34364	SCREW, HFS 1/4-20 X 1/2 GR5	2	
8	38636	SCREW, HHC 1/4-20 X 3 1/2 GRD 5 ZINC	4	
9	EE60560	THERMOSTAT, HEATER	1	
10	EE52949	SCREW, 6-32 X 3/4 PPH SS	2	
11	38636	SCREW, HHC 1/4-20 X 3 1/2 GRD 5 ZINC	1	
12	35023	CLAMP, LOOM CUSHIONED #10 .263 HOLE	1	
13	2925	FITTING, PLASTIC 90, 6BARB-3/8MP	1	
14	23976	MOUNTING BASE ADHESIVE TIE WRAP	1	
15	EE64012	MOUNTING PLATE ASSEMBLY, PUMP	1	
16	EE61061	TRIM, U-CHANNEL, PUSH-ON	1	
17	EE52810	CLAMP, STEPLESS EAR, 19/32-43/64, SS	1	
18	EE60291	FITTING, 3/8 BARB X 3/8 MP, NYLON	1	
19	3458	SCREW, PHP 8-32 X 1	8	
20	15173	WASHER, FLAT, #8	8	
21	EE60373	PUMP ASSEMBLY, REMOTE DEF SYSTEM.....	2	INCLUDES ITEMS W/\$
22\$	EE60335	Y-STRAINER, 50 MESH, 3/8" FNPT, SS	2	
23\$	2856	TERMINAL, MALE PUSH, 16-14 X .25, INSUL.	2	
24\$	EE61062	FITTING, STR 3/8 MP SS	1	
25\$	EE64031	FITTING PLUG 1/4MNPT NYLON	2	
26\$	EE62952	PUMP, DEF, 1.4 GPM, 30 PSI, 24 VDC	2	

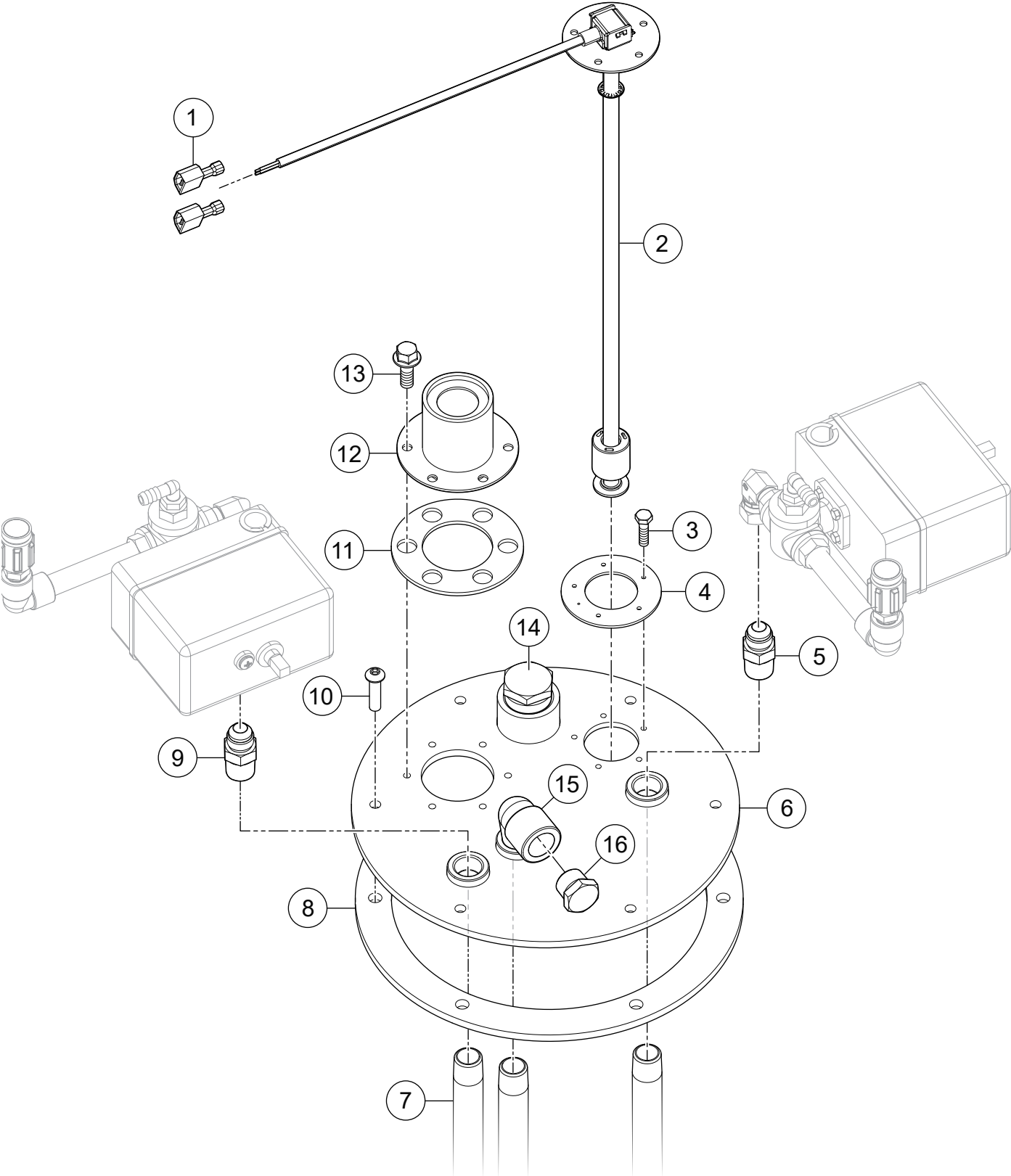
COMMUNICATION CABLE ASSY.



COMMUNICATION CABLE ASSY.

<u>NO.</u>	<u>PART NO.</u>	<u>PART NAME</u>	<u>QTY.</u>	<u>REMARKS</u>
1	EE60460	COMMUNICATION CABLE, 25 FT.	2	
2	EE60950	DUST CAP, HD30, 18 SHELL	2	

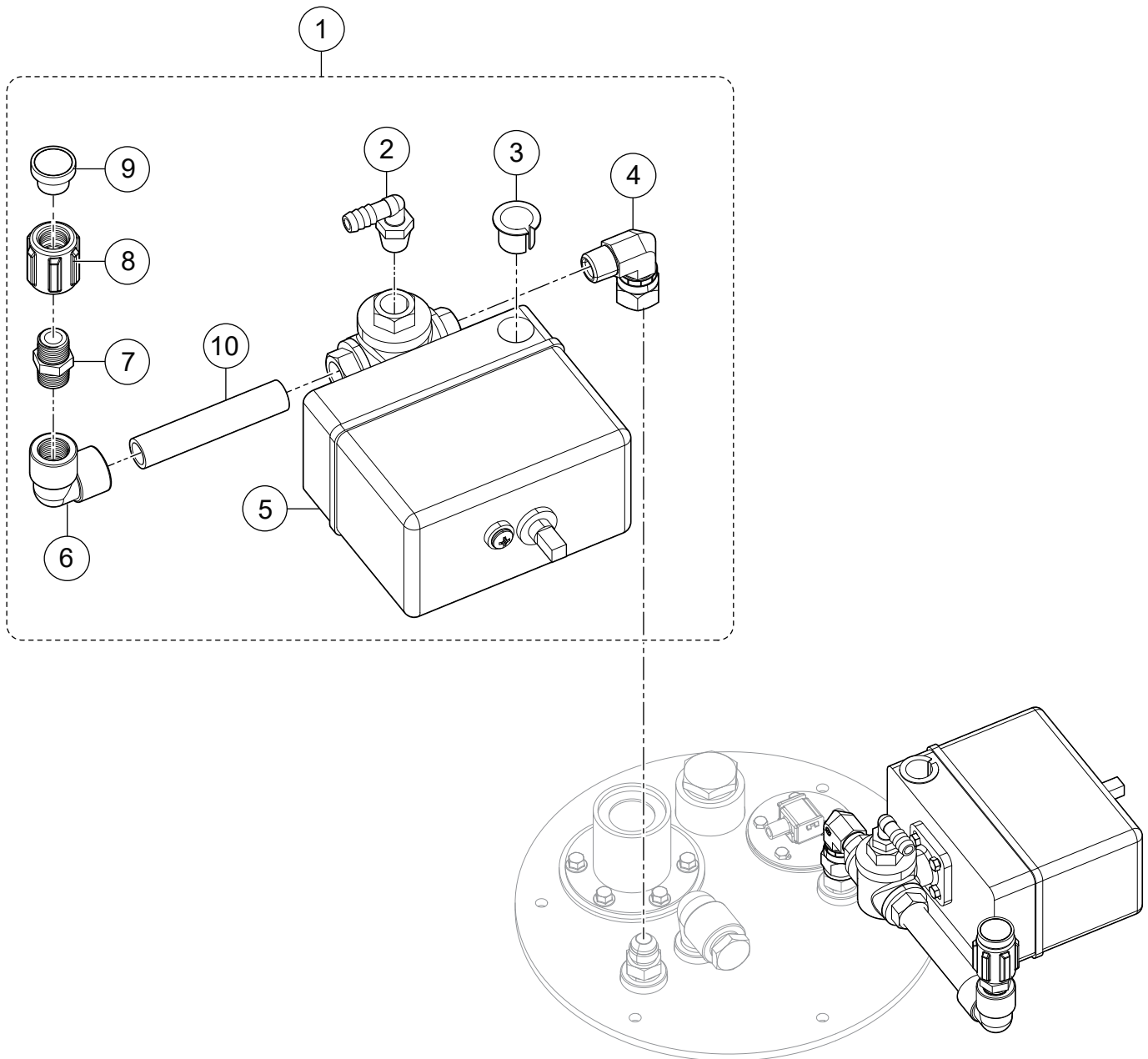
COVER PLATE ASSY.



COVER PLATE ASSY.

<u>NO.</u>	<u>PART NO.</u>	<u>PART NAME</u>	<u>QTY.</u>	<u>REMARKS</u>
1	21618	TERMINAL, TAB, .250, 22-18 AWG	2	
2	EE64017	FLUID LEVEL SENDER, SAE 5 BOLT, 28"	1	
3	32527	SCREW, HHC 10-32 X 3/4", SS	1	
4	EE60559	GASKET, SAE 5 BOLT, VITON	1	
5	EE60838	FITTING, STRAIGHT, 1/2" NPT TO 1/2" MJ, SS	1	
6	EE70084	COVER PLATE W/A, DUAL PICKUP	1	
7	EE64019	PIPE, 1/2" NPT X 30", SCH 40, SS	3	
8	EE60246	GASKET, TANK COVER PLATE	1	
9	EE60838	FITTING, STRAIGHT, 1/2" NPT TO 1/2" MJ, SS	1	
10	EE55639	SCREW, BHSC, 1/4-20 X 1, SS	6	
11	EE60619	GASKET, FILL ASSEMBLY, DEF TANK	1	
12	EE60351	W/A TUBE NIPPLE	1	
13	EE60959	SCREW HFS 1/4-20 X 3/4, SS	6	
14	EE62919	PLUG, 1 NPT MALE, HEX HEAD, NYLON	1	
15	EE62194	FITTING, 90 1/2MP-1/2FP, POLY	1	
16	EE61172	PLUG, 1/2 NPT MALE, HEX HEAD, NYLON	1	

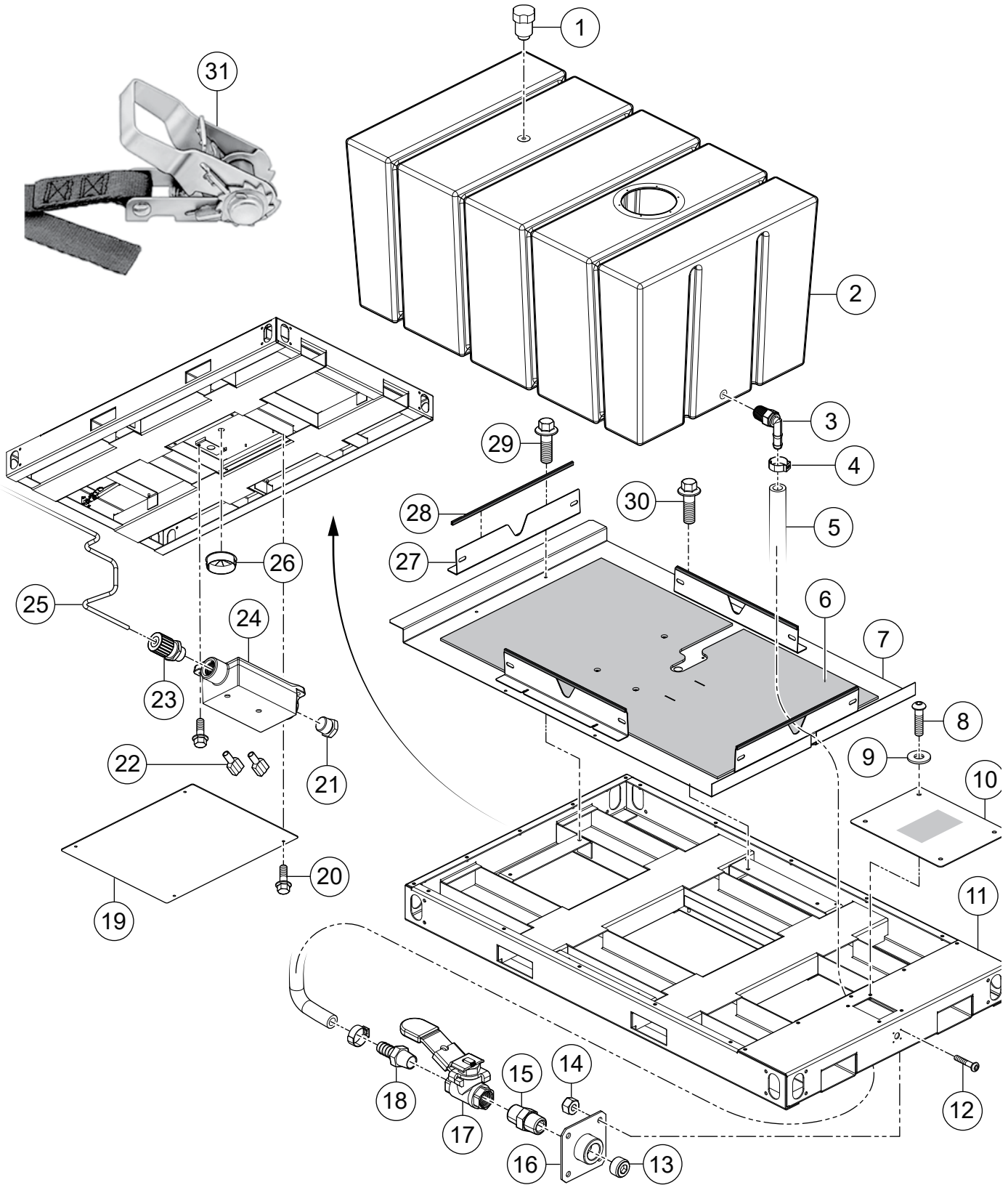
VALVE ASSY.



VALVE ASSY.

<u>NO.</u>	<u>PART NO.</u>	<u>PART NAME</u>	<u>QTY.</u>	<u>REMARKS</u>
1	EE61102	VALVE ASSEMBLY, MOTORIZED, DEF TANK	1	
2	2925	FITTING, PLASTIC 90 6BARB-3/8MP	1	
3	EE61322	BUSHING ANTI-SHORT, 1/2 IN.	1	
4	EE60839	FITTING, 90 3/8 MP X 1/2 FJS, SS	1	
5	EE60243	BALL VALVE, 3-WAY, ELEC.,SS, 3/8", 12 VDC	1	
6	EE60292	FITTING, ELBOW, 90 DEG, 3/8" NPT (FEM), PP	1	
7	EE61395	FITTING STR, 3/8" MNPT SCH 80 POLYPRO	1	
8	EE61396	FITTING STR, 3/8" FNPT SCH 80 POLYPRO	1	
9	EE61206	BREATHER VENT 3/8" NPT POLYETHYLENE	1	

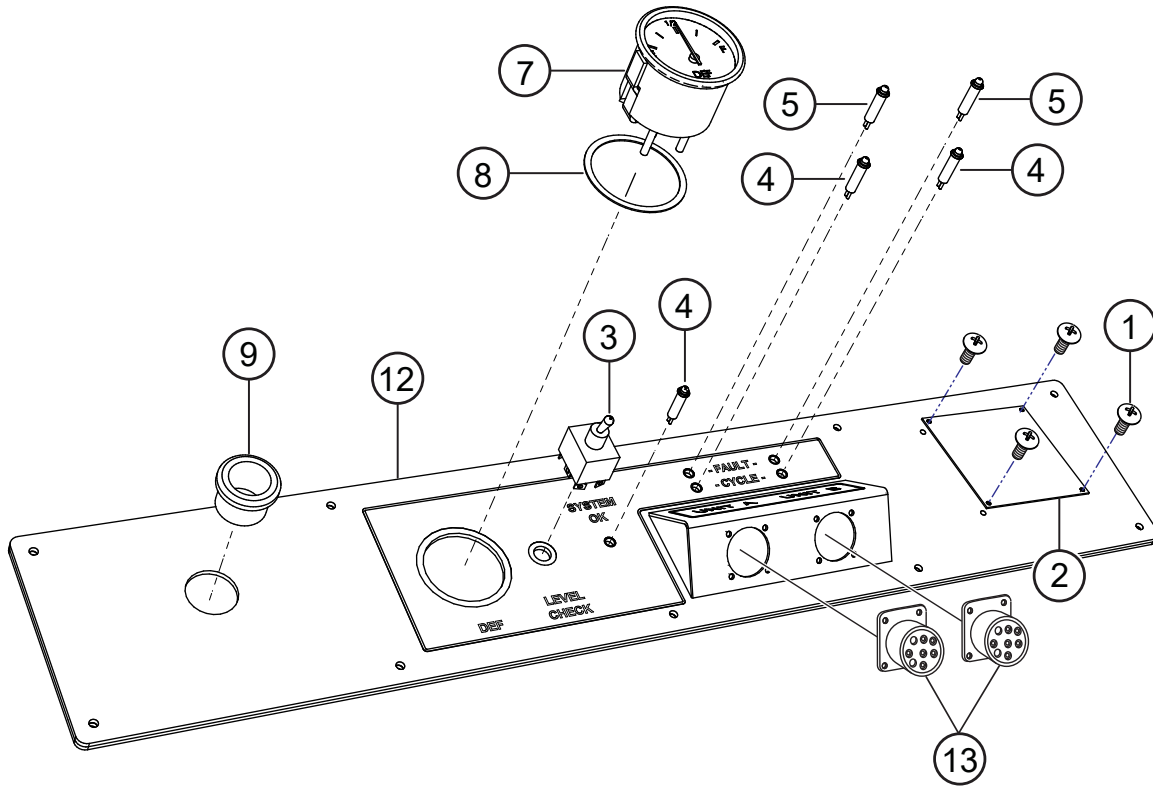
DEFTANK BASE ASSY.



DEFTANK BASE ASSY.

<u>NO.</u>	<u>PART NO.</u>	<u>PART NAME</u>	<u>QTY.</u>	<u>REMARKS</u>
1	EE60330	VENT, TANK BREATHER	1	
2	EE64026	TANK, DEF-300 GAL	1	
3	EE64032	FITTING 90 -6BARB X 3/8MNPT POLYPRO	1	
4	EE52810	CLAMP, STEPLESS EAR, 19/32-43/64, SS	1	
5	EE61464	HOSE 3/8 DEF	1	
6	EE64018	FLOOR MAT, DEF300	1	
7	EE64010	FLOOR PAN ASSEMBLY, DEF300	1	
8	EE55639	SCREW, BHSC, 1/4-20 X 1, SS	4	
9	EE52631	WASHER, FLAT 1/4, SS	1	
10	EE60300-09	COVER ACCESS DRAIN VALVE DEF SYSTEM	1	
11	EE64009	BASE ASSEMBLY, 300 DEF SYSTEM	1	
12	EE53185	SCREW PHP 10-32 X 1, SS	1	
13	EE60541	FITTING, PLUG,3/8" NPTF, HEX RECESS, SS	1	
14	10019	NUT, NYLOC 10-32	1	
15	EE61062	FITTING STR 3/8 MP, SS	1	
16	EE60296	COUPLING FLANGED 3/8" NPT, SS	1	
17	EE48477	VALVE, BALL, BV-SS, 3/8 NPT	1	
18	EE60291	FITTING, 3/8 BARB X 3/8 MP, NLYON	1	
19	EE62019	COVER, HEATING PAD, DEF BASE	1	
20	EE60959	SCREW HFS 1/4-20 X 3/4 SS	1	
21	EE61172	PLUG, 1/2 NPT MALE, HEX HEAD, NYLON	1	
22	2856	TERMINAL, MALE PUSH, 16-14 X .25, INSUL.	2	
23	EE62282	CORD GRIP, .25-.38 CORD OD	1	
24	EE62013	JUNCTION BOX ASSEMBLY	1	
25	EE62295	CABLE, SJTW, 3-WIRE, 16 GA	1	
26	EE60469	BUSHING, EXPANDABLE, 1" DIA	1	
27	EE64015	TIE-DOWN, DEF300	1	
28	EE61061	TRIM, U-CHANNEL, PUSH-ON	1	
29	23619	SCREW, HFS 1/4-20 X 1-1/4 ZP	1	
30	49048	SCREW, HFS 1/4-20 X 3/4 GR5	1	
31	EE60342	STRAP, CINCHING, RATCHET, 1" NYLON X 16'	1	

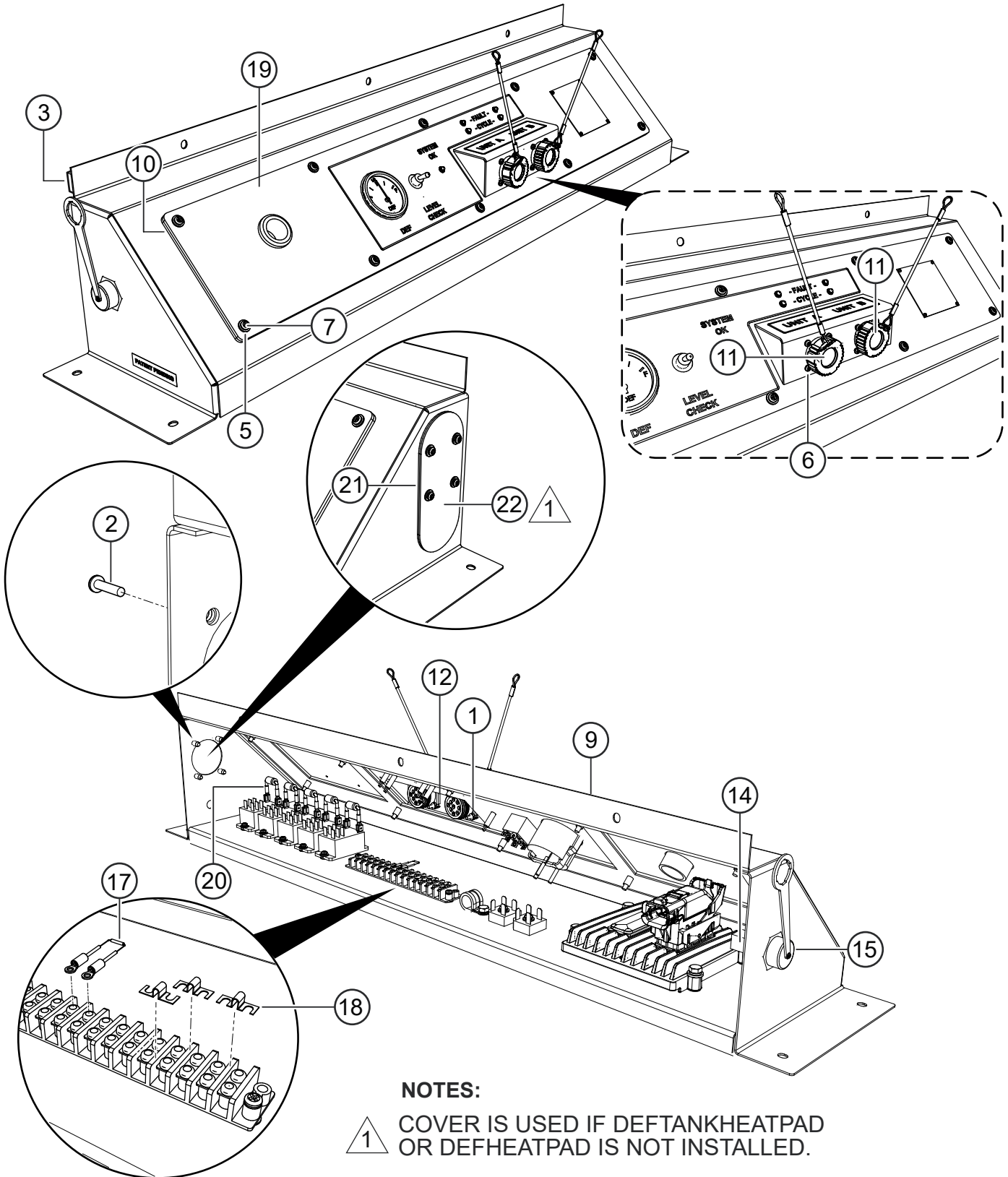
FRONT PANEL ASSY.



FRONT PANEL ASSY.

<u>NO.</u>	<u>PART NO.</u>	<u>PART NAME</u>	<u>QTY.</u>	<u>REMARKS</u>
1	4014	SCREW, 2-3/16 P-K TYPE U-DRIVE	4	
2	46245-2	SERIAL NUMBER PLATE	1	
3	EE2632	SWITCH, TOGGLE, OFF-MOMENTARY	1	
4	EE5659	LED, GREEN, 12 VOLT, 24 AWG	3	
5	EE5665	LED, RED, 14 VOLT, 24 AWG	2	
7	EE60490	GAUGE, DEF LEVEL	1	
8	EE60497	GASKET, LIQUID LEVEL GAUGE, RUBBER	1	
9	EE61000	SIGHT GLASS	1	
12	EE61281	PANEL W/A, CONNECTIONS AND GAUGE	1	
13		RECEPTACLE, 9-PIN	2.....	INCLUDED IN MAIN HARNESS

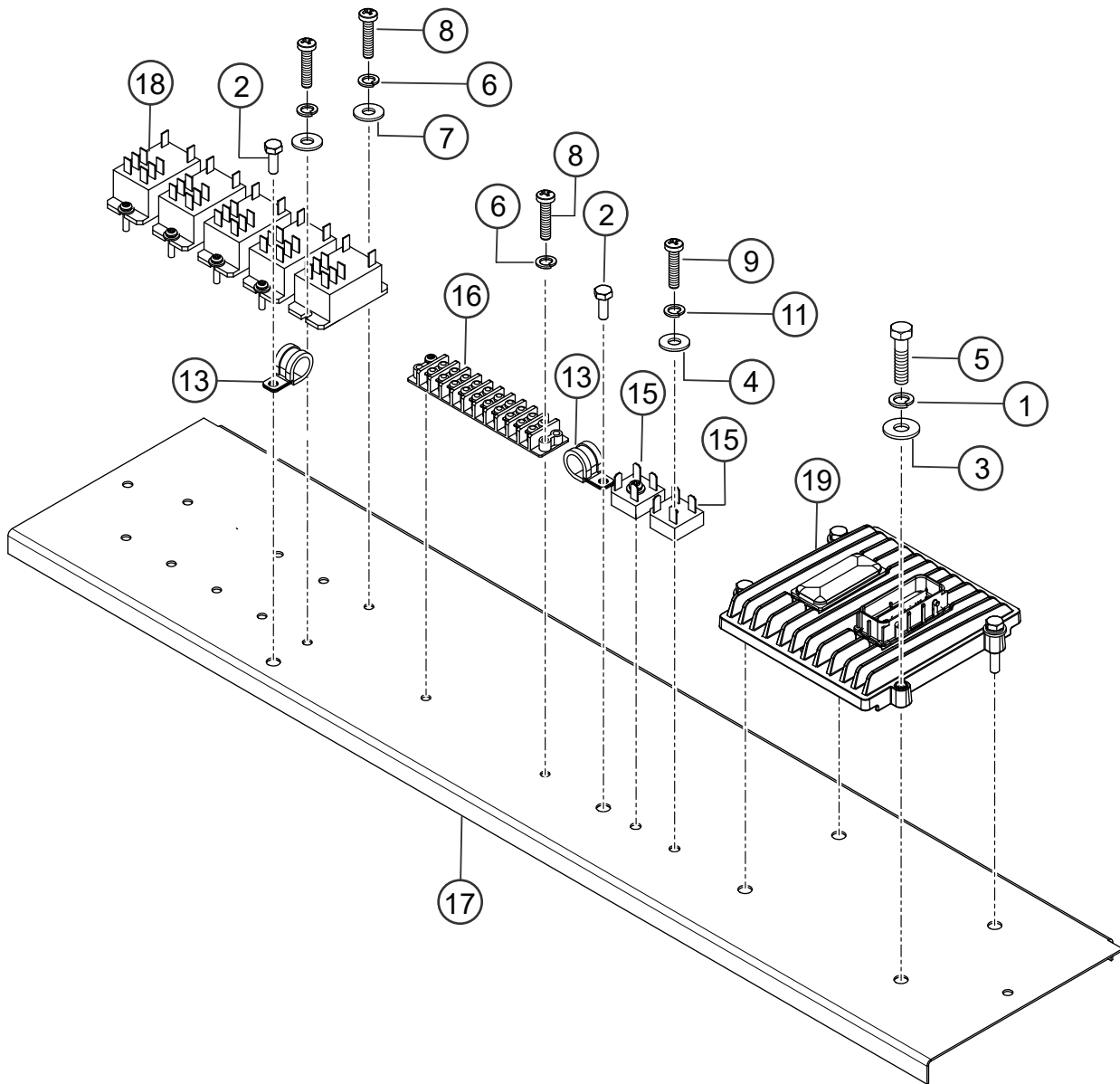
CONTROL BOX ASSY.



CONTROL BOX ASSY.

<u>NO.</u>	<u>PART NO.</u>	<u>PART NAME</u>	<u>QTY.</u>	<u>REMARKS</u>
1	11152	NUT, NYLOC 6-32	8	
2	34939	SCREW, PHP 8-32 X 3/4, SS	4	
3	60131	TAPE, NEOPRENE FOAM, 1/16 X 1 WIDE	3	1 PC = 1 FT.
4	EE52682	WASHER, SPLIT LOCK, #8, SS	4	
5	EE52689	WASHER, FLAT, #10, SS	10	
6	EE52949	SCREW, PHP, #6-32 X 3/4, SS	8	
7	EE53185	SCREW, 10-32 X 1, PHP, SS	10	
8	EE53657	WASHER, FLAT, #8, SS	4	
9	EE60801	CONTROL BOX W/A, DEF SYSTEM	1	
10	EE60805	GASKET, CONTROL PANEL	1	
11	EE60826	DUST CAP, BLK., HD10 SERIES W/LANYARD	2	
12	EE60831	GASKET, RECEPT., 9-PIN DEUTSCH HD10	2	
14	EE61219	RECEPTACLE, AMPH., RJ485, BAYONET	1	
15	EE61220	DUST CAP, ETHERNET, RJ45, MOLEX	1	
17	EE61251	RESISTOR, 294 OHM, 1/2 WATT	1	
18	EE61253	TERMINAL, 2-WAY JUMPER	3	
19	EE61279	PANEL ASSY., CONNECTOR AND GAUGE	1	
20	EE61320	JUMPER RELAY, DIODE, DEF CONTROL	5	
21	EE61401	GASKET, RECEPTACLE COVER	1	
22	EE61402	COVER, RECEPTACLE/TOGGLE	1	

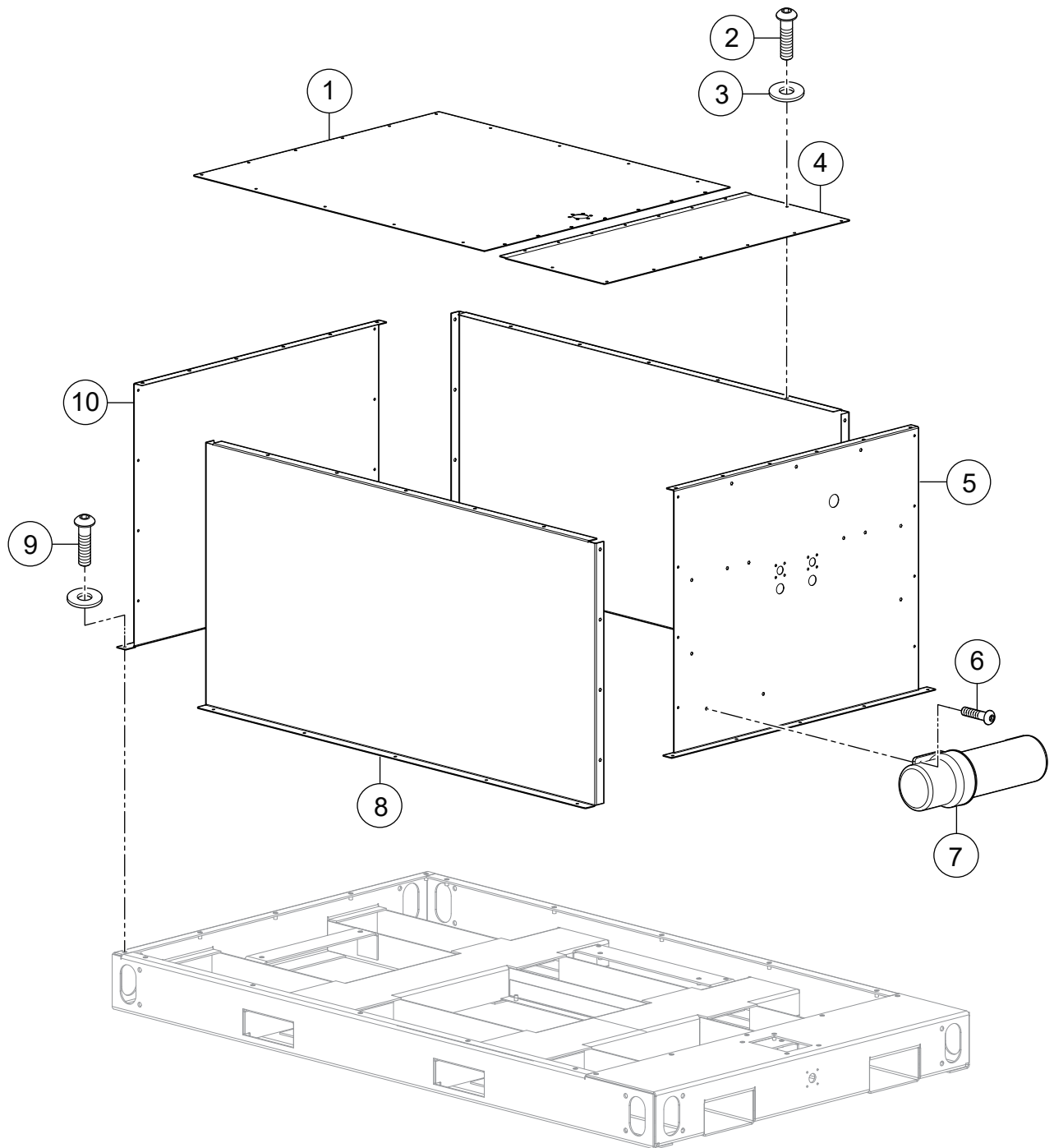
CONTROLLER AND RELAY ASSY.



CONTROLLER AND RELAY ASSY.

<u>NO.</u>	<u>PART NO.</u>	<u>PART NAME</u>	<u>QTY.</u>	<u>REMARKS</u>
1	0181 B	WASHER, LOCK 1/4 MED	4	
2	0131 A	SCREW, HHC 1/4-20 X 3/4	2	
3	948	WASHER, FLAT SAE 1/4	4	
4	2203	WASHER, FLAT, #10	2	
5	5277	SCREW, HHC 1/4-20 X 1-1/2	4	
6	07029-002	WASHER, SPLIT LOCK, #8	12	
7	15173	WASHER, FLAT, #8	10	
8	15175	SCREW, PHP 8-32 X 3/4	12	
9	15177	SCREW, PHP 10-32 X 1	2	
10	19266	NUT, BLIND 1/4-20 X .027-.165	6	
11	19780	WASHER, LOCK #10 MED	2	
13	35023	CLAMP, LOOM CUSHIONED #10 .263 HOLE	2	
14	49146	NUT, BLIND 8-32 X .020 - .080	12	
15	EE5739	DIODE, SNGL PHASE, FLY-BK BRIDGE, 35A	2	
16	EE63027	TERMINAL BLOCK, 10 WAY, 300 VAC	1	
17	EE60801-2	BOTTOM, CONTROL BOX	1	
18	EE60845	RELAY, DPDT, 40A, 12VDC COIL	5	
19	EE60848	CONTROLLER, PROGRAMMABLE	1	

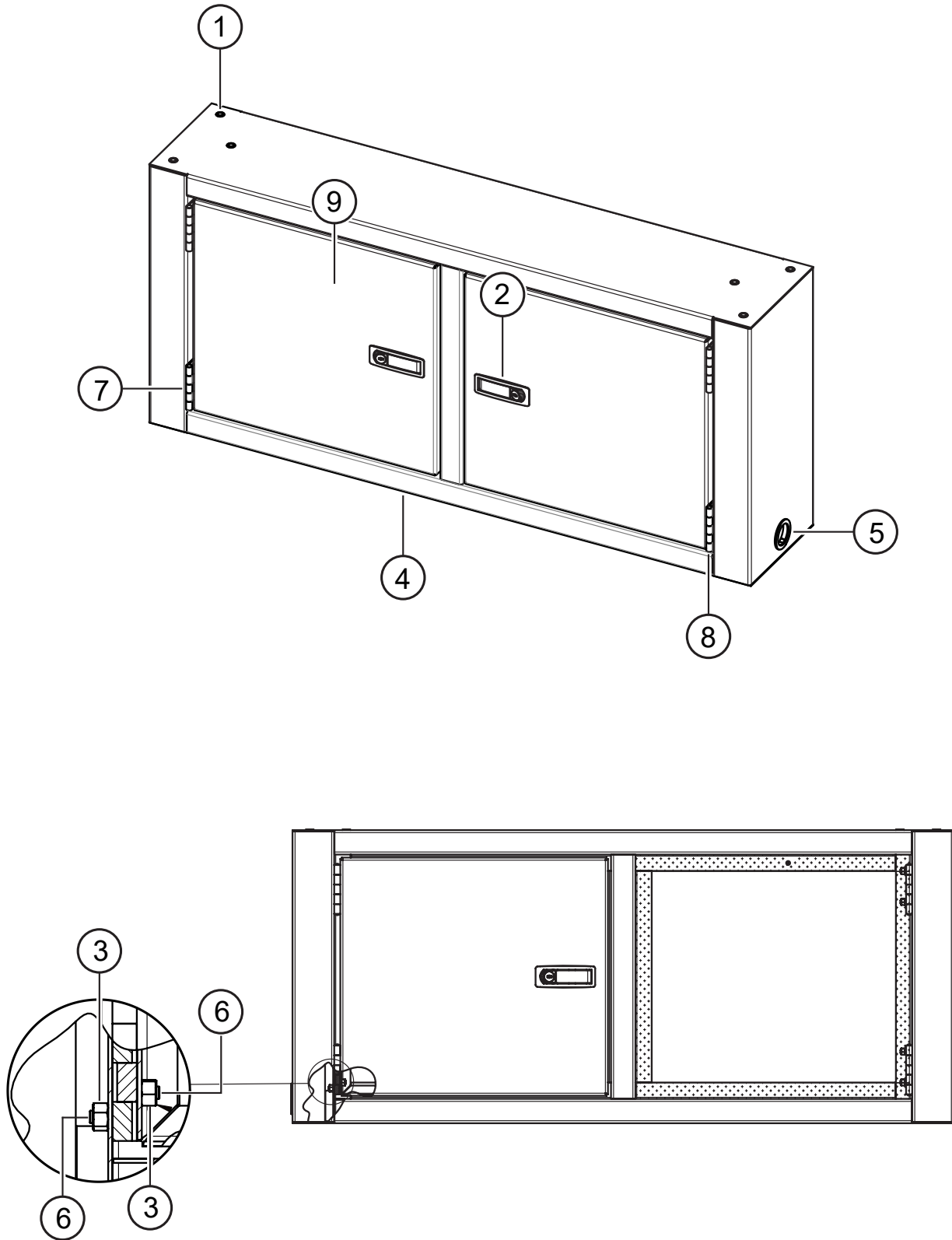
ENCLOSURE ASSY.



ENCLOSURE ASSY.

<u>NO.</u>	<u>PART NO.</u>	<u>PART NAME</u>	<u>QTY.</u>	<u>REMARKS</u>
1	EE64008	COVER-REAR, ENCLOSURE	1	
2	973752	SCREW, BHS 1/4-20 X 5/8, SS	41	
3	EE52631	WASHER, FLAT 1/4, SS	1	
4	EE64007	COVER-FRONT, ENCLOSURE	1	
5	EE64004	PANEL-FRONT, ENCLOSURE	1	
6	EE55639	SCREW, BHSC, 1/4-20 X 1, SS	2	
7	23297	MANUAL HOLDER, PICTOGRAPH SAE J232	1	
8	EE64005	PANEL-SIDE, ENCLOSURE	2	
9	EE55639	SCREW, BHSC, 1/4-20 X 1, SS	8	
10	EE64006	PANEL-REAR, ENCLOSURE	1	

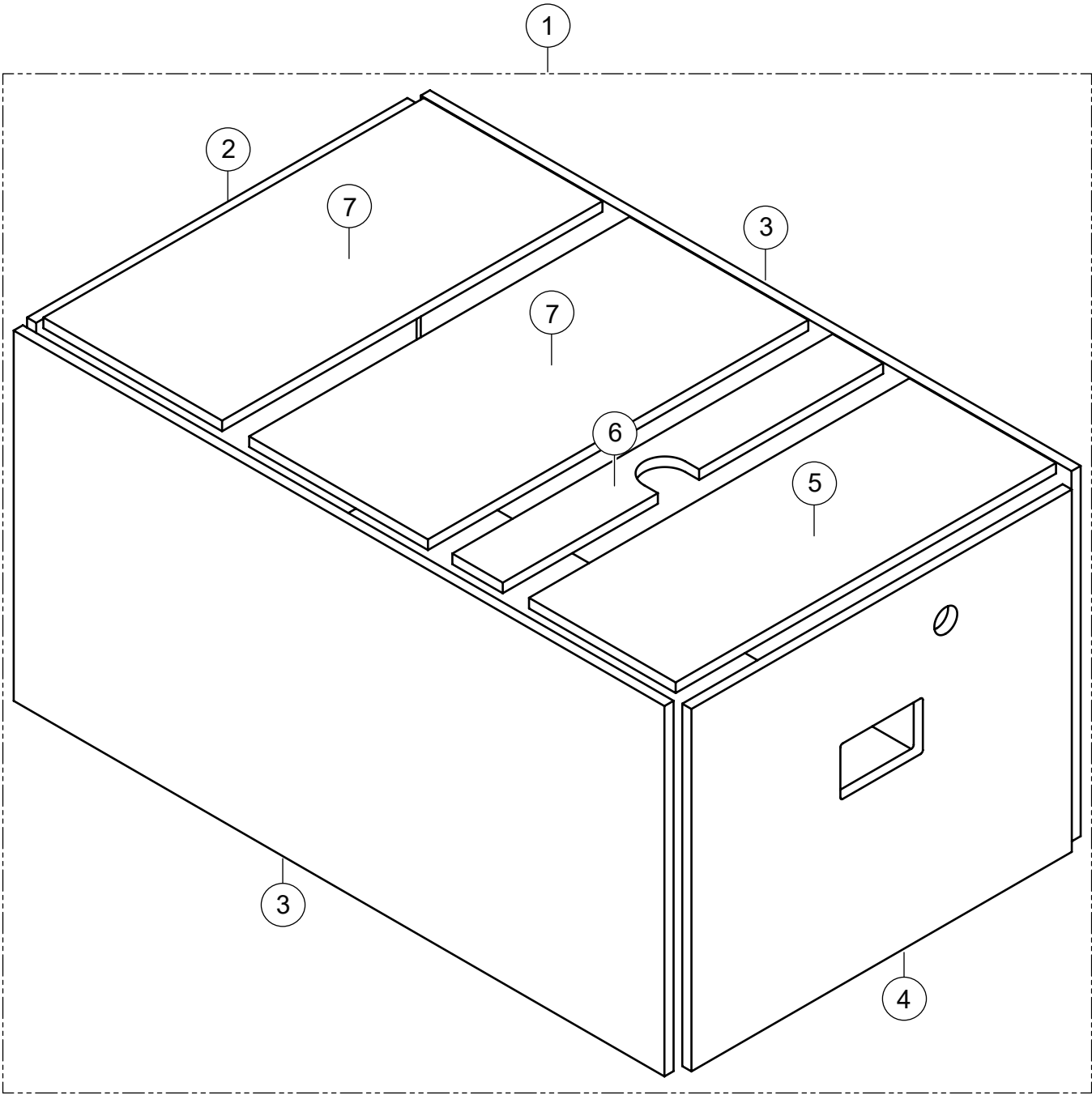
CABINET ASSY.



CABINET ASSY.

<u>NO.</u>	<u>PART NO.</u>	<u>PART NAME</u>	<u>QTY.</u>	<u>REMARKS</u>
1	34341	NUT, BLIND HALF-HEX, 1/4-20	6	
2	EE16349	LATCH, LEVER, ADJ, BLK. MATTE, W/LOCK	2	
3	EE52948	NUT NYLOC 10-32 SS	16	
4	EE60421	FRAME W/A, DEF HOSE CABINET	1	
5	EE60470	BUSHING, SNAP 1.75" HOLE	2	
6	EE62142	SCREW, BHSC, 10-32 X 7/16, SS	16	
7	EE62145	HINGE, 3X2X.09, 180° SS, LEFT MOUNT	2	
8	EE62146	HINGE, 3X2X.09, 180° SS, RIGHT MOUNT	2	
9	EE62147	DOOR, CABINET	2	

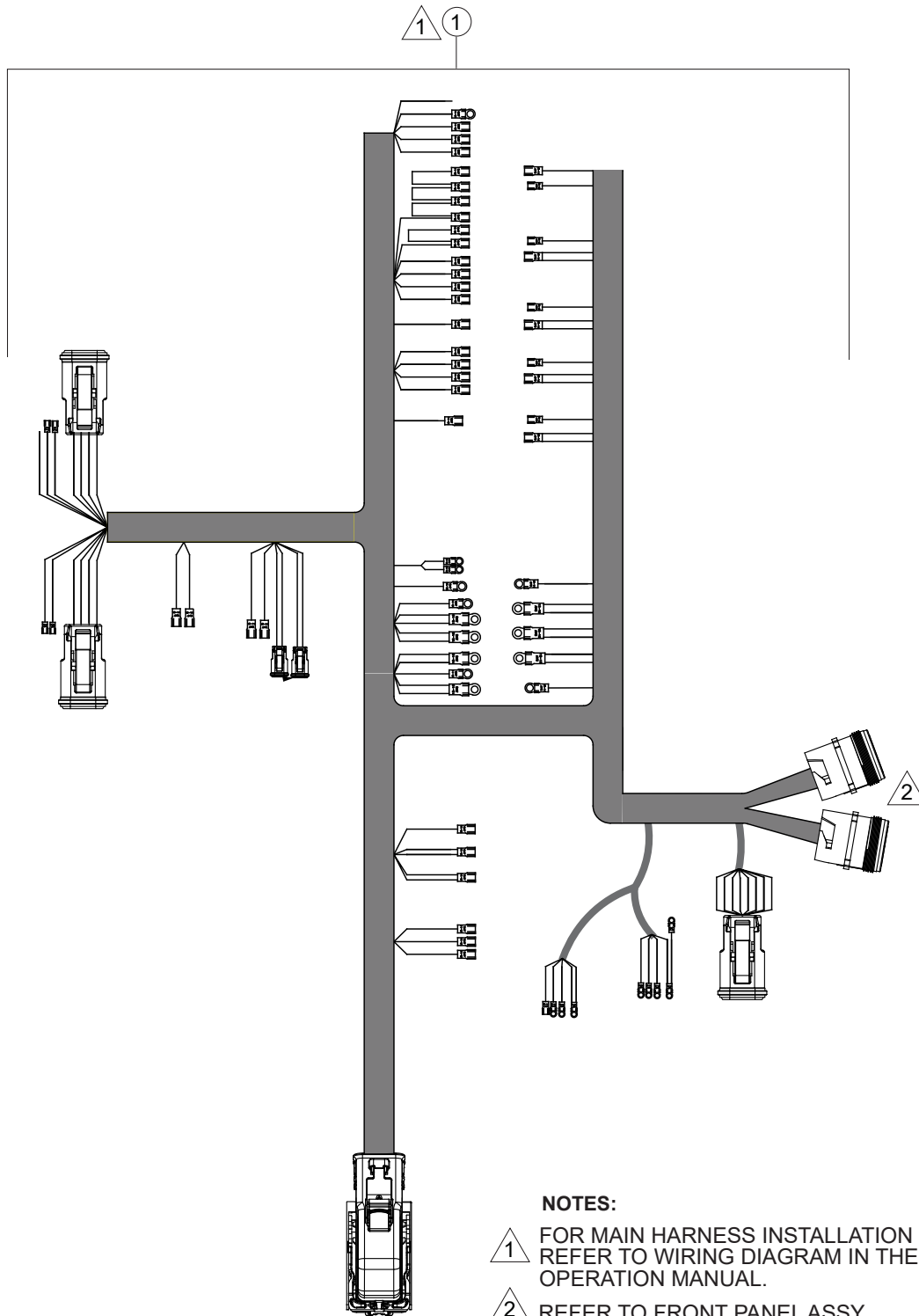
INSULATION KIT ASSY.



INSULATION KIT ASSY.

<u>NO.</u>	<u>PART NO.</u>	<u>PART NAME</u>	<u>QTY.</u>	<u>REMARKS</u>
1	EE64025	INSULATION KIT, 1" FOAM W/MYLAR AND PSA	1	INCLUDES ITEMS W/#
2#	EE64025-02	INSULATION, BACK	1	
3#	EE64025-01	INSULATION, SIDE	2	
4#	EE64025-03	INSULATION, FRONT	1	
5#	EE64025-05	INSULATION, TOP-FRONT	1	
6#	EE64025-06	INSULATION, 5.5X41.5 TOP	1	
7#	EE64025-07	INSULATION, 19.5X41.5 TOP	2	

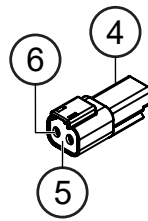
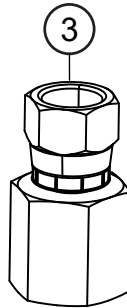
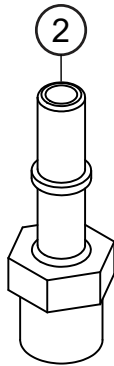
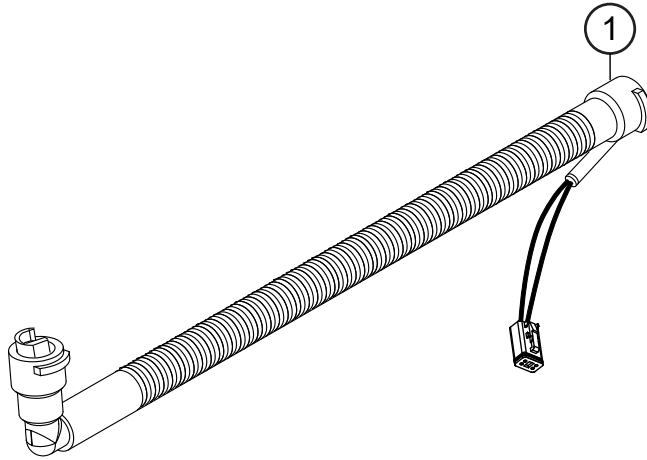
MAIN HARNESS ASSY.



MAIN HARNESS ASSY.

<u>NO.</u>	<u>PART NO.</u>	<u>PART NAME</u>	<u>QTY.</u>	<u>REMARKS</u>
1	EE61170	MAIN HARNESS	1	

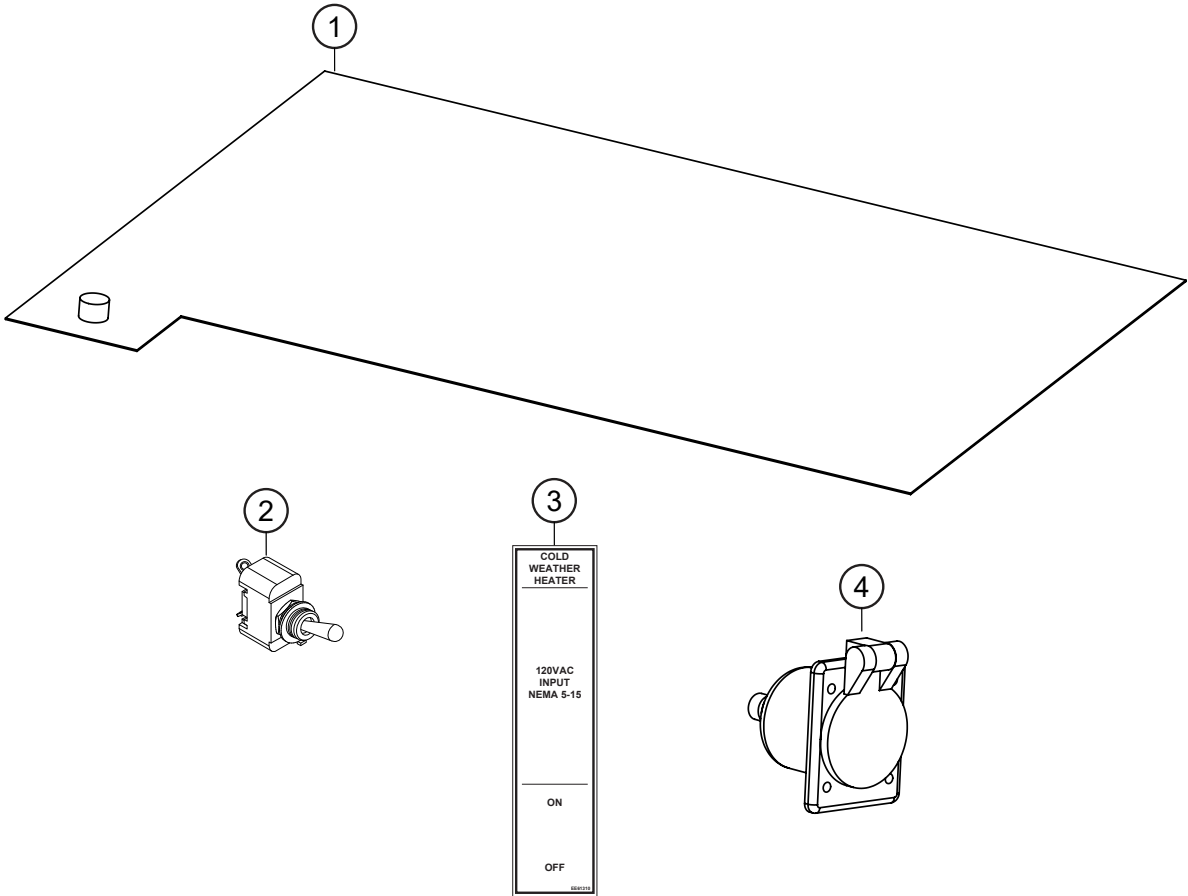
DEF HOSE HEAT ASSY. (OPTION)



DEF HOSE HEAT ASSY. (OPTION)

<u>NO.</u>	<u>PART NO.</u>	<u>PART NAME</u>	<u>QTY.</u>	<u>REMARKS</u>
1	EE60369	HOSE HEATED, STR. 90° 3/8" X 6 M 12V	1	
2	EE60329	FITTING, STR. 3/8" SAE J2044 X 3/8" NPT SS	2	
3	EE60334	FITTING, STR. 3/8" FP X 3/8" FJS SS	1	
4	EE44345	PLUG, DT SERIES 2 SOCKET	1	
5	EE44346	WEDGE, DT SERIES 2 SOCKET PL	1	
6	EE37738	PIN, SOLID NICKEL SIZE 16 14AWG	2	

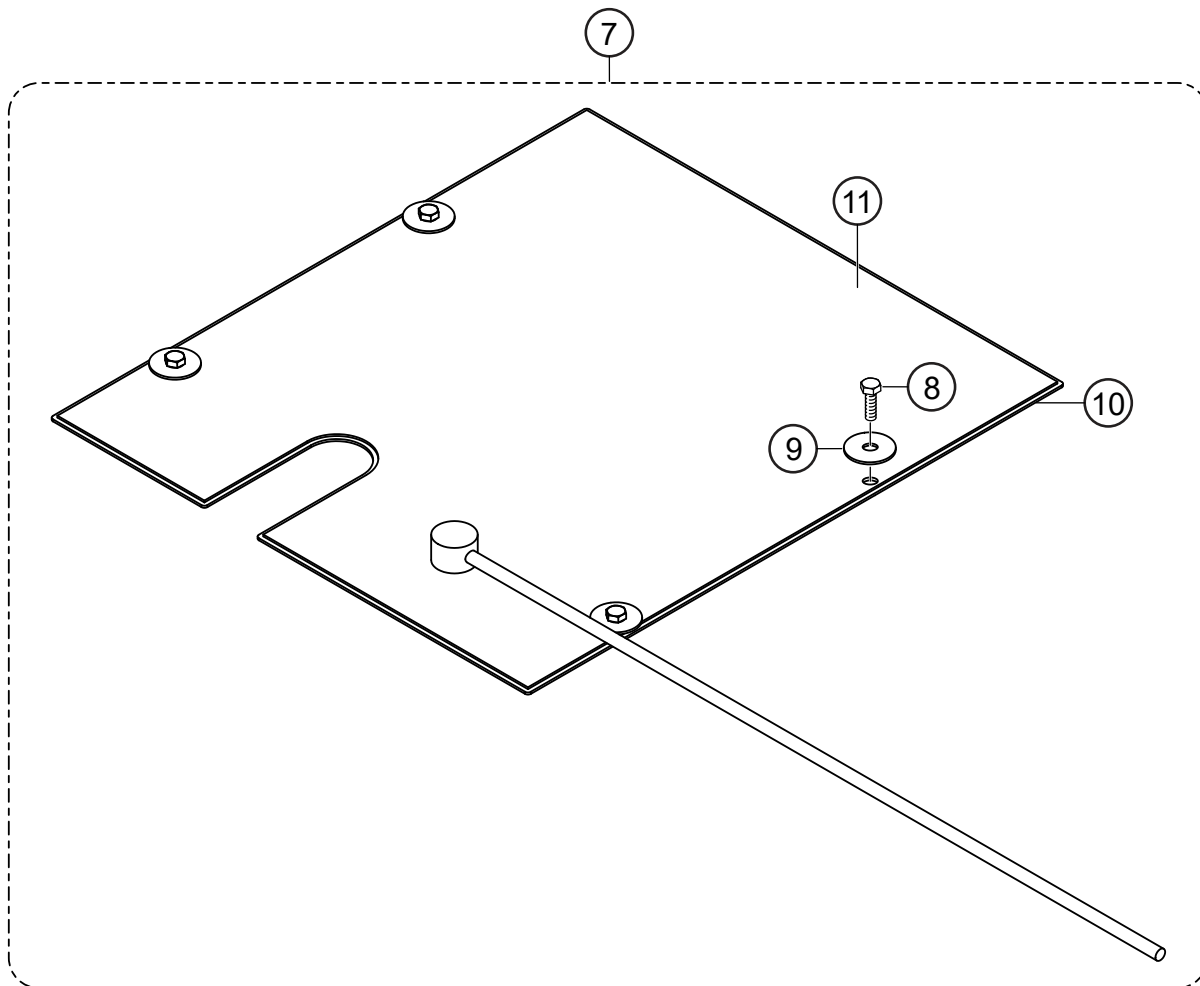
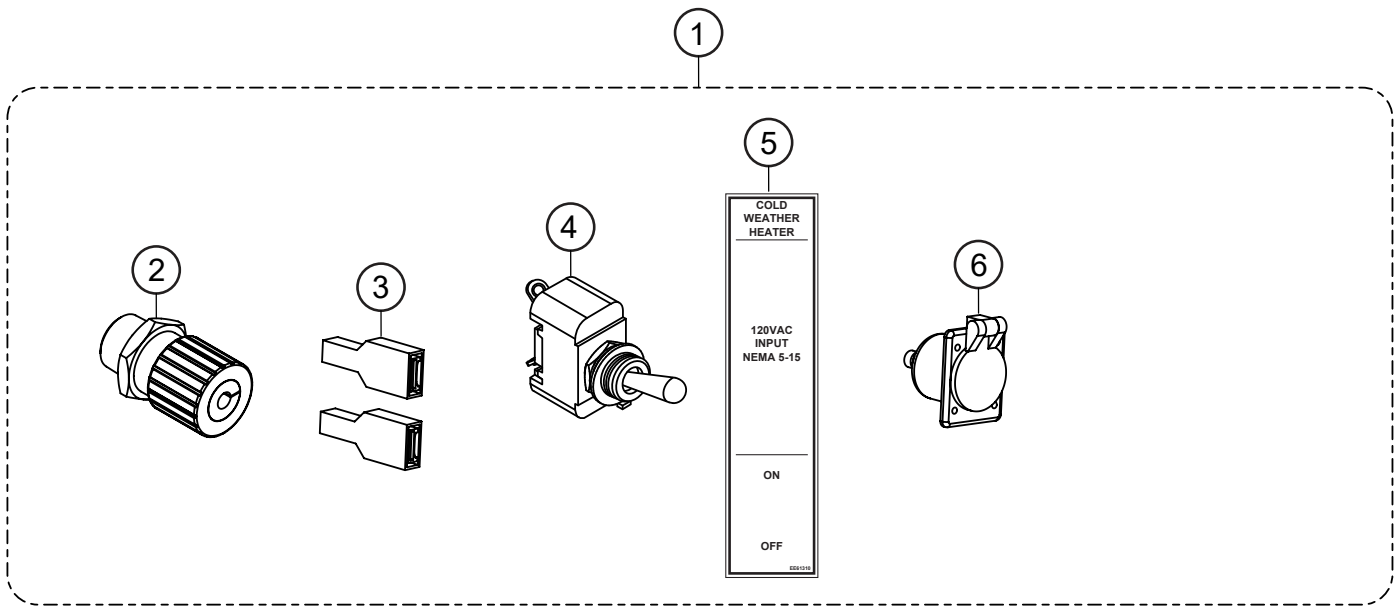
DEFTANK HEATPAD ASSY. (OPTION)



DEFTANK HEATPAD ASSY. (OPTION)

<u>NO.</u>	<u>PART NO.</u>	<u>PART NAME</u>	<u>QTY.</u>	<u>REMARKS</u>
1	EE61109	HEAT PAD, SILICONE 1500W 115VAC	1	
2	EE24074	SWITCH, TOGGLE 1 POLE 2 POS.	1	
3	EE61310	DECAL; DEFTANK COLD WEATHER HTR.	1	
4	EE6099	INLET REC. COVER, MALE 15A	1	

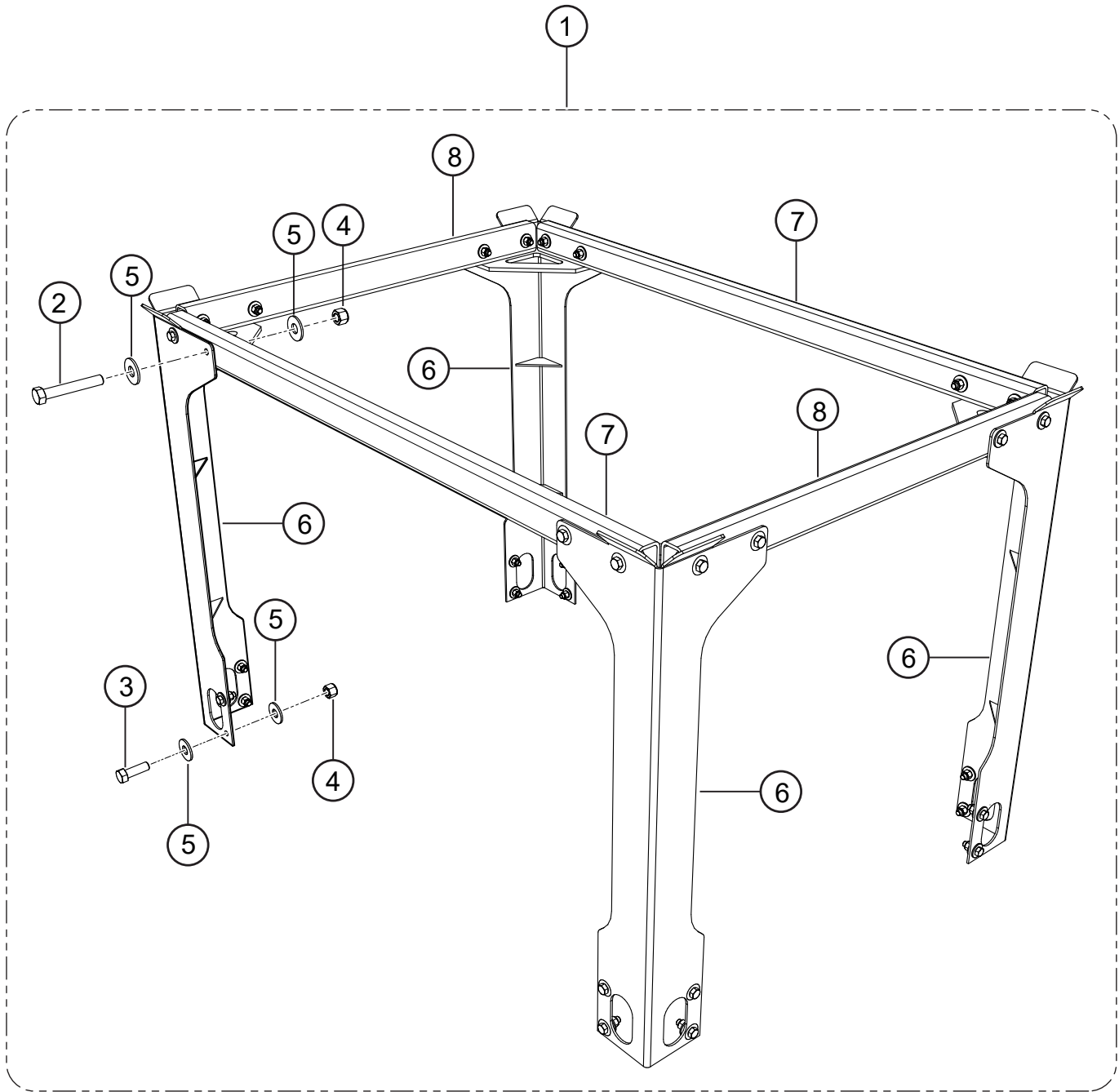
DEF HEAT PAD ASSY. (OPTION)



DEF HEAT PAD ASSY. (OPTION)

<u>NO.</u>	<u>PART NO.</u>	<u>PART NAME</u>	<u>QTY.</u>	<u>REMARKS</u>
1	EE62296	HEAT PAD KIT, DEF SYSTEM	1.....	INCLUDES ITEMS W/#
2#	EE62282	CORD GRIP, .25-.35 CORD OD.	1	
3#	11947	TERMINAL, FEM. PUSH 16-14 INSUL.	2	
4#	EE24074	SWITCH, TOGGLE 1 POLE 2 POS.	1	
5#	EE61310	DECAL; DEFTANK COLD WEATHER HTR.	1	
6#	EE6099	INLET REC. COVER, MALE 15A	1	
7	EE63894	HEAT PLATE ASSY., DEF SYSTEM.....	1.....	INCLUDES ITEMS W/%
8%	0131 A	SCREW, HHC 1/4-20 X 3/4	4	
9%	10930	WASHER, FENDER	4	
10%	EE63895	BACK PLATE, HEAT PAD	1	
11%	EE62017	HEAT PAD, SILICONE 1200W	1	

STACKING ASSY. (OPTION)



STACKING ASSY. (OPTION)

<u>NO.</u>	<u>PART NO.</u>	<u>PART NAME</u>	<u>QTY.</u>	<u>REMARKS</u>
1	DEFTANKSTACKKITP	STACK ASSY., BLACK PAINTED.....	1.....	INCLUDES ITEMS W/#
1	DEFTANKSTACKKITG	STACK ASSY., GALVANIZED.....	1.....	INCLUDES ITEMS W/%
2#%	06503-026	SCREW, HHC 1/2-13 X 3-1/4	16	
3#%	5218	SCREW, HHC1/2-13 X 1-1/2	16	
4#%	10176	NUT, NYLOC 1/2-13	32	
5#%	13211	WASHER, FLAT 1/2 USS	64	
6#	EE61385	POST W/A, CAGE, DEF TANK	4	
6%	EE61404	POST W/A, CAGE, DEF TANK	4	
7#	EE61386	BEAM, SIDE, DEF TANK CAGE	2	
7%	EE61405	BEAM, SIDE, DEF TANK CAGE	2	
8#	EE61387	BEAM, END, DEF TANK CAGE	2	
8%	EE61406	BEAM, END, DEF TANK CAGE	2	

PARTS MANUAL

HERE'S HOW TO GET HELP

PLEASE HAVE THE MODEL AND SERIAL
NUMBER ON-HAND WHEN CALLING

UNITED STATES

Multiquip Inc.

(310) 537- 3700
6141 Katella Avenue Suite 200
Cypress, CA 90630
E-MAIL: mq@multiquip.com
WEBSITE: www.multiquip.com

CANADA

Multiquip

(450) 625-2244
4110 Industriel Boul.
Laval, Quebec, Canada H7L 6V3
E-MAIL: infocanada@multiquip.com

UNITED KINGDOM

Multiquip (UK) Limited Head Office

0161 339 2223
Unit 2, Northpoint Industrial Estate,
Globe Lane,
Dukinfield, Cheshire SK16 4UJ
E-MAIL: sales@multiquip.co.uk

© COPYRIGHT 2024, MULTIQUEIP INC.

Multiquip Inc, the MQ logo and the MQ Power logo are registered trademarks of Multiquip Inc. and may not be used, reproduced, or altered without written permission. All other trademarks are the property of their respective owners and used with permission.

This manual MUST accompany the equipment at all times. This manual is considered a permanent part of the equipment and should remain with the unit if resold.

The information and specifications included in this publication were in effect at the time of approval for printing. Illustrations, descriptions, references and technical data contained in this manual are for guidance only and may not be considered as binding. Multiquip Inc. reserves the right to discontinue or change specifications, design or the information published in this publication at any time without notice and without incurring any obligations.

