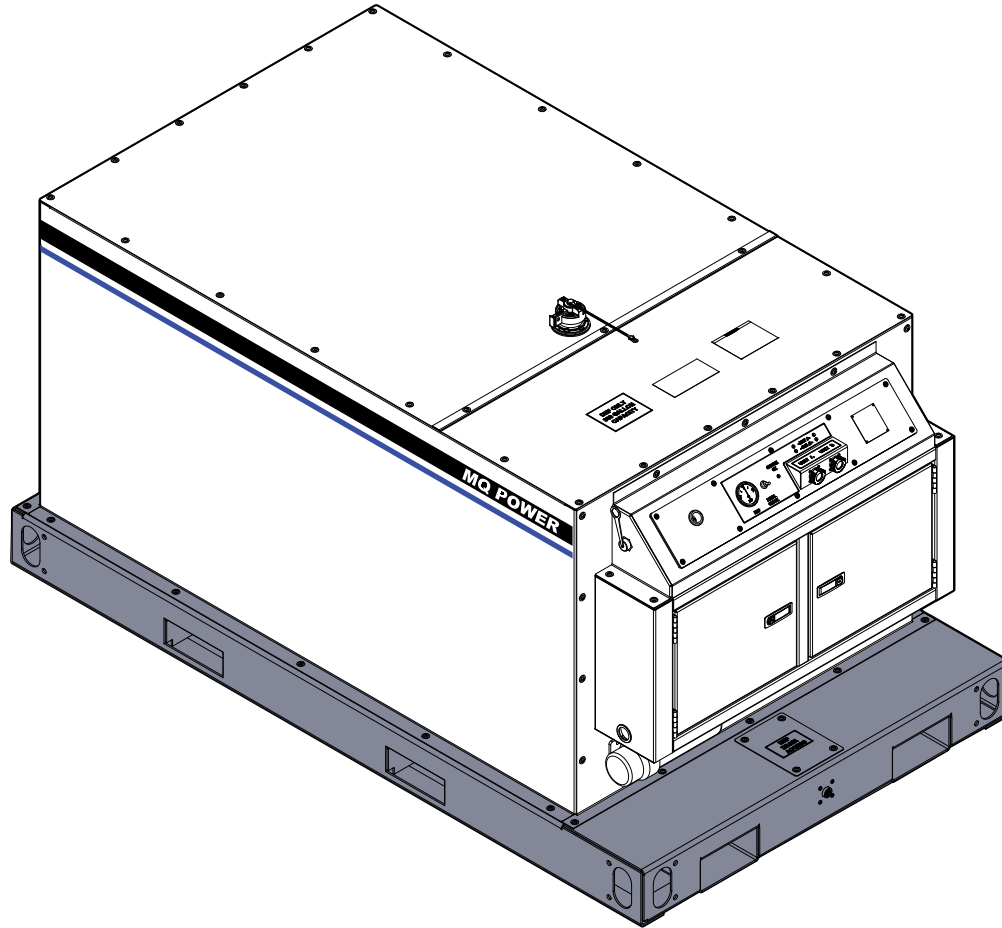




DEFTANK302

300-Gallon Replenishment System



STANDARD FEATURES

- CANBUS DEF level monitoring – for approved Tier 4 Final engines.
- Designed to automatically maintain DEF fluid level for up to two engine assemblies simultaneously with no operator involvement.
- Digital controller provides automated sensing, pumping, purging and shutdown to maintain DEF tank levels.
- Heavy duty, hot dipped galvanized, skid base.
- Easy access drain port for serviceability.
- Internal 300 Gallons (1135 liters) DEF Tank, Poly.
- Lockable storage compartments on top and front panels secure accessories.
- Intuitive control panel that provides fluid level and critical operating information.
- Fault code indicators for ease of troubleshooting and maintenance.
- Four corner tie downs are provided for ease of transport.
- Fork pockets integrated on all sides of the skid base.
- Easy to fill, top mounted tank port, for quick access.
- Rugged, textured powder coated, housing for longevity in extreme environments.
- 20-foot DEF Fill Hose(s).
- Easy access drain port for serviceability.



DEFTANK302

300-Gallon Replenishment System

SPECIFICATIONS

Unit Specifications	
	DEFTANK302
System Voltage Requirements	12 VDC MAX
Amperage Requirements	5.0 Amps x 2
Flow Rate	.75 GPM x 2
Fluid Pressure	5 PSI MAX
External Hose Length	25 FT x 2
Communication Cable	25 FT x 2

DEF Capacity	
Tank Capacity	300 gallons (1135 liters)
Fluid Type	Diesel Exhaust Fluid /Complies with ISO-2224

DEF Tank Lift and Stack Assemblies	
Model	DEFSTACK300G
Material	Mild steel
Stacking Capacity	1 unit max.
Finish	Galvanized
Approx. Weight	280 lb. (127 kg)

DEF Tank Heating Pad	
Model	DEFHEATPAD
Material	Fiberglass-reinforced silicone rubber
Wattage	1,200 watts
Thermostat Operation Range	34°F to 45°F
Inlet Receptacle	120 VAC / 15 amps
Rated Amperage	12.5 amps
Rated Voltage	120 VAC
Switchable Input	On/Off
Dimensions	25 × 36 in. (635 × 914 mm)

DEF Heated Hose	
Model	DEFHOSEHEAT
Material	Compatible with ISO 22241
Material Temp. Range	- 40°F to 248°F
Wattage	132 watts
Thermostat Operation Range	34 °F to 45 °F
Inlet Receptacle	Deutsch connector DT04-2P with W2P
Rated Amperage	11.0 amps
Rated Voltage	12 VDC
Hose Length	19.7 ft. (6.00 m)
OD	0.57 in. (14.5 mm)
ID	0.21 in. (5.33 mm)
Above specifications are for each DEF heated hose.	

WARRANTY

24 months from date of purchase.

NOTICE

Specifications sheet is subject to change and is not intended for use in installation design.



DEFTANK302

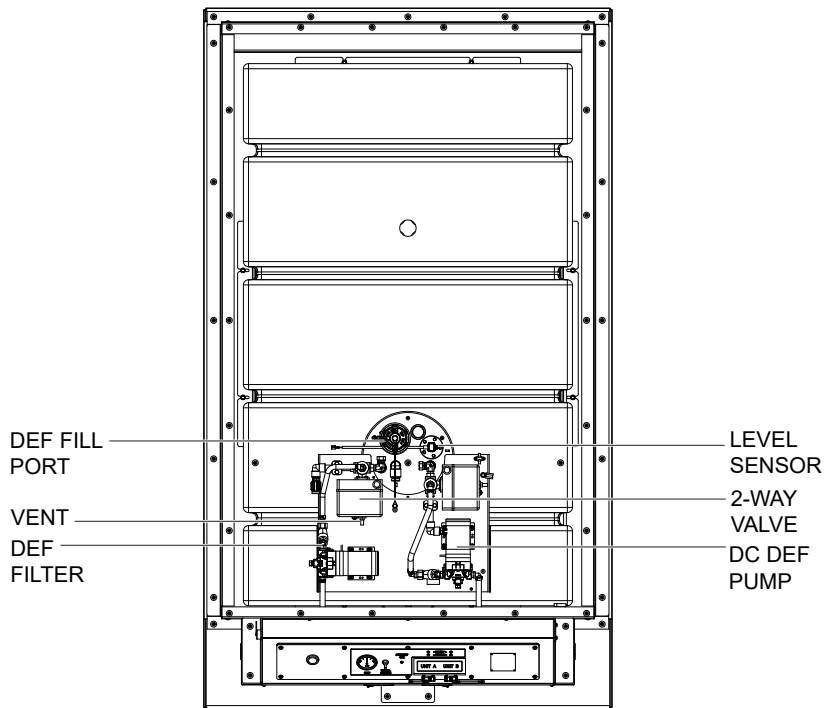
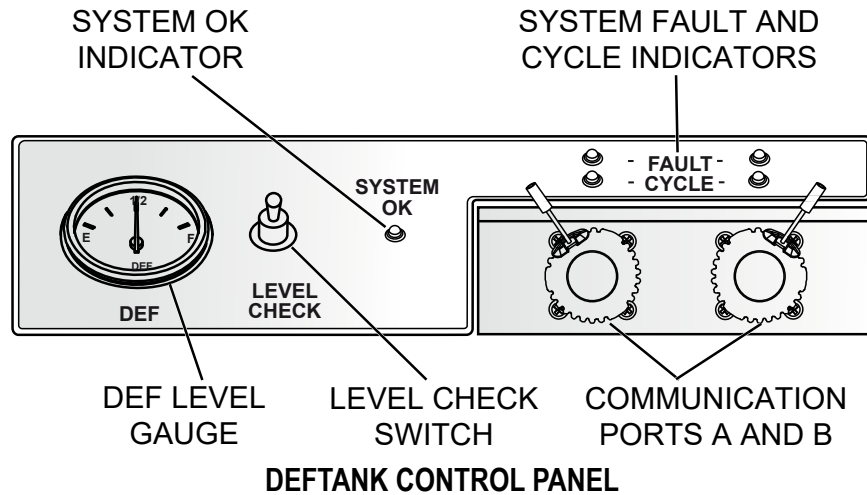
300-Gallon Replenishment System

OPTIONAL EQUIPMENT

- DEFHOSEHEAT — Heated Hose 20 ft (1 each)
- DEFSTACK300G — 4-Point Lift & Stack Assy (Galvanized)
- DEFHEATPAD — Heat Pad 1200W 120VAC

GENERATOR ADAPTER KITS

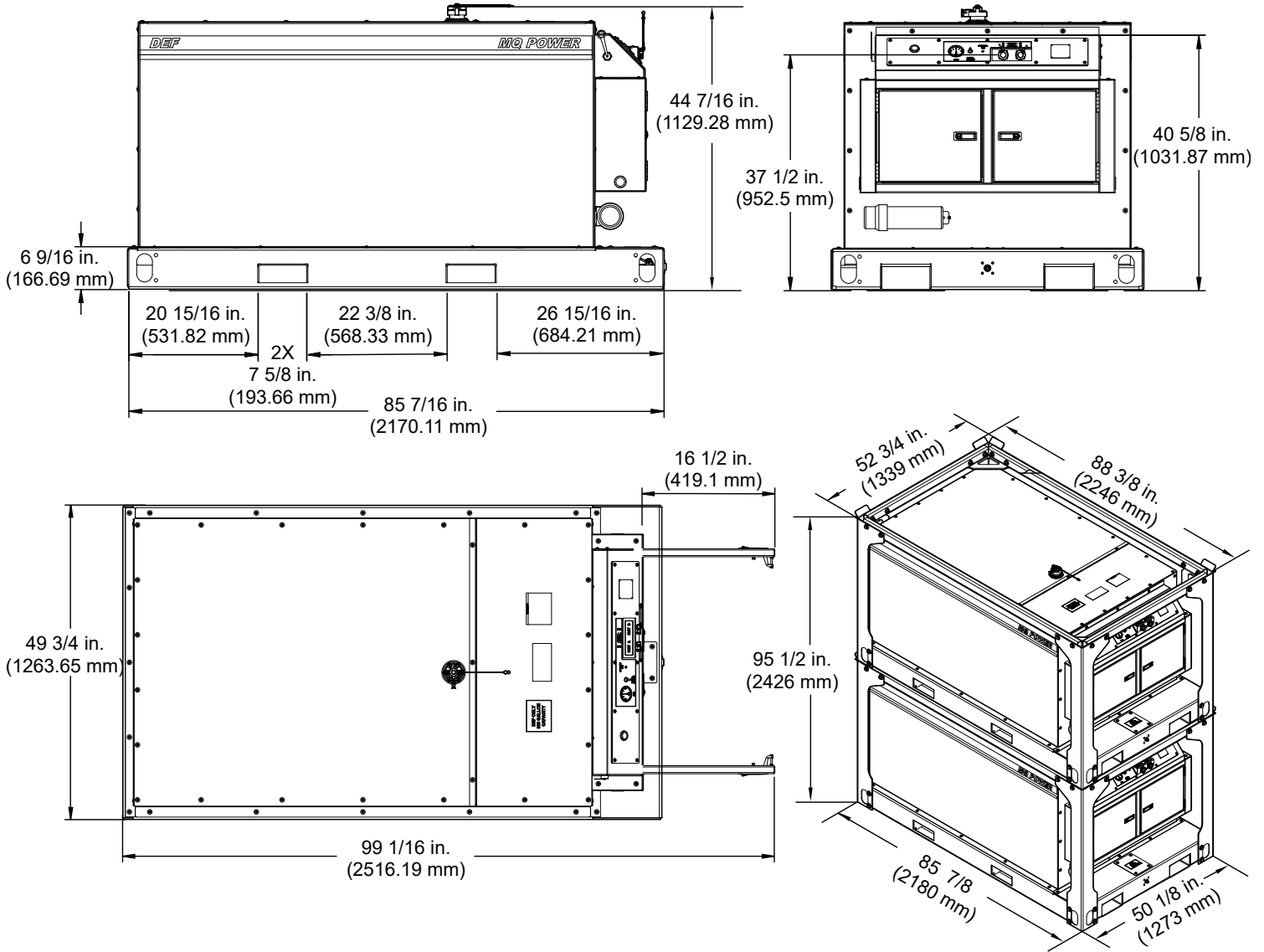
- DEFADAPTERKITA — DEF Unit Connection Kit, DCA70-125 T4F
- DEFADAPTERKITB — DEF Unit Connection Kit, DCA70JD T4F
- DEFADAPTERKITC — DEF Unit Connection Kit, DCA150-300 T4F
- DEFADAPTERKITD — DEF Unit Connection Kit, DCA400 T4F
- DEFADAPTERKITE — DEF Unit Connection Kit, DCA600 T4F





DEFTANK302

300-Gallon Replenishment System



Weight

Dry Weight	1,452 lb. (659 kg)
Wet Weight	4,590 lb. (2,082 kg)
Max. Lifting Eye Capacity	4,750 lbs. (2,155 kg)

NOTICE

Features and Specifications are subject to change without notice.



MULTIQUIP
 6141 Katella Avenue Suite 200
 Cypress, CA 90630
 310-537-3700
 E-MAIL: mq@multiquip.com
 WEBSITE: www.multiquip.com