

PARTS MANUAL



MODEL DIS100SSK4F **Air Compressor** **(KUBOTA D1005-E4B DIESEL ENGINE)**

PARTS LIST NO. E2871203804A

Revision #0 (06/16/23)

To find the latest revision of this publication or associated operation manual, visit our website at: www.mqpower.com



THIS MANUAL MUST ACCOMPANY THE EQUIPMENT AT ALL TIMES.

TABLE OF CONTENTS

DIS100SSK4F Air Compressor

Explanation Of Code In Remarks Column..... 4
Suggested Spare Parts 5

Component Drawings

Air End 1 Assembly 6-7
Air End 2 Assembly 8-9
Oil Chamber Assembly 10-11
Minimum Pressure Valve Assembly 12-13
Speed Regulator Assembly 14-15
Piping 1 Assembly 16-17
Bypass Thermo Valve Assembly 18-19
Piping 2 Assembly 20-23
Engine And Radiator Assembly 24-27
Engine Operation Assembly 28-31
Battery Assembly 32-33
Muffler Assembly 34-35
Fuel Tank Assembly 36-37
Enclosure 1 Assembly 38-39
Enclosure 2 Assembly 40-41
Rubber Seals Assembly 42-43
Trailer Assembly 44-45
Nameplate And Decals Assembly 46-47

NOTICE
Specifications and part numbers are subject to change without notice.

EXPLANATION OF CODE IN REMARKS COLUMN

The following section explains the different symbols and remarks used in the Parts section of this manual. Use the help numbers found on the back page of the manual if there are any questions.

NOTICE

The contents and part numbers listed in the parts section are subject to change without notice. Multiquip does not guarantee the availability of the parts listed.

SAMPLE PARTS LIST

NO.	PART NO.	PART NAME
1	12345	BOLT1INCLUDES ITEMS W/%
2%		WASHER, 1/4 IN.NOT SOLD SEPARATELY
2%	12347	WASHER, 3/8 IN. ...1MQ-45T ONLY
3	12348	HOSEA/R ...MAKE LOCALLY
4	12349	BEARING1S/N 2345B AND ABOVE

NO. Column

Unique Symbols — All items with same unique symbol (@, #, +, %, or >) in the number column belong to the same assembly or kit, which is indicated by a note in the “Remarks” column.

Duplicate Item Numbers — Duplicate numbers indicate multiple part numbers, which are in effect for the same general item, such as different size saw blade guards in use or a part that has been updated on newer versions of the same machine.

NOTICE

When ordering a part that has more than one item number listed, check the remarks column for help in determining the proper part to order.

PART NO. Column

Numbers Used — Part numbers can be indicated by a number, a blank entry, or TBD.

TBD (To Be Determined) is generally used to show a part that has not been assigned a formal part number at the time of publication.

A blank entry generally indicates that the item is not sold separately or is not sold by Multiquip. Other entries will be clarified in the “Remarks” Column.

QTY. Column

Numbers Used — Item quantity can be indicated by a number, a blank entry, or A/R.

A/R (As Required) is generally used for hoses or other parts that are sold in bulk and cut to length.

A blank entry generally indicates that the item is not sold separately. Other entries will be clarified in the “Remarks” Column.

REMARKS Column

Some of the most common notes found in the “Remarks” Column are listed below. Other additional notes needed to describe the item can also be shown.

Assembly/Kit — All items on the parts list with the same unique symbol will be included when this item is purchased.

Indicated by:

“INCLUDES ITEMS W/(unique symbol)”

Serial Number Break — Used to list an effective serial number range where a particular part is used.

Indicated by:

“S/N XXXXX AND BELOW”

“S/N XXXX AND ABOVE”

“S/N XXXX TO S/N XXX”

Specific Model Number Use — Indicates that the part is used only with the specific model number or model number variant listed. It can also be used to show a part is NOT used on a specific model or model number variant.

Indicated by:

“XXXXX ONLY”

“NOT USED ON XXXX”

“Make/Obtain Locally” — Indicates that the part can be purchased at any hardware shop or made out of available items. Examples include battery cables, shims, and certain washers and nuts.

“Not Sold Separately” — Indicates that an item cannot be purchased as a separate item and is either part of an assembly/kit that can be purchased, or is not available for sale through Multiquip.

SUGGESTED SPARE PARTS

DIS100SSI4F AIR COMPRESSOR W/ KUBOTA D1005-E4B DIESEL ENGINE

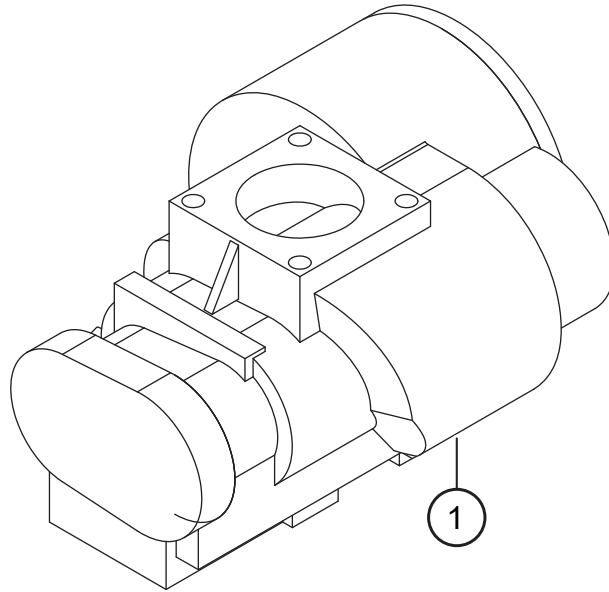
1 TO 3 UNITS

Qty.	P/N	Description
3	Y0602046635	SAFETY ELEMENT (ENGINE)
3	.0602046611	PRIMARY ELEMENT (ENGINE)
3	P822769	SAFETY ELEMENT (COMPRESSOR)
3	PMAF25436	PRIMARY ELEMENT (COMPRESSOR)
3	E2924000214	CARTRIDGE, OIL SEPARATOR FILTER, (COMPRESSOR)
3	E2924000354	CARTRIDGE, OIL FILTER, (COMPRESSOR)
3	W6143216004	FILTER (OIL CHAMBER)
3	.0155600123	O-RING (MINIMUM PRESSURE VALVE)
3	Y0155500132	O-RING (MINIMUM PRESSURE VALVE)
5	RD81951260	FUEL FILTER (PRE)
5	.1522443010	FUEL FILTER (MAIN)
3	Y0602023236	FUEL FEED PUMP
5	.0605505070	CAP, FUEL TANK
1	E2311601603	RADIATOR HOSE, UPPER
1	E2311601703	RADIATOR HOSE, LOWER
1	.0601806642	FUSE, 5A
1	.0601806640	FUSE, 65 AMP
3	.0601824527	RELAY
3	.0601824525	RELAY
3	.1641565602	GLOW RELAY
2	.1742263701	KEY

NOTICE

Part number on this Suggested Spare Parts list may supersede/replace the P/N shown in the text pages of this book.

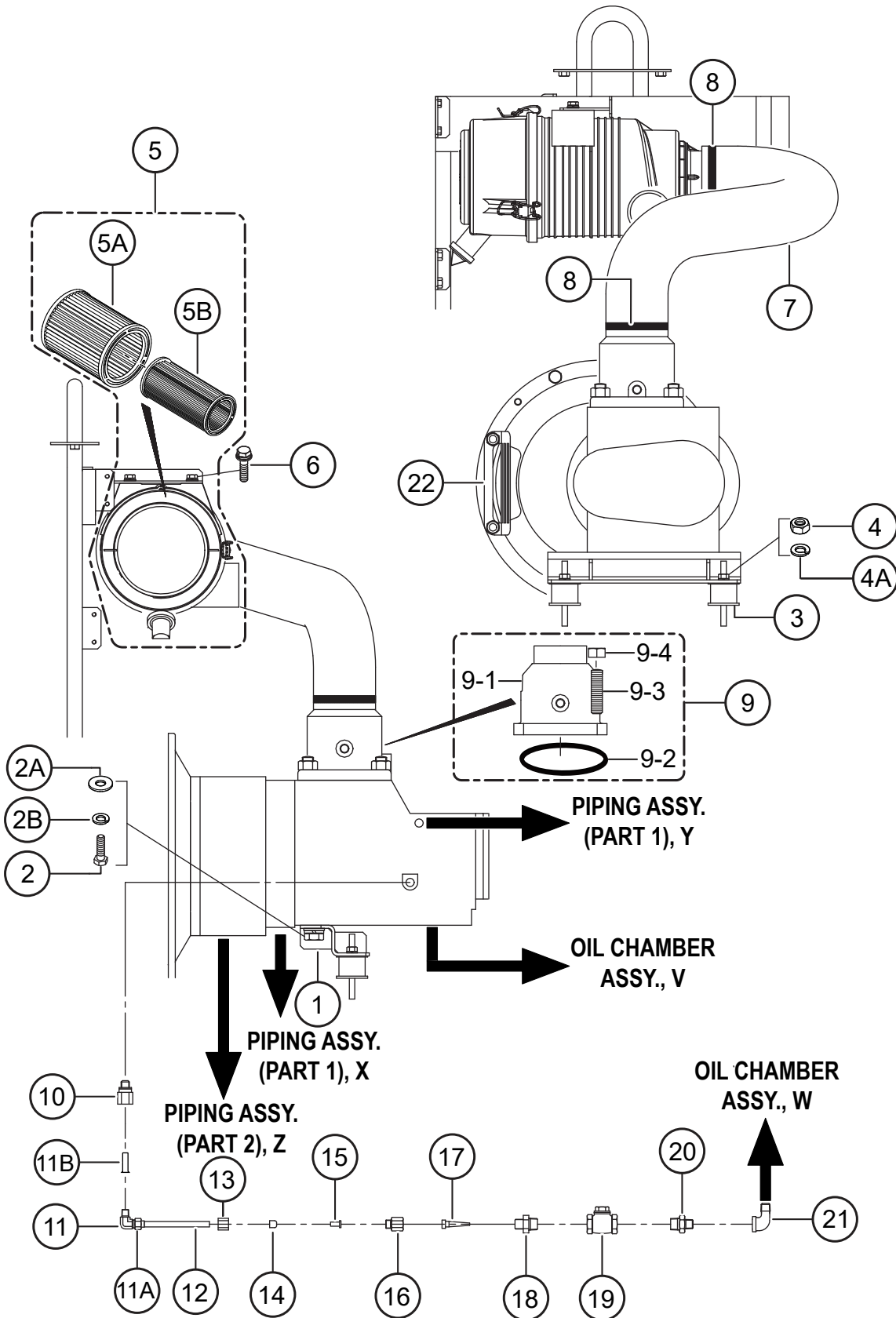
AIR END 1 ASSY.



AIR END 1 ASSY.

<u>NO.</u>	<u>PART NO.</u>	<u>PART NAME</u>	<u>QTY.</u>	<u>REMARKS</u>
1	E2924000434	AIR END ASSY.	1	

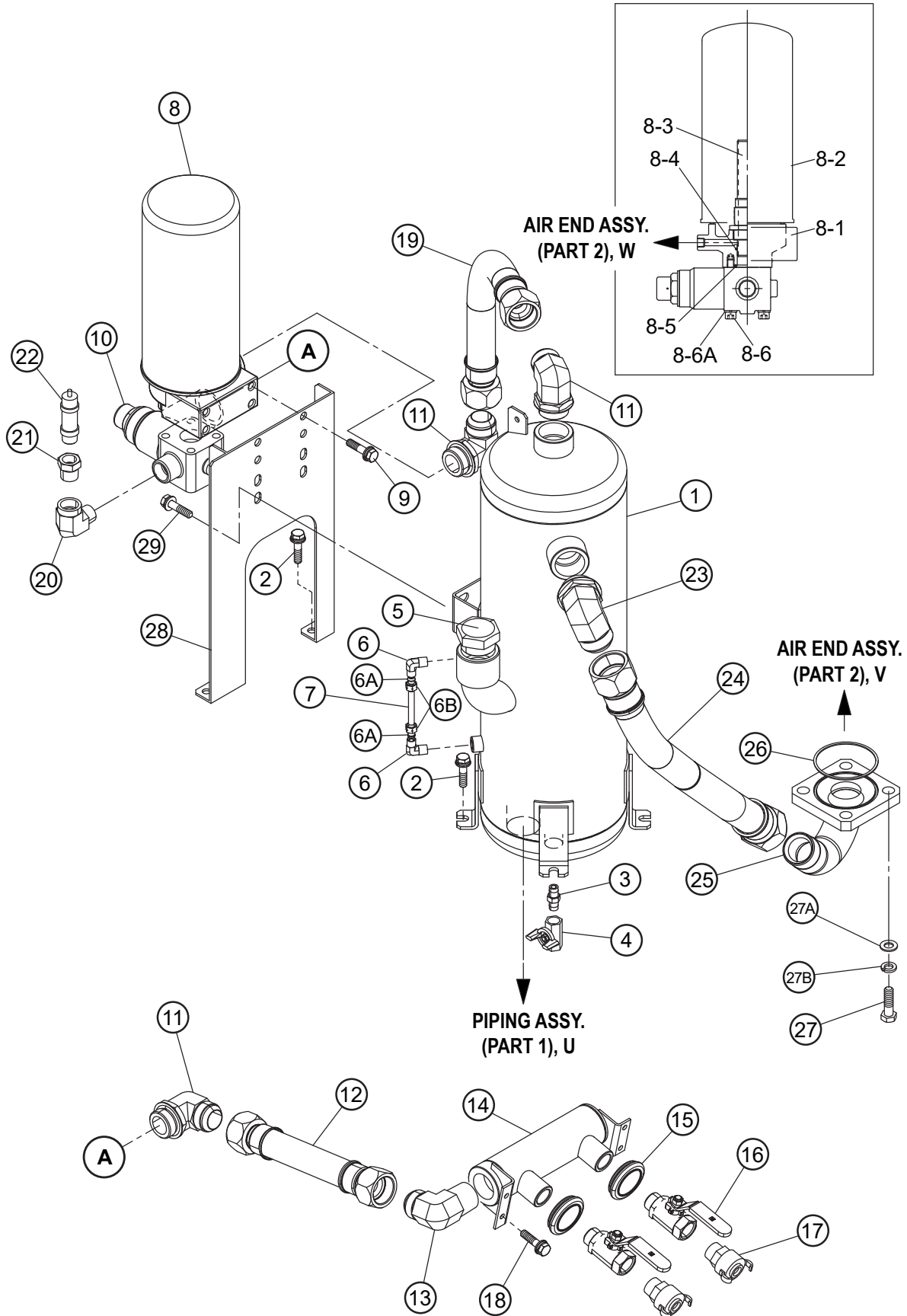
AIR END 2 ASSY.



AIR END 2 ASSY.

<u>NO.</u>	<u>PART NO.</u>	<u>PART NAME</u>	<u>QTY.</u>	<u>REMARKS</u>
1	E2151100804	AIR END FOOT	1	
2	Y0013616035	HEX. HEAD BOLT	2	
2A	0041216000	WASHER	2	
2B	0040016000	LOCK WASHER	2	
3	Y0605000046	RUBBER SUSPENSION	2	
4	020108060	HEX. HEAD NUT	2	REPLACES P/N 0030008000
4A	0040008000	LOCK WASHER	2	
5	Y0602046545	AIR CLEANER	1	INCLUDES ITEMS W/#
5A#	PMAF25436	PRIMARY ELEMENT	1	REPLACES P/N P822768
5B#	P822769	SAFETY ELEMENT	1	REPLACES P/N Y0602046633
6	011008020	HEX. HEAD BOLT	2	REPLACES P/N 0016908020
7	E2141502203	COMPRESSOR INTAKE HOSE	1	
8	0605515146	HOSE BAND	2	
9	E2924000074	INLET VALVE KIT	1	INCLUDES ITEMS W/%
9-1%	Y0603043250	INLET VALVE	1	
9-2%	Y0603355011	O-RING	1	
9-3%	Y0603043260	STUD BOLT	4	
9-4%	Y0603043261	HEX. HEAD NUT	4	
10	E2924000514	ADAPTOR	1	
11	Y0603301038	ELBOW UNION	1	
11A	0603303021	NUT	1	
11B	0603302021	SLEEVE	1	
12	Y0190400550	NYLON TUBE	1	
13	0603303010	NUT	1	REPLACES P/N 0603303001
14	0603302001	SLEEVE	1	
15	0603304000	INSERT	1	
16	W6013217004	SOCKET NIPPLE	1	
17	W6143216004	FILTER	1	
18	W6013215004	NIPPLE	1	
19	0126004005	CHECK VALVE	1	REPLACES P/N 0120304005
20	Y0131604020	REDUCING NIPPLE, 3/8"X1/4"	1	
21	0130202000	STREET ELBOW, 1/4"	1	
22	E2154800704	COUPLING COVER	3	

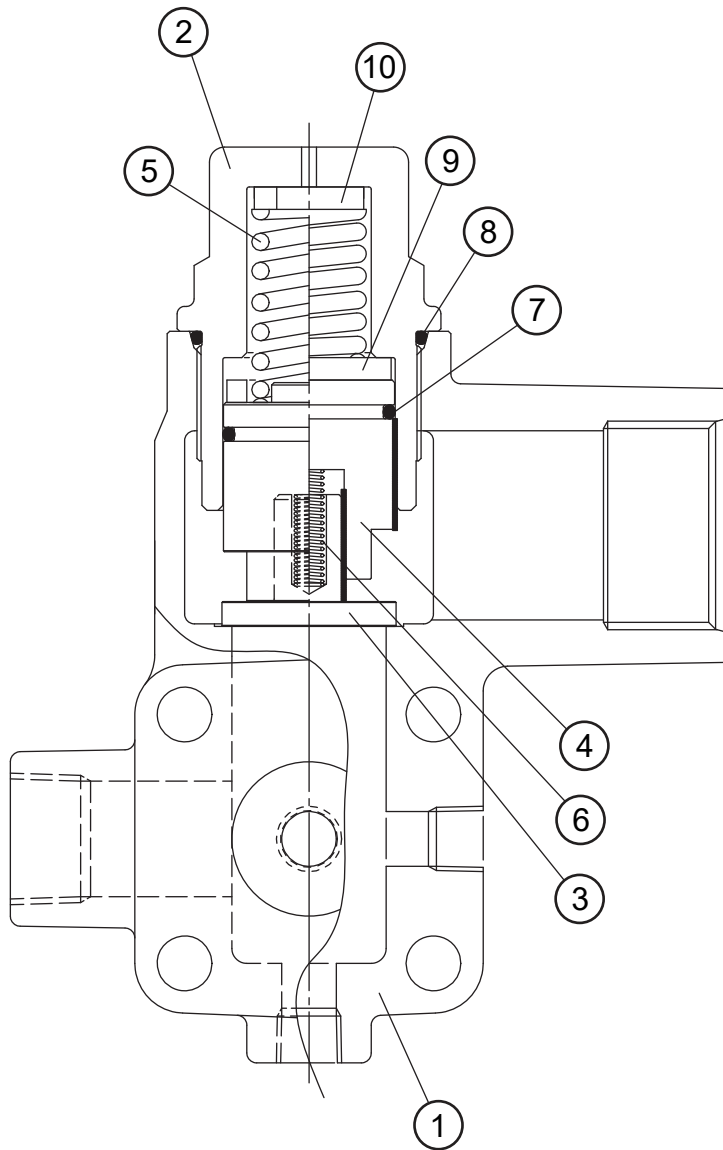
OIL CHAMBER ASSY.



OIL CHAMBER ASSY.

<u>NO.</u>	<u>PART NO.</u>	<u>PART NAME</u>	<u>QTY.</u>	<u>REMARKS</u>
1	E2624001902	AIR RECEIVER	1	
2	012010030	HEX HEAD BOLT.....	6.....	REPLACES P/N 0017110030
3	0603306384	PIPE NIPPLE	1	
4	0603325037	MINI BALL VALVE.....	1.....	REPLACES P/N Y0603325037
5	Y0603306761	O-RING PLUG	1	
6	Y0603301039	ELBOW UNION	2	
6A	0603302021	SLEEVE	2	
6B	0603303021	NUT	2	
7	Y0190400130	NYLON TUBE	1	
8	E2621001403	AIR SEPARATOR ASSY.	1	
8-1	E2624200202	ELEMENT BASE	1	
8-2	E2924000214	AIR OIL SEPARATOR BOX	1	
8-3	E2924000224	NIPPLE VST	1	
8-4	Y0155500123	O-RING	1	
8-5	Y0155500218	O-RING	1	
8-6	Y0018210080	HEX. SOCKET HEAD CAP SCREW	4	
8-6A	0040010000	LOCK WASHER	4	
9	0016910025	HEX. HEAD BOLT	4	
10	E2631002203	MINIMUM PRESSURE VALVE ASSY.	1	
11	Y0603306462	STRAIGHT THREAD ELBOW	3	
12	E2604205004	AIR HOSE	1	
13	Y0603306478	MALE ELBOW	1	
14	E2607104803	AIR MANIFOLD	1	
15	Y0601851774	GROMMET	2	
16	Y0603325034	BALL VALVE	2	
17	Y0603314110	UNIVERSAL FITTING	2	
18	0019208020	HEX HEAD BOLT	4	
19	E2604203204	AIR HOSE	1	
20	Y0603306236	STREET ELBOW, 3/4"	1	
21	Y0603306888	PIPE THREAD REDUCER, 3/4"×1/2"	1	
22	E2924000534	SAFETY AND RELIEF VALVE	1	
23	Y0603006463	STRAIGHT THREAD ELBOW	1	
24	E2604204904	DISCHARGE HOSE	1	
25	E2607201403	DISCHARGE PIPE	1	
26	Y0155500236	O-RING	1	
27	0013616040	HEX HEAD BOLT	4	
27A	0040016000	WASHER	4	
27B	0041216000	LOCK WASHER	4	
28	E2484001104	SUPPORT LEG	1	
29	0016910025	HEX HEAD BOLT	4	

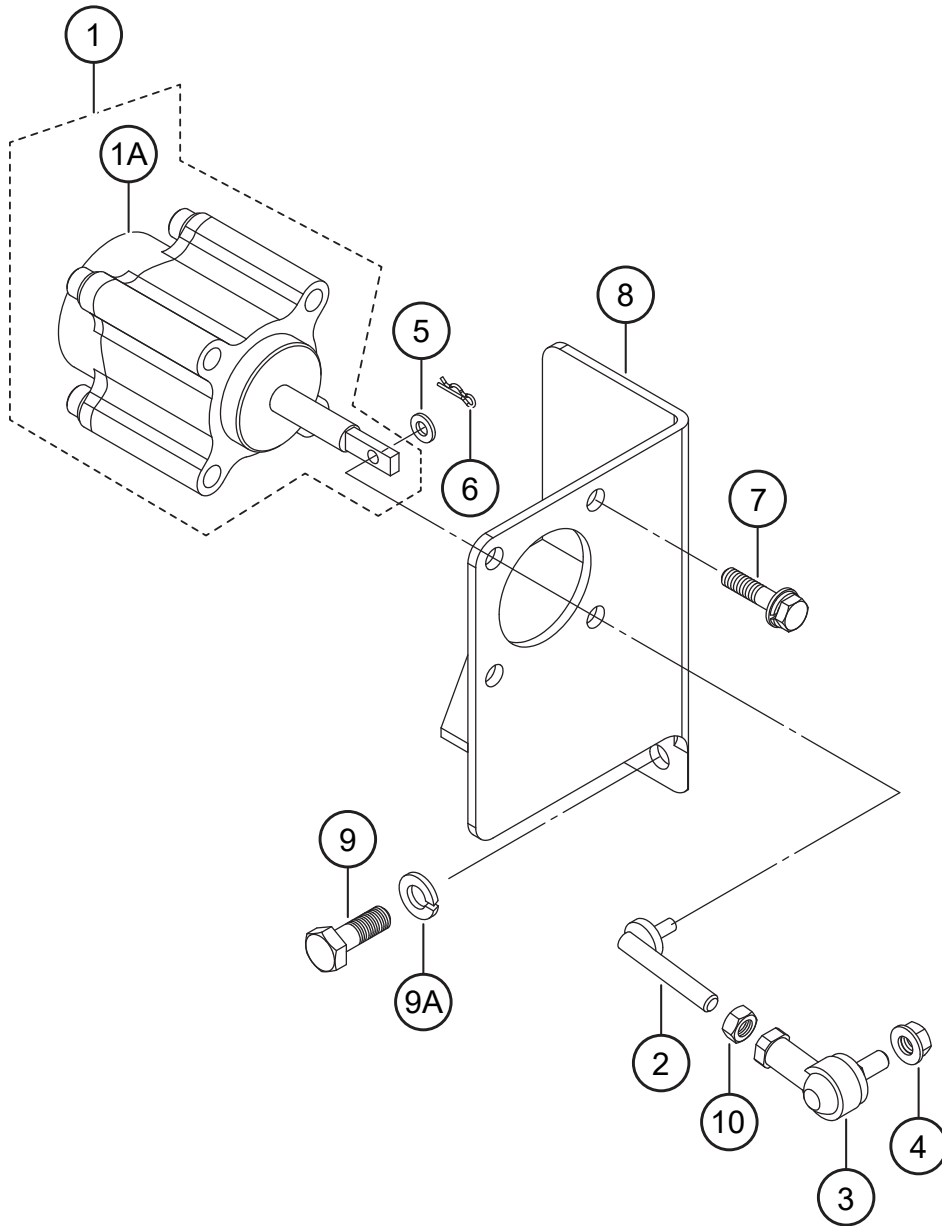
MINIMUM PRESSURE VALVE ASSY.



MINIMUM PRESSURE VALVE ASSY.

<u>NO.</u>	<u>PART NO.</u>	<u>PART NAME</u>	<u>QTY.</u>	<u>REMARKS</u>
1	E2624200302	MINIMUM PRESSURE VALVE BODY	1	
2	E2631002104	COVER	1	
3	E2631001204	VALVE	1	
4	E2631001104	PISTON	1	
5	E9201300004	SPRING	1	
6	E9201300104	SPRING	1	
7	0155600123	O-RING	1	
8	Y0155500132	O-RING	1	
9	E2614804604	SPACER	1	
10	E2614804704	SPACER	1	

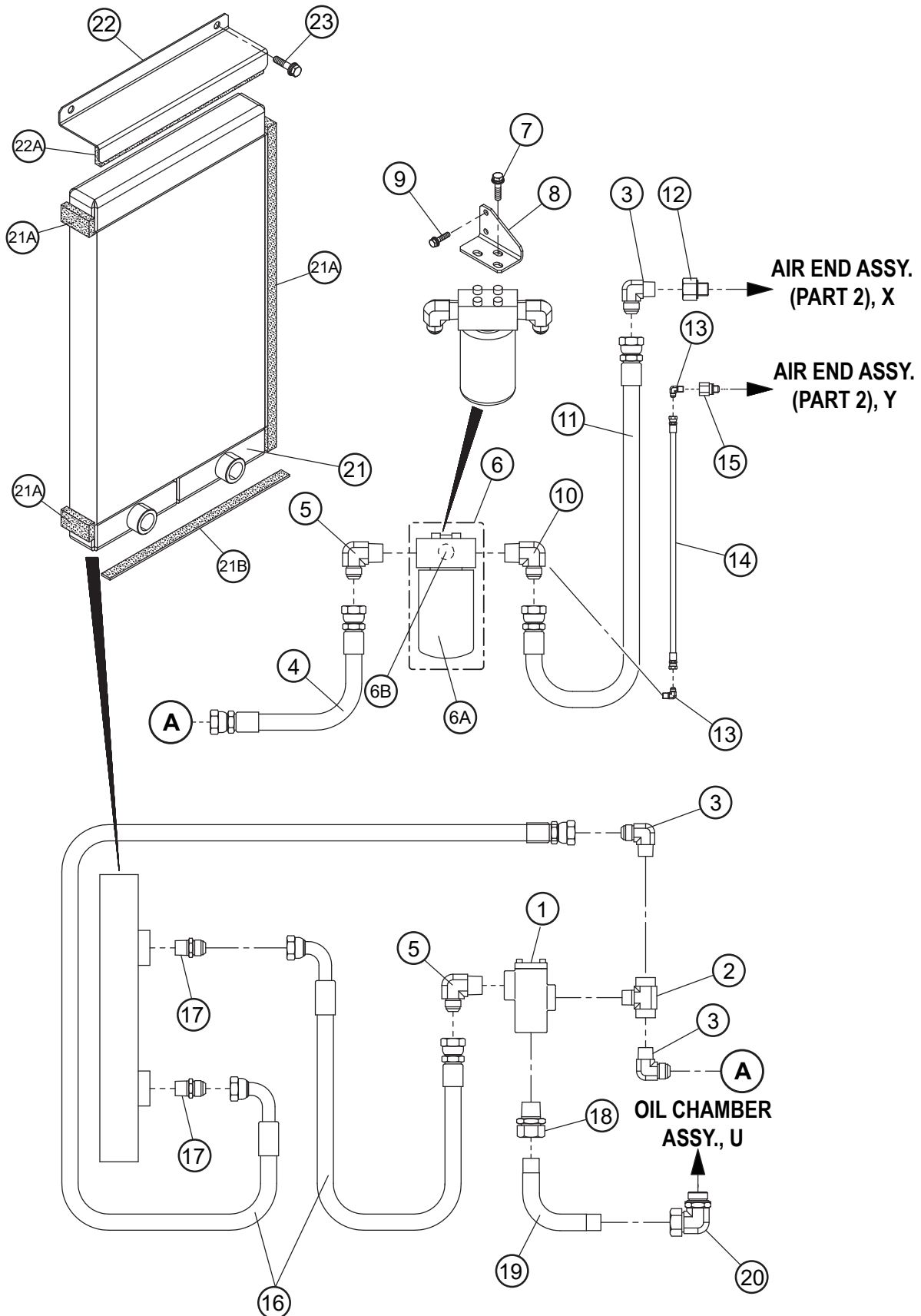
SPEED REGULATOR ASSY.



SPEED REGULATOR ASSY.

<u>NO.</u>	<u>PART NO.</u>	<u>PART NAME</u>	<u>QTY.</u>	<u>REMARKS</u>
1	E2924100504	SPEED REGULATOR.....	1.....	INCLUDES ITEMS W/#
1A#	0603400004	BELLOFRAM	1	
2	E2211300604	GOVERNOR ROD	1	
3	0602180106	BALL JOINT	1	
4	0176060030	FLANGE HEX. NUT.....	1.....	REPLACES P/N 0207006000
5	952404470	FLAT WASHER.....	1.....	REPLACES P/N 0041206000
6	505015300	SNAP PIN	1.....	REPLACES P/N 0605010502
7	011208025	HEX. HEAD BOLT.....	4.....	REPLACES P/N 0016908025
8	E2211100604	BRACKET	1	
9	012210020	HEX. HEAD BOLT.....	4.....	REPLACES P/N 0010710020
9A	0040010000	LOCK WASHER	4	
10	020108060	HEX. NUT	1.....	REPLACES P/N 0030008000

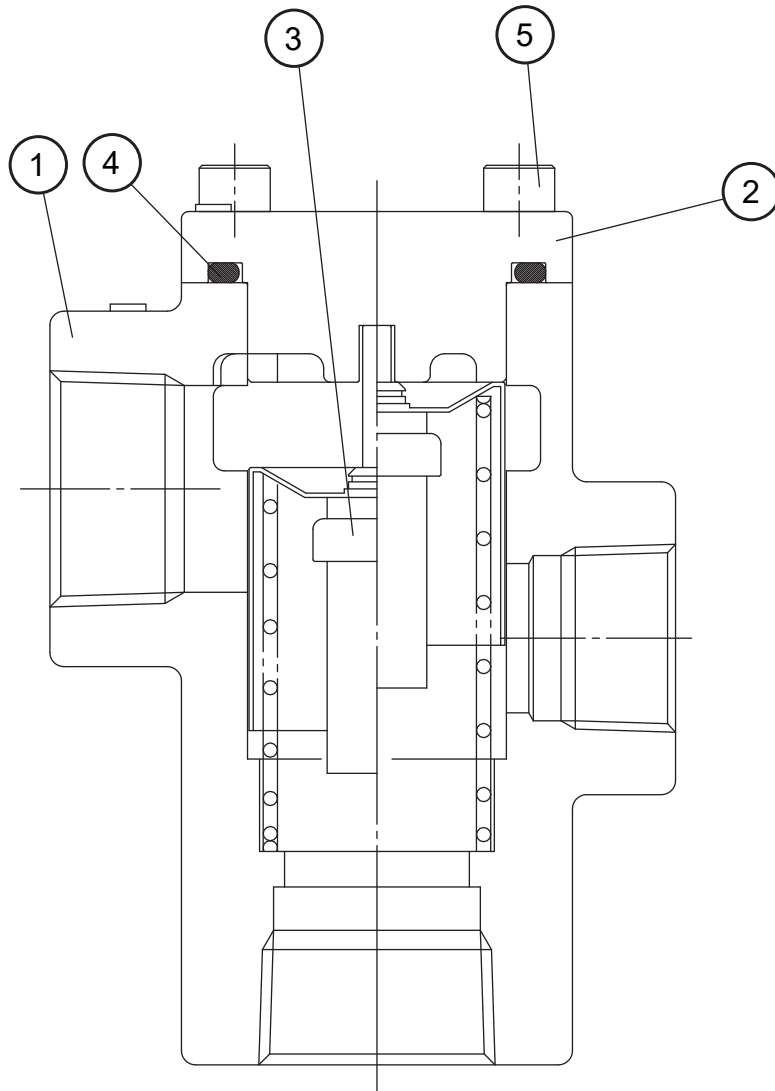
PIPING 1 ASSY.



PIPING 1 ASSY.

<u>NO.</u>	<u>PART NO.</u>	<u>PART NAME</u>	<u>QTY.</u>	<u>REMARKS</u>
1	E2624800603	BYPASS THERMO VALVE ASSY.	1	
2	Y0603306689	MALE BRANCH TEE, 3/4" MMS	1	
3	Y0603306464	MALE ELBOW	3	
4	E2604203604	OIL HOSE	1	
5	Y0603306465	MALE ELBOW	2	
6	E2924000344	OIL FILTER	1	INCLUDES ITEMS W/#
6A#	E2924000354	OIL FILTER ELEMENT, P576166	1	
6B#	Y0603310240	INDICATOR, P162400	1	
7	0016910020	HEX. HEAD BOLT.....	3	REPLACES P/N 0017110020
8	E2614804304	BRACKET, OIL FILTER	1	
9	011008020	HEX. HEAD BOLT.....	2	REPLACES P/N 0016908020
10	E2614804404	MALE ELBOW	1	
11	E2604204704	OIL HOSE	1	
12	E2924000504	ADAPTER	1	
13	Y0603306477	MALE ELBOW	2	
14	E2604204804	OIL HOSE	1	
15	E2924000514	ADAPTER	1	
16	E2604204404	OIL HOSE	2	
17	Y0603306382	MALE CONNECTOR	2	
18	Y0603320048	MALE CONNECTOR	1	
19	E2604203804	OIL PIPE	1	
20	Y0603320059	ADJUSTABLE LOCKNUT ELBOW	1	
21	E2924200444	OIL COOLER	1	
21A	E2494206504	ACOUSTIC SHEET	1	
21B	Y0314900320	RUBBER SEAL	1	
22	E2314101604	OIL COOLER BRACKET	1	
22A	Y0222100290	SEAL RUBBER	1	
23	011008020	HEX. HEAD BOLT.....	2	REPLACES P/N 0016908020

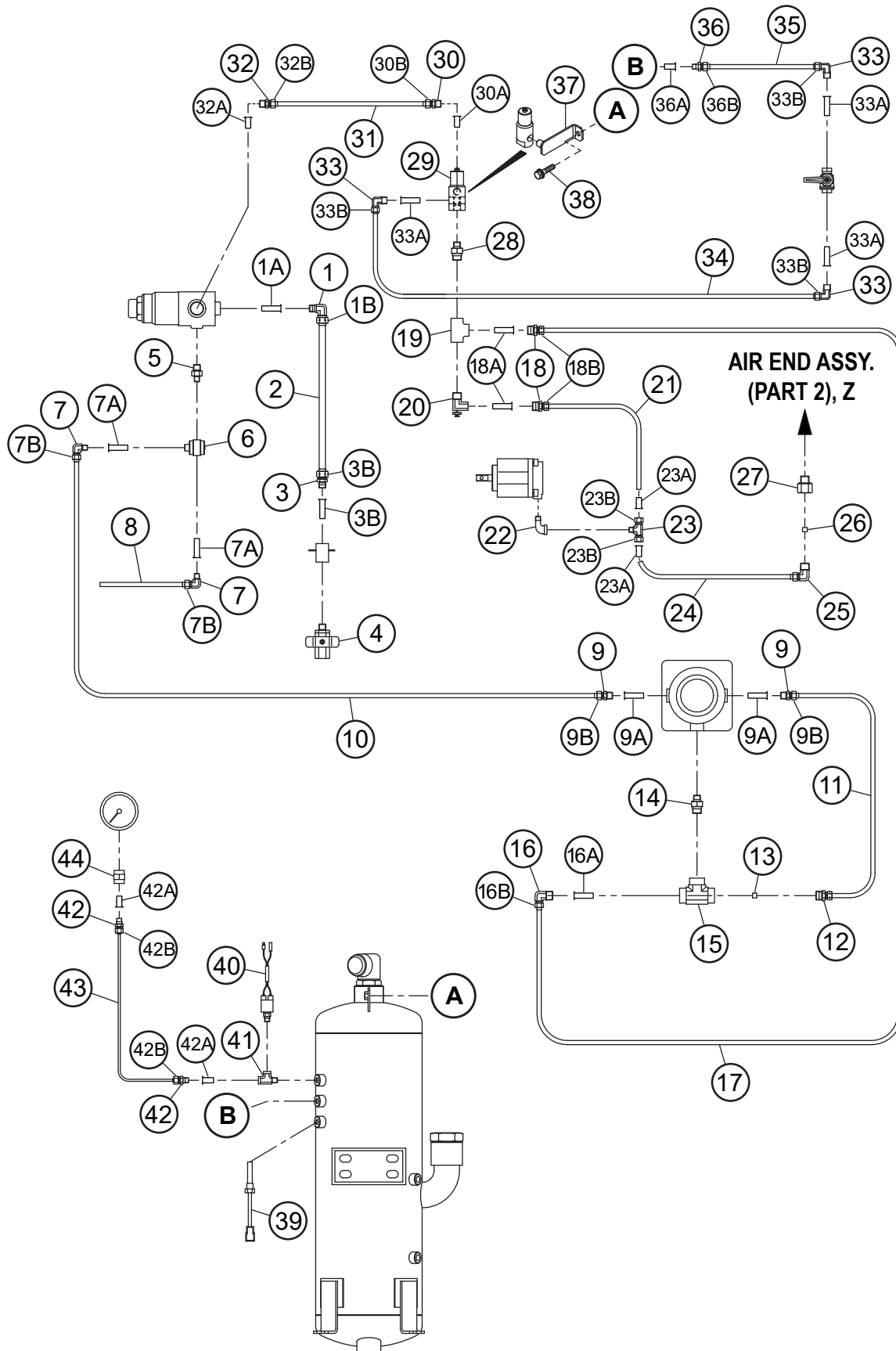
BYPASS THERMO VALVE ASSY.



BYPASS THERMO VALVE ASSY.

<u>NO.</u>	<u>PART NO.</u>	<u>PART NAME</u>	<u>QTY.</u>	<u>REMARKS</u>
1	E2624800403	BYPASS THERMO VALVE BODY	1	
2	E2624800504	COVER	1	
3	E2924100384	COMPRESSOR OIL THERMOSTAT	1	
4	Y0155500223	O-RING	1	
5	Y0018206020	HEX. SOCKET HEAD CAP SCREW	4	

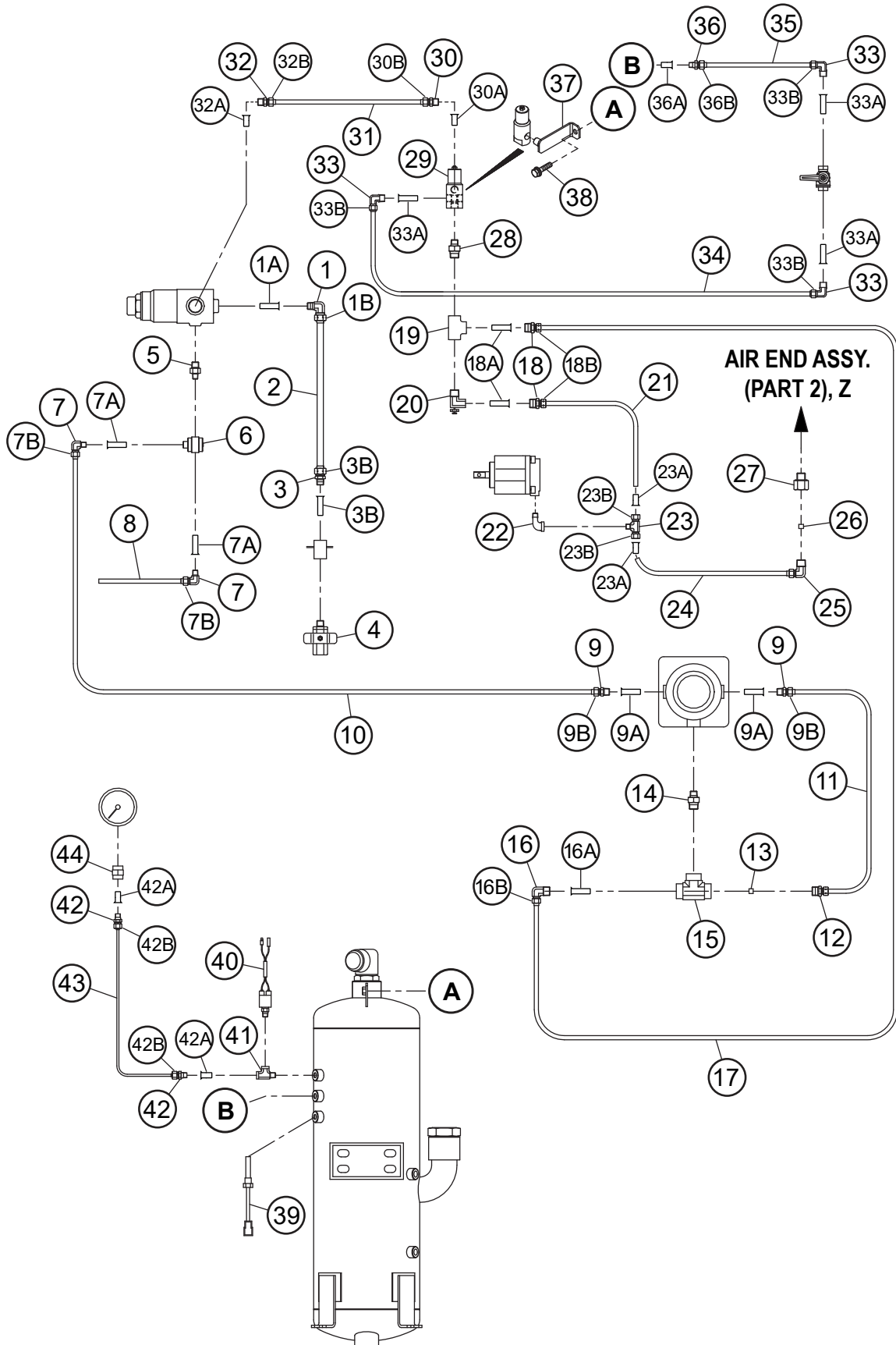
PIPING 2 ASSY.



PIPING 2 ASSY.

<u>NO.</u>	<u>PART NO.</u>	<u>PART NAME</u>	<u>QTY.</u>	<u>REMARKS</u>
1	0603301044	ELBOW UNION	1	
1A	Y0603302022	SLEEVE	1	
1B	Y0603303022	NUT	1	
2	Y0190800760	NYLON TUBE	1	
3	Y0603300093	HALF UNION	1	
3A	Y0603302022	SLEEVE	1	
3B	Y0603303022	NUT	1	
4	Y0603325131	BALL VALVE, 1/4"	1	
5	Y0131602000	REDUCING NIPPLE	1	
6	0603324283	PILOT VALVE	1	
7	Y0603301031	ELBOW UNION	2	
7A	0603302021	SLEEVE	2	
7B	0603303021	NUT	2	
8	Y0190700700	NYLON TUBE	1	
9	Y0603300049	HALF UNION	2	
9A	0603302021	SLEEVE	2	
9B	0603303021	NUT	2	
10	Y0190700400	NYLON TUBE	1	
11	Y0190700260	NYLON TUBE	1	
12	E2614804804	MOD. CONNECTOR	1	
13	E2610000104	ORIFICE PLUG	1	
14	Y0603306377	REDUCING NIPPLE	1	
15	Y0603306685	TEE, 3/8"	1	
16	Y0603301061	ELBOW UNION	1	
16A	0603302021	SLEEVE	1	
16B	0603303021	NUT	1	
17	Y0261100530	NYLON TUBE	1	
18	Y0603300043	HALF UNION	2	
18A	0603302021	SLEEVE	2	
18B	0603303021	NUT	2	
19	0130404000	TEE, 3/8"	1	
20	Y0603324157	SPEED CONTROL VALVE	1	
21	Y0261100870	NYLON TUBE	1	
22	0130200000	STREET ELBOW, 1/8"	1	
23	Y0603306650	T-UNION	1	
23A	0603302021	SLEEVE	2	
23B	0603303021	NUT	2	
24	Y0261100400	NYLON TUBE	1	
25	E2614803504	MOD. ELBOW CONNECTOR	1	
26	E2610000204	ORIFICE PLUG	1	
27	E2924000524	ADAPTER	1	
28	Y0131604020	REDUCING NIPPLE, 3/8"×1/4"	1	
29	Y0603324155	PRESSURE REGULATOR VALVE	1	
30	0603300042	HALF UNION	1	
30A	0603302021	SLEEVE	1	
30B	0603303021	NUT	1	

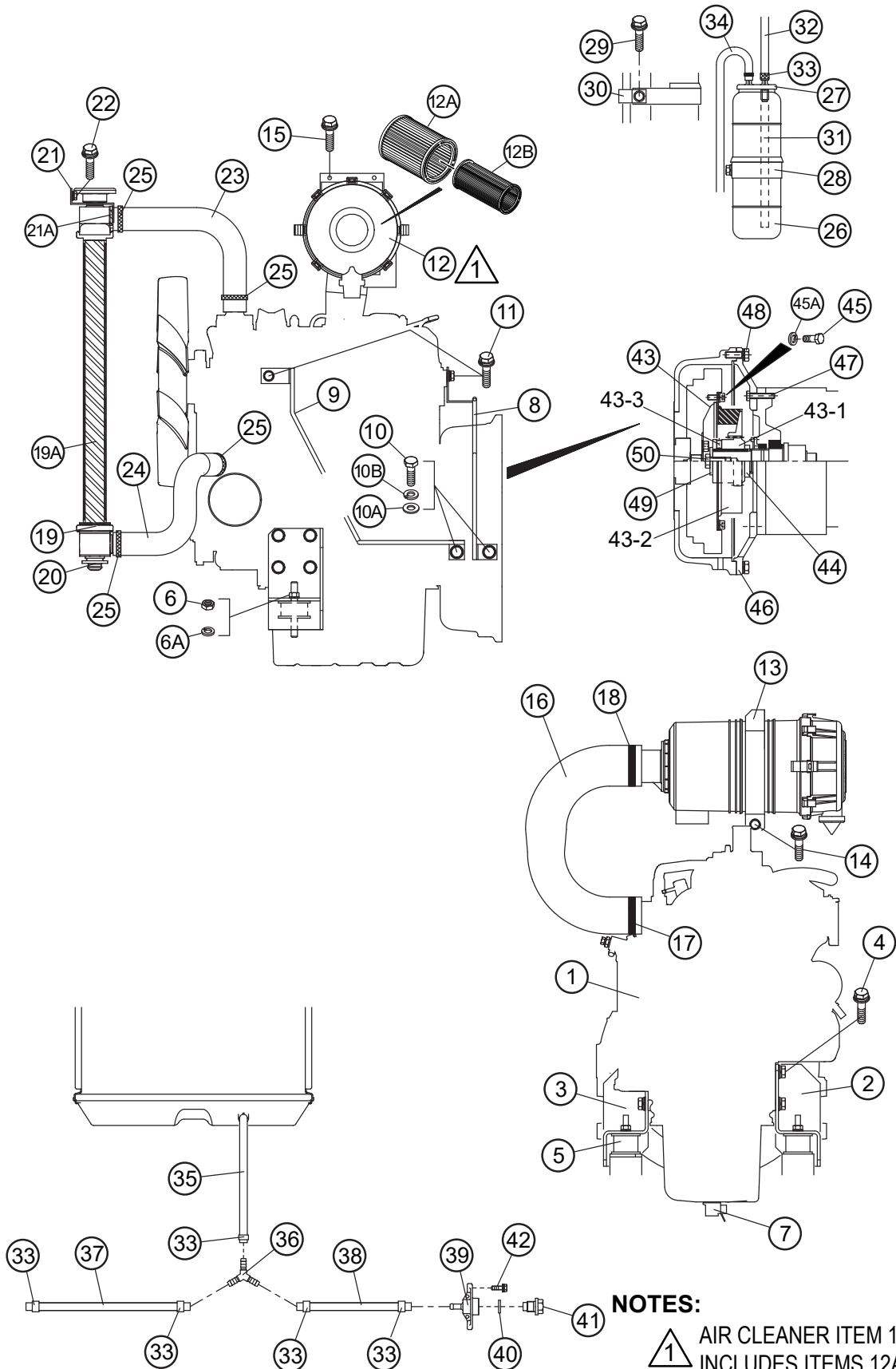
PIPING 2 ASSY. (CONT'D.)



PIPING 2 ASSY. (CONT'D.)

<u>NO.</u>	<u>PART NO.</u>	<u>PART NAME</u>	<u>QTY.</u>	<u>REMARKS</u>
31	Y0261300600	NYLON TUBE	1	
32	Y0603300049	ELBOW UNION	1	
32A	0603302021	SLEEVE	1	
32B	0603303021	NUT	1	
33	0603301032	ELBOW UNION	3	
33A	0603302021	SLEEVE	3	
33B	0603303021	NUT	3	
34	Y0261300850	NYLON TUBE	1	
35	Y0261300700	NYLON TUBE	1	
36	Y0603300048	HALF UNION	1	
36A	0603302021	SLEEVE	1	
36B	0603303021	NUT	1	
37	E2611200404	BRACKET, PRESSURE REG. VALVE	1	
38	011008020	HEX. HEAD BOLT.....	1	REPLACES P/N 0016908020
39	0603210230	TEMPERATURE SENSOR	1	
40	Y0602210090	RESIDUAL PRESSURE SWITCH	1	
41	Y0603306684	MALE RUN TEE, 1/8"	1	
42	Y0603300061	HALF UNION	2	
42A	Y0603302020	SLEEVE	2	
42B	Y0603303020	NUT	2	
43	Y0190600650	NYLON TUBE	1	
44	Y0603307681	PIPE COUPLING, 1/4"×1/8"	1	

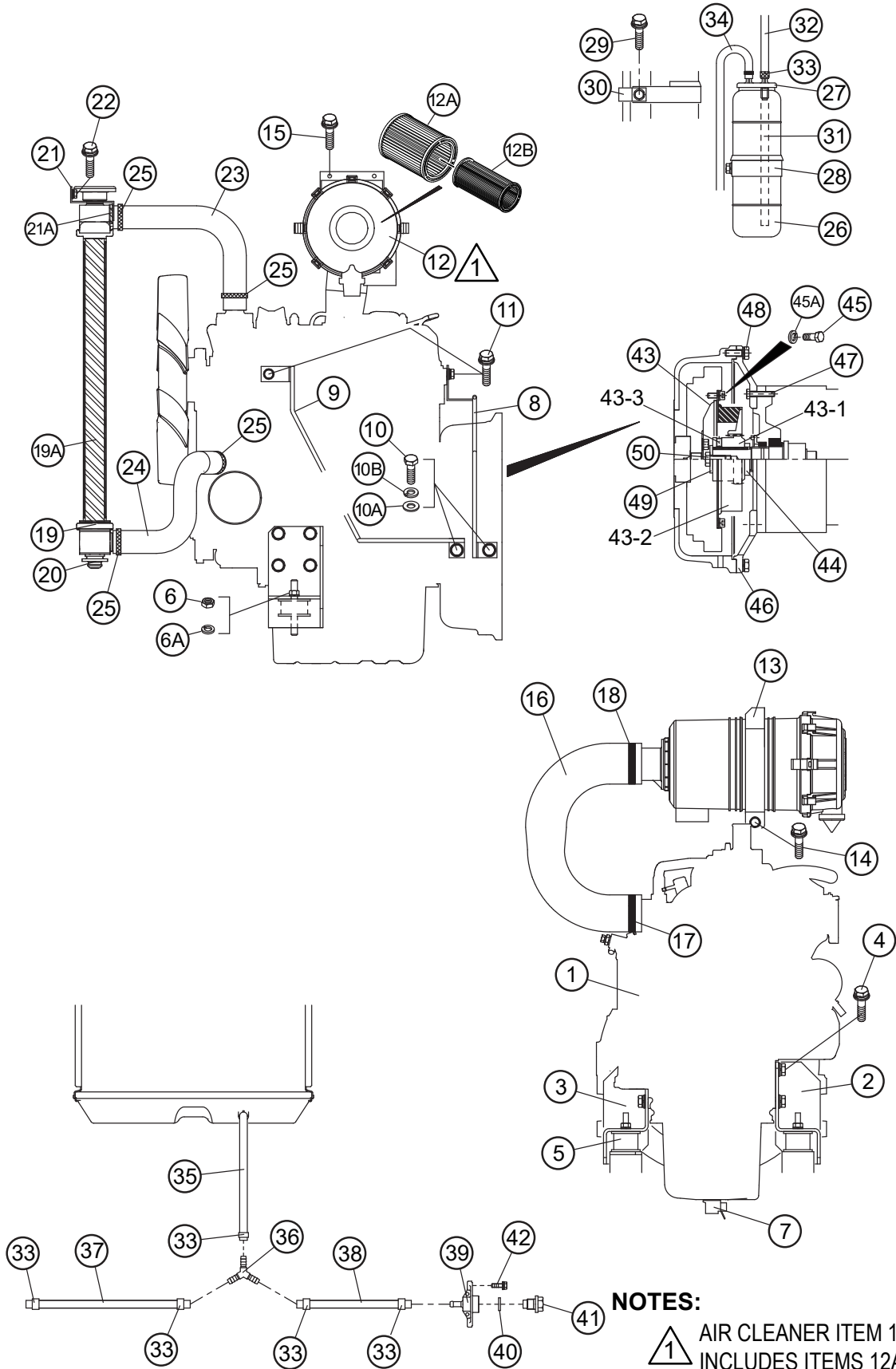
ENGINE AND RADIATOR ASSY.



ENGINE AND RADIATOR ASSY.

<u>NO.</u>	<u>PART NO.</u>	<u>PART NAME</u>	<u>QTY.</u>	<u>REMARKS</u>
1	D1005E4B	ENGINE, KUBOTA.....	1.....	REPLACES P/N E2924200434
2	E2304202704	ENGINE FOOT	1	
3	E2304202604	ENGINE FOOT	1	
4	0012410025	HEX. HEAD BOLT	8	
5	Y0605000046	RUBBER SUSPENSION	2	
6	020108060	HEX. NUT	2.....	REPLACES P/N 0030008000
6A	0040008000	LOCK WASHER	2	
7	Y0605511363	OIL CHANGER	1	
8	E2355300903	CLAMPER ROD	1	
9	E2355301004	CLAMPER ROD	1	
10	012210020	HEX. HEAD BOLT.....	3.....	REPLACES P/N 0010710020
10A	Y0041210000	FLAT WASHER	3	
10B	0040010000	LOCK WASHER	3	
11	011008020	HEX. HEAD BOLT.....	2.....	REPLACES P/N 0016908020
12	Y0602046544	AIR CLEANER.....	1.....	INCLUDES ITEMS W/#
12A#	0602046611	PRIMARY ELEMENT, P821575	1	
12B#	Y0602046635	SAFETY ELEMENT, P822858	1	
13	E2374200604	BRACKET, AIR CLEANER	1	
14	011008020	HEX. HEAD BOLT.....	1.....	REPLACES P/N 0016908020
15	0016906015	HEX. HEAD BOLT	2	
16	E2374102803	ENGINE INTAKE HOSE	1	
17	0605515147	HOSE BAND	1	
18	0605515199	HOSE BAND	1	
19	E2924200454	RADIATOR	1	
19A	E2494206504	ACOUSTIC SHEET	1	
20	M9312200104	MOUNT RUBBER	2	
21	E2311200804	RADIATOR BRACKET	2	
21A	Y0222100030	SEAL RUBBER	2	
22	011008020	HEX. HEAD BOLT.....	2.....	REPLACES P/N 0016908020
23	E2311601603	RADIATOR HOSE	1	
24	E2311601703	RADIATOR HOSE	1	
25	0605515134	HOSE BAND	4	
26	0802081403D	RESERVE TANK.....	1.....	REPLACES P/N M930000003
27	0802081104	CAP, RESERVE TANK.....	1.....	REPLACES P/N M930010003
28	M1317100004	BRACKET, RESERVE TANK	1	
29	011008020	HEX. HEAD BOLT.....	1.....	REPLACES P/N 0016908020
30	0602220911	COATING CLAMPER	1	
31	0199100215	HOSE	1	
32	0199900350	OVER FLOW HOSE	1	
33	0605515189	HOSE BAND	8	
34	0193600700	OVER FLOW HOSE	1	
35	Y0199900250	DRAIN HOSE	1	

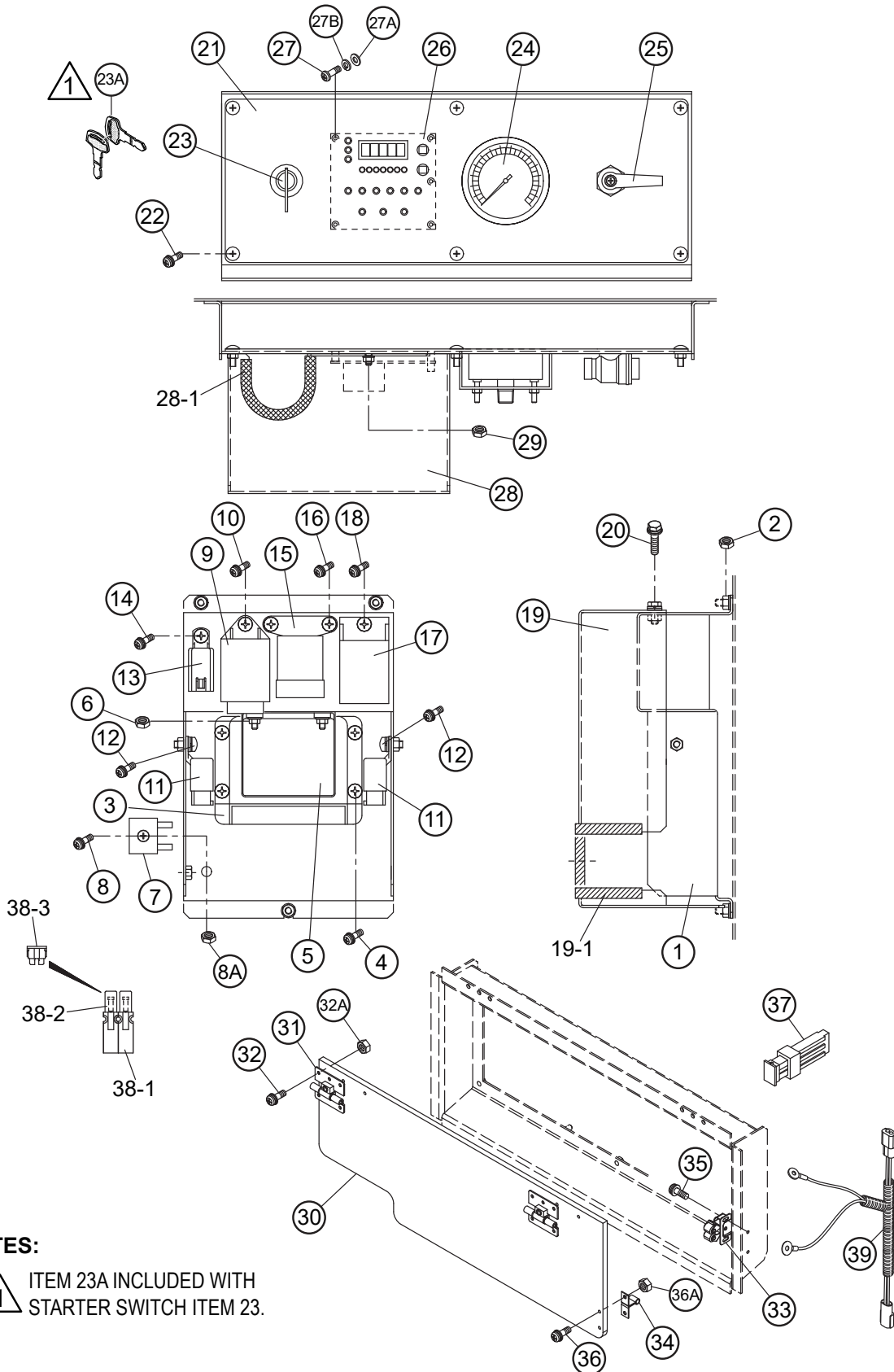
ENGINE AND RADIATOR ASSY. (CONT'D.)



ENGINE AND RADIATOR ASSY. (CONT'D.)

<u>NO.</u>	<u>PART NO.</u>	<u>PART NAME</u>	<u>QTY.</u>	<u>REMARKS</u>
36	0602022929	Y-JOINT	1	
37	0199900450	DRAIN HOSE	1	
38	Y0199900380	DRAIN HOSE	1	
39	7812014003B	DRAIN JOINT	1.....	REPLACES P/N M2320300103
40	0150000018	O-RING	1	
41	0802011104	DRAIN BOLT.....	1.....	REPLACES P/N M9200200004
42	011206020	HEX. HEAD BOLT.....	2.....	REPLACES P/N 0019206020
43	E2924000444	COUPLING	1.....	INCLUDES ITEMS W/%
43-1%	E2924000414	GEAR HUB	1	
43-2%	E2924000454	FLANGE	1	
43-3	E2924000474	HEX. SOCKET SCREW	1	
44	E2164600604	SPACER	1	
45	Y0013203019	HEX. SOCKET HEAD CAP SCREW	6	
45A	0040008000	LOCK WASHER	6	
46	E2164500503	HOUSING	1	
47	Y0013608040	HEX. HEAD BOLT	8	
48	012010030	HEX. HEAD BOLT.....	8.....	REPLACES P/N 0012810030
49	E2164800304	PLATE	1	
50	Y0013612025	HEX. HEAD BOLT	1	

ENGINE OPERATION ASSY.



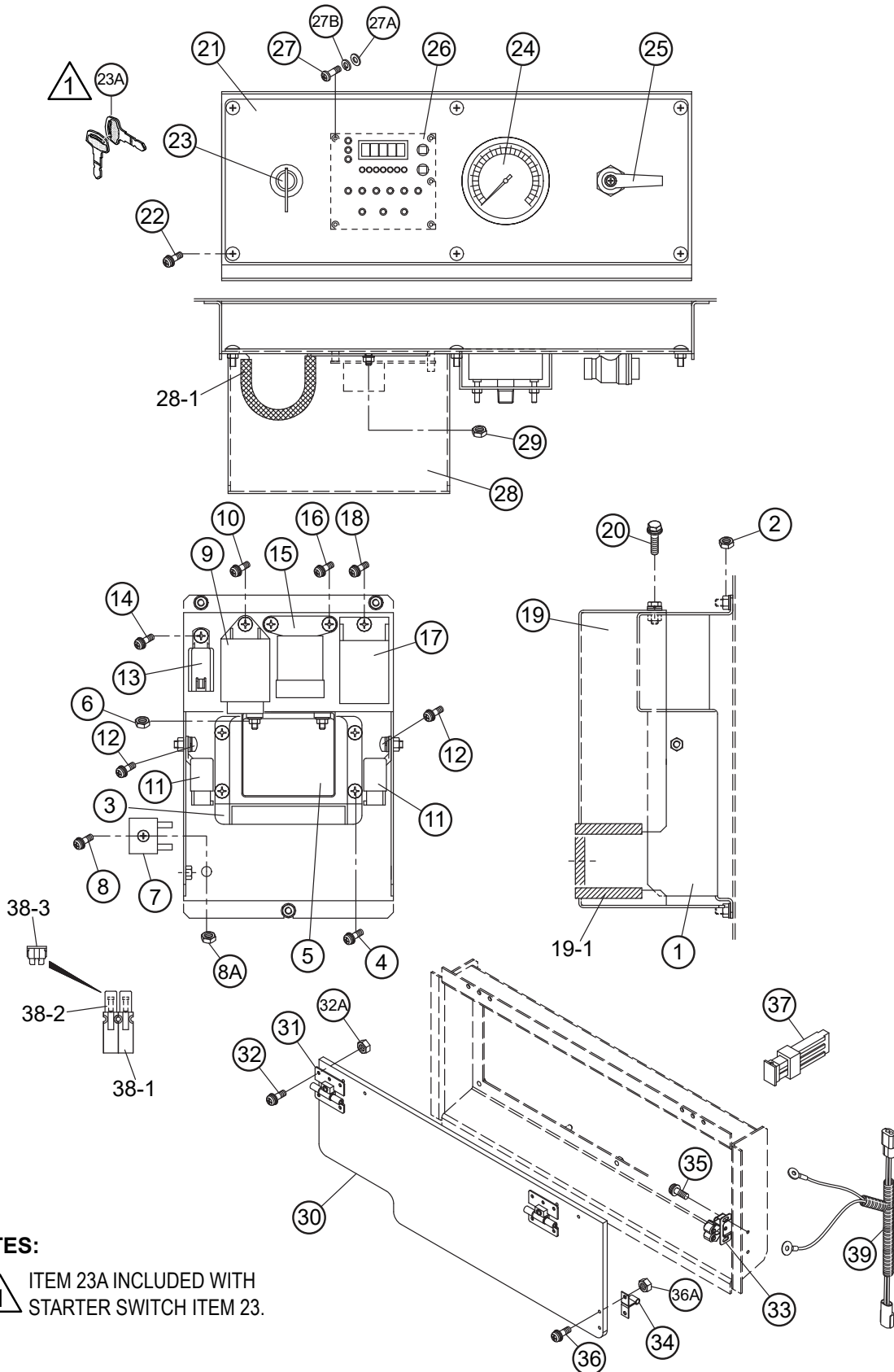
NOTES:

1 ITEM 23A INCLUDED WITH STARTER SWITCH ITEM 23.

ENGINE OPERATION ASSY.

<u>NO.</u>	<u>PART NO.</u>	<u>PART NAME</u>	<u>QTY.</u>	<u>REMARKS</u>
1	E2352602703	CONTROL BOX	1	
2	Y0207006000	SELF-LOCK NUT	3	
3	1746260600	EMERGENCY UNIT, EG3.....	1.....	REPLACES P/N 0602200467
4	0027106025	MACHINE SCREW	4	
5	Y0601829251	SPEED RELAY	1	
6	Y0207006000	SELF-LOCK NUT	2	
7	0601821370	RECTIFIER.....	2.....	REPLACES P/N 0601823240
8	0021004035	MACHINE SCREW.....	1.....	REPLACES P/N 0027104035
8A	OEMAA8	SELF-LOCK NUT.....	1.....	REPLACES P/N 0207004000
9	1641565661	CONTROLLER.....	1.....	REPLACES P/N Y0602202564
10	011206020	MACHINE SCREW.....	1.....	REPLACES P/N 0027106020
11	0601824527	RELAY	2	
12	011808015	MACHINE SCREW.....	2.....	REPLACES P/N 0027106015
13	0601824525	RELAY	1	
14	011808015	MACHINE SCREW.....	1.....	REPLACES P/N 0027106015
15	1641565602	GLOW RELAY.....	1.....	REPLACES P/N Y0602202563
16	011808015	MACHINE SCREW.....	2.....	REPLACES P/N 0027106015
17	E9924800034	THERMISTOR UNIT	1	
18	011206020	MACHINE SCREW.....	1.....	REPLACES P/N 0027106020
19	E2352701804	COVER, CONTROL BOX	1	
19-1	Y0411100260	EDGE TRIM	1	
20	0016906015	HEX HEAD BOLT	3	
21	E2352101403	OPERATING PANEL	1	
22	0021805015	MACHINE SCREW	6	
23	1742263590	STARTER SWITCH.....	1.....	REPLACES P/N Y0602100057 INCLUDES ITEMS W/#
23A#	1742263701	KEY.....	2.....	REPLACES P/N Y0602100223
24	E2924100494	AIR PRESSURE GAUGE	1	
25	E1924100134	UNLOADER VALVE	1	
26	E2266200024	MONITOR	1	
27	Y0021003008	MACHINE SCREW	5	
27A	Y0042103000	WASHER	5	
27B	0040003000	LOCK WASHER	5	
28	E2352101503	OPERATING PANEL BOX	1	
28-1	Y0411100120	EDGE TRIM	1	
29	0030005000	SELF-LOCK NUT.....	3.....	REPLACES P/N 0207005000
30	E2352400904	OPERATING PANEL COVER	1	

ENGINE OPERATION ASSY. (CONT'D.)



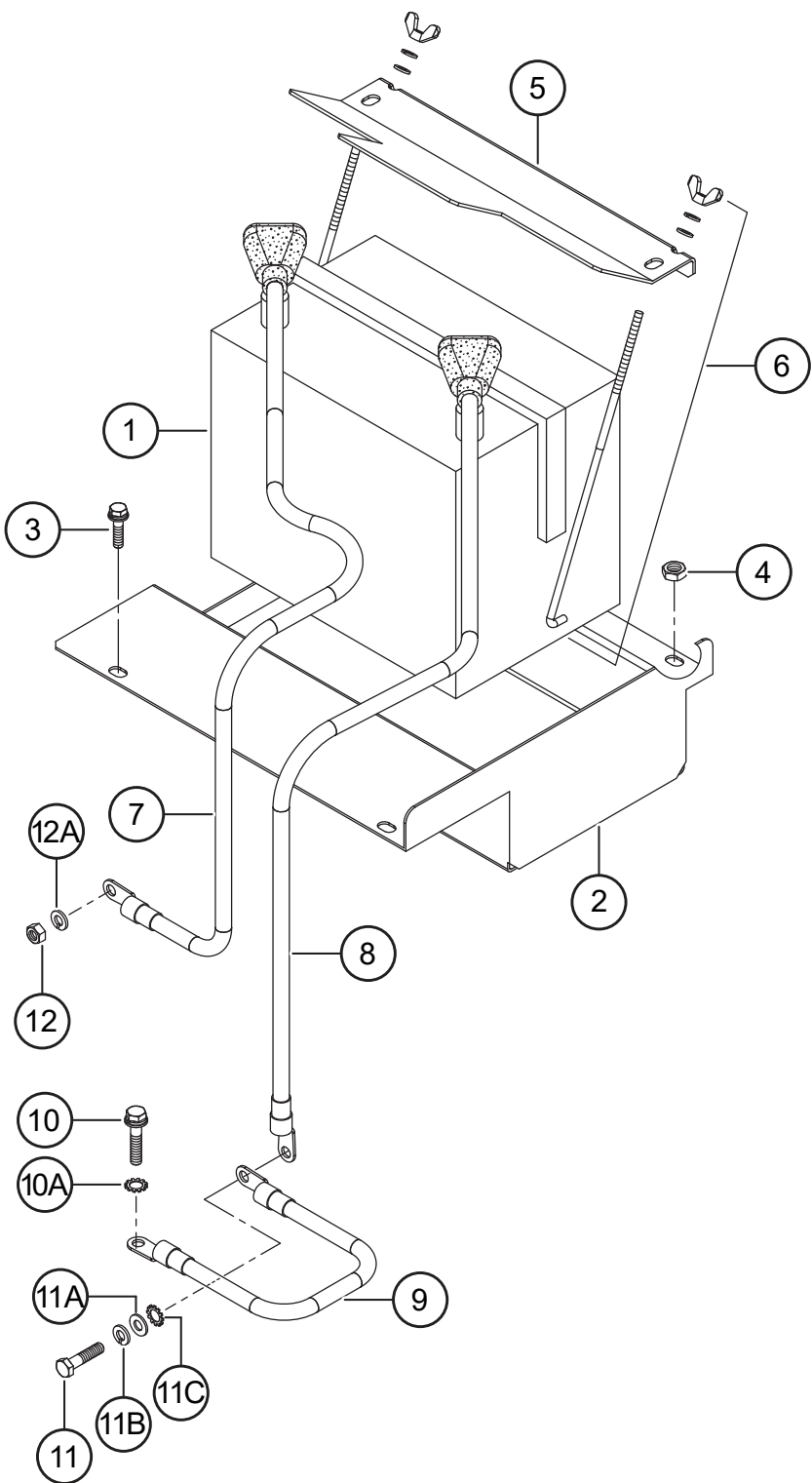
NOTES:

1 ITEM 23A INCLUDED WITH STARTER SWITCH ITEM 23.

ENGINE OPERATION ASSY. (CONT'D.)

<u>NO.</u>	<u>PART NO.</u>	<u>PART NAME</u>	<u>QTY.</u>	<u>REMARKS</u>
31	Y0605012034	FLAT TORQUE HINGE	2	
32	0027103015	MACHINE SCREW	10	
32A	0207003000	SELF-LOCK NUT	10	
33	Y0605012100	ROLLER CATCHER	1	
34	Y0605012101	KEEPER	1	
35	Y0025303010	MACHINE SCREW	2	
36	Y0025303010	MACHINE SCREW	2	
36A	0207003000	HEX. NUT	2	REPLACES P/N 0030003000
37	0601806640	FUSE, 65A	1	
38	E2267000104	FUSE BOX ASSY.....	1	INCLUDES ITEMS W/%
38-1%	Y0601818010	HOUSING	2	
38-2%	Y0601818011	COVER	2	
38-3%	0601806642	FUSE, 5A	2	
39	E2355204002	WIRE HARNESS, ENGINE	1	

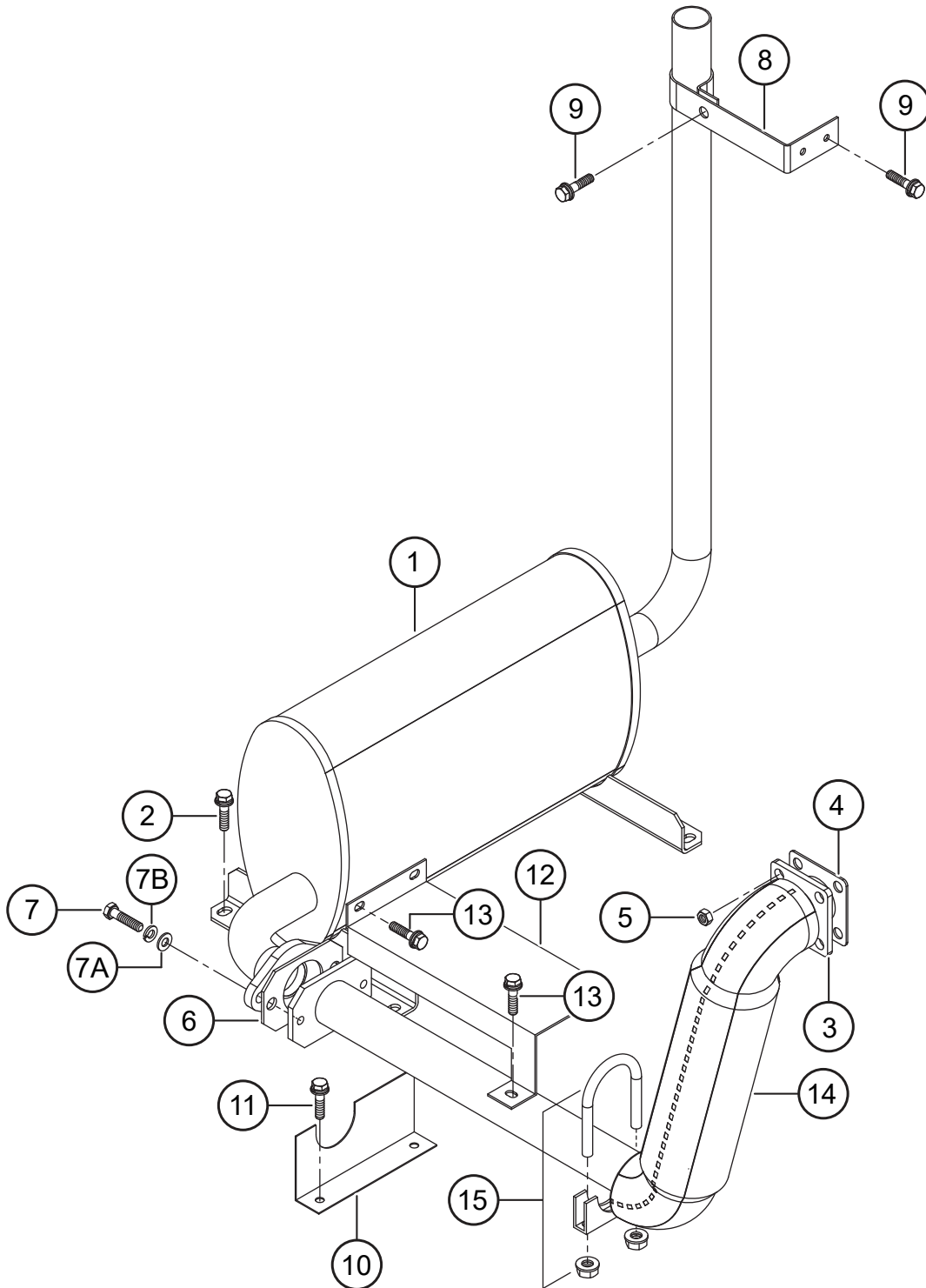
BATTERY ASSY.



BATTERY ASSY.

<u>NO.</u>	<u>PART NO.</u>	<u>PART NAME</u>	<u>QTY.</u>	<u>REMARKS</u>
1	0602220193	BATTERY	1	
2	E2487800704	BATTERY BOX	1	
3	011008020	HEX. HEAD BOLT.....	2.....	REPLACES P/N 0016908020
4	Y0207008000	SELF-LOCK NUT	2	
5	E2344200004	BATTERY BAND	1	
6	0602220920	BATTERY BOLT SET	2	
7	E2347200604	BATTERY CABLE	1	
8	E2347200704	BATTERY CABLE	1	
9	E2347200804	EARTH CABLE	1	
10	0016910025	HEX. HEAD BOLT	1	
10A	0040510000	TOOTHED WASHER	1	
11	012210020	HEX. HEAD BOLT.....	1.....	REPLACES P/N 0010710020
11A	Y0041210000	FLAT WASHER	1	
11B	0040010000	LOCK WASHER	1	
11C	0040510000	TOOTHED WASHER	1	
12	020108060	HEX. NUT	1.....	REPLACES P/N 0030008000
12A	0040008000	LOCK WASHER	1	

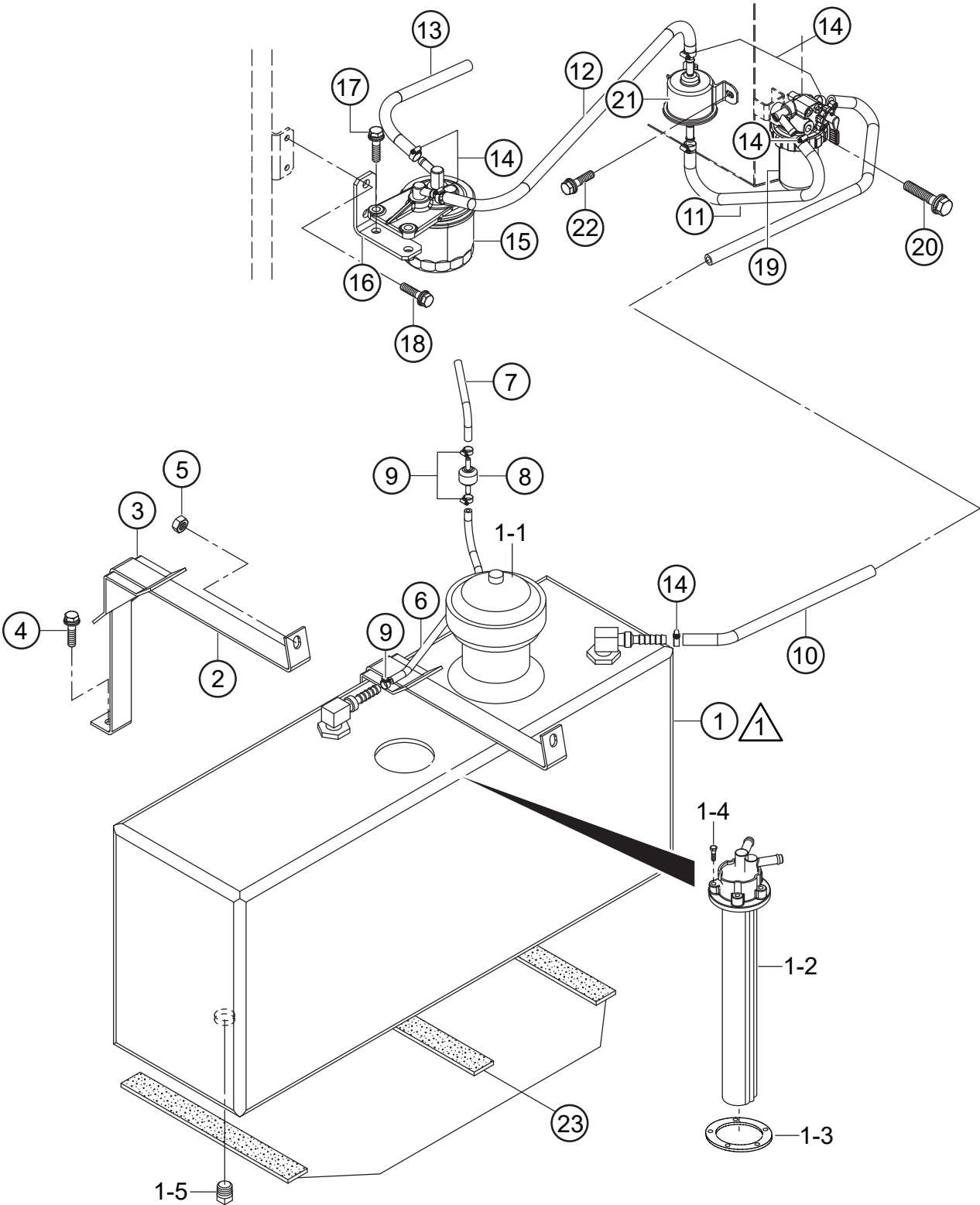
MUFFLER ASSY.




MUFFLER ASSY.

<u>NO.</u>	<u>PART NO.</u>	<u>PART NAME</u>	<u>QTY.</u>	<u>REMARKS</u>
1	E2331102302	MUFFLER	1	
2	011008020	HEX. HEAD BOLT.....	4	REPLACES P/N 0016908020
3	E2334002103	EXHAUST PIPE	1	
4	1526312370	GASKET	1	REPLACES P/N 1526312371
5	0207108000	NUT, SELF-LOCKING	4	
6	E2334200204	GASKET	1	
7	0012108035	HEX. HEAD BOLT	2	
7A	0401450080	FLAT WASHER.....	2	REPLACES P/N 0041208000
7B	0040008000	LOCK WASHER	2	
8	E2334802404	BRACKET, TAIL PIPE	1	
9	011008020	HEX. HEAD BOLT.....	3	REPLACES P/N 0016908020
10	E2331300504	COVER, EXHAUST PIPE	1	
11	011008020	HEX. HEAD BOLT.....	2	REPLACES P/N 0016908020
12	E2331300604	COVER, EXHAUST PIPE	1	
13	0016906015	HEX. HEAD BOLT	3	
14	E2334802604	EXHAUST HEAT SHIELD A	1	
15	Y0602326069	U-BOLT	1	

FUEL TANK ASSY.



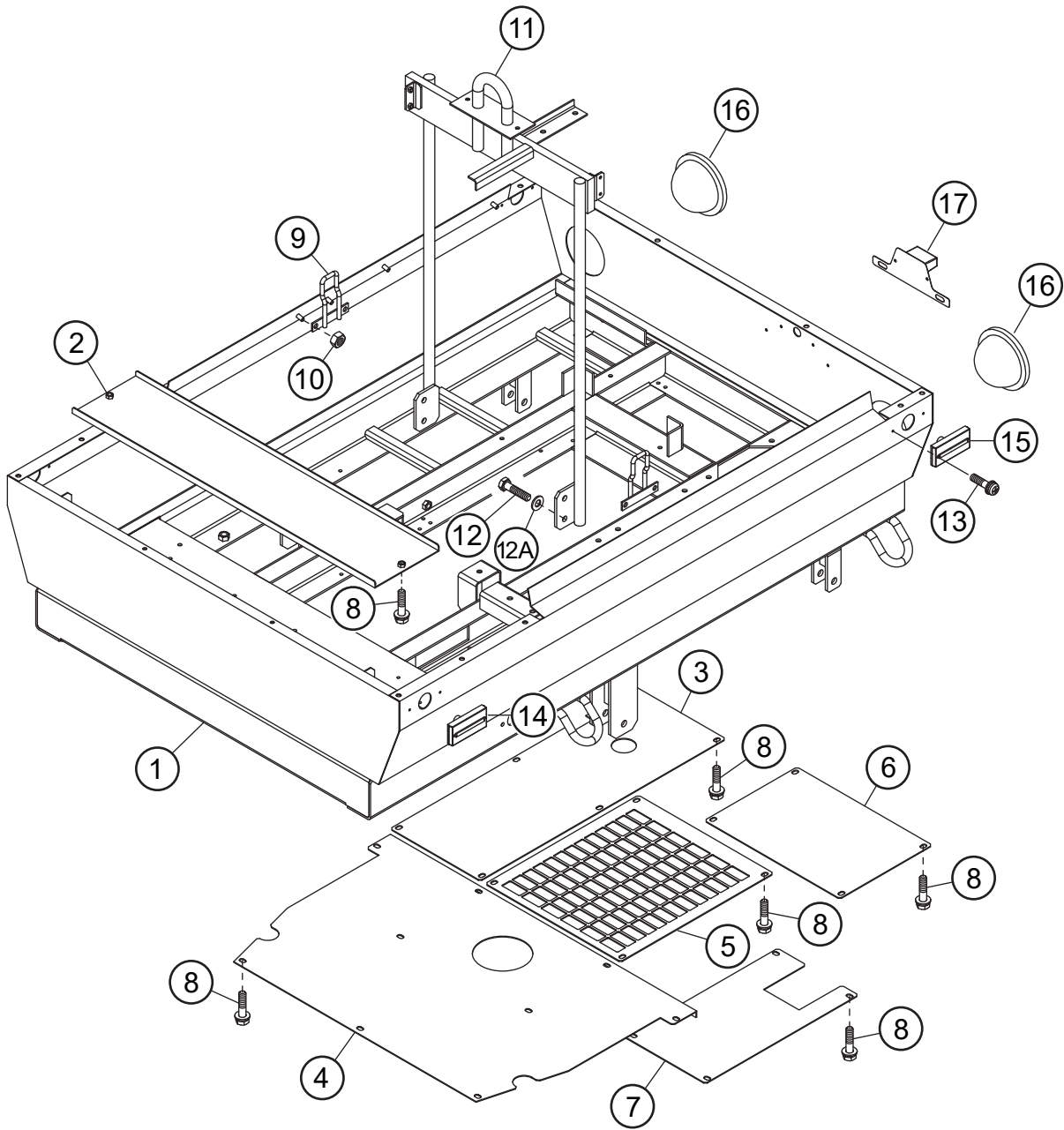
NOTES:

 FUEL TANK INCLUDES ITEMS 1-1, 1-2, 1-3, 1-4.

FUEL TANK ASSY.

<u>NO.</u>	<u>PART NO.</u>	<u>PART NAME</u>	<u>QTY.</u>	<u>REMARKS</u>
1	E2364001702	FUEL TANK.....	1.....	INCLUDES ITEMS W/#
1-1#	0605505070	CAP, FUEL TANK	1	
1-2#		FUEL SENDER UNIT	1	
1-3#	Y0605516090	GASKET	1	
1-4#	Y0605053020	HEX. HEAD BOLT W/WASHER	5	
1-5#	Y0138104000	PLUG	1	
2	E2364300804	FUEL TANK BRACKET	2	
3	M9310500104	SUPPORTER SHEET	2	
4	011008020	HEX. HEAD BOLT.....	2.....	REPLACES P/N 0016908020
5	Y0207008000	SELF-LOCKING NUT	2	
6	Y0191000500	RETURN HOSE	1	
7	Y0191000100	RETURN HOSE	1	
8	1C01042461	CHECK VALVE	1.....	REPLACES P/N Y0605511348
9	Y0605515104	HOSE BAND	4	
10	Y0191200690	FUEL HOSE	1	
11	Y0191200440	FUEL HOSE	1	
12	Y0191200900	FUEL HOSE	1	
13	Y0191200250	FUEL HOSE	1	
14	0605515198	HOSE BAND	8	
15	1522443010	FUEL FILTER (MAIN)	1.....	REPLACES P/N 1522443013
16	E2367700804	FILTER BRACKET	1	
17	011208025	HEX. HEAD BOLT.....	2.....	REPLACES P/N 0016908025
18	011008020	HEX. HEAD BOLT.....	2.....	REPLACES P/N 0016908020
19	RD81951260	FUEL FILTER (PRE).....	1.....	REPLACES P/N Y0602042256
20	0016908070	HEX. HEAD BOLT	1	
21	Y0602023236	FUEL FEED PUMP	1	
22	0016906015	HEX. HEAD BOLT	2	
23	0222100260	RUBBER SEAL	3	

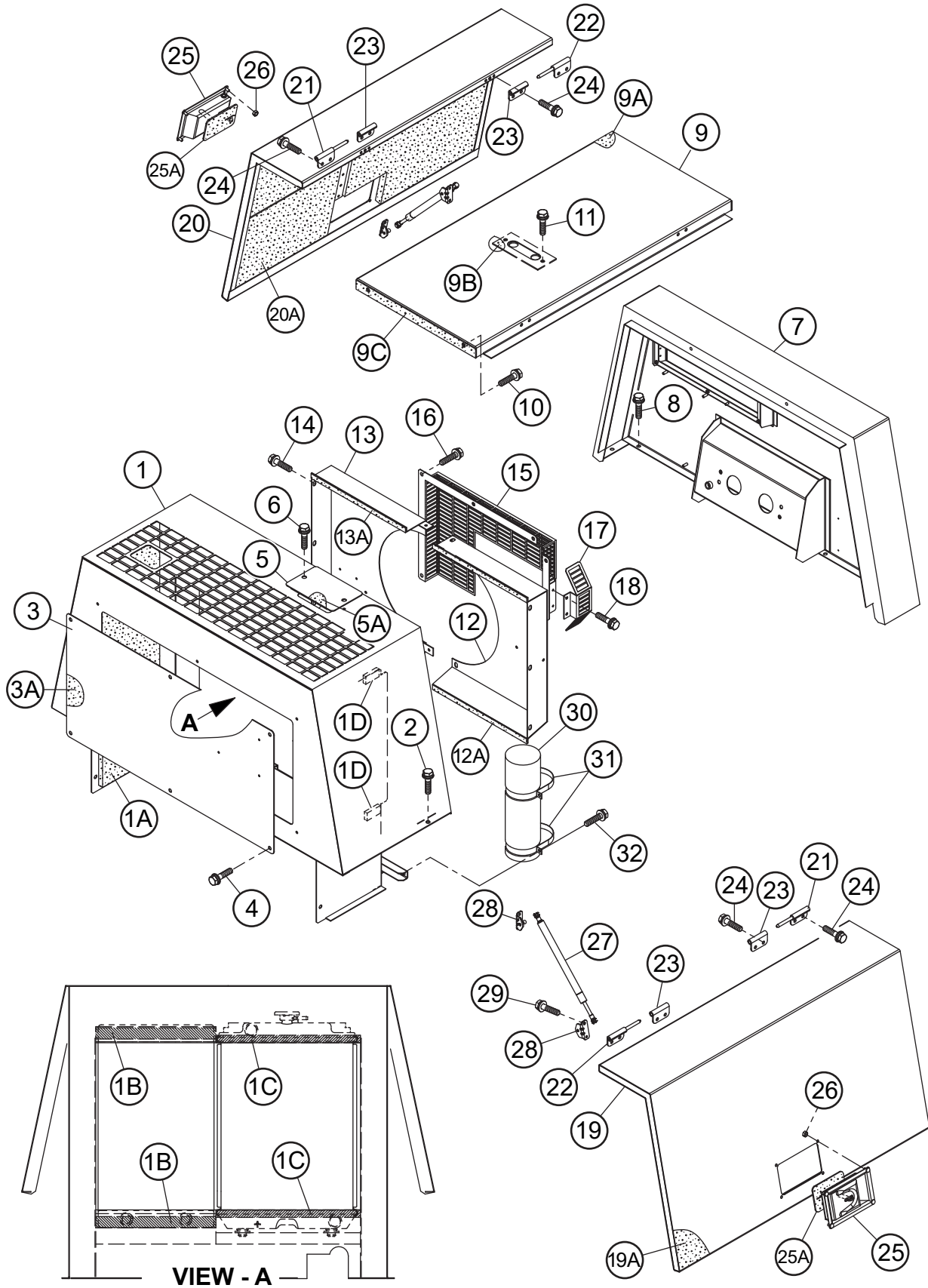
ENCLOSURE 1 ASSY.



ENCLOSURE 1 ASSY.

<u>NO.</u>	<u>PART NO.</u>	<u>PART NAME</u>	<u>QTY.</u>	<u>REMARKS</u>
1	E2414002703	BASE ASSY.	1	
2	E2414103604	BASE COVER	1	
3	E2414103704	BASE COVER	1	
4	E2414103804	BASE COVER	1	
5	E2414104004	BASE COVER	1	
6	E2414104104	BASE COVER	1	
7	E2414104304	BASE COVER	1	
8	0019208020	HEX. HEAD BOLT	29	
9	E2457800604	HOOK, SPLASHER PANEL	2	
10	Y0207008000	SELF-LOCK NUT	4	
11	E2434302203	CENTER FRAME	1	
12	012010030	HEX. HEAD BOLT.....	4.....	REPLACES P/N 0012810030
12A	Y0041210000	FLAT WASHER	4	
13	Y0021104025	MACHINE SCREW	8	
14	EE58989	LIGHT, RECT. SIDE MARKER, AMBER	2	
15	EE58990	LIGHT, RECT. SIDE MARKER, RED	2	
16	29610	LIGHT KIT, STOP/TAIL DLT	2	
17	29552	BRACKET, LICENSE PLATE W/ LIGHT	1	

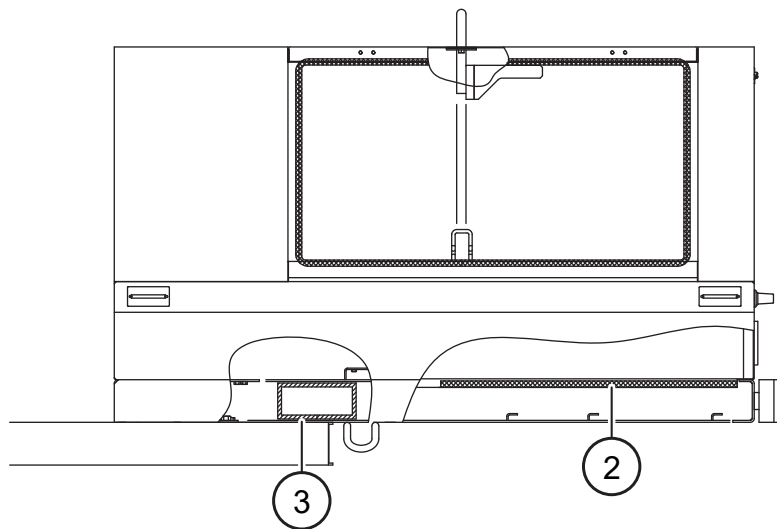
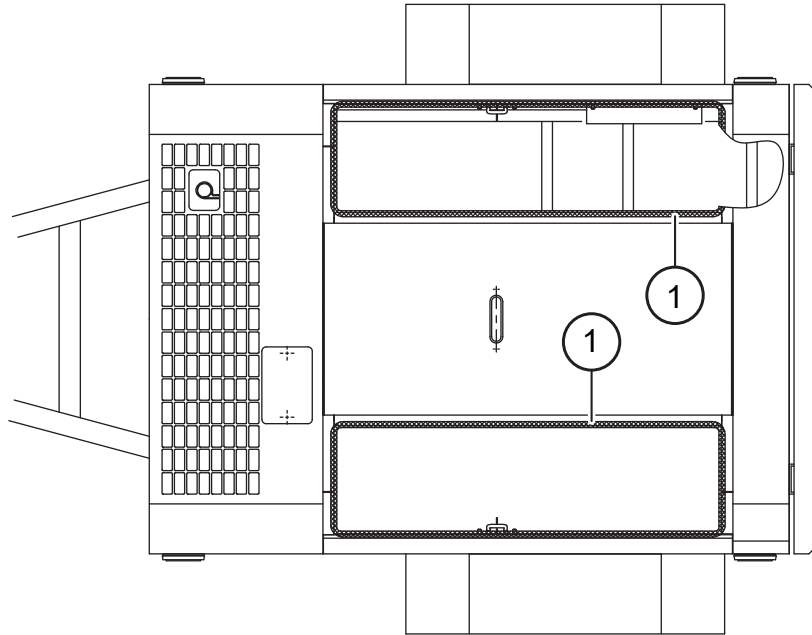
ENCLOSURE 2 ASSY.



ENCLOSURE 2 ASSY.

<u>NO.</u>	<u>PART NO.</u>	<u>PART NAME</u>	<u>QTY.</u>	<u>REMARKS</u>
1	E2424002602	FRONT FRAME	1	
1A	E2494206304	ACOUSTIC SHEET	1	
1B	Y0222100320	SEAL RUBBER	2	
1C	Y0228800385	SEAL RUBBER	2	
1D	E2494206504	SEAL RUBBER	1	
2	011008020	HEX. HEAD BOLT.....	17	REPLACES P/N 0016908020
3	E2424202304	FRONT FRAME COVER	1	
3A	E2494206404	ACOUSTIC SHEET	2	
4	0019208020	HEX. HEAD BOLT	6	
5	E2424202004	RADIATOR CAP COVER	1	
5A	E2491200104	SEAL RUBBER	1	
6	0019208020	HEX. HEAD BOLT	2	
7	E2444003002	REAR FRAME	1	
8	011008020	HEX. HEAD BOLT.....	6	REPLACES P/N 0016908020
9	E2464002403	ROOF PANEL	1	
9A	E2494603204	ACOUSTIC SHEET	1	
9B	E2491600304	SEAL RUBBER	1	
9C	E2491600504	SEAL RUBBER	2	
10	011008020	HEX. HEAD BOLT.....	4	REPLACES P/N 0016908020
11	0019208020	HEX. HEAD BOLT	2	
12	E2311303003	FAN SHROUD	1	
12A	Y0314900355	SEAL RUBBER	2	
13	E2311303103	FAN SHROUD	1	
13A	Y0314900355	SEAL RUBBER	2	
14	011008020	HEX. HEAD BOLT.....	8	REPLACES P/N 0016908020
15	E2311401503	FAN GUARD	1	
16	011008020	HEX. HEAD BOLT.....	7	REPLACES P/N 0016908020
17	E2314800404	ALTERNATOR COVER	1	
18	0016906015	HEX. HEAD BOLT	2	
19	E2454004203	SIDE DOOR	1	
19A	E2494513304	ACOUSTIC SHEET	1	
20	E2454004303	SIDE DOOR	1	
20A	E2494513404	ACOUSTIC SHEET	1	
21	M9112100504	HINGE	2	
22	M9112100404	HINGE	2	
23	M9112100604	HINGE	4	
24	0019208020	HEX. HEAD BOLT	16	
25	Y0605012309	DOOR HANDLE ASSY. W/STUD BOLTS	2	
25A	C9312500004	SEAL RUBBER	2	
26	Y0207006000	SELF-LOCKING NUT	8	
27	Y0605001032	GAS SPRING	2	
28	Y0605001031	BRACKET	4	
29	0016906015	HEX. HEAD BOLT	8	
30	0600800321	MANUAL PAK, 9000-14	1	
31	M1483600804	BOX CLAMPER, MANUAL-PAK	2	
32	0016906015	HEX. HEAD BOLT	4	

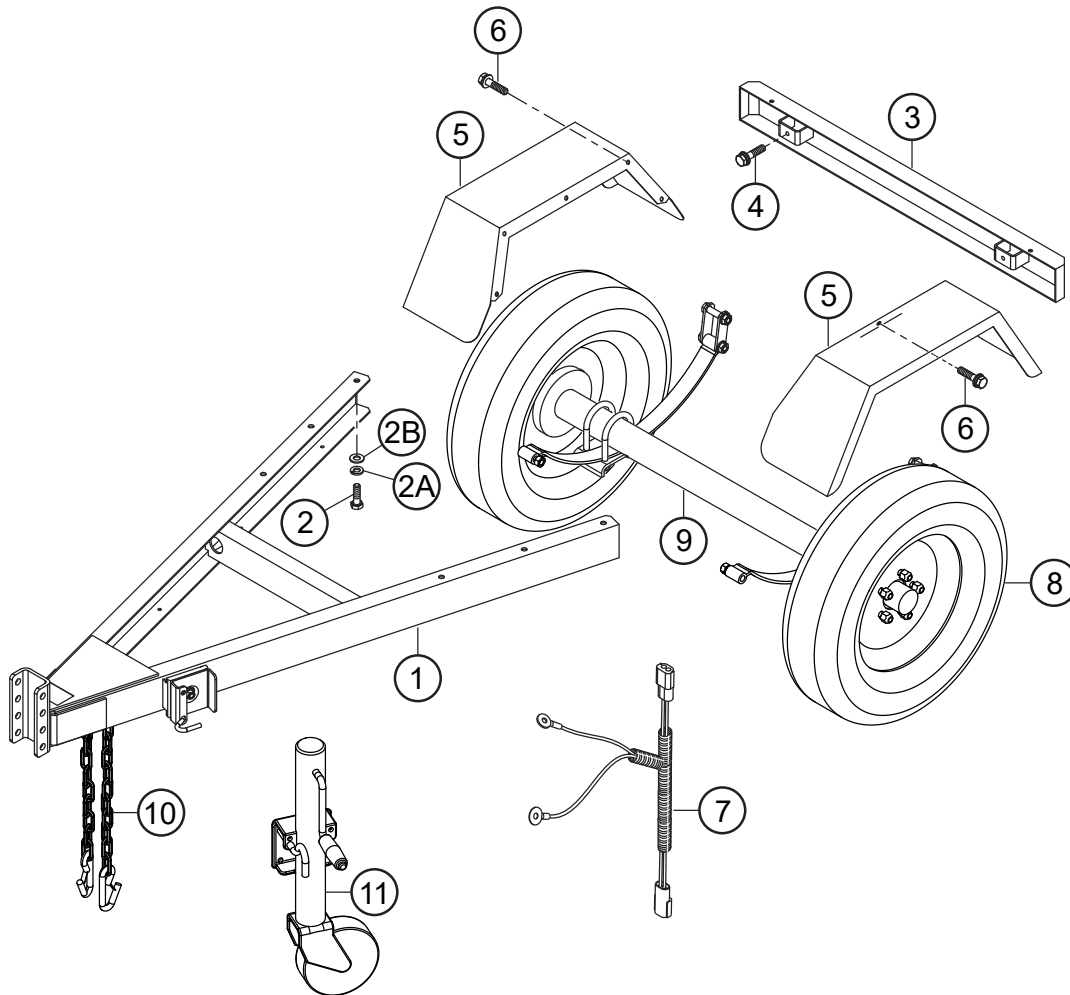
RUBBER SEALS ASSY.



RUBBER SEALS ASSY.

<u>NO.</u>	<u>PART NO.</u>	<u>PART NAME</u>	<u>QTY.</u>	<u>REMARKS</u>
1	Y0419003120	RUBBER SEAL	2	
2	0221700695	RUBBER SEAL	1	
3	Y0411100470	RUBBER SEAL	1	

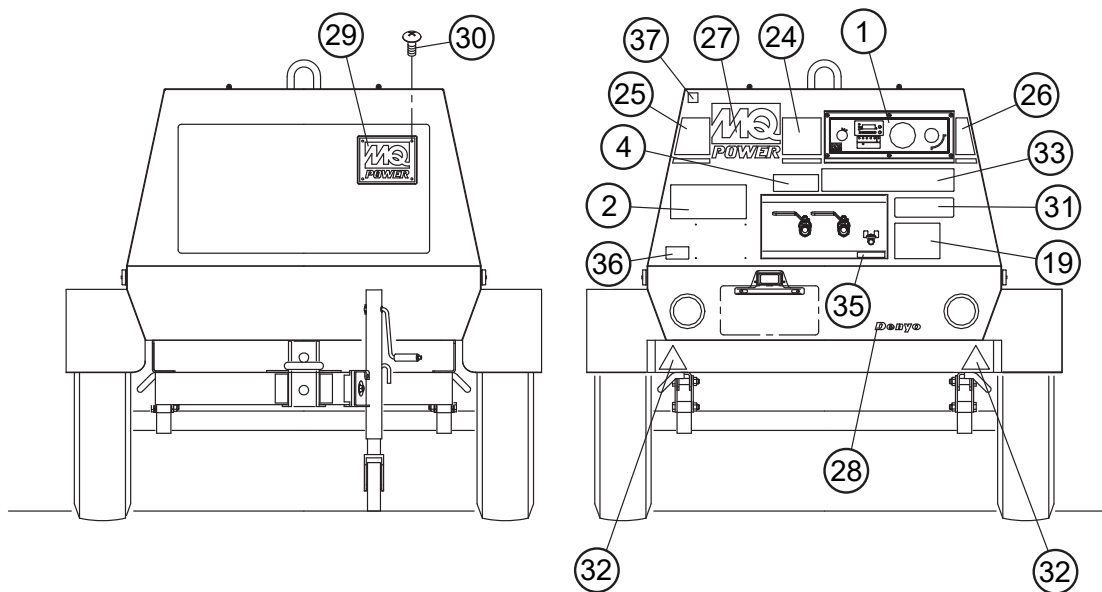
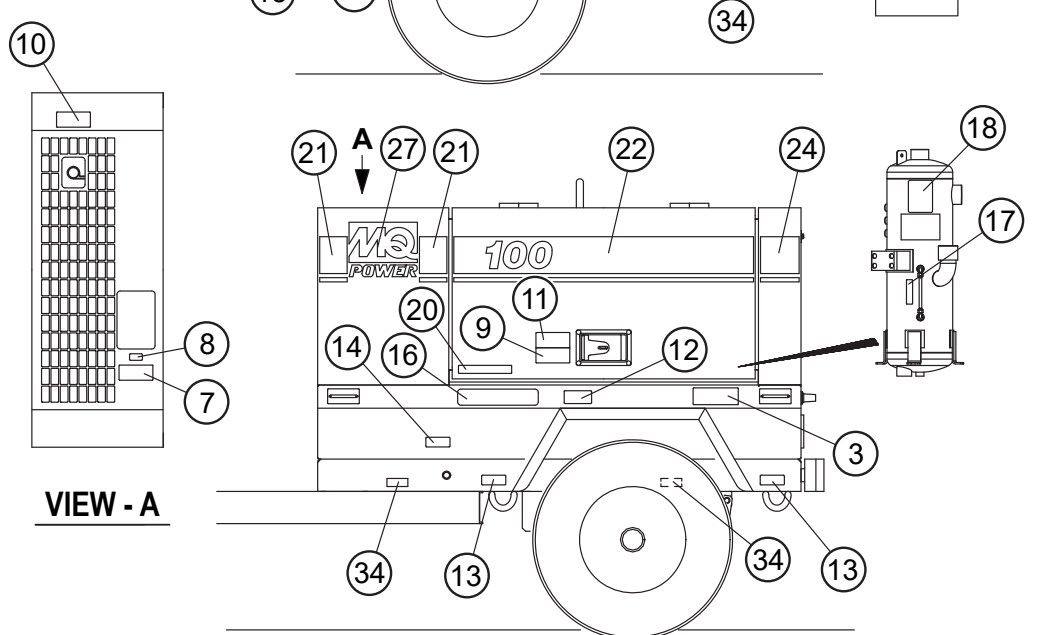
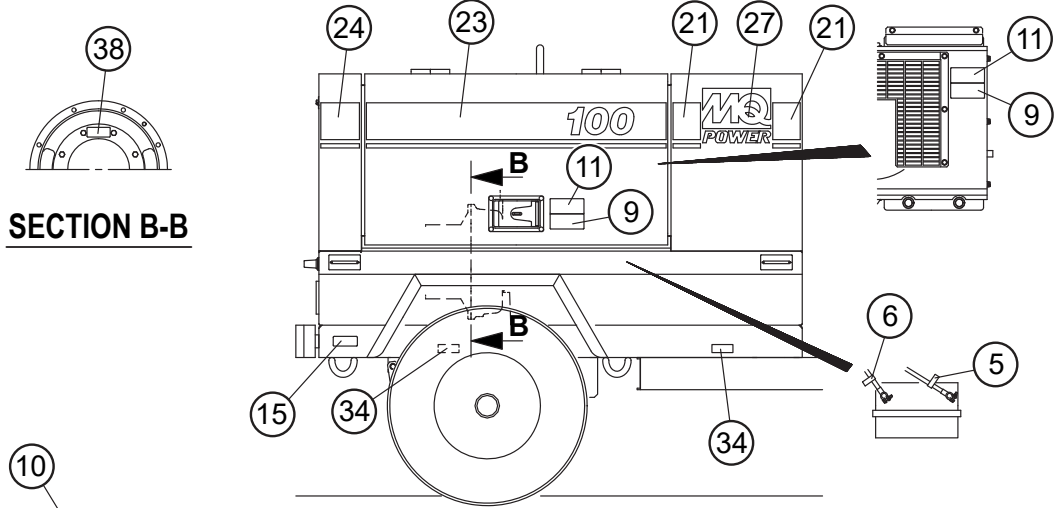
TRAILER ASSY.



TRAILER ASSY.

<u>NO.</u>	<u>PART NO.</u>	<u>PART NAME</u>	<u>QTY.</u>	<u>REMARKS</u>
1	E2417804302	TRACTION ROD	1	
2	0012312030	HEX. HEAD BOLT.....	6.....	REPLACES P/N 0013612030
2A	0040012000	LOCK WASHER	6	
2B	031112230	FLAT WASHER.....	6.....	REPLACES P/N 0041212000
3	E2417804403	REAR BUMPER	1	
4	0016910025	HEX. HEAD BOLT	2	
5	E2454400503	TIRE COVER	2	
6	0019208020	HEX. HEAD BOLT	10	
7	E2355203903	TRAILER WIRE HARNESS	1	
8	EE63287	WHEEL ASSY., ST205/75R14 L/R C	2	
9	EE58462DEX	AXLE ASSY., 3.5K SPRING SUSP.	1	
10	49537	CHAIN, SAFETY TOWING 6600 LB	2	
11	29496	JACK, TRAILER RD 1K LIFT	1	

NAMEPLATE AND DECALS ASSY.



NAMEPLATE AND DECALS ASSY.

<u>NO.</u>	<u>PART NO.</u>	<u>PART NAME</u>	<u>QTY.</u>	<u>REMARKS</u>
1	E2511208303	DECAL: OPERATING PANEL.....	1.....	E21120830
2	E2551002803	DECAL: WARNING SAFETY INSTRUCTION ...	1.....	E25100280
3	E2551003004	DECAL: WARNING HIGH PRESSURE	1.....	E25100300
4	E2551003104	DECAL: WARNING RESIDUAL PRESSURE ...	1.....	E25100310
5	M9500300104	DECAL: +	1.....	M90030010
6	M9500300004	DECAL: -	1.....	M90030000
7	M9503100004	DECAL: WARNING RADIATOR CAP	1.....	M90310000
8	M9500100004	DECAL: WATER	1.....	M90010000
9	M9510100004	DECAL: CAUTION HIGH TEMP.	3.....	M91010000
10	M9503200004	DECAL: WARNING EXHAUST GAS	1.....	M90320000
11	M9503000004	DECAL: WARNING ROTATING PART	3.....	M90300000
12	M9501500004	DECAL: DIESEL FUEL	1.....	M90150000
13	M9500000004	DECAL: OIL DRAIN	2.....	M90000000
14	M9500100104	DECAL: WATER DRAIN	1.....	M90010010
15	M9500500104	DECAL: FUEL DRAIN.....	1.....	M90050010
16	M9503000103	DECAL: DAILY CHECK WATER AND OIL.....	1.....	M90300010
17	E2531200104	DECAL: COMP. OIL LEVEL GAUGE	1.....	E23120010
18	E9541102104	DECAL: DISCHARGE AIR OIL MIXED	1.....	E94110210
19	E2531100303	DECAL: NOISE EMISSION	1.....	E23110030
20	M9510000104	DECAL: DOCUMENT BOX LOCATED	1.....	M91000010
21	E2561100904	STRIPE	4	
22	E2561101003	STRIPE	1	
23	E2561101103	STRIPE	1	
24	E2561101204	STRIPE	3	
25	E2561101304	STRIPE	1	
26	E2561101404	STRIPE	1	
27	E2561002904	STICKER, MQ	3	
28	E9511202104	STICKER, DENYO	1	
29	0600500092	EMBLEM	1	
30	0021106015	MACHINE SCREW	4	
31	M9511200103	TIER 4F.....	1.....	M91120010
32	W6140635004	REFLECTION SHEET	2	
33	E2551004003	DECAL: HANDLING PROCEDURES	1.....	E25100400
34	E9511102704	DECAL: FORK POSITION.....	4.....	E91110270
35	E2551004104	DECAL: COLD START RUN VALVE.....	1.....	E25100410
36	M9504200104	DECAL: WARNING PROPOSITION 65.....	1.....	M90420010
37	Y0600500094	E-CORT MARK	1	
38	E9531100304	DECAL: NEVER HAMMER.....	1.....	E93110030

PARTS MANUAL

HERE'S HOW TO GET HELP

PLEASE HAVE THE MODEL AND SERIAL
NUMBER ON HAND WHEN CALLING

UNITED STATES

Multiquip Inc.

(310) 537- 3700
6141 Katella Avenue Suite 200
Cypress, CA 90630
E-MAIL: mq@multiquip.com
WEBSITE: www.multiquip.com

CANADA

Multiquip

(450) 625-2244
4110 Industriel Boul.
Laval, Quebec, Canada H7L 6V3
E-MAIL: infocanada@multiquip.com

UNITED KINGDOM

Multiquip (UK) Limited Head Office

0161 339 2223
Unit 2, Northpoint Industrial Estate, Globe Lane,
Dukinfield, Cheshire SK16 4UJ
E-MAIL: sales@multiquip.co.uk

© COPYRIGHT 2023, MULTIQUIP INC.

Multiquip Inc, the MQ logo are registered trademarks of Multiquip Inc. and may not be used, reproduced, or altered without written permission. All other trademarks are the property of their respective owners and used with permission.

This manual MUST accompany the equipment at all times. This manual is considered a permanent part of the equipment and should remain with the unit if resold.

The information and specifications included in this publication were in effect at the time of approval for printing. Illustrations, descriptions, references and technical data contained in this manual are for guidance only and may not be considered as binding. Multiquip Inc. reserves the right to discontinue or change specifications, design or the information published in this publication at any time without notice and without incurring any obligations.

Manufactured for
MQ Power Inc.
by
DENYO MANUFACTURING CORP.

