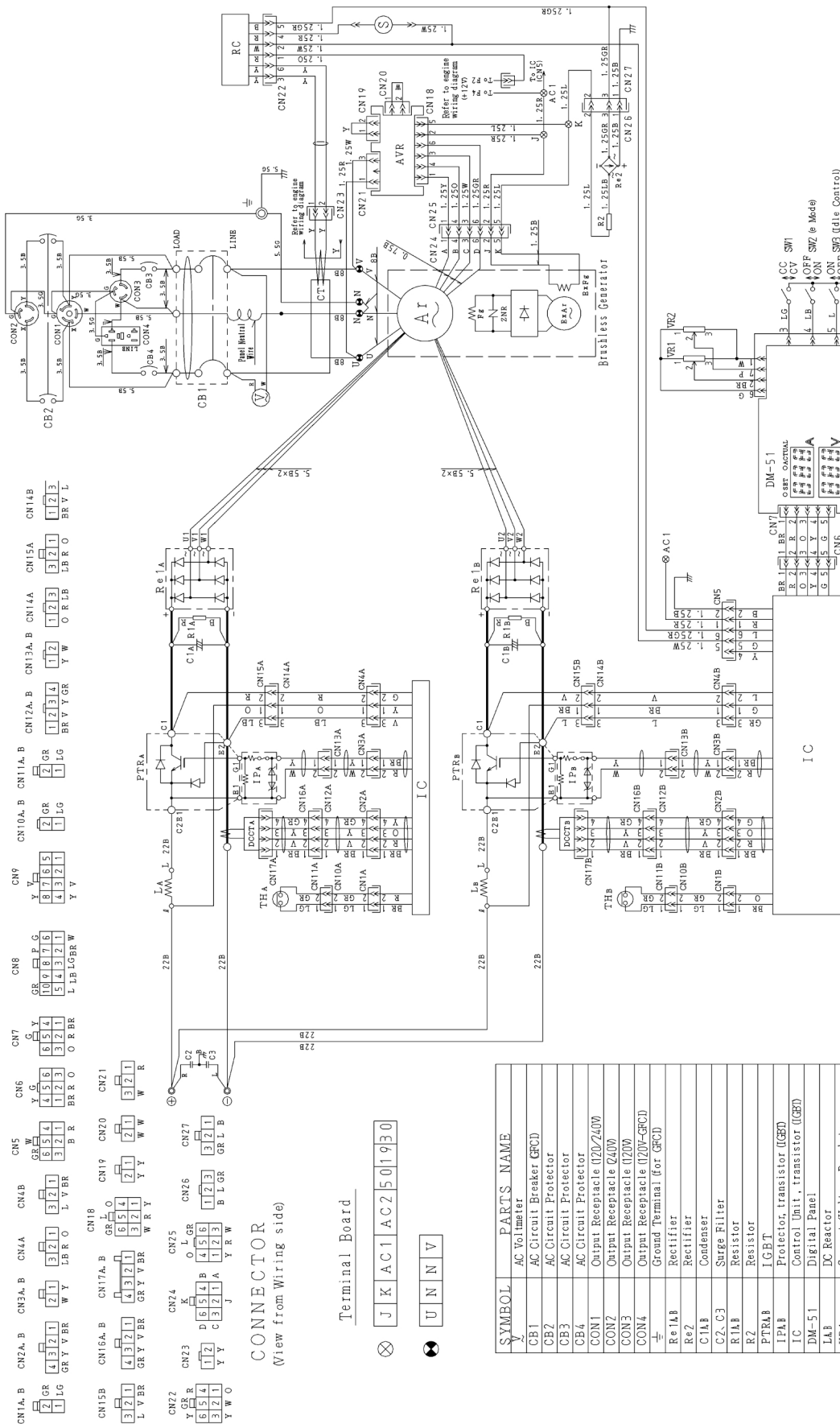


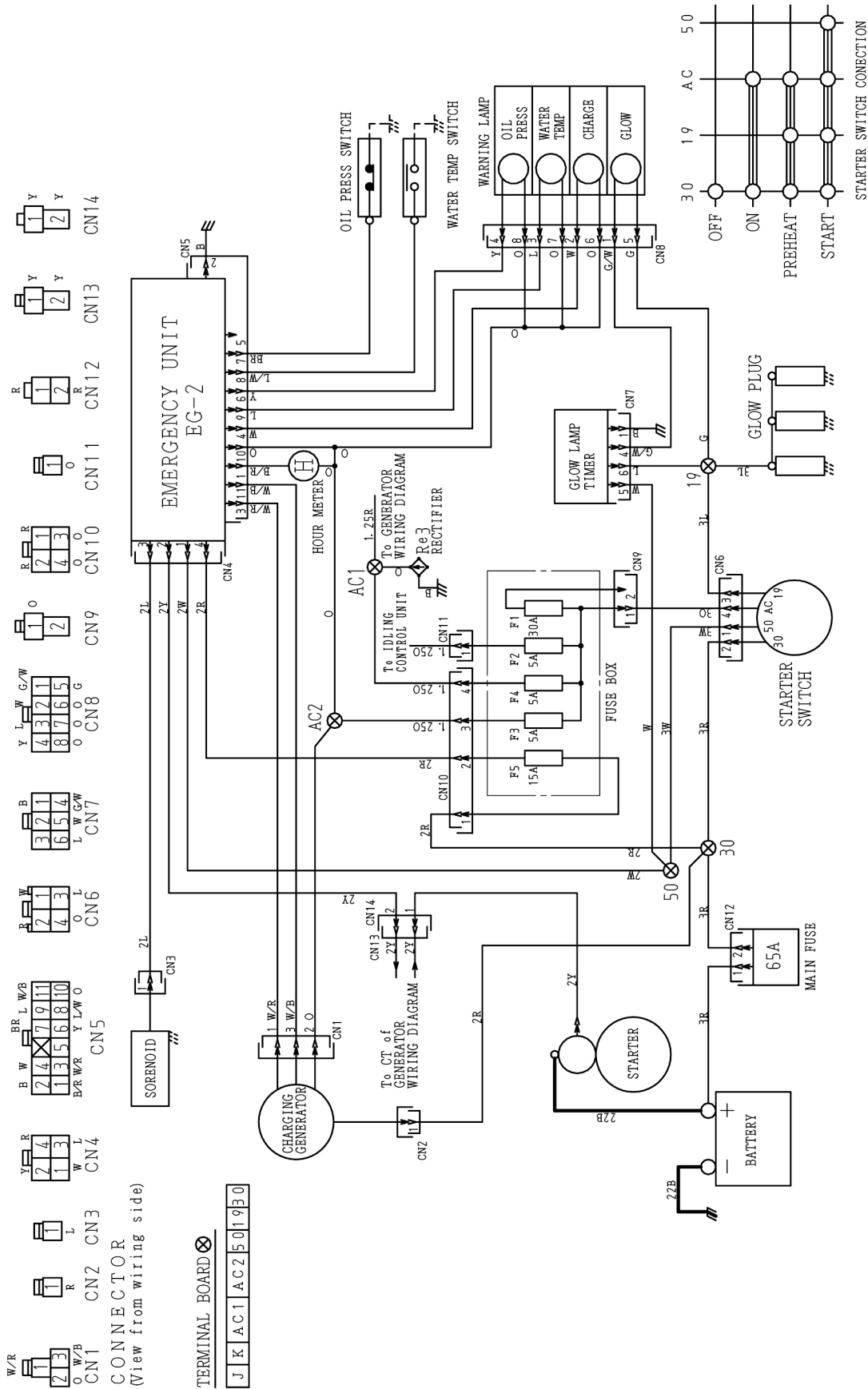
# 15. GENERATOR WIRING DIAGRAM



Wire Size	WIRING COLOR	SYMBOL	COLOR
1.25 : 1.25mm <sup>2</sup>			
2 : 2mm <sup>2</sup>	BLACK	B	RED
3.5 : 3.5mm <sup>2</sup>	BLUE	L	WHITE
5.5 : 5.5mm <sup>2</sup>	BROWN	BR	YELLOW
8 : 8mm <sup>2</sup>	GREEN	G	LIGHT BLUE
22 : 22mm <sup>2</sup>	GRAY	GR	LIGHT GREEN
	VIOLET	V	ORANGE
	PINK	P	

SYMBOL	PARTS NAME
⊗	AC Voltmeter
⊙	AC Circuit Breaker (GFCI)
⊕	AC Circuit Protector
⊖	AC Circuit Protector
⊗	AC Circuit Protector
⊙	AC Circuit Protector
⊕	Output Receptacle (120/240V)
⊖	Output Receptacle (240V)
⊗	Output Receptacle (120V)
⊙	Output Receptacle (120V-GFCI)
⊕	Ground Terminal (for GFCI)
⊖	Rectifier
⊗	Rectifier
⊙	Capacitor
⊕	Surge Filter
⊖	Resistor
⊗	Resistor
⊙	IGBT
⊕	Protector, transistor (IGBT)
⊖	Control Unit, transistor (IGBT)
⊗	Digital Panel
⊙	DC Reactor
⊕	Current/Voltage Regulator
⊖	Atc Force Regulator
⊗	DC Current Transformer
⊙	Welding Mode Selector Switch (CC/CV)
⊕	Idle control Switch
⊖	Thermostat
⊗	DC Welding Output Terminal
⊙	Terminal Board
⊕	Automatic Voltage Regulator
⊖	Control Unit, idle control
⊗	Current Transformer
⊙	Rotary Solenoid

# 16. ENGINE WIRING DIAGRAM



WIRING COLOR CODE		
Wire Size	SYMBOL	COLOR
1.25-1.25mm	B	BLACK
2	R	RED
3	L	BLUE
22	BR	BROWN
	Y	YELLOW
	G	GREEN
	LB	LIGHT BLUE
	GR	GRAY
	LG	LIGHT GREEN
	V	VIOLET
	O	ORANGE
NO MARK: 0.75mm	P	PINK