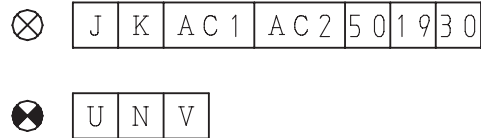
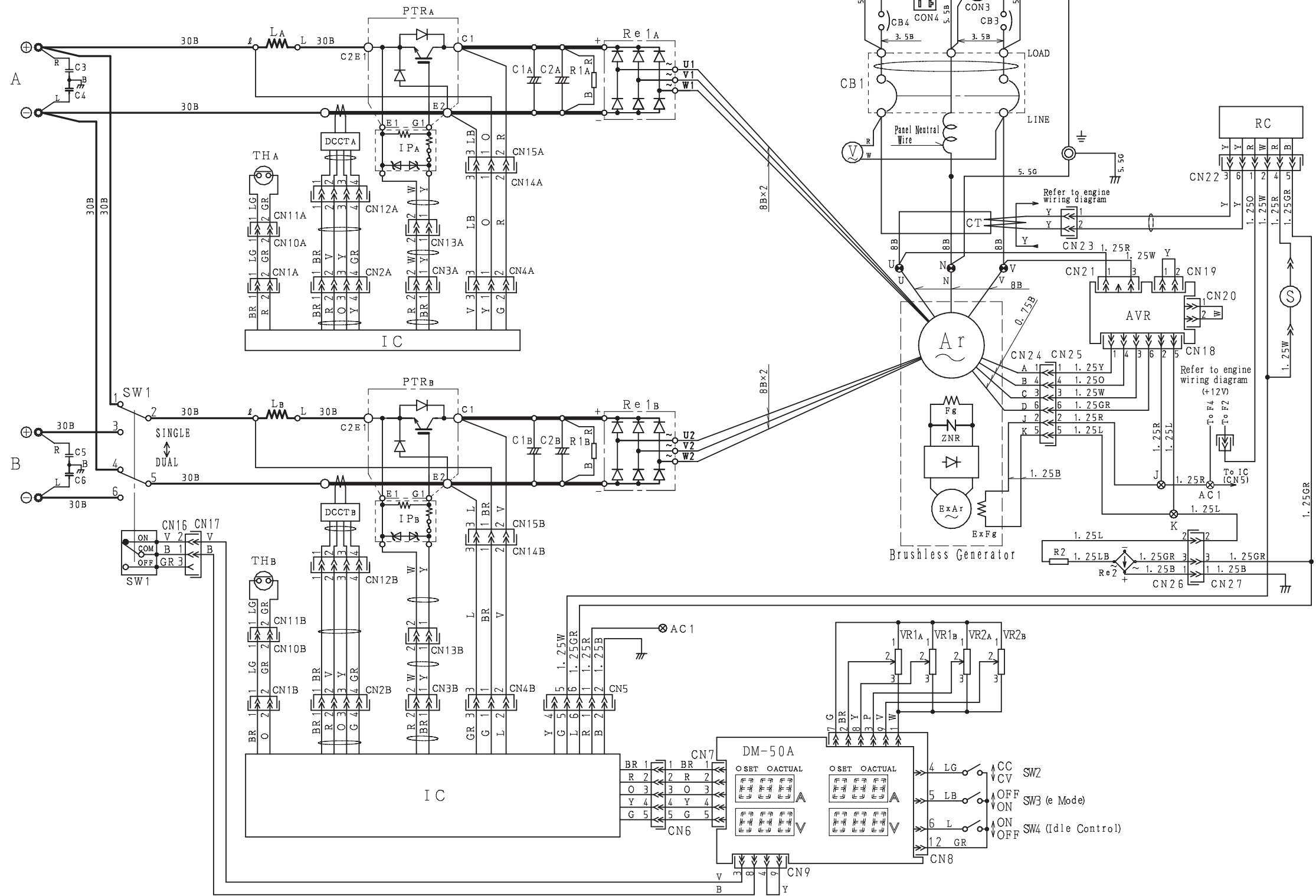


CONNECTOR
(View from Wiring side)

Terminal Board

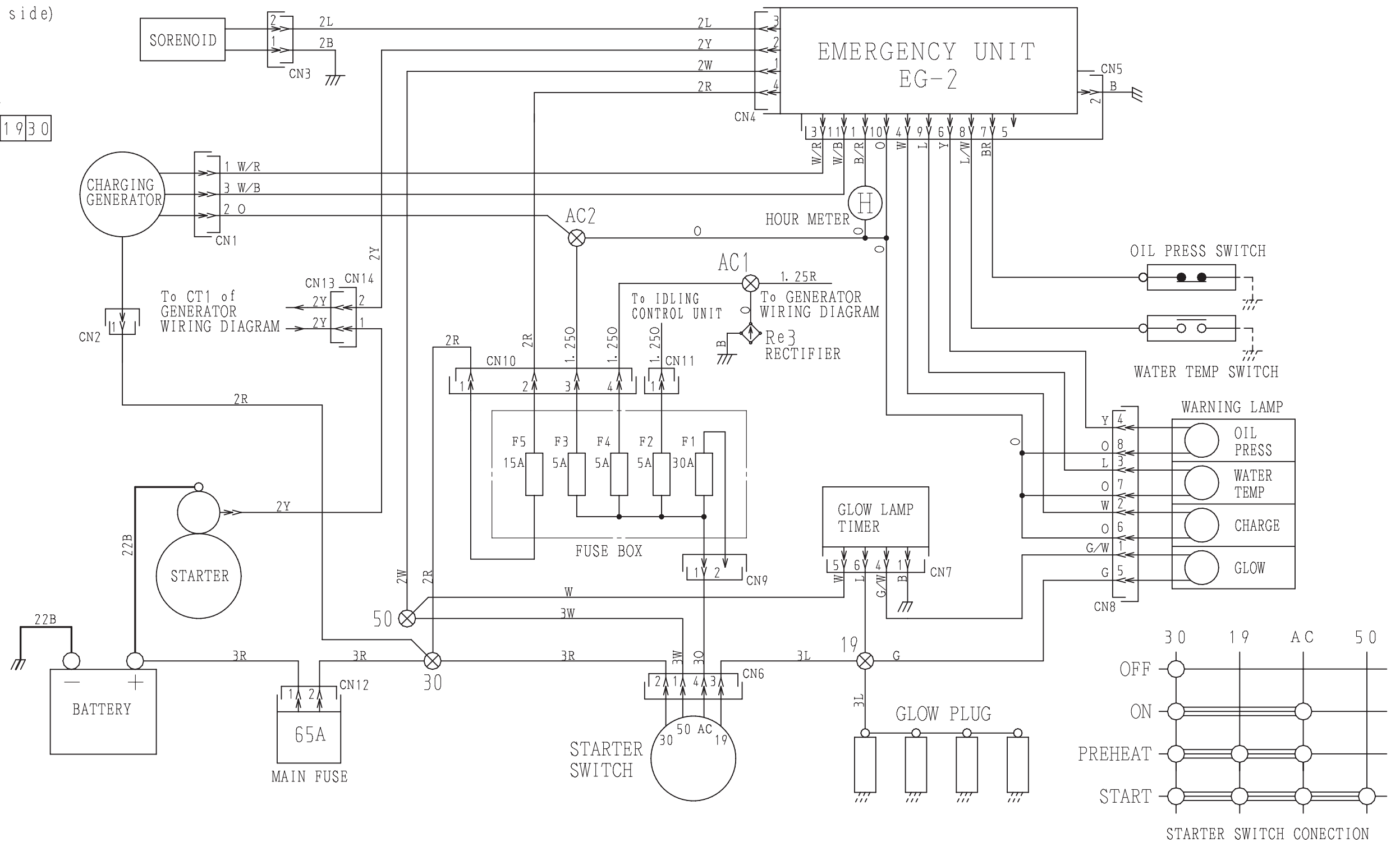
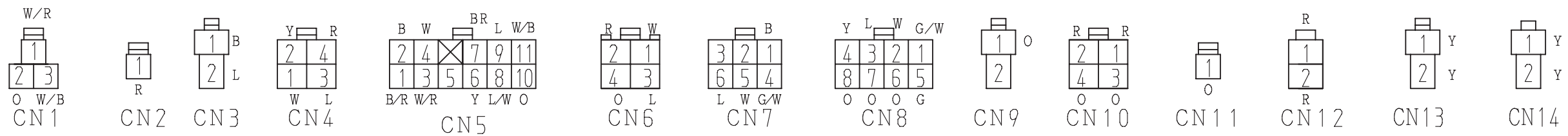


SYMBOL	PARTS NAME
	AC Voltmeter
CB1	AC Circuit Breaker (GFCI)
CB2	AC Circuit Protector
CB3	AC Circuit Protector
CB4	AC Circuit Protector
CON1	Output Receptacle (120/240V)
CON2	Output Receptacle (240V)
CON3	Output Receptacle (120V)
CON4	Output Receptacle (120V)
	Ground Terminal (for GFCI)
Re1A,B	Rectifier
Re2	Rectifier
C1A,B	Condenser
C2A,B	Condenser
C3~C6	Surge Filter
R1A,B	Resistor
R2	Resistor
PTRA,B	IGBT
IPA,B	Protector, transistor (IGBT)
IC	Control Unit, transistor (IGBT)
DM-50A	Digital Panel
LA,B	DC Reactor
VR1A,B	Current/Voltage Regulator
VR2A,B	Arc Force Regulator
DCCTA,B	DC Current Transformer
SW1	Single-Dual Selector Switch
SW2	Welding Mode Selector Switch (CC/CV)
SW3	e mode Selector Switch
SW4	Idle control Switch
THA,B	Thermostat
	DC Welding Output Terminal
	Terminal Board
AVR	Automatic Voltage Regulator
RC	Control Unit, idle control
CT	Current Transformer
S	Rotary Solenoid



Wire Size	WIRING COLOR CODE			
1.25: 1.25mm ²	SYMBOL	COLOR	SYMBOL	COLOR
2: 2mm ²	B	BLACK	R	RED
3.5: 3.5mm ²	L	BLUE	W	WHITE
5.5: 5.5mm ²	BR	BROWN	Y	YELLOW
8: 8mm ²	G	GREEN	LB	LIGHT BLUE
30: 30mm ²	GR	GRAY	LG	LIGHT GREEN
	V	VIOLET	O	ORANGE
NO MARK: 0.75mm ²	P	PINK		

DLW400ESA GFCI GENERATOR
WIRING DIAGRAM



Wire Size	WIRING COLOR CODE			
1.25: 1.25mm ²	SYMBOL	COLOR	SYMBOL	COLOR
2: 2mm ²	B	BLACK	R	RED
3: 3mm ²	L	BLUE	W	WHITE
22: 22mm ²	BR	BROWN	Y	YELLOW
	G	GREEN	LB	LIGHT BLUE
	GR	GRAY	LG	LIGHT GREEN
	V	VIOLET	O	ORANGE
NO MARK: 0.75mm ²	P	PINK		

DLW400ESA GFCI ENGINE WIRING DIAGRAM