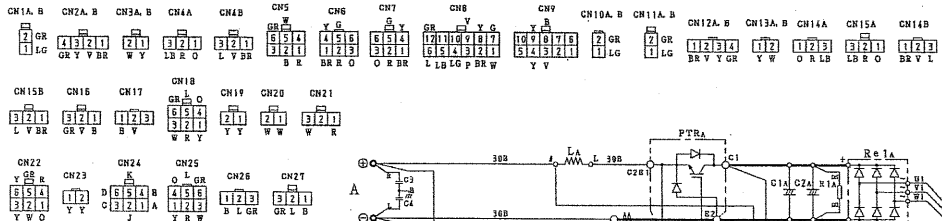
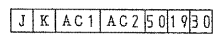


15. GENERATOR WIRING DIAGRAM

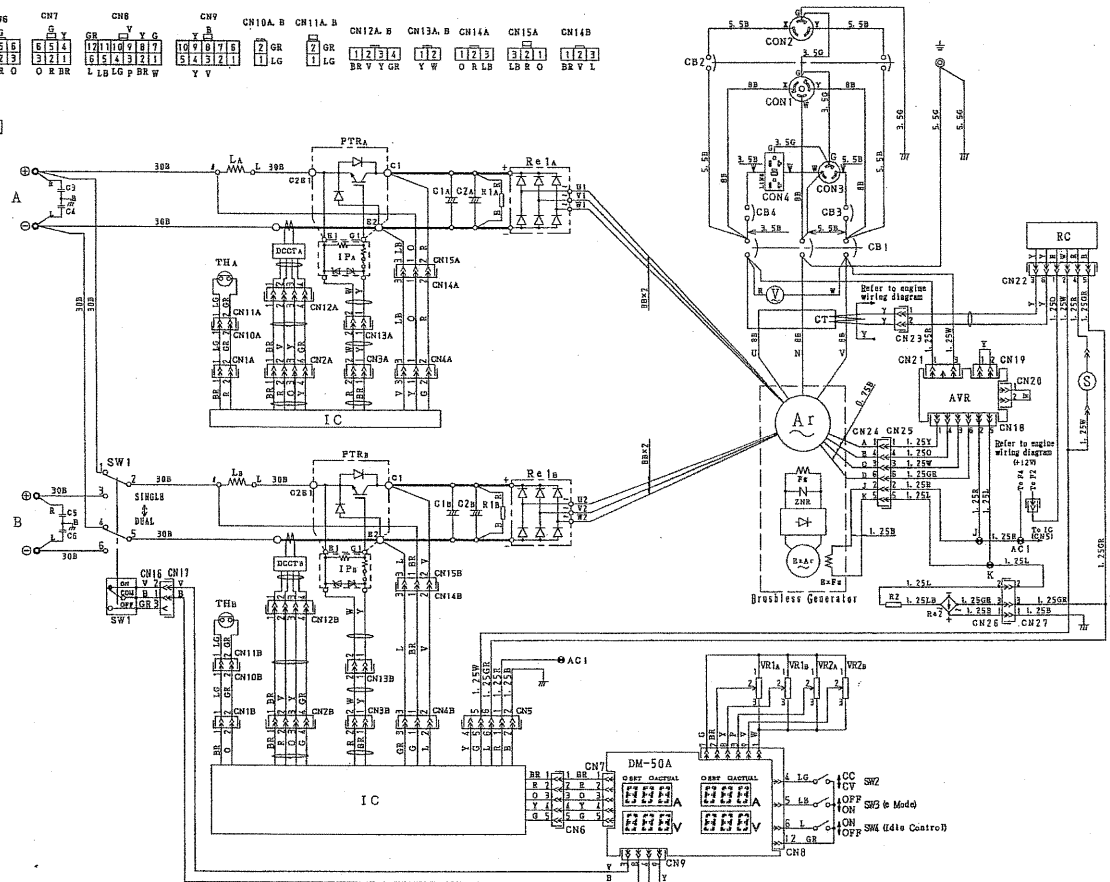


**CONNECTOR**  
(View from Wiring side)

Terminal Board

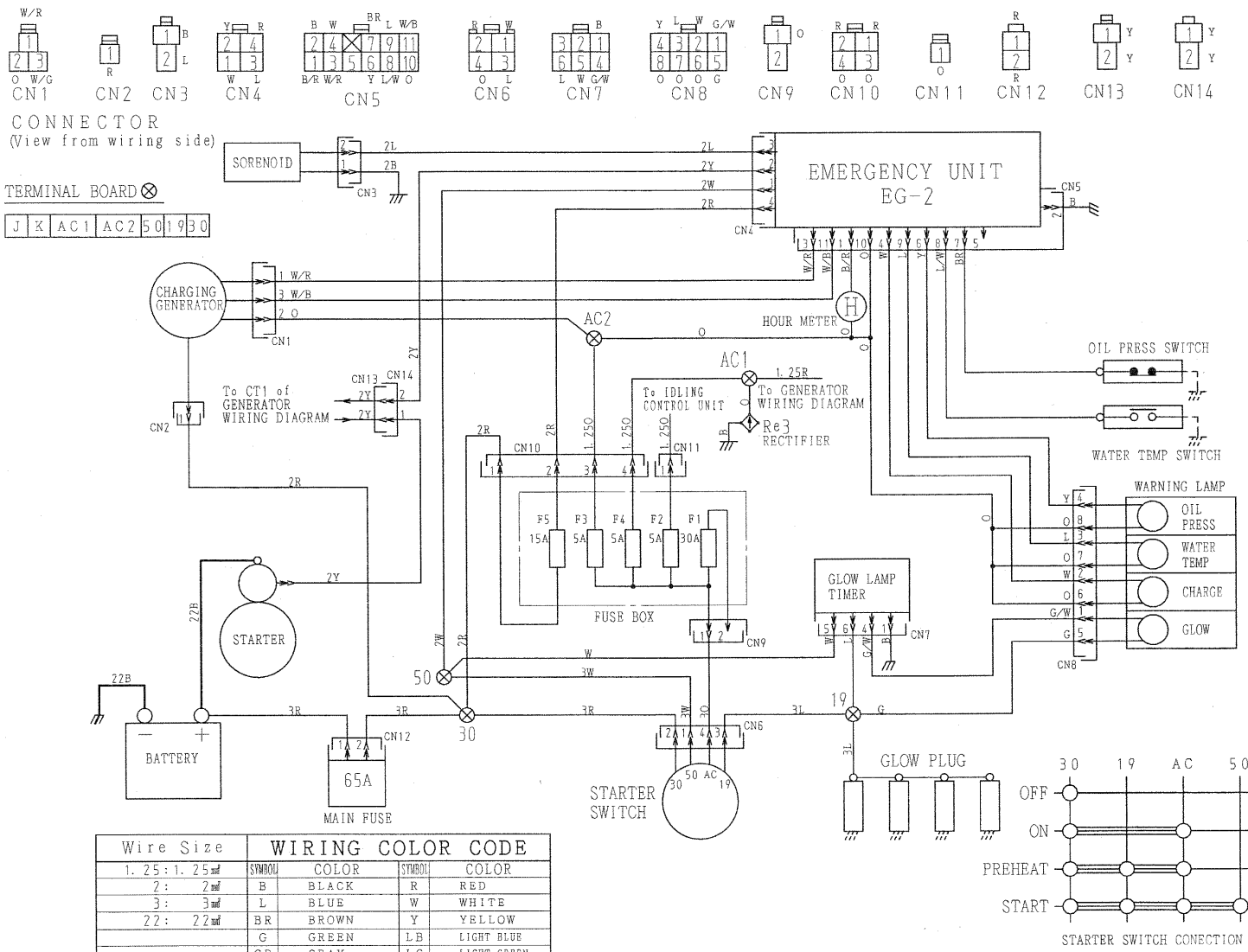


| SYMBOL | PARTS NAME                         |
|--------|------------------------------------|
| AVR    | AC Voltmeter                       |
| CB1    | AC Circuit Breaker                 |
| CB2    | AC Circuit Protector               |
| CB3    | AC Circuit Protector               |
| CB4    | AC Circuit Protector               |
| CON1   | Output Receptacle (120/240V)       |
| CON2   | Output Receptacle (240V)           |
| CON3   | Output Receptacle (120V)           |
| CON4   | Output Receptacle (120V-GFCD)      |
| ⊕      | Ground Terminal for GFCD           |
| Re1A   | Rectifier                          |
| Re2    | Rectifier                          |
| C1A    | Condenser                          |
| C2A    | Condenser                          |
| C3-C6  | Surge Filter                       |
| R1A    | Resistor                           |
| R2     | Resistor                           |
| PTRA   | IGBT                               |
| IPL    | Protector, transistor (GFCD)       |
| IC     | Control Unit, transistor (GFCD)    |
| DM-50A | Digital Panel                      |
| LA     | DC Reactor                         |
| VR1A   | Current/Voltage Regulator          |
| VR2A   | Arc Force Regulator                |
| DCCTA  | DC Current Transformer             |
| SW1    | Single-Dual Selector Switch        |
| SW2    | Welding Mode Selector Switch CC-CV |
| SW3    | e mode Selector Switch             |
| SW4    | Idle control Switch                |
| THA    | Thermostat                         |
| Ⓢ      | DC Welding Output Terminal         |
| Ⓢ      | Terminal Board                     |
| AVR    | Automatic Voltage Regulator        |
| RC     | Control Unit, idle control         |
| CT     | Current Transformer                |
| S      | Relay Solenoid                     |



| Wire Size     | WIRING COLOR CODE |          |                |       |
|---------------|-------------------|----------|----------------|-------|
| 1.25 : 1.25mm | STRIP             | COLOR    | STRIP          | COLOR |
| 2 :           | 2mm               | B BLACK  | R RED          |       |
| 3.5 :         | 3.5mm             | L BLUE   | W WHITE        |       |
| 5.5 :         | 5.5mm             | BR BROWN | Y YELLOW       |       |
| 8 :           | 8mm               | G GREEN  | LB LIGHT BLUE  |       |
| 30 :          | 30mm              | GR GRAY  | LG LIGHT GREEN |       |
|               |                   | V VIOLET | O ORANGE       |       |
| NO MARK :     | 0.75mm            | P PINK   |                |       |

16. ENGINE WIRING DIAGRAM



CONNECTOR  
(View from wiring side)

TERMINAL BOARD ⊗  
J K AC1 AC2 50 19 30

| Wire Size       | WIRING COLOR CODE |        |        |             |
|-----------------|-------------------|--------|--------|-------------|
|                 | SYMBOL            | COLOR  | SYMBOL | COLOR       |
| 1.25: 1.25mm    |                   |        |        |             |
| 2: 2mm          | B                 | BLACK  | R      | RED         |
| 3: 3mm          | L                 | BLUE   | W      | WHITE       |
| 22: 22mm        | BR                | BROWN  | Y      | YELLOW      |
|                 | G                 | GREEN  | LB     | LIGHT BLUE  |
|                 | GR                | GRAY   | LG     | LIGHT GREEN |
|                 | V                 | VIOLET | O      | ORANGE      |
| NO MARK: 0.75mm | P                 | PINK   |        |             |

