

PARTS MANUAL



MODEL EHHNK5 RIDE-ON TROWEL (KOHLER 35HP DIESEL ENGINE)

Revision #6 (03/31/26)

To find the latest revision of this publication or associated operation manual, visit our website at: www.multiquip.com



THIS MANUAL MUST ACCOMPANY THE EQUIPMENT AT ALL TIMES.

PN: 40019

TABLE OF CONTENTS

EHHNK5 Ride-On Trowel

Explanation of Code in Remarks Column.....	4
Suggested Spare Parts	5

Component Drawings

Nameplate and Decals	6-7
Steering Control Handle Assembly.....	8-9
Steering Control (Assist) Assembly	10-11
Pivot Assembly	12-13
Gearbox Assembly	14-15
Pitch Control Tower Assembly	16-19
Pitch Control Drive Cable Assembly.....	20-21
Fuel Tank Assembly.....	22-23
Drive Assembly.....	24-25
Engine Mounting Assembly	26-27
Engine Clutch Assembly.....	28-29
Engine Service Parts	30-31

Engine Components Assembly.....	32-33
Left-Side Spider Assembly	34-35
Right-Side Spider Assembly	36-37
Stabilizer Ring Assembly	38-39
Seat and Frame Assembly	40-41
Frame and Components Assembly	42-43
Throttle Assembly.....	44-45
Battery Assembly.....	46-47
Spray Assembly.....	48-49
Lights Assembly.....	50-51
Front Panel Assembly.....	52-53
Top Right Control Panel Assembly	54-55
Top Left Control Panel Assembly.....	56-57
Harness Assembly.....	58-61
E-Z Mover and Lift Handle Assembly	62-63

NOTICE

Specifications and part numbers are subject to change without notice.

EXPLANATION OF CODE IN REMARKS COLUMN

The following section explains the different symbols and remarks used in the Parts section of this manual. Use the help numbers found on the back page of the manual if there are any questions.

NOTICE

The contents and part numbers listed in the parts section are subject to change **without notice**. Multiquip does not guarantee the availability of the parts listed.

SAMPLE PARTS LIST

NO.	PART NO.	PART NAME	QTY.	REMARKS
1	12345	BOLT.....	1	INCLUDES ITEMS W/%
2%		WASHER, 1/4 IN.....		NOT SOLD SEPARATELY
2%	12347	WASHER, 3/8 IN....	1	MQ-45T ONLY
3	12348	HOSE		A/R ...MAKE LOCALLY
4	12349	BEARING	1	S/N 2345B AND ABOVE

NO. Column

Unique Symbols — All items with same unique symbol

(@, #, +, %, or >) in the number column belong to the same assembly or kit, which is indicated by a note in the “Remarks” column.

Duplicate Item Numbers — Duplicate numbers indicate multiple part numbers, which are in effect for the same general item, such as different size saw blade guards in use or a part that has been updated on newer versions of the same machine.

NOTICE

When ordering a part that has more than one item number listed, check the remarks column for help in determining the proper part to order.

PART NO. Column

Numbers Used — Part numbers can be indicated by a number, a blank entry, or TBD.

TBD (To Be Determined) is generally used to show a part that has not been assigned a formal part number at the time of publication.

A blank entry generally indicates that the item is not sold separately or is not sold by Multiquip. Other entries will be clarified in the “Remarks” Column.

QTY. Column

Numbers Used — Item quantity can be indicated by a number, a blank entry, or A/R.

A/R (As Required) is generally used for hoses or other parts that are sold in bulk and cut to length.

A blank entry generally indicates that the item is not sold separately. Other entries will be clarified in the “Remarks” Column.

REMARKS Column

Some of the most common notes found in the “Remarks” Column are listed below. Other additional notes needed to describe the item can also be shown.

Assembly/Kit — All items on the parts list with the same unique symbol will be included when this item is purchased.

Indicated by:

“INCLUDES ITEMS W/(unique symbol)”

Serial Number Break — Used to list an effective serial number range where a particular part is used.

Indicated by:

“S/N XXXXX AND BELOW”

“S/N XXXX AND ABOVE”

“S/N XXXX TO S/N XXX”

Specific Model Number Use — Indicates that the part is used only with the specific model number or model number variant listed. It can also be used to show a part is NOT used on a specific model or model number variant.

Indicated by:

“XXXXX ONLY”

“NOT USED ON XXXX”

“Make/Obtain Locally” — Indicates that the part can be purchased at any hardware shop or made out of available items. Examples include battery cables, shims, and certain washers and nuts.

“Not Sold Separately” — Indicates that an item cannot be purchased as a separate item and is either part of an assembly/kit that can be purchased, or is not available for sale through Multiquip.

SUGGESTED SPARE PARTS

EHHNK5 WITH KOHLER DIESEL ENGINE

1 to 3 units

Qty.	P/N	Description
1.....	23365.....	BELT, CVT MULTI-CLUTCH
1.....	2108.....	CAP, SPRAY TANK
1.....	23515.....	CAP, RATCHET W/GAUGE
1.....	23518.....	CABLE, THROTTLE
3.....	20445.....	OIL, HELICAL SERVICE 24 OZ.
1.....	23284-050	FUSE, 5 AMP
1.....	23284-100	FUSE, 10 AMP
1.....	23284-150	FUSE, 15 AMP
1.....	32594.....	RELAY, 80AMP, 12 VDC
2.....	2829-1	ARM, TROWEL HD EXT.
4.....	11039.....	BUSHING, TROWEL LG. ARM
2.....	23959-01	IGNITION KEY W/BOOT

KOHLER KDW1404-5009A DIESEL ENGINE

1 to 3 units

Qty.	P/N	Description
1.....	ED0067450930-S	SWITCH, OIL PRESS.
2.....	ED0021752880-S	FILTER, FUEL
3.....	ED0021752850-S	FILTER, OIL
1.....	ED0021751650S	FILTER, AIR
1.....	ED0021931340.....	RELAY, GLOW PLUGS

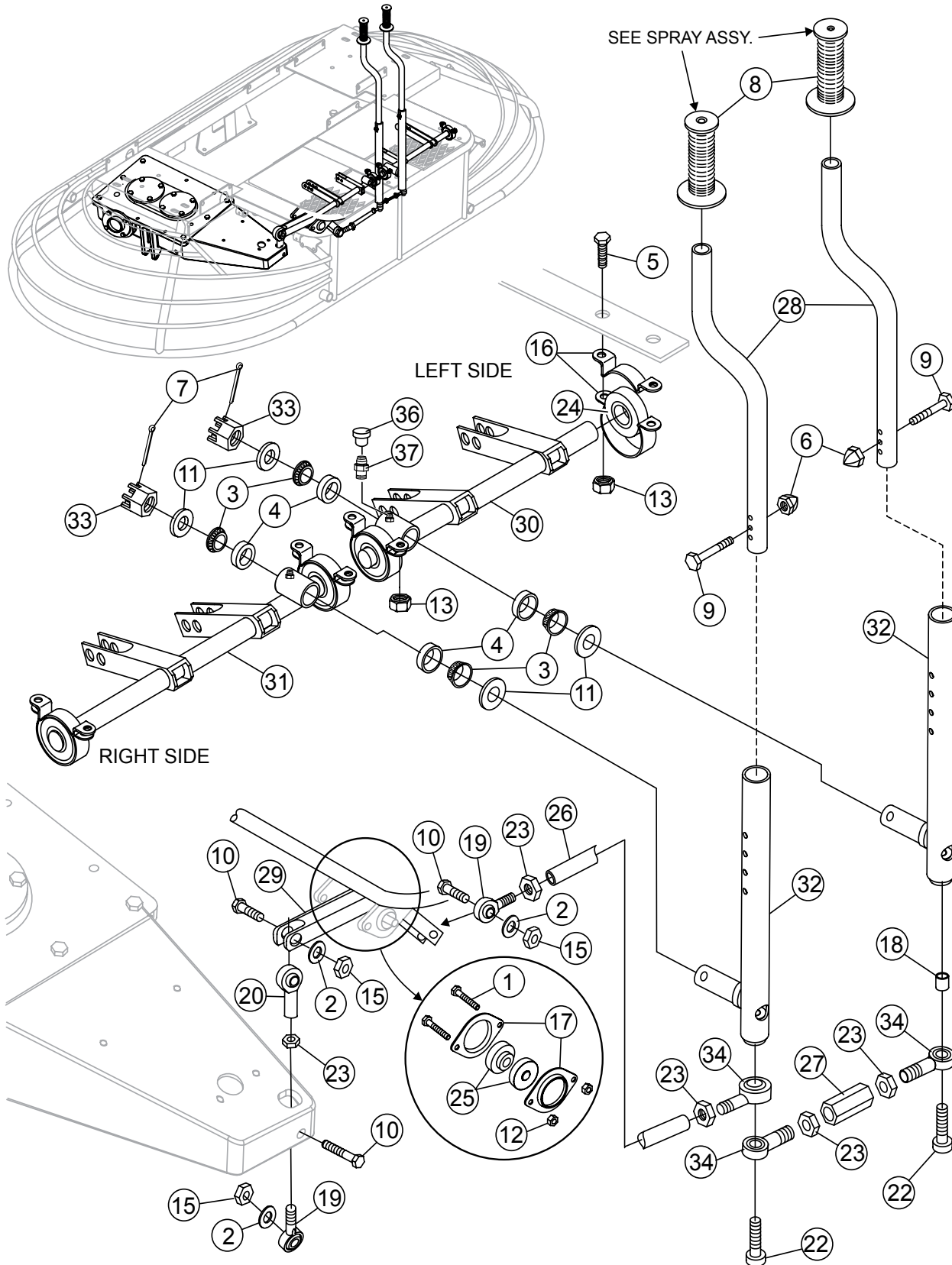
NOTICE

Part numbers on this Suggested Spare Parts list may supersede/replace the part numbers shown in the following parts lists.

NAMEPLATE AND DECALS

<u>NO.</u>	<u>PART NO.</u>	<u>PART NAME</u>	<u>QTY.</u>	<u>REMARKS</u>
1	23804	ISO DECAL, DO NOT DISASSEMBLE CYL.HAZARD, 2.00" DIA.	4	
2	23809	DECAL, LUBRICATION POINT 2.0" X 1.0"	3	
3	23874	ISO DECAL, DO NOT REMOVE GUARDS HAZARD, 2.00" DIA.	2	
4	36099	ISO DECAL, PROTECTIVE CLOTHING, 3.50" X 1.13"	1	
5	23699	ISO DECAL, READ MANUAL, 2.00" DIA.	1	
6	23701	ISO DECAL, ASK FOR TRAINING, 2.00" DIA.	1	
7	23235	BADGE, FOOT PLATFORM	1	
8	23803-106	ISO DECAL, GUARANTEED SOUND POWER LEVEL, 1.41" X 1.57"	1	
9	23700	ISO DECAL, LIFTING/CRUSH, 2.4" X 2.0"	2	
10	23698	ISO DECAL, ROTATING BLADE HAZARD, 2.00" DIA.	2	
11	23807	DECAL, PITCH, LH 2.0" DIA.	1	
12	23808	ISO DECAL, HOT SURFACE HAZARD, 2.00" DIA.	1	
13	42971	ISO DECAL, TIE DOWN 1.75" X 1.75"	2	
14	23806	DECAL, PITCH, RH 2.0" DIA.	1	
15		DECAL, SERIAL PLATE, EPA EVAP.....	1 CONTACT MQ PARTS
16	4014	SCREW, 2-3/16" P-K TYPE U-DRIVE	4	
17	30118	ISO DECAL, GEAR DRIVE, 2.00 DIA.	2	
18	30117	ISO DECAL, EYE, INSPECTION, 1.00" DIA.	2	
19	23811	ISO DECAL, NO WATER WARNING, 2.00" DIA.	1	
20	23704	ISO DECAL, GUARD HAZARD, 2.00" DIA.	1	
21	23810	ISO DECAL, INHALATION HAZARD, 2.00" DIA.	1	
22	40138	ISO DECAL, FORK POCKETS 2.4" X 2.0"	2	
23	34630	DECAL, FIRE, EXPLOSION, SMOKING HAZARD, 6.68" X 1.4"	1	
24	23805	ISO DECAL, LIFT LOCATION, 1.00" DIA.	2	
25	30538	DECAL, FLAG DESIGNED AND ASSEMBLED IN USA	1	
26	42970	DECAL, ULTRA LOW SULFUR DIESEL	1	
27	36092	DECAL, DIESEL FUEL 3.5" X 1.75"	1	

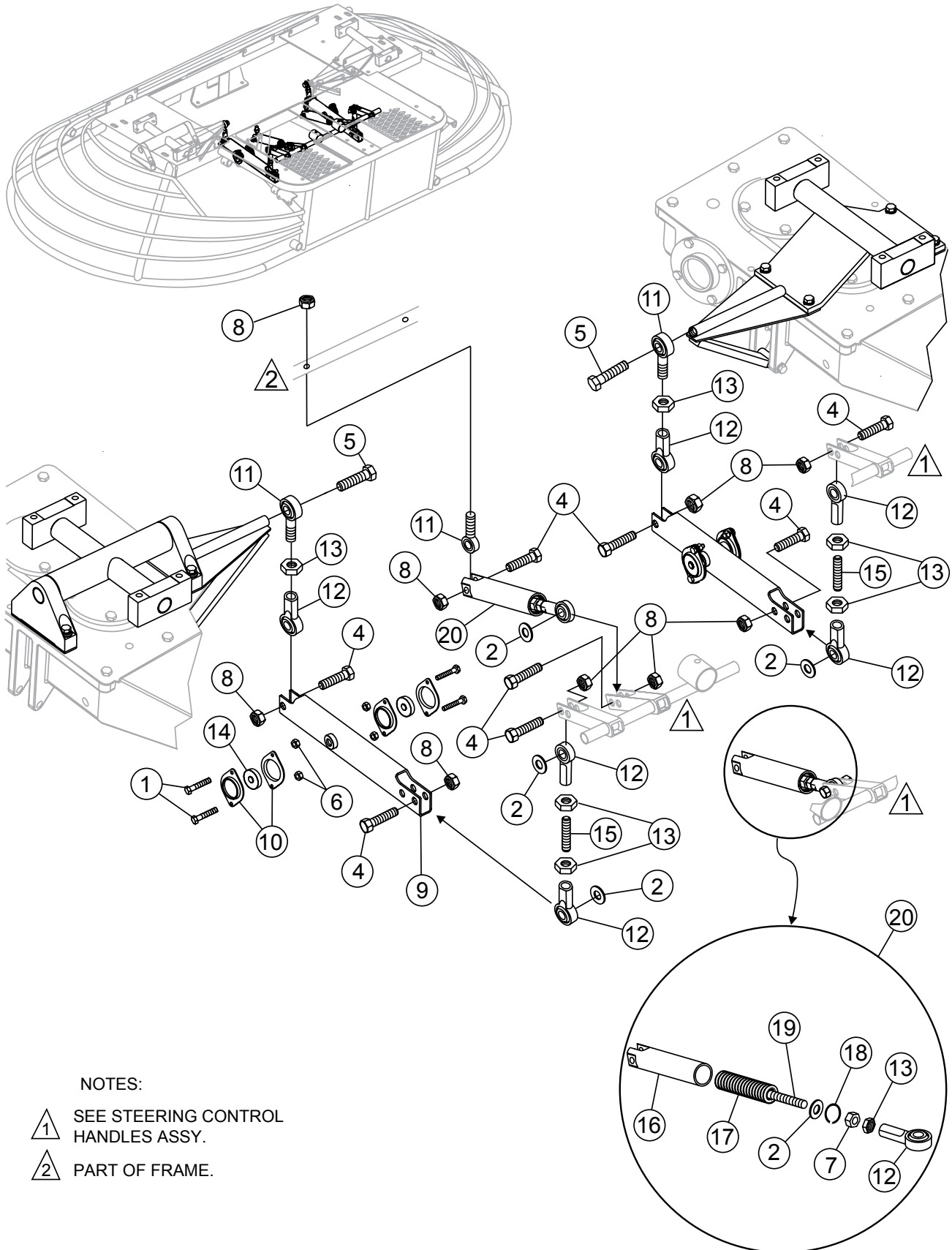
STEERING CONTROL HANDLE ASSY.



STEERING CONTROL HANDLE ASSY.

<u>NO.</u>	<u>PART NO.</u>	<u>PART NAME</u>	<u>QTY.</u>	<u>REMARKS</u>
1	0131 A	SCREW, HHC 1/4"-20 X 3/4"	4	
2	0447	WASHER, FLAT, 1/2" SAE	3	
3	0735	BEARING, CONE, TIMKEN	4	
4	0735 A	BEARING, CUP, TIMKEN	4	
5	07046-011	BOLT, CARRIAGE 5/16"-18 X 1-1/2" GRD 5	8	
6	2197	NUT, ACORN 1/4"-20	2	
7	2219	PIN, COTTER 1/8" X 1-1/2"	2	
8	23611	GRIP, HANDLE	2	
9	5277	SCREW, HHC 1/4"-20 X 1-1/2"	2	
10	6159 A	SCREW, HHC 1/2"-13 X 2"	3	
11	8151	WASHER, FLAT, 3/4" SAE	4	
12	10024	NUT, NYLOC 1/4"-20	4	
13	49071	NUT, NYLOC 3/8"-16	8	
15	10176	NUT, NYLOC 1/2"-13	4	
16	11138-SK	HOUSING, P-BLOCK BEARING	4	
17	11139-SK	HOUSING SET, BEARING FLANGE 40M-2	2	
18	22405	SPACER, .75 X .50 X 2.0	1	
19	11142	ROD END, 1/2"-20 MALE RH	11	
20	11143	ROD END, 1/2"-20 FEMALE RH	1	
22	11145	SCREW, SHC 1/2"-20 X 3"	2	
23	11146	NUT, HEX JAM 1/2"-20	5	
24	11149	BEARING, SB-204-12	4	
25	11150	BEARING, SB-201-B	6	
26	11172	ROD, L-R MOTION CONTROL	1	
27	22404	NUT, COUPLING, 1/2"-20 X 2.0 X .75 HEX	1	
28	11177	HANDLE TUBE, UPPER	2	
29	12193	LEVER, L-R MOTION	1	
30	12903	STEERING CONTROL, LS. ASSIST	1	
31	12904	STEERING CONTROL, RS. ASSIST	1	
32	12425	HANDLE, LOWER	2	
33	12426	NUT, SLOTTED 3/4"-16 PLATED	2	
34	21944	ROD END, 1/2"-20 M RIGHT HAND W/ CUSTOM BALL	3	
36	1162 A	CAP, GREASE ZERK	2	
37	2621	FITTING, GREASE ZERK STRAIGHT 1/4"-28	2	

STEERING CONTROL (ASSIST) ASSY.



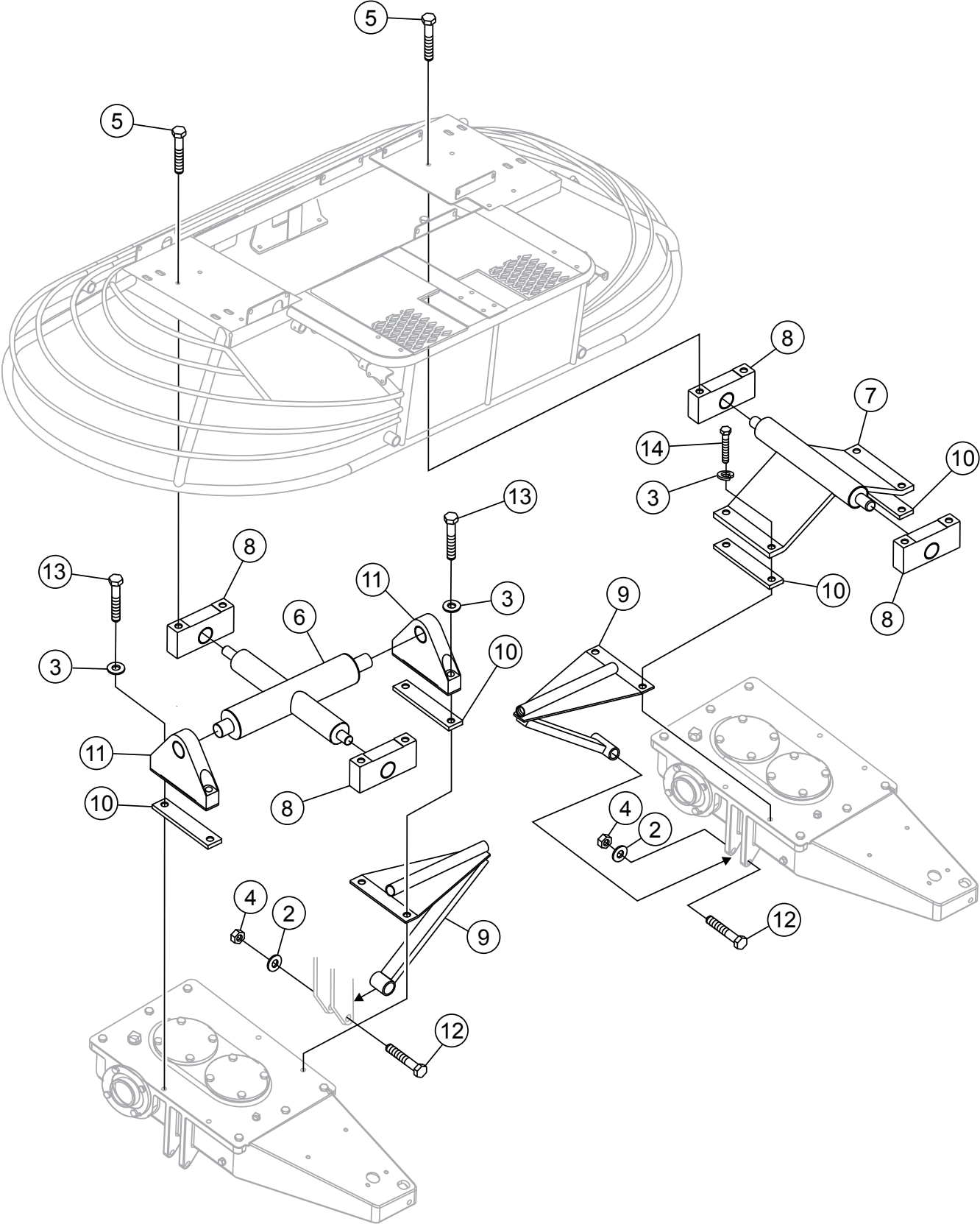
NOTES:

- △ 1 SEE STEERING CONTROL HANDLES ASSY.
- △ 2 PART OF FRAME.

STEERING CONTROL (ASSIST) ASSY.

<u>NO.</u>	<u>PART NO.</u>	<u>PART NAME</u>	<u>QTY.</u>	<u>REMARKS</u>
1	0131 A	SCREW, HHC 1/4"-20 X 3/4"	12	
2@	0447	WASHER, FLAT, 1/2" SAE	12	
4	6159 A	SCREW, HHC 1/2"-13 X 2"	8	
5	22135	SCREW, HHC 1/2"-20 X 1-1/2"	2	
6	10024	NUT, NYLOC 1/4"-20	16	
7@	10087	NUT, NYLOC 1/2"-20 THIN	2	
8	10176	NUT, NYLOC 1/2"-13	13	
9	11127	LEVER, STEERING CONTROL	2	
10	11139-SK	BEARING, FLANGE HOUSING 40M-2	4	
11	11142	ROD END, 1/2"-20 MALE RH.	4	
12@	11143	ROD END, 1/2"-20 FEMALE RH.	6	
13@	11146	NUT, HEX JAM 1/2"-20	8	
14	11150	BEARING	4	
15	11173	THREADPIECE, STEERING LEVERS	2	
16@	12195	HOUSING, STEERING ASSIST SPRING	2	
17@	12196	SPRING, STEERING ASSIST	2	
18@	12197	RING, RETAINING	2	
19@	12198	SCREW, HHC 1/2"-20 X 7" TAP GRD 5	2	
20	12200	ASSIST ASSY., STEERING.....	2.....	INCLUDES ITEMS W/@

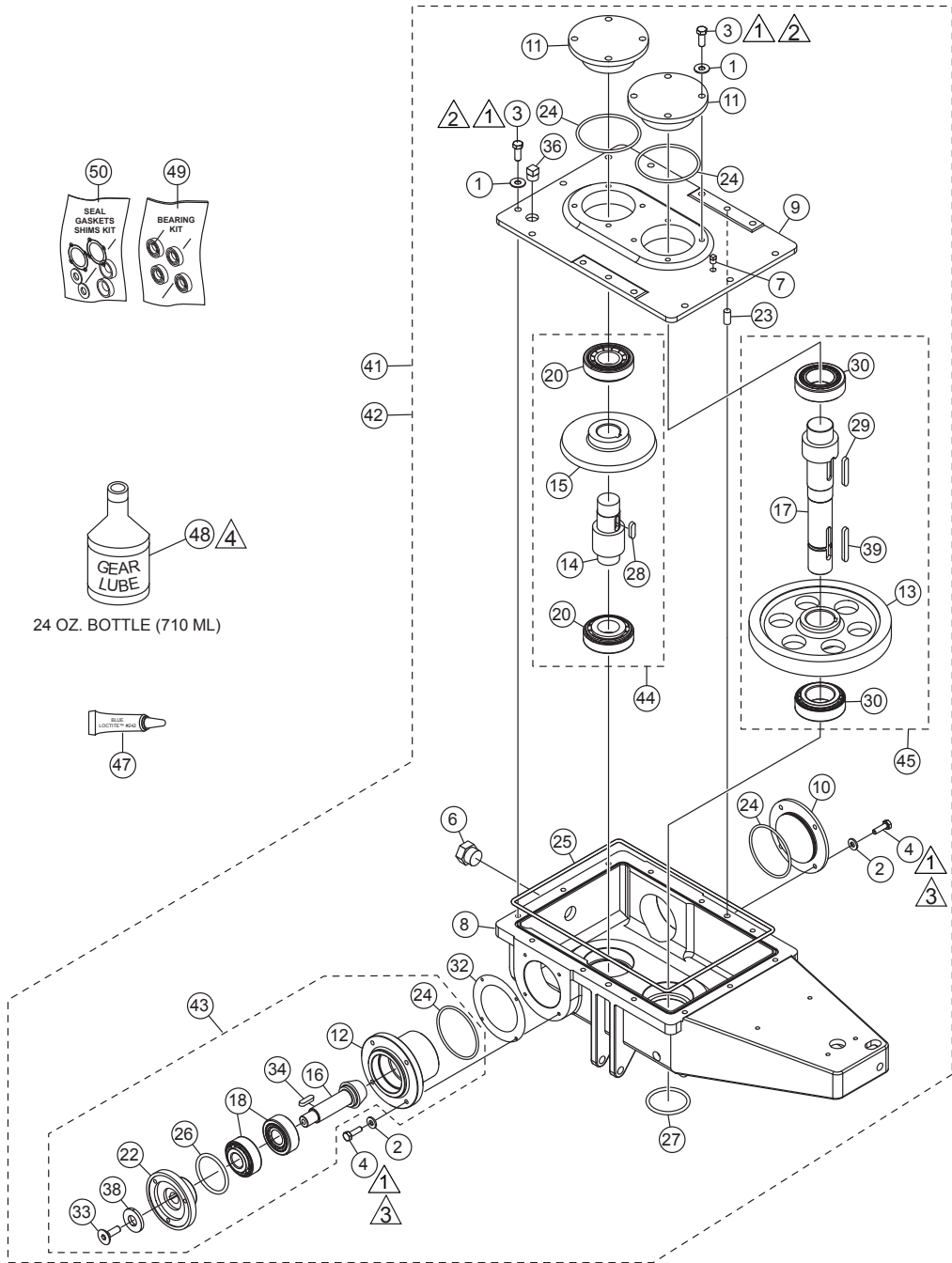
PIVOT ASSY.



PIVOT ASSY.

<u>NO.</u>	<u>PART NO.</u>	<u>PART NAME</u>	<u>QTY.</u>	<u>REMARKS</u>
2	0447	WASHER, FLAT 1/2" SAE	2	
3	21707	WASHER, FLAT 3/8" SAE	8	
4	10176	NUT, NYLOC 1/2"-13	2	
5	22106	SCREW, HHFS 3/8"-16 X 1-1/4" ZINC	8	
6	12716	TRUNNION	1	
7	12719	PIVOT, GEAR BOX	1	
8	12725	BLOCK, ROCKER	4	
9	12856	BRACKET, DIRECTION CONTROL	2	
10	12859	PLATE G.B. SPACER	4	
11	12713	ROCKER BLOCK	2	
12	2549	SCREW, HHC 1/2"-13 X 3"	2	
13	32272	SCREW, HHC 3/8"-16 X 2-1/4"	4	
14	32271	SCREW, HHC 3/8"-16 X 1-3/4"	4	

GEARBOX ASSY.



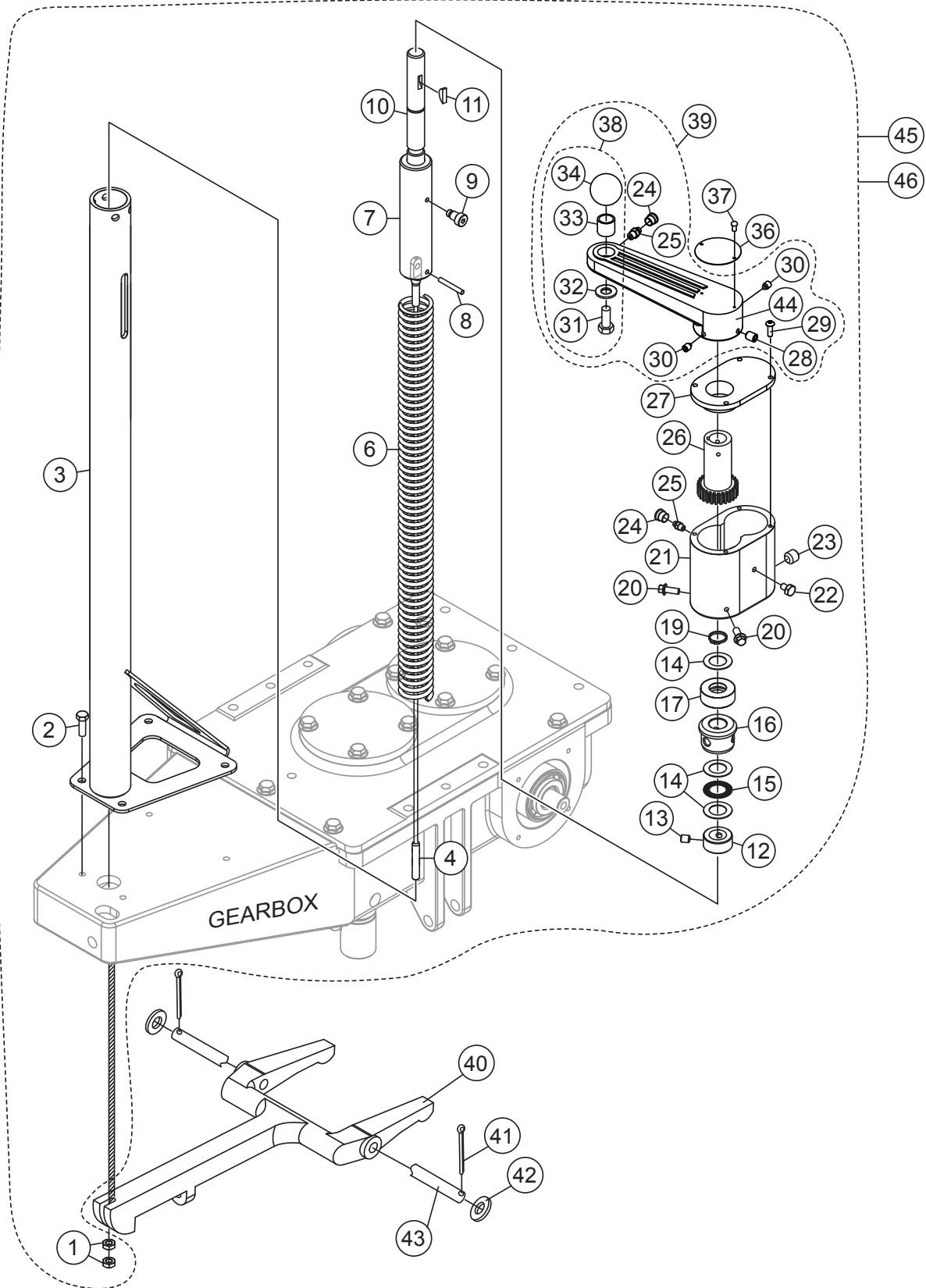
NOTES

- 1 USE LOCTITE™ #242 PART NO. 1477
- 2 TORQUE TO 23 FT.-LB.
- 3 TORQUE TO 6.25 FT.-LB.
- 4 GEARBOX REQUIRES 144 OZ. (4.26 LITERS) OF LUBRICATING OIL FOR OPERATION.

GEARBOX ASSY.

<u>NO.</u>	<u>PART NO.</u>	<u>PART NAME</u>	<u>QTY.</u>	<u>REMARKS</u>
1#	10136	WASHER, FLAT SAE 3/8"	16	
2#	0948	WASHER, FLAT SAE 1/4"	8	
3#	0205	SCREW, HHC 3/8"-16 X 1	16	
4#	2295	SCREW, HHC 1/4"-20 X 7/8"	8	
6#	11584	SIGHT GLASS, GEARBOX OIL	1	
7#	11682	FITTING, PLUG, 1/8" MP SQ HEAD	1	
8#		GEARBOX HOUSING.....	1.....	NOT SOLD SEPARATELY
9#	21811	COVER, GEARBOX	1	
10#	21813	CAP, HELICAL GEARBOX INPUT	1	
11#	21810	CAP, HELICAL GEARBOX IDLER	2	
12#	\$+	HUB, HELICAL INPUT SHAFT.....	1.....	MUST PURCHASE KIT
13#	\$@	GEAR, 85T HELICAL.....	1.....	MUST PURCHASE KIT
14#	\$%	GEAR, PINION 17T, HEICAL.....	1.....	MUST PURCHASE KIT
15#	\$%	GEAR, SPIRAL BEVEL, 60T 6.00PD.....	1.....	MUST PURCHASE KIT
16#	\$+	PINION, 15T SPIRAL BEVEL.....	1.....	MUST PURCHASE KIT
17#	\$@ 21804	SHAFT, OUTPUT.....	1.....	MUST PURCHASE KIT
18#	\$+ 21803	BEARING, TAPERED ROLLER SET	2	
20#	\$% 21802	BEARING, TAPERED ROLLER ST	2	
22#	\$+	COUPLER, GEARBOX.....	1.....	MUST PURCHASE KIT
23#	\$ 926942	PIN, DOWEL 0.375 X 3/4"	2	
24#	\$+ 12698	O RING	4	
25#	\$ 12700	SEAL, CASE O-RING HHN 0.103 X 46.38	1	
26#	\$+ 12701	SEAL, OIL DUAL LIP	1	
27#	\$ 12702	SEAL, DOUBLE LIP, HELICAL OUTPUT	1	
28#	\$% 12735	KEY, 3/8" X 3/4"	1	
29#	\$@ 12736	KEY, HARDENED 3/8" X 1-1/2"	1	
30#	\$@ 21801	BEARING, CONE TAPERED ROLLER SET	2	
32#	\$ 21800	SHIM, INPUT 0.002 THICK	3	
33#	\$+ 1313	SCREW, FHSC 3/8"-24 X 3/4"	1	
34#	\$+ 26034	KEY, 3/16" X 17/32"	1	
36#	\$ 911064	FITTING, PLUG 1/2" MP SQ HEAD	1	
38#	\$+ 9120	RETAINER, DRIVEN PULLEY	1	
39#	\$@ 12687	KEY, 3/8" SQ X 2"	1	
41	32213	GEARBOX ASSY., LEFT.....	1.....	INCLUDES ITEMS W/#
42	32214	GEARBOX ASSY., RIGHT.....	1.....	INCLUDES ITEMS W/\$
43#	\$ 21853854	INPUT KIT, INPUT PINION/HUB/COUPLER.....	1.....	INCLUDES ITEMS W/+
44#	\$ 21853854	INTER KIT, INTER PINION/GEAR.....	1.....	INCLUDES ITEMS W/%
45#	\$ 21853854	OUTPUT KIT, OUTPUT SHAFT/GEAR.....	1.....	INCLUDES ITEMS W/@
47	1477	LOCTITE™ #242 BLUE, 0.5 CC BOTTLE	1	
48	20445	OIL, HELICAL SERVICE 24 OZ.	6	
49	32077	KIT, SERVICE, BEARING REPLACEMENT	1	
50	20932	KIT, SEAL GEARBOX	1	

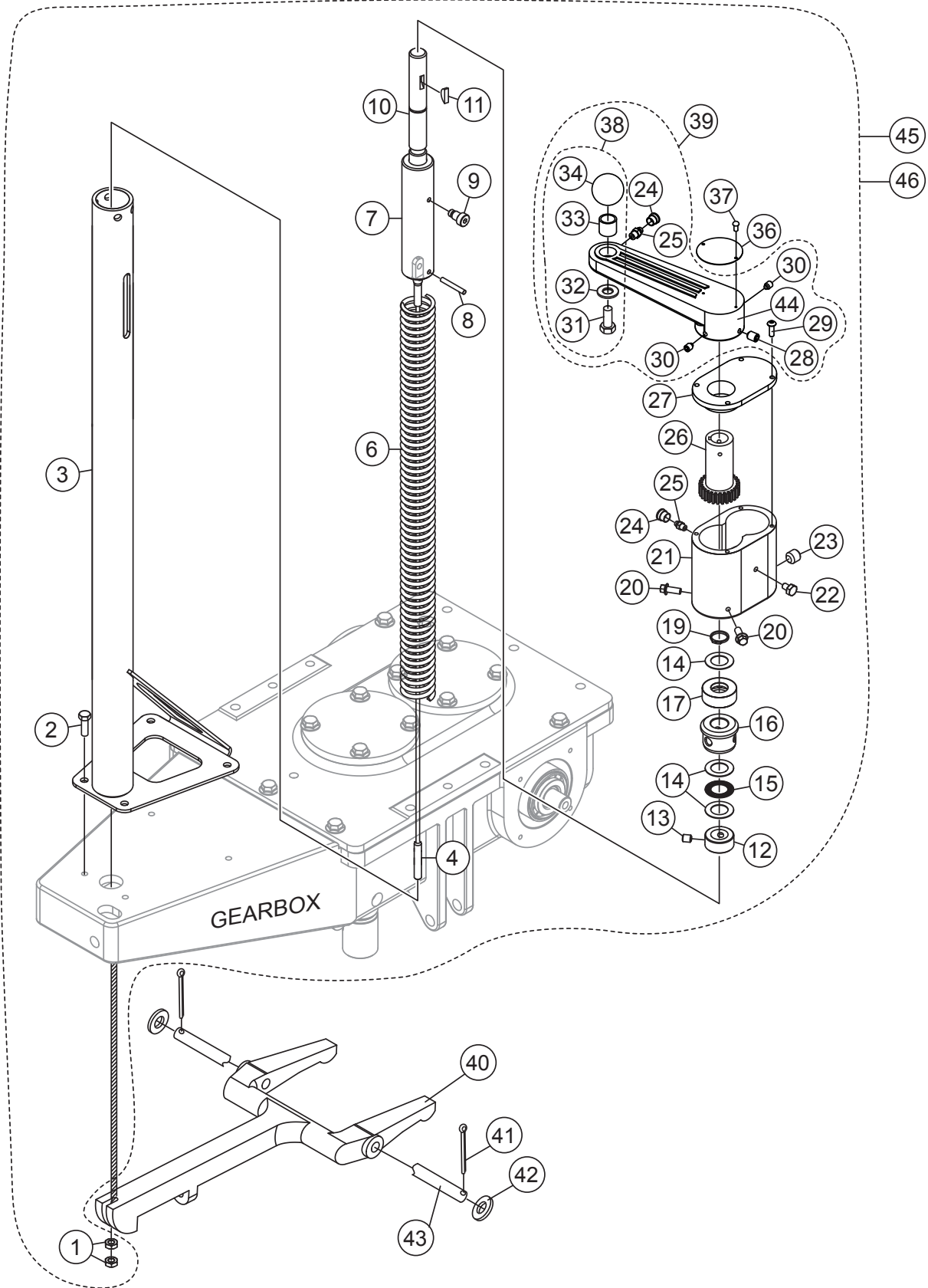
PITCH CONTROL TOWER ASSY.



PITCH CONTROL TOWER ASSY.

<u>NO.</u>	<u>PART NO.</u>	<u>PART NAME</u>	<u>QTY.</u>	<u>REMARKS</u>
1\$#	1116	NUT, BRASS JAM 5/16"-18	2	
2\$#	9091	SCREW, HHFS 5/16"-18 X 1" GRD 5	4	
3\$#	23599	TUBE, PITCH CONTROL	1	
4\$#	12459	CABLE, PITCH CONTROL	1	
6\$#	2156	SPRING, HANDLE BALANCE COIL	1	
7\$	10721	SLIDE BLOCK, PITCH CONTROL.....	1	RIGHT-SIDE
7#	10722	SLIDE BLOCK, PITCH CONTROL.....	1	LEFT-SIDE
8\$#	10723	PIN, SPIRAL 3/16" X 1-3/8" HD	1	
9\$#	10382	BOLT, SHOULDER, 3/8" X 3/8" LONG	1	
10\$	10510	SHAFT, PITCH CONTROL.....	1	RIGHT-SIDE
10#	10511	SHAFT, PITCH CONTROL.....	1	LEFT-SIDE
11\$#	0126	KEY, WOODRUFF #606 3/16" X 3/4"	1	
12\$#	2367	COLLAR, SET .75 X 1.25 X .56	1	
13\$#	925437	SCREW, SHS, CP 5/16"-18 X 3/8"	2	
14\$#	2170	BEARING, RACE	3	
15\$#	2169	BEARING, THRUST	1	
16\$#	1612	BEARING, ALUM., PITCH CONTR.	1	
17\$#	1604	BEARING BALL, THRUST	1	
19\$#	10512	RING, SNAP	1	
20\$#	22021	SCREW, HHFS M8-1.25 X 20 MM	2	
21\$#	23037	HOUSING, PITCH CONTROL	1	
22\$#	20476	SCREW, HHC 1/4"-28 X 3/8"	1	
23\$#	17109	SCREW, SHSCU M8-1.25 X 8 MM	1	
24\$#%	1162 A	CAP, GREASE ZERK, #2 YELLOW	2	
25\$#%	2621	FITTING, GREASE ZERK STR 1/4"-28	2	
26\$#	1529	GEAR, DRIVE PITCH CONTROL	1	
27\$#	2649	COVER, PITCH CONTROL HOUSING	1	
28\$#%	0185	SCREW, SHS 3/8"-16 X 3/8"	1	
29\$#%	9191	SCREW, BHSC M5-0.8 X 16 MM	4	

PITCH CONTROL TOWER ASSY. (CONT'D.)



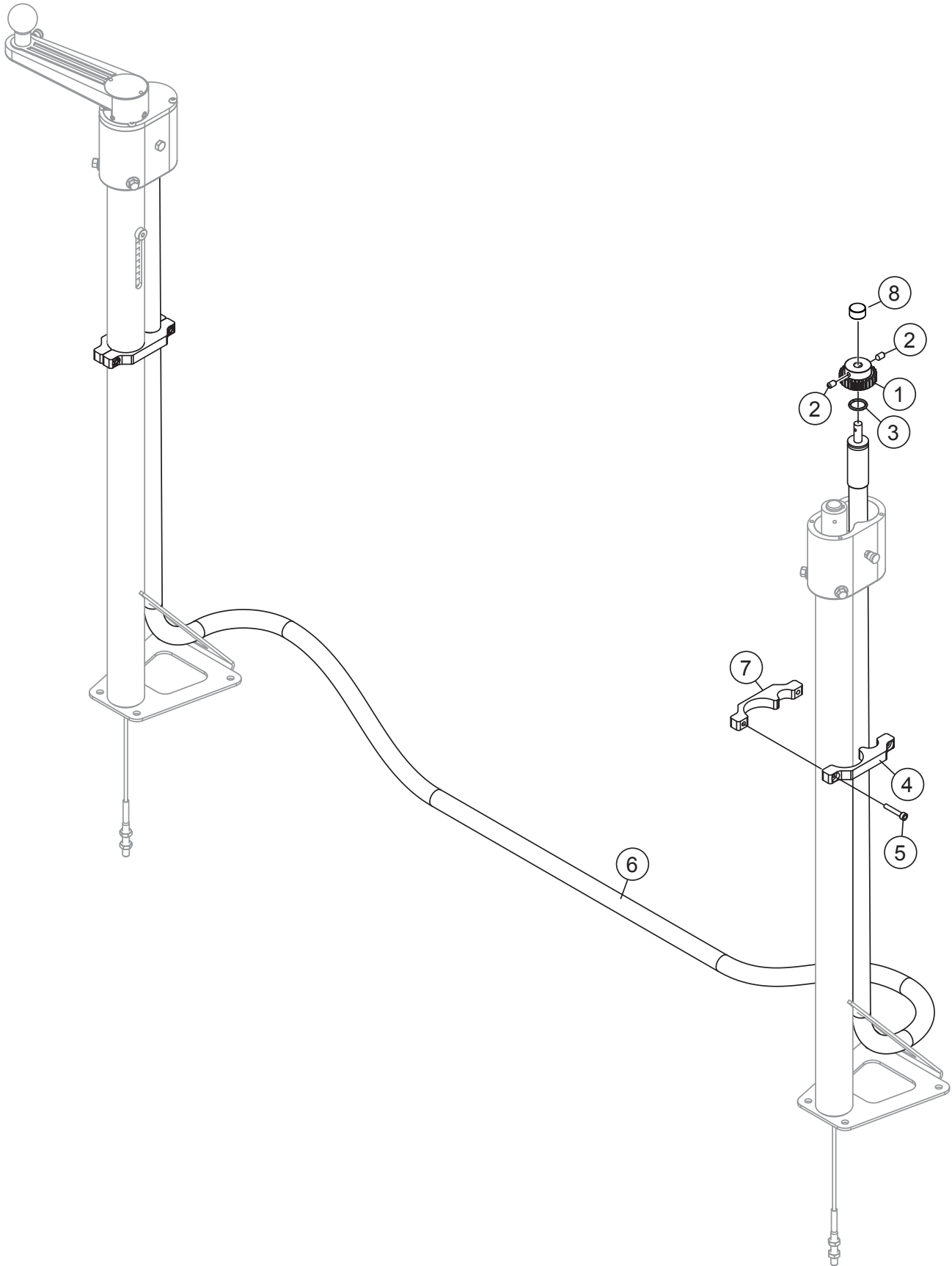
PITCH CONTROL TOWER ASSY. (CONT'D.)

<u>NO.</u>	<u>PART NO.</u>	<u>PART NAME</u>	<u>QTY.</u>	<u>REMARKS</u>
30\$#%	1528	SCREW, SHS 1/4"-20 X 5/16"	2	
31\$#@%	1616	BOLT, SHOULDER .5 DIA. X .469 X 3/8"-16	1	
32\$#@%	1733	WASHER, 1/2" X 1/32"	1	
33\$#@%	3231	SPACER, .75 DIA. X .406 DIA. X .688	1	
34\$#@%	4403	KNOB, ROUND 1-3/8" DIA. X 3/8"-16	1	
36\$	23806	DECAL, PITCH	1	RIGHT-SIDE
36#	23807	DECAL, PITCH	1	LEFT-SIDE
37\$#	4014	SCREW, #2, 3/16" P-K TYPE U DRIVE	2	
38%\$#	2737	KNOB, KIT	1	INCLUDES ITEMS W/@
39\$#	1617	LEVER ASSY., TROWEL ADJUSTMENT	1	INCLUDES ITEMS W/%
40	11499	YOKE ARM, PITCH	1	
41	0183	PIN, COTTER 1/8" DIA. X 1-1/4"	2	
42	0448	WASHER, FLAT SAE 7/16"	2	
43	11648	SHAFT, YOKE PIVOT	1	
44%\$#	1615	LEVER, TROWEL ADJUSTMENT	1	
45	23850-SK	TOWER ASSY., RH.	1	INCLUDES ITEMS W/\$
46	23851-SK	TOWER ASSY., LH	1	INCLUDES ITEMS W/#

NOTICE

Indicated quantities are for one pitch tower. If ordering for two pitch towers, double the quantity.

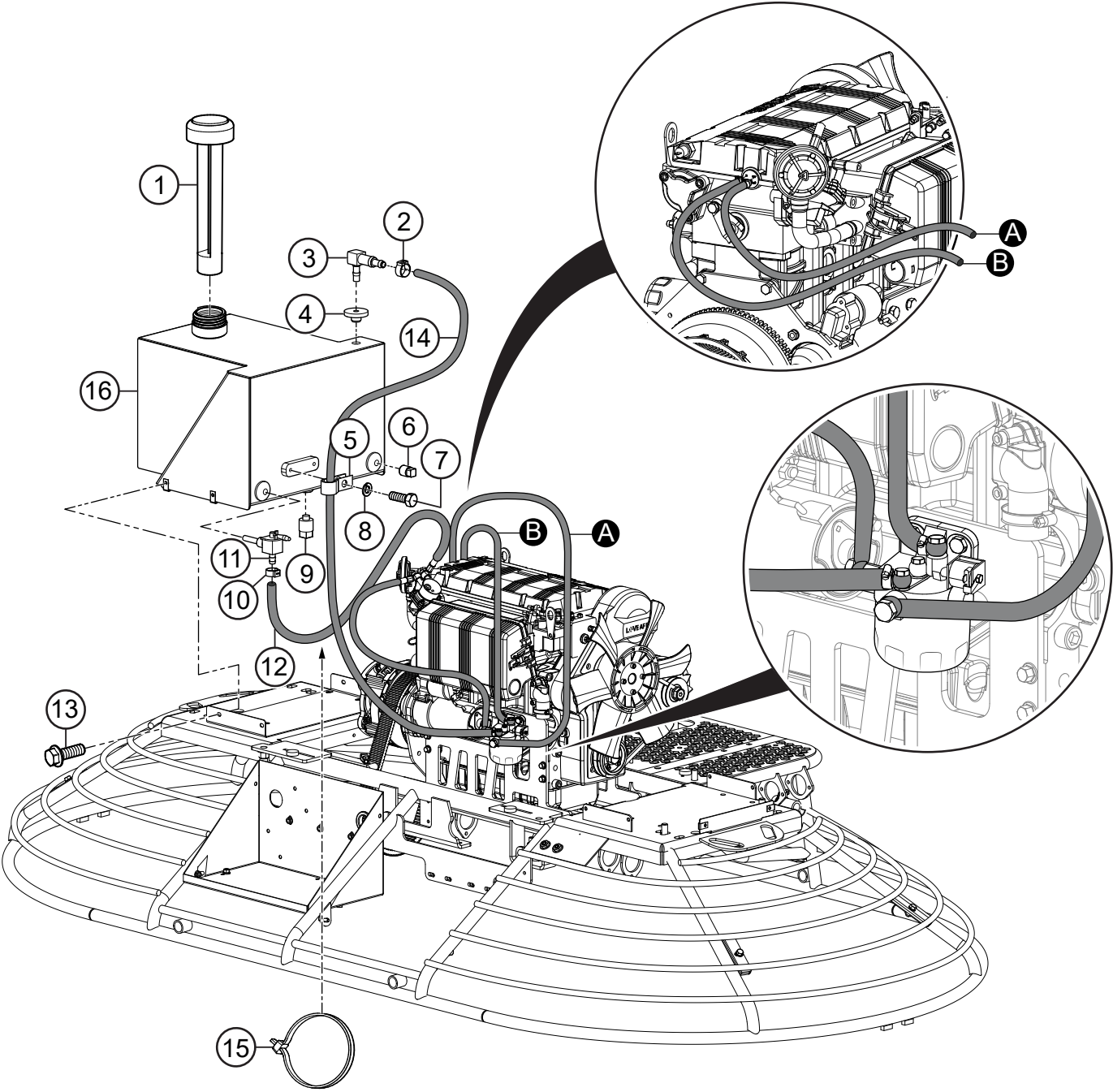
PITCH CONTROL DRIVE CABLE ASSY.



PITCH CONTROL DRIVE CABLE ASSY.

<u>NO.</u>	<u>PART NO.</u>	<u>PART NAME</u>	<u>QTY.</u>	<u>REMARKS</u>
1	23036	GEAR, PITCH CONTROL	2	
2	9195	SCREW, SHS M5-0.8 X 10 CONE PT PATCH	4	
3	9196	O-RING, SIZE 2-118 BUNA-N 70	2	
4	23295	CLAMP, PITCH CABLE	2	
5	37325	SCREW, SHC M5-0.8 X 30 MM	4	
6	23849	DRIVE CABLE, PITCH CONTROL	1	
7	23615	CLAMP, PITCH CABLE, THREADED	2	
8	23802	SPACER, PITCH CONTROL	2	

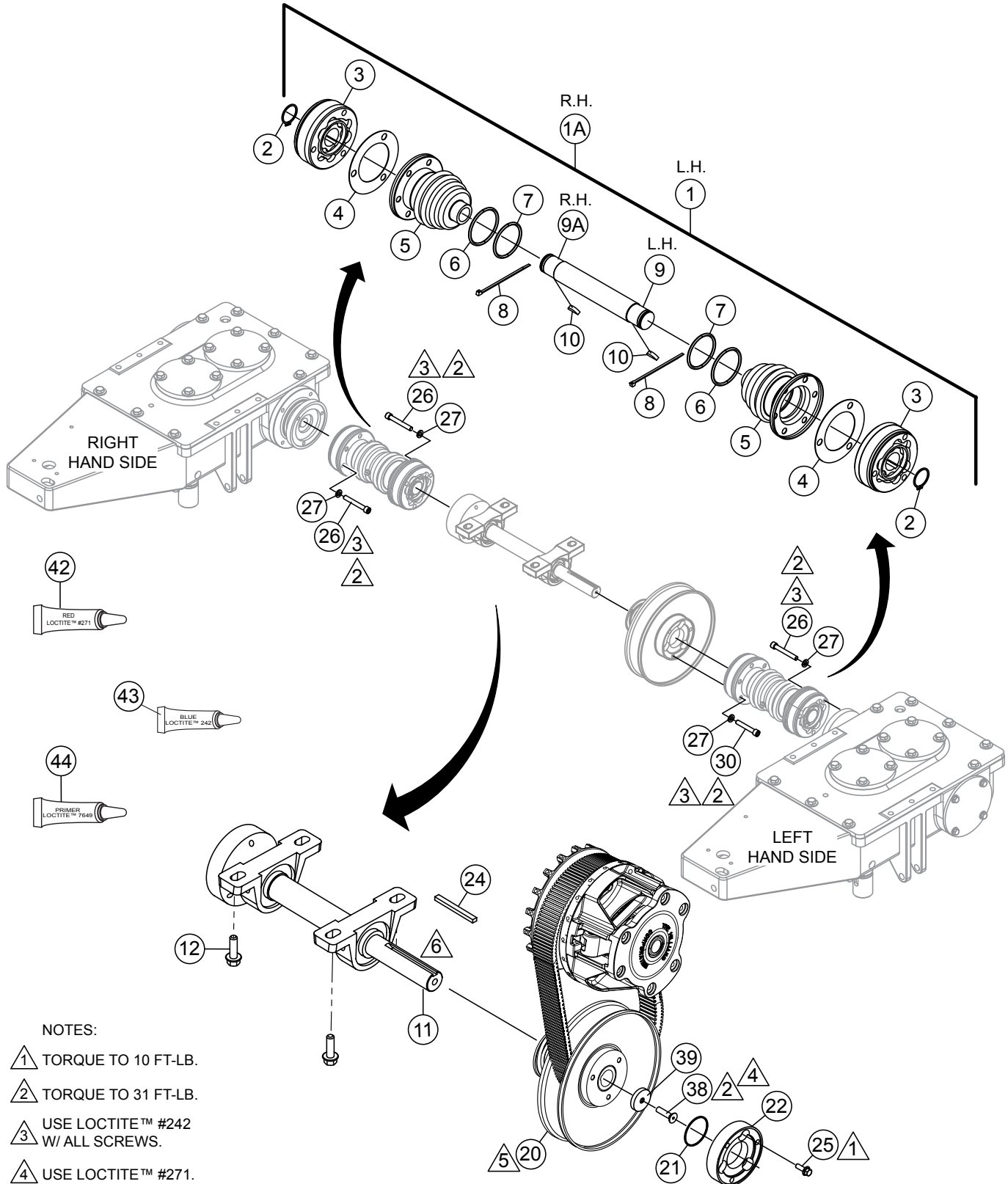
FUEL TANK ASSY.



FUEL TANK ASSY.

<u>NO.</u>	<u>PART NO.</u>	<u>PART NAME</u>	<u>QTY.</u>	<u>REMARKS</u>
1	23515	CAP, RATCHET W/GAUGE "DIESEL" (10.5")	1	
2	22066	CLAMP, STEPLESS EAR 3/16" HOSE	1	
3	12007	FITTING, 90°	1	
4	23507	GROMMET, ROLL OVER VALVE	1	
5	8126	CLAMP, HOSE 1/2" LOOP X .25 HOLE	1	
6	16185	FITTING, PLUG 1/4" MP SQ HD	1	
7	1579	SCREW, HHC 1/4"-20 X 1/12"	1	
8	0181 B	WASHER, LOCK 1/4" MEDIUM	1	
9	911329	FITTING, PLUG, MAGNETIC, 3/8" NPT	1	
10	22067	CLAMP, STEPLESS EAR 1/4" HOSE	1	
11	22081	SHUTOFF VALVE, 1/4" NPT, 1/4" HOSE	1	
12	60013	HOSE, FUEL Ø.250 LOW PERM 50PSI.....	3.....	1PC=1FT
13	49048	SCREW, HHFS 1/4"-20 X 3/4" GRD 5	4	
14	60004	HOSE, FUEL, Ø.1875, LOW PERM 50PSI	4.....	1PC=1FT
15	1662	TIE, CABLE	3	
16	40009	FUEL TANK ASSY.	1	

DRIVE ASSY.



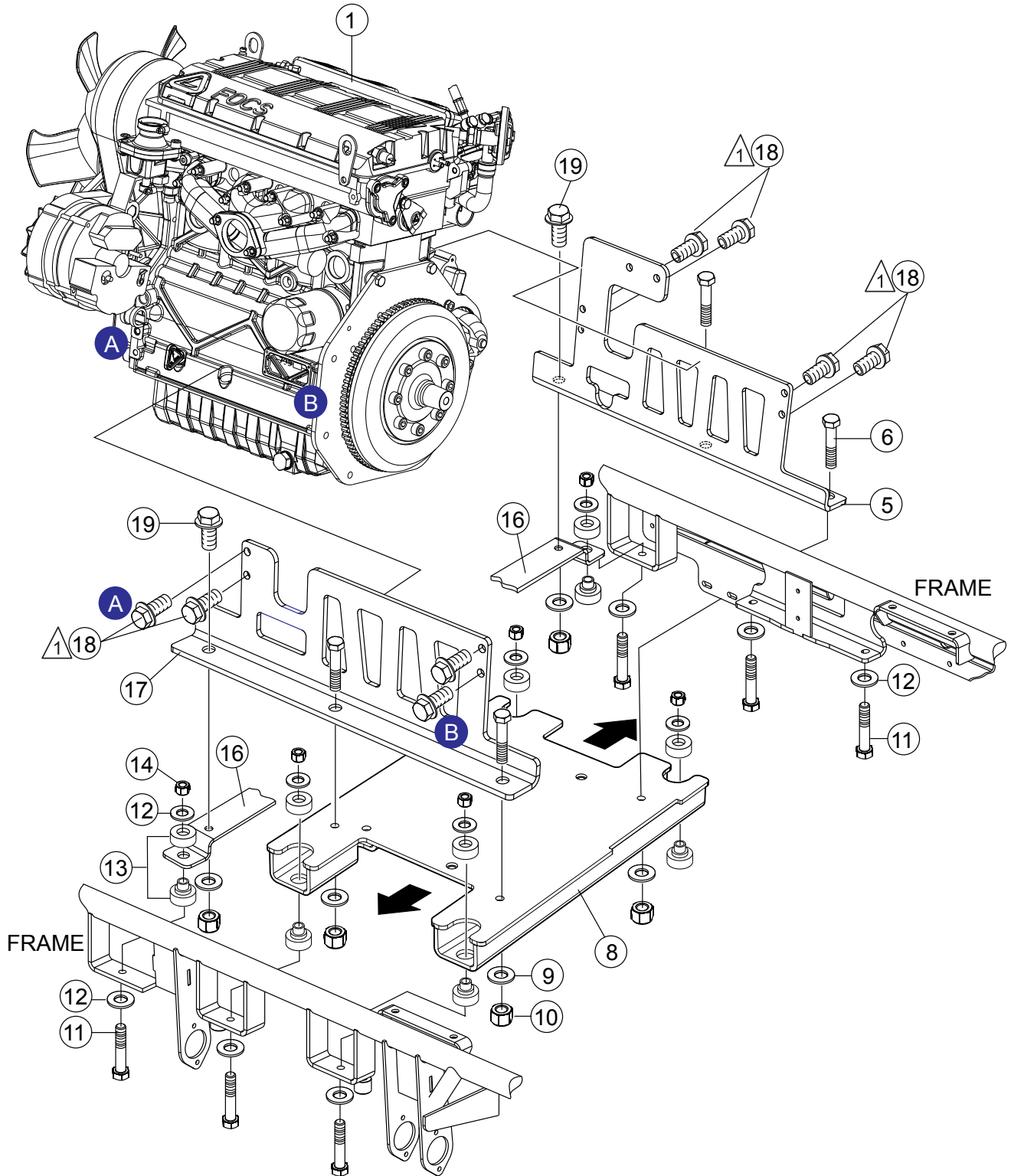
NOTES:

- ① TORQUE TO 10 FT-LB.
- ② TORQUE TO 31 FT-LB.
- ③ USE LOCTITE™ #242 W/ ALL SCREWS.
- ④ USE LOCTITE™ #271.
- ⑤ REPAIR & REPLACEMENT OF THESE PARTS REQUIRES RE-ALIGNMENT OF THE CROSS SHAFT.
- ⑥ APPLY LOCTITE™ 7649 PRIMER AND LOCTITE™ 641 TO SHAFT BEFORE INSTALLING P/N 23363-2S.

DRIVE ASSY.

<u>NO.</u>	<u>PART NO.</u>	<u>PART NAME</u>	<u>QTY.</u>	<u>REMARKS</u>
1	23477	CV JOINT ASSY., LH.....	1.....	INCLUDES ITEMS W/@
1A	23922	CV JOINT ASSY., RH.....	1.....	INCLUDES ITEMS W/\$
2@\$	2090	SNAP RING,	4	
3@\$	392052	C.V. JOINT, COUPLING W/ BOOT	4	
4@\$	11108	GASKET, C.V. JOINT BOOT RIDERS	4	
5@\$	2259	BOOT ASSY., C.V. JOINT RIDERS	4.....	INCLUDES ITEMS W/#
6@#\$	22219	O-RING, SIZE 2-228N-90 2.25 DIA X .125	4	
7@#\$	22220	O-RING, SIZE 2-225N-90 1.875 DIA. X .125	4	
8@\$	1662	TIE WRAP	4	
9@		SHAFT, C.V. JOINT 7.44 LG.....	1.....	NOT SOLD SEPARATELY
9A\$		SHAFT, C.V. JOINT 10.00 LG.....	1.....	NOT SOLD SEPARATELY
10@\$	0126	KEY, WOODRUFF #606 3/16" X 3/4" (#9)	4	
11	30108	DRIVE, CROSS SHAFT ASSY.	1	
12	22106	SCREW, HHFS 3/8"-16 X 1.25 ZINC	4	
20	23363-2S	PULLEY, CVT DRIVEN HILLIARD	1	
21	20116	O-RING, SIZE-031 BUNA N	1	
22	23433	COUPLER, DRIVEN CCVT	1	
24	20363	KEY, STEEL .188 X .250 X 2.5	1	
25	9165	SCREW, HHFS 1/4"-28 X 3/4" GRD 5	3	
26	2186	SCREW, SHC 5/16"-16 X 2-1/4"	9	
27	0161 C	WASHER, LOCK, 5/16" MED	12	
30	0243	SCREW, SHC 5/16"- 18 X 1-3/4"	3	
38	30107	SCREW, FHCS 3/8"-16 X 1-1/4" LH THREAD	1	
39	30110	SPACER, CSK Ø 1.375" X .391" X .281"	1	
42	60098	LOCTITE™ #271 RED, ANAEROBIC	1	
43	1477	LOCTITE™ #242 BLUE, 0.5 CC BOTTLE	1	
44	32441	PRIMER, LOCTITE™ #7649 25GM AIR	1	

ENGINE MOUNTING ASSY.



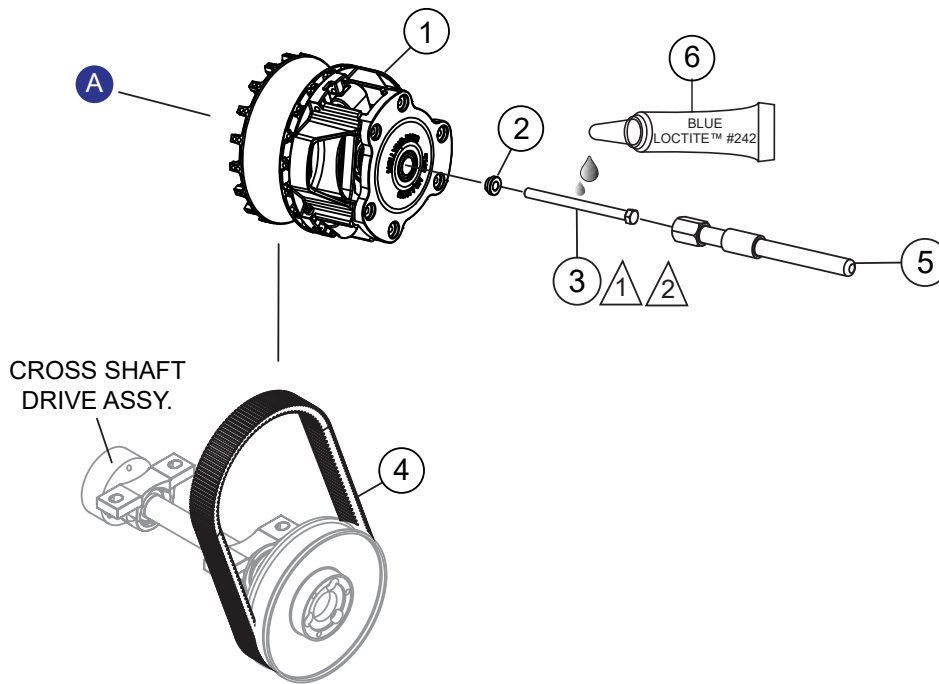
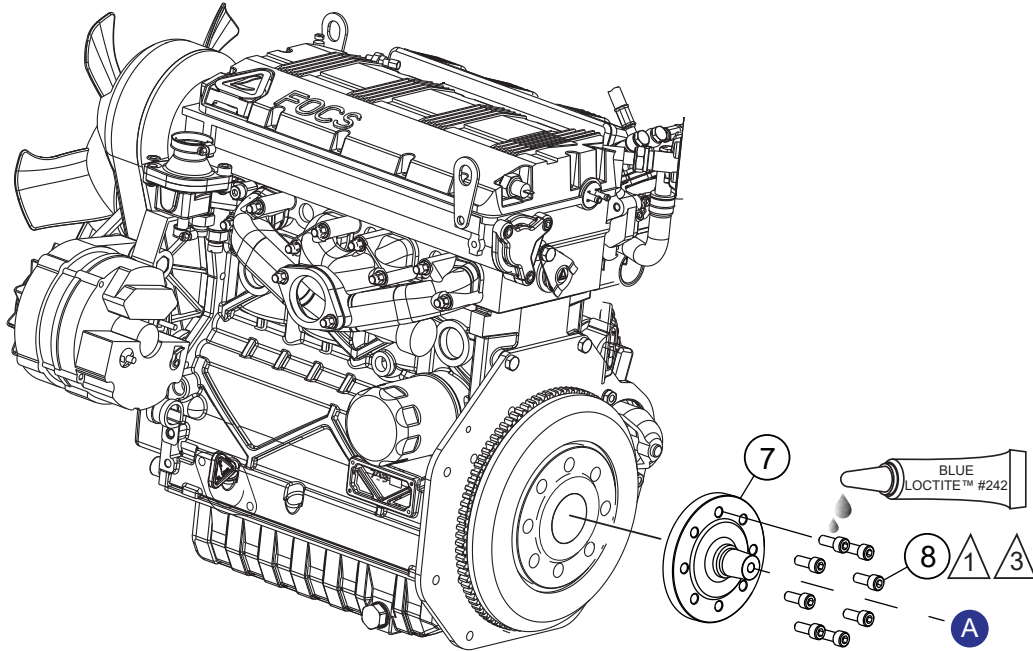
NOTES:

1 TORQUE TO 20 FT-LBF (27 N·m) EIGHT PLACES

ENGINE MOUNTING ASSY.

<u>NO.</u>	<u>PART NO.</u>	<u>PART NAME</u>	<u>QTY.</u>	<u>REMARKS</u>
1	40007	ENGINE, 35HP KOHLER	1	
5	40011	MOTOR MOUNT, RIGHT	1	
6	06500-020	SCREW, HHC 5/16"-18 X 2-1/2"	4	
8	23891	CRADLE	1	
9	0300 B	WASHER, FLAT SAE 5/16"	12	
10	5283	NUT, NYLOC 5/16"-18	6	
11	4370	SCREW, HHC 3/8"-16 X 2 1/4"	6	
12	4001	WASHER, FLAT 3/8"	12	
13	21014	ISOLATOR, VIBRATION	6	
14	10133	NUT, NYLOC 3/8"-16	6	
16	40013	MOTOR MOUNT, FRONT	1	
17	40012	MOTOR MOUNT, LEFT	1	
18	22021	SCREW, HHFS M8-1.25 X 20 MM, GRD 10.9	8	
19	2623	SCREW, HHC 5/16"-18 X 1-1/4"	2	

ENGINE CLUTCH ASSY.

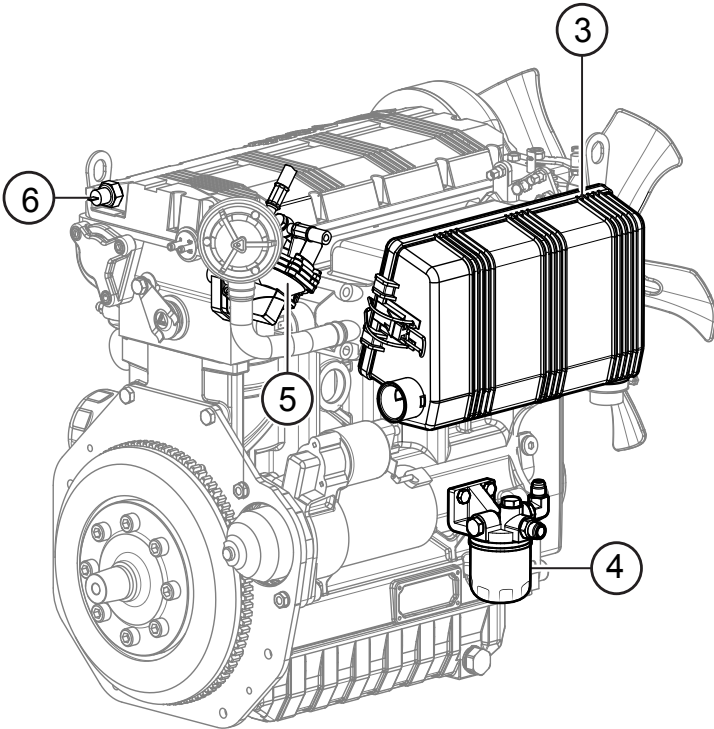
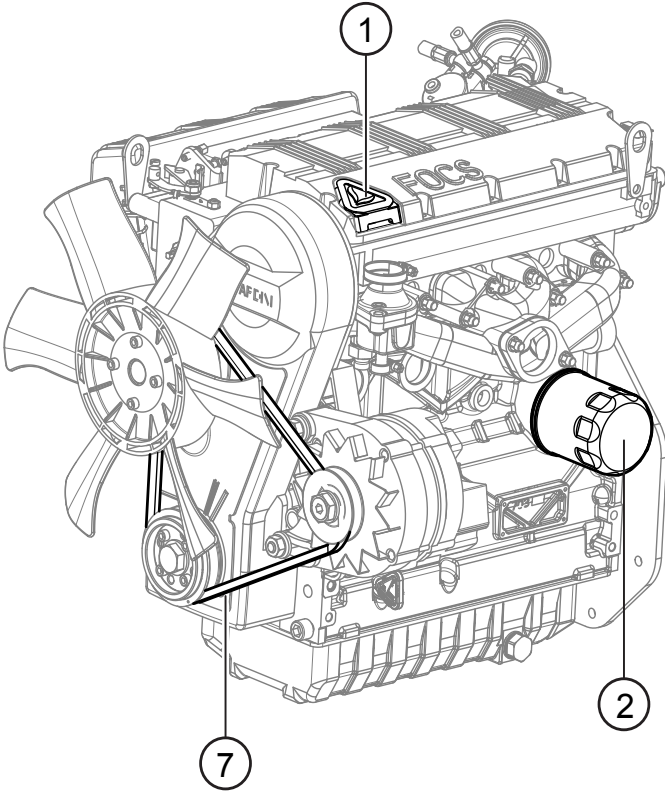


- NOTES:
- ① USE LOCTITE™ #242.
 - ② TORQUE TO 45 FT-LB.
 - ③ TORQUE TO 50 FT-LB.

ENGINE CLUTCH ASSY.

<u>NO.</u>	<u>PART NO.</u>	<u>PART NAME</u>	<u>QTY.</u>	<u>REMARKS</u>
1	40121	ASSY. CVT UPPER MOD FLYWT ORANGE	1	
2	23369	WASHER, STEP 7/16"	1	
3	23377	SCREW, HHC 7/16"-20 X 6.5" GRD 8	1	
4	23365	BELT, CVT MULTI-CLUTCH	1	
5	23678	PULLER, MULTI-CLUTCH	1	
6	1477	LOCTITE™ #242 BLUE, 0.5 CC BOTTLE	1	
7	40114	STUB SHAFT	1	
8	17388	SCREW, SHC M10-1.5x25MM GRD 10.9	8	

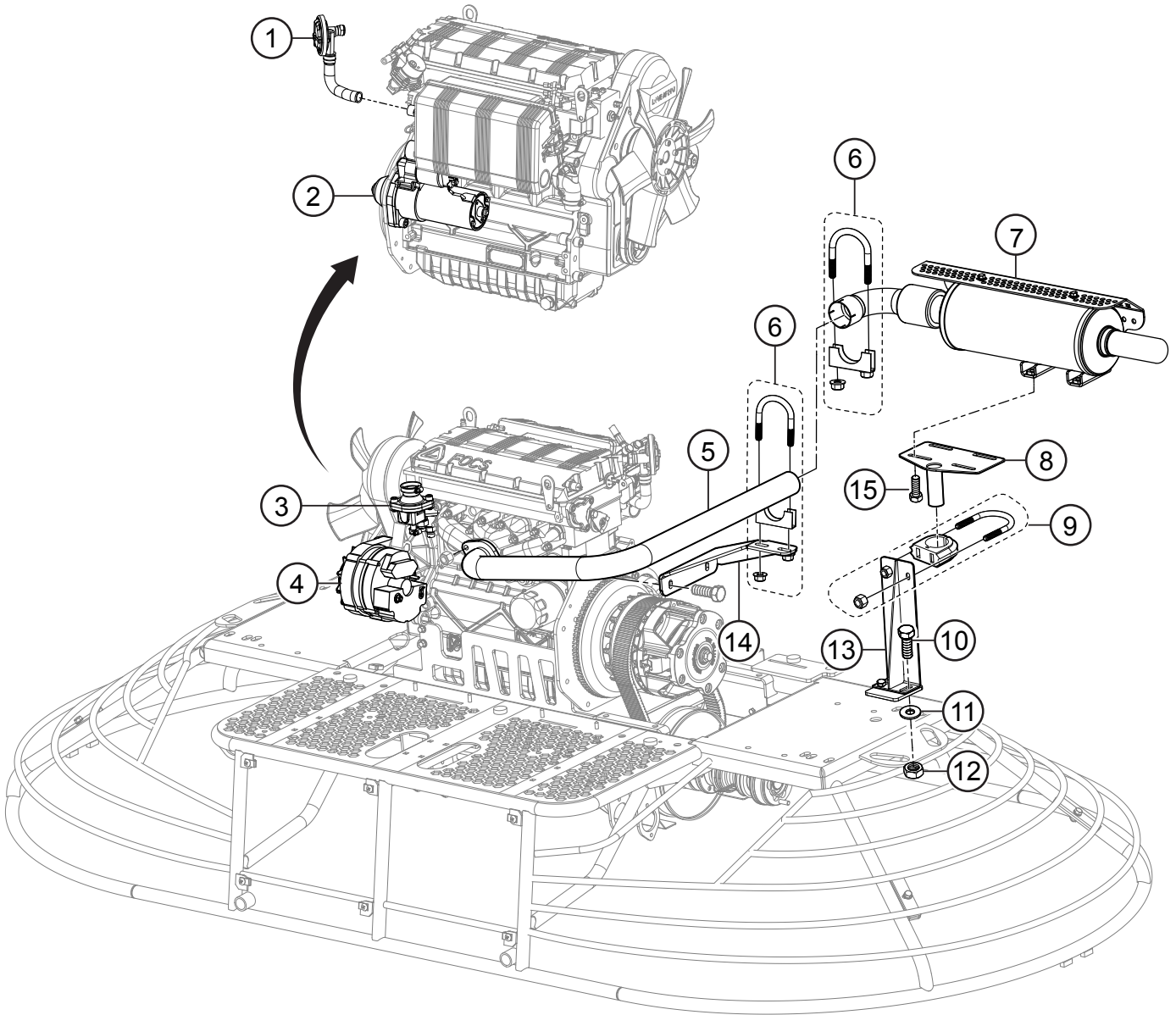
ENGINE SERVICE PARTS



ENGINE SERVICE PARTS

<u>NO.</u>	<u>PART NO.</u>	<u>PART NAME</u>	<u>QTY.</u>	<u>REMARKS</u>
1	ED0090321290-S	CAP, OIL FILLER	1	
2	ED0021752850-S	FILTER, OIL	1	
3	ED0021751650S	FILTER, AIR	1	
4	ED0021752880-S	FILTER, FUEL	1	
5	ED0065851510-S	FUEL FEED PUMP	1	
6	ED0067450930-S	SWITCH, OIL PRESSURE	1	
7	ED0024403160-S	BELT, FAN	1	

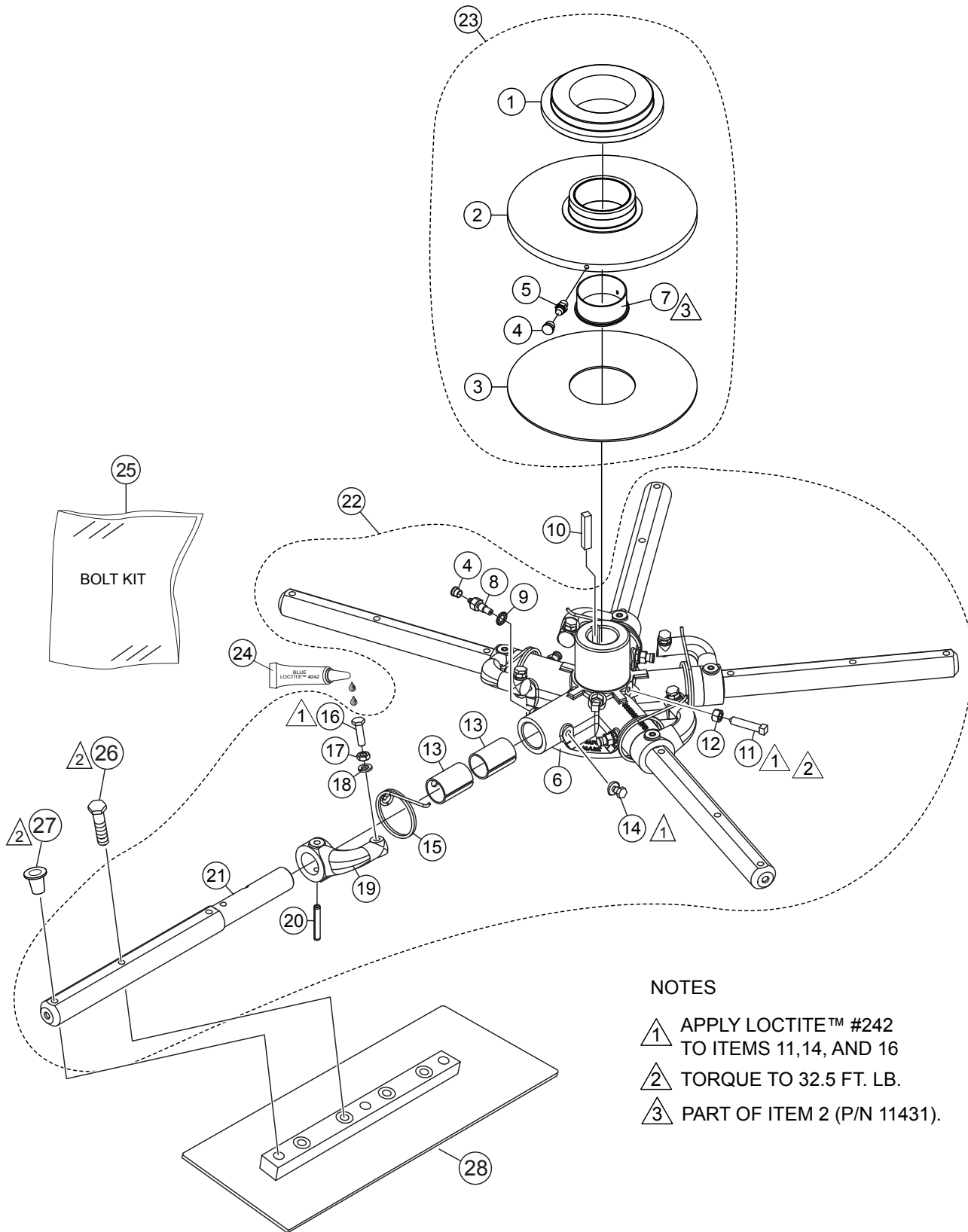
ENGINE COMPONENTS ASSY.



ENGINE COMPONENTS ASSY.

<u>NO.</u>	<u>PART NO.</u>	<u>PART NAME</u>	<u>QTY.</u>	<u>REMARKS</u>
1	9680034	BREATHING VALVE ASSEMBLY	1	
2	5840224	STARTER MOTOR	1	
3	9195124	WATER THERMOSTAT	1	
4	12850742	ALTERNATOR	1	
5	40075	EXHAUST TUBE W/FLANGE	1	
6	10855	CLAMP, 1-1/2" MUFFLER	2	
7	32560	MUFFLER ASSEMBLY	1	
8	40135	MUFFLER MOUNT	1	
9	32603	CLAMP CUSHIONED U-BOLT	1	
10	0205	SCREW, HHC 3/8"-16 X 1.0	2	
11	10136	WASHER, FLAT SAE 3/8"	4	
12	10133	NUT, NYLOC 3/8"-16	2	
13	40077	MOUNT EXTERNAL EXHAUST	1	
14	40076	MOUNT INTERNAL EXHAUST	1	
15	36720	SCREW, HHFS 5/16"-18 X 3/4" GRD 5	4	

LEFT-SIDE SPIDER ASSY.



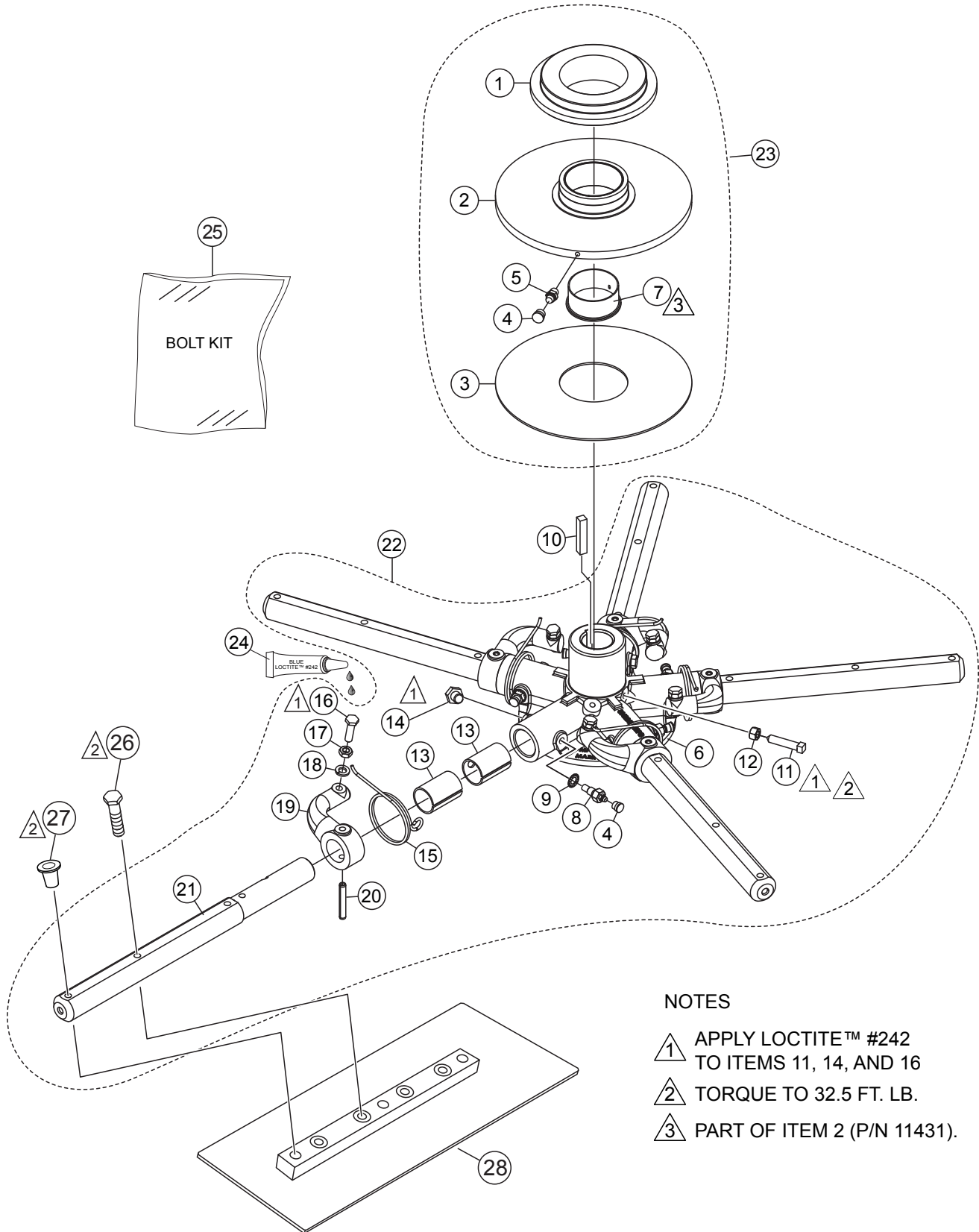
NOTES

- ① APPLY LOCTITE™ #242 TO ITEMS 11, 14, AND 16
- ② TORQUE TO 32.5 FT. LB.
- ③ PART OF ITEM 2 (P/N 11431).

LEFT-SIDE SPIDER ASSY.

<u>NO.</u>	<u>PART NO.</u>	<u>PART NAME</u>	<u>QTY.</u>	<u>REMARKS</u>
1#	12779	BEARING, THRUST 6017-24S W/ FLANGE	1	
2#	11431	THRUST COLLAR W/ BUSHING	1	INCLUDES ITEMS W/\$
3#	11419	PLATE, WEAR	1	
4#@	1162 A	CAP, GREASE ZERK, #2 YELLOW	6	
5#	2621	FITTING, GREASE ZERK STR. 1/4"-28	1	
6@	21208	SPIDER KIT	1	
7#\$	12316	BUSHING, THRUST COLLAR W/ HOLE	1	
8@	A5978	SCREW, ARM RETAINING	5	
9@	1875	WASHER, INT. SHKP, 3/8"	5	
10	12687	KEY, 3/8" SQ X 2"	1	
11@	12097	SCREW, SQHS 3/8"-16 X 1-3/4" GRD 8	2	
12@	1456	NUT, HEX FINISH 3/8"-16	2	
13@	11039	BUSHING, TROWEL LARGE ARM	10	
14@	11602	SCREW, HHC 3/8"-16 X 1/4"	5	
15@	9111	SPRING, LS. H ARM RETURN STD. BOSS	5	
16@	0164 B	SCREW, HHC ROUNDED 3/8"-16	5	
17@	1876	NUT, HEX JAM 3/8"-16 CLASS 2B	5	
18@	0166 A	WASHER, LOCK, 3/8" MED.	5	
19@	11903-1	LEVER, TROWEL ARM, LEFT, SILVER	5	
20@	9006	PIN, ROLL 5/16" X 2" NO PLATE	5	
21@	2829-1	ARM, TROWEL HD EXTENDED, SILVER	5	
22	12932	SPIDER ASSY. 5 BLADE L.S. 1-1/2"	1	INCLUDES ITEMS W/@
23	20938	THRUST COLLAR ASSY.....	1	INCLUDES ITEMS W/#
24	1477	LOCTITE™ #242 BLUE, 0.5 CC BOTTLE	1	
25	23643	KIT, BOLT SAE BLADE.....	1	INCLUDES ITEMS W/%
26%	22174	SCREW, HHFS, 5/16"-18 X 1-3/4" GRD 5	34	
27%	1434	PLUG, BLADE	10	
28		BLADE ASSEMBLY	5	CONTACT UNIT SALES DEPT.

RIGHT-SIDE SPIDER ASSY.



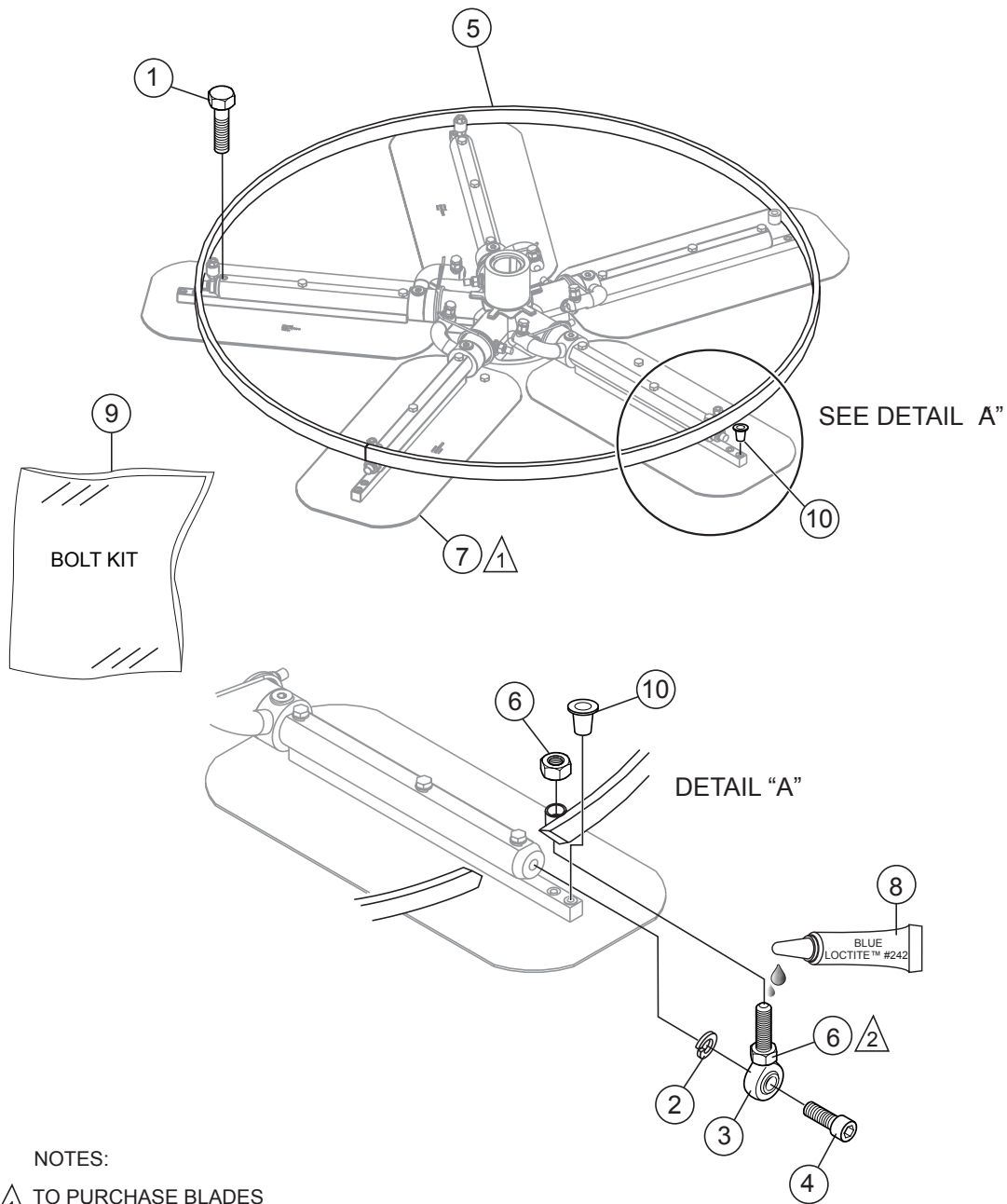
NOTES

- ▲1 APPLY LOCTITE™ #242 TO ITEMS 11, 14, AND 16
- ▲2 TORQUE TO 32.5 FT. LB.
- ▲3 PART OF ITEM 2 (P/N 11431).

RIGHT-SIDE SPIDER ASSY.

<u>NO.</u>	<u>PART NO.</u>	<u>PART NAME</u>	<u>QTY.</u>	<u>REMARKS</u>
1#	12779	BEARING, THRUST 6017-24S W/ FLANGE	1	
2#	11431	THRUST COLLAR W/ BUSHING	1	INCLUDES ITEMS W/\$
3#	11419	PLATE, WEAR	1	
4#@	1162 A	CAP, GREASE ZERK, #2 YELLOW	6	
5#	2621	FITTING, GREASE ZERK STR. 1/4"-28	1	
6@	21208	SPIDER KIT	1	
7#\$	12316	BUSHING, THRUST COLLAR W/ HOLE	1	
8@	A5978	SCREW, ARM RETAINING	5	
9@	1875	WASHER, INT. SHKP, 3/8"	5	
10	12687	KEY, 3/8" SQ X 2"	1	
11@	12097	SCREW, SQHS 3/8"-16 X 1-3/4" GRD 8	2	
12@	1456	NUT, HEX FINISH 3/8"-16	2	
13@	11039	BUSHING, TROWEL LARGE ARM	10	
14@	11602	SCREW, HHC 3/8"-16 X 1/4"	5	
15@	2143	SPRING, RS H ARM RETURN STD. BOSS	5	
16@	0164 B	SCREW, HHC ROUNDED 3/8"-16	5	
17@	1876	NUT, HEX JAM 3/8"-16 CLASS 2B	5	
18@	0166 A	WASHER, LOCK, 3/8" MED.	5	
19@	11904-1	LEVER, TROWEL ARM, RIGHT, SILVER	5	
20@	9006	PIN, ROLL 5/16" X 2" NO PLATE	5	
21@	2829-1	ARM, TROWEL HD EXTENDED, SILVER	5	
22	12933	SPIDER ASSY. 5 BLADE R.S. 1-1/2"	1	INCLUDES ITEMS W/@
23	20938	THRUST COLLAR ASSY.	1	INCLUDES ITEMS W/#
24	1477	LOCTITE™ #242 BLUE, 0.5 CC BOTTLE	1	
25	23643	KIT, BOLT SAE BLADE.....	1	INCLUDES ITEMS W/%
26%	22174	SCREW, HHFS, 5/16"-18 X 1-3/4" GRD 5	34	
27%	1434	PLUG, BLADE	10	
28		BLADE ASSEMBLY	5	CONTACT UNIT SALES DEPT.

STABILIZER RING ASSY.



NOTES:

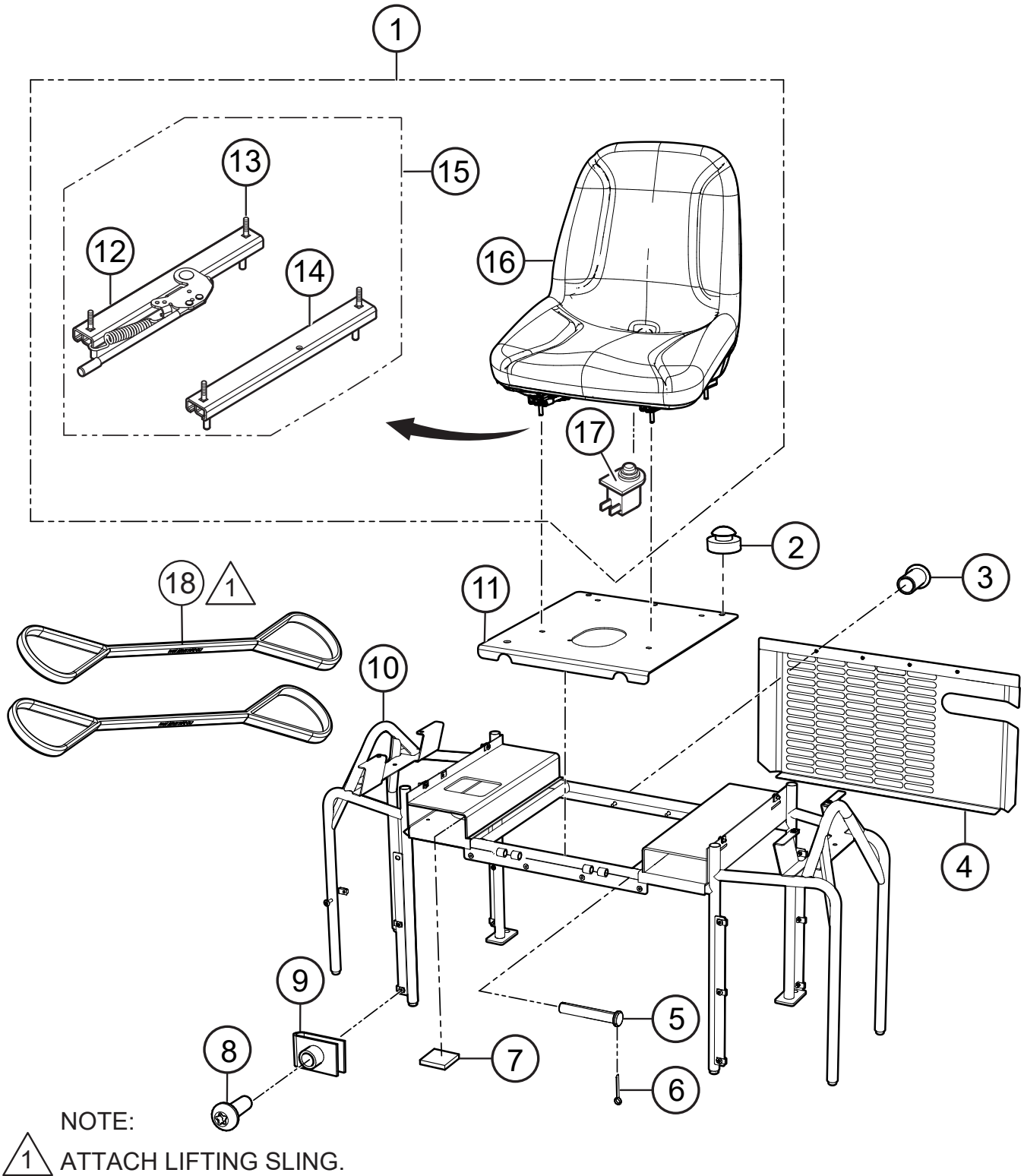
$\triangle 1$ TO PURCHASE BLADES
CONTACT UNIT SALES DEPT.

$\triangle 2$ APPLY BLUE LOCTITE™ #242 X 10

STABILIZER RING ASSY.

<u>NO.</u>	<u>PART NO.</u>	<u>PART NAME</u>	<u>QTY.</u>	<u>REMARKS</u>
1#	22174	SCREW, HHFS 5/16-18 X 1-3/4" GRD 5	30	
2	0161 C	LOCK WASHER, FLAT SAE 5/16" MED.	10	
3	1723	ROD END 5/16"-24 MALE RH	10	
4	1237	SCREW, SHC 5/16"-18 X 7/8" NYLOC	10	
5	12095	RING, STABILIZER	2	
6	6014 C	NUT, HEX FINISH 5/16"-24	20	
7		BLADE ASSEMBLY	10.....	CONTACT UNIT SALES DEPT.
8	1477	LOCTITE™ #242 BLUE, 0.5 CC BOTTLE	1	
9	23643	KIT, BOLT SAE BLADE.....	1.....	INCLUDES ITEMS W/#
10#	1434	PLUG, BLADE	10	

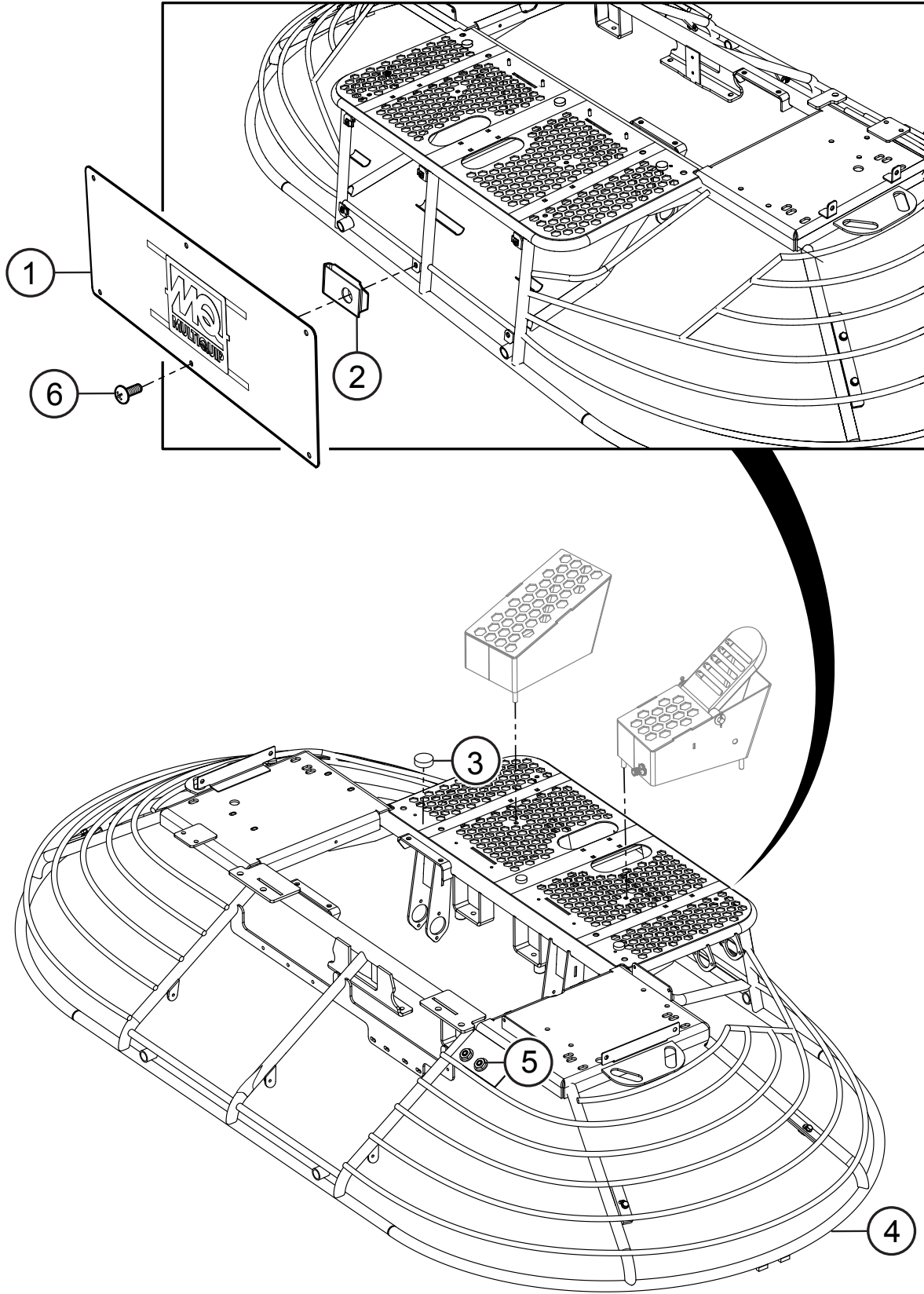
SEAT AND FRAME ASSY.



SEAT AND FRAME ASSY.

<u>NO.</u>	<u>PART NO.</u>	<u>PART NAME</u>	<u>QTY.</u>	<u>REMARKS</u>
1	21861-SK	SEAT, MICHIGAN, ADJUSTABLE W/O ARMS	1.....	INCLUDES ITEMS W/# NO LONGER AVAILABLE
1	32963-SK	SEAT, SEARS, ADJUSTABLE W/O ARMS	1.....	INCLUDES ITEMS W/\$
2	21597	BUMPER, STEM	15	
3	19266	NUT, BLIND 1/4"-20 X .027-.165	8	
4	40099	PANEL, REAR	1	
5	8081	PIN, CLEVIS 1/2" X 2-3/4"	2	
6	0183	PIN, COTTER 1/8" X 1-1/4"	2	
7	23976	MOUNTING BASE, ADHESIVE TIE WRAP	1	
8	34365	SCREW THP, 1/4"-20 X 3/8, SS	42	
9	11534	NUT, "U" TYPE, 1/4"-20	38	
10	40113	SEAT FRAME	1	
11	40061	PLATE, SEAT	1	
12#%	21864	SEAT ADJUSTER, RH	1	
12\$	32965	SEAT ADJUSTER RH, SEARS	1	
13#%	0400 B	SCREW, HHC 5/16"-18 X 12"	4	
14#%	21863	SEAT ADJUSTER, LH	1	
14\$	32964	SEAT ADJUSTER, RH	1	
15#	21865	SEAT ADJUSTER KIT, MICHIGAN.....	1.....	INCLUDES ITEMS W/%
16#	21860	SEAT, BASIC, MICHIGAN	1.....	NO LONGER AVAILABLE
17#	21870	KILL SWITCH, DELTA	1.....	REPLACES P/N 32980
17\$	32962	KILL SWITCH, SEARS	1	
18	23165	SLING, LIFTING	2	

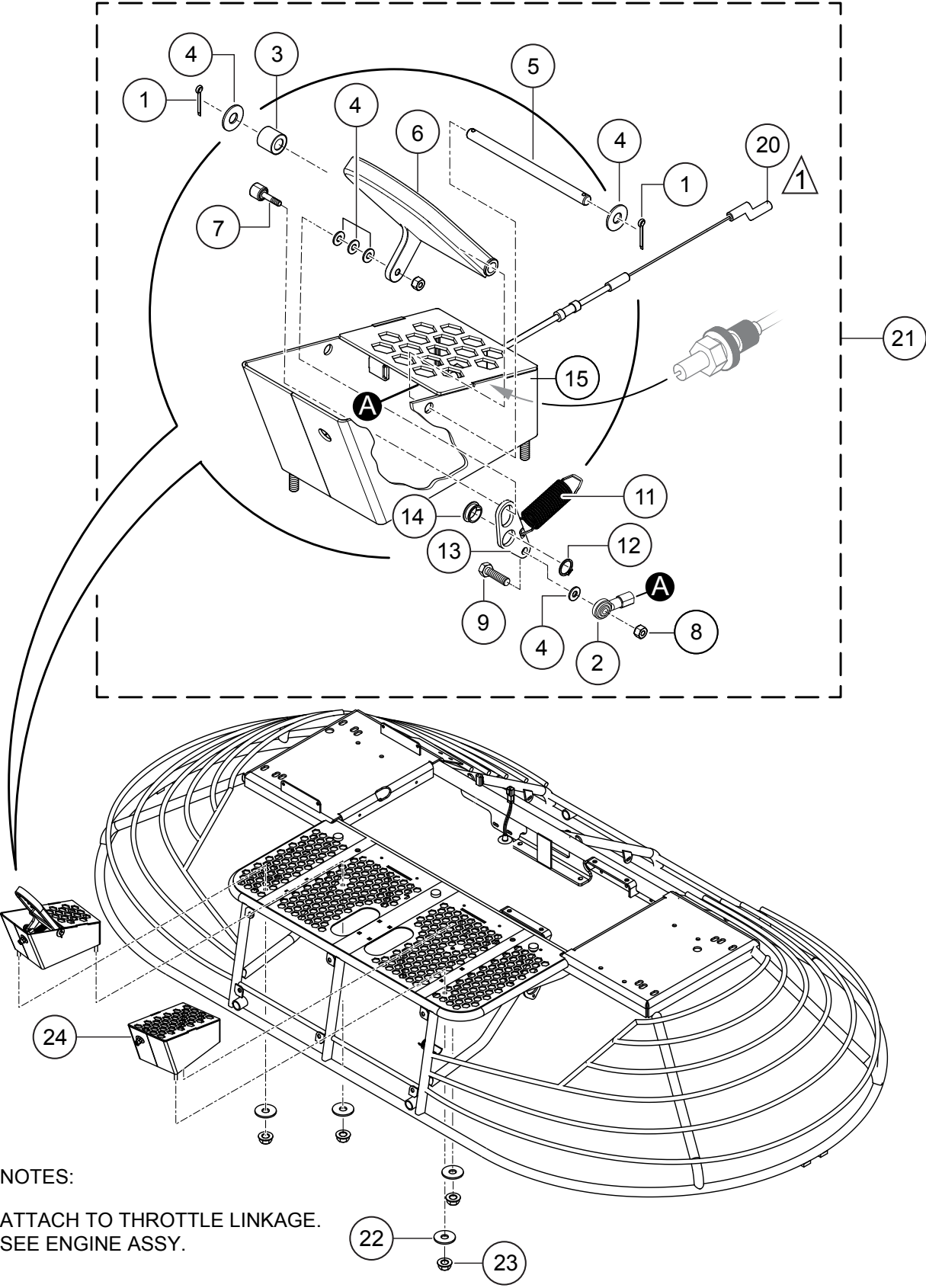
FRAME AND COMPONENTS ASSY.



FRAME AND COMPONENTS ASSY.

<u>NO.</u>	<u>PART NO.</u>	<u>PART NAME</u>	<u>QTY.</u>	<u>REMARKS</u>
1	20946	PANEL, FRONT BODY	1	
2	11534	NUT, "U" TYPE, 1/4"-20	6	
3	21597	BUMPER, STEM	3	
4	40002	FRAME, MAIN	1	
5	23943	TUBING, REMOTE GREASE LINE W/ FITTINGS	2	
6	12287	SCREW, THP 1/4"-20 X 3/4" SS	6	

THROTTLE ASSY.



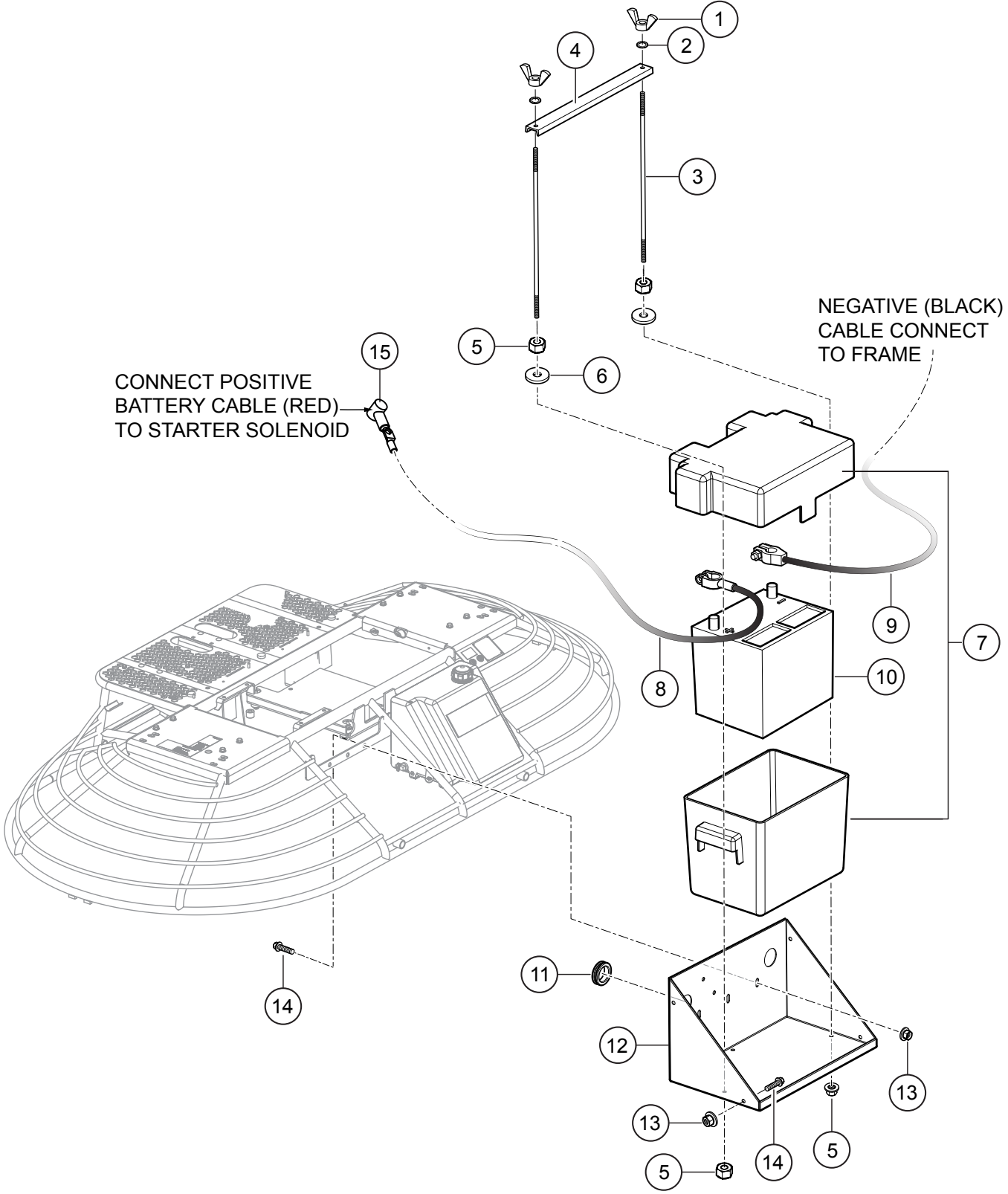
NOTES:

1 ATTACH TO THROTTLE LINKAGE.
SEE ENGINE ASSY.

THROTTLE ASSY.

<u>NO.</u>	<u>PART NO.</u>	<u>PART NAME</u>	<u>QTY.</u>	<u>REMARKS</u>
1@	6014 B	PIN, COTTER 3/32" DIA. X 1.00"	2	
2@	2153	ROD END	1	
3@	3083	SPACER, PEDAL	1	
4@	10136	WASHER, FLAT SAE 3/8"	8	
5@	2772	PIN, ACCELERATOR PEDAL	1	
6@	23591	PEDAL, ACCELERATOR	1	
7@	460018	CAM ROLLER	1	
8@	32526	NUT, 10-32 FLEX LOCK	2	
9@	32527	SCREW, HHC 10-32 X 3/4" SS	1	
11@	32512	SPRING, EXT., 0.625" OD X 2.25" L X 0.64Z	1	
12@	1737	SNAP RING, EXTERNAL, 1/2" DIA.	1	
13@	40108	LINKAGE, ACCELERATOR PEDAL	1	
14@	38368	BUSHING, SPLIT FLANGED, 1/2" ID.	1	
15@	23592	FOOT RISER, ACCELERATOR SIDE	1	
20@	23518	CABLE, THROTTLE	1	
21	40056	ACCELERATOR PEDAL, ASSEMBLY.....	1.....	INCLUDES ITEMS W/@
22	933213	WASHER, FENDER 5/16" X 1"	4	
23	49071	NUT, FLANGED 5/16"-18	4	
24	23568	FOOT RISER, LEFT SIDE	1	

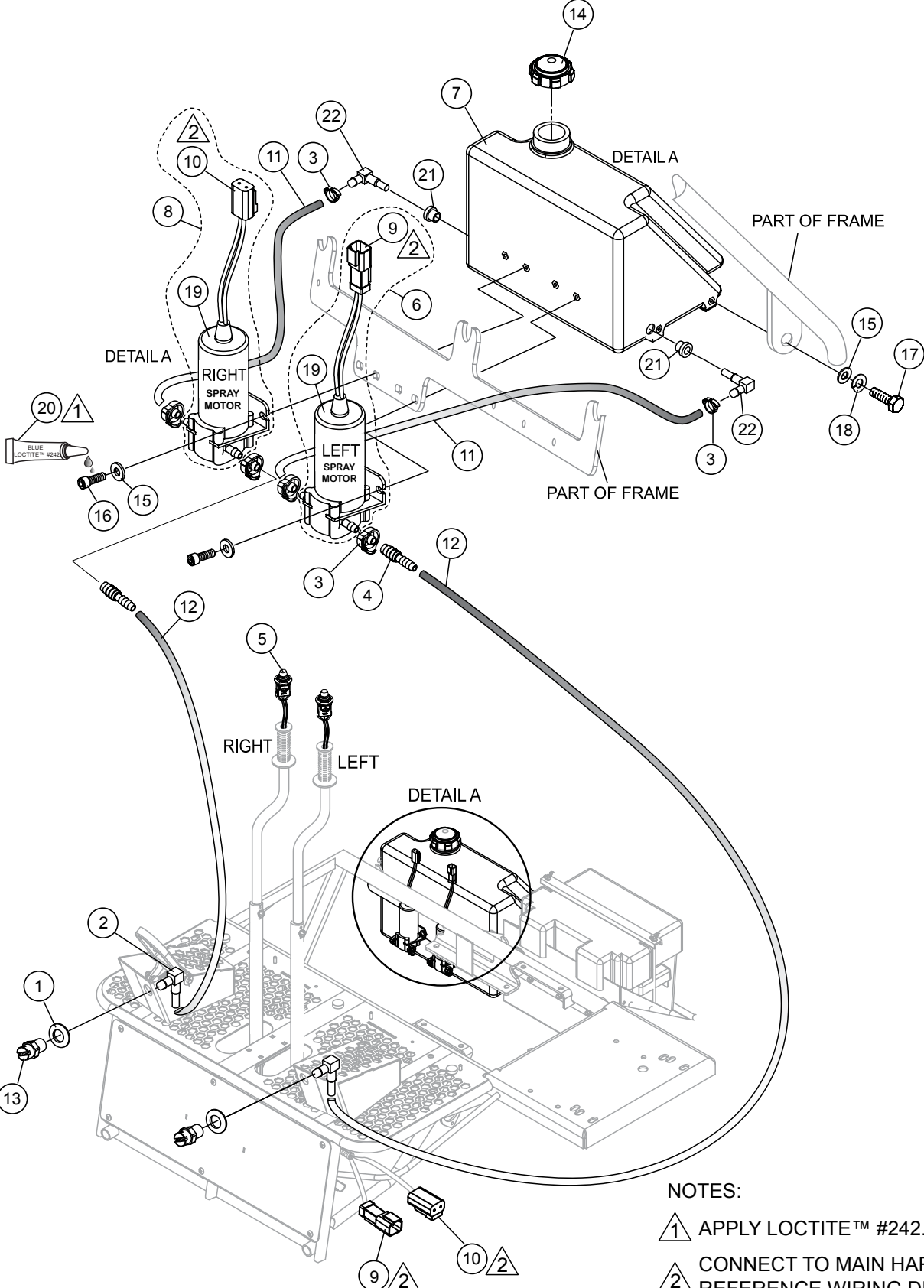
BATTERY ASSY.



BATTERY ASSY.

<u>NO.</u>	<u>PART NO.</u>	<u>PART NAME</u>	<u>QTY.</u>	<u>REMARKS</u>
1	2509	NUT, WING 1/4"-20 PLATED	2	
2	10031	WASHER, EXT. SHKP, 1/4"	2	
3	11693	BOLT, BATTERY BRACKET	2	
4	11692	BRACKET	1	
5	10024	NUT, NYLOC 1/4"-20	4	
6	0948	WASHER, FLAT SAE 1/4"	8	
7	10318	BATTERY BOX	1	
8	19303	CABLE, BATTERY POS. 4 GA. X 48" POST	1	
9	10313	CABLE, BATTERY NEG. 6 GA. X 20" POST	1	
10	10315	BATTERY, WET 12V GR24	1	
11	13212	GROMMET, 1-1/4" ID.	1	
12	11362	BATTERY BOX	1	
13	49070	NUT, FLANGED 1/4"-20	5	
14	49048	SCREW, HHFS 1/4"-20 X 3/4" GRD 5	5	
15	2762	BOOT, TERMINAL	1	

SPRAY ASSY.

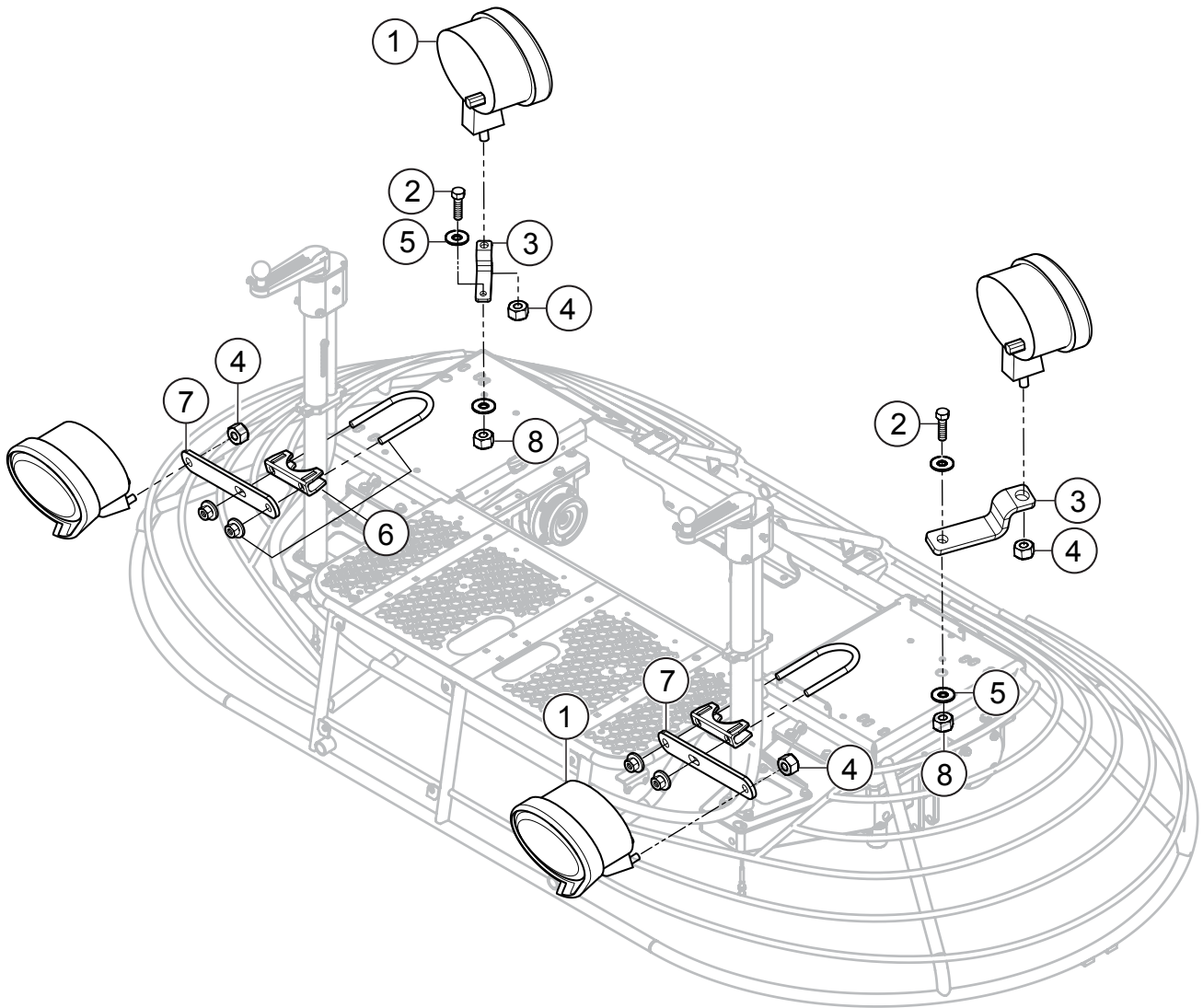


- NOTES:
- ① APPLY LOCTITE™ #242.
 - ② CONNECT TO MAIN HARNESS. REFERENCE WIRING DIAGRAM.

SPRAY ASSY.

<u>NO.</u>	<u>PART NO.</u>	<u>PART NAME</u>	<u>QTY.</u>	<u>REMARKS</u>
1	2898	WASHER, BONDED NEOPRENE 1 X 1/2"	2	
2	2912	FITTING, 90 4BARB-1/4" FP	2	
3	2918	CLAMP, HOSE, 475-536 ID.	6	
4	10022	FITTING, PLASTIC 6BARB-4BARB	2	
5	11430	SWITCH ASSEMBLY	2	
6	23434	PUMP SPRAY ASSY. W/ MALE CONNECTOR	1	INCLUDES ITEMS W/#
7	12403	RETARDANT TANK 5 GALLON	1	
8	23971	PUMP SPRAY ASSY. W/ FEMALE CONNECTOR.....	1	INCLUDES ITEMS W/\$
9#	37402	CONNECTOR KIT, MALE	2	
10\$	37403	CONNECTOR KIT, FEMALE	2	
11	60002	HOSE, PVC CLEAR .375 ID. X .5 OD.....	8	1PC=1FT
12	60001	HOSE, .375 OD. X .25 ID. CLEAR PVC.....	9	1PC=1FT
13	392292	NOZZLE, SPRAY	2	
14	2108	CAP, SPRAY TANK	1	
15	0948	WASHER, FLAT SAE 1/4"	8	
16	923203	SCREW, SHC 1/4"-20 X 3/4"	4	
17	0131 A	SCREW, HHC 1/4"-20 X 3/4"	2	
18	0181 B	WASHER, LOCK 1/4" MED.	2	
19\$#	12548	PUMP, SPRAY	2	
20	1477	LOCTITE™ #242 BLUE, 0.5 CC, BOTTLE	1	
21	19633	BUSHING, RUBBER FUEL	2	
22	29677	FITTING, 90°	2	
23	19661	VALVE, SHUTOFF	1	

LIGHTS ASSY.



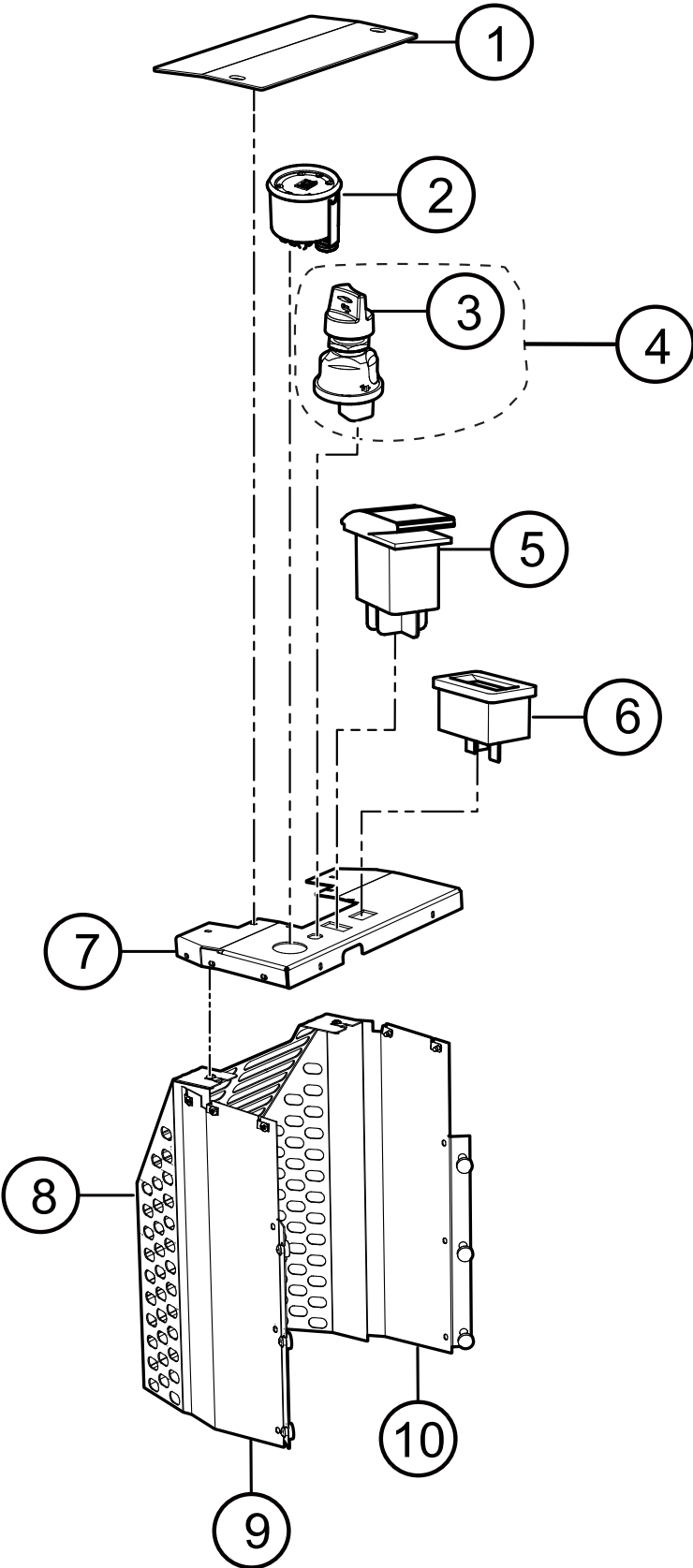
LIGHTS ASSY.

<u>NO.</u>	<u>PART NO.</u>	<u>PART NAME</u>	<u>QTY.</u>	<u>REMARKS</u>
1	32640	LIGHT, LED 20W, OVAL	4.....	INCLUDES ITEMS W/#
2	3242	SCREW, HHC 1/2"-13 X 1 3/4"	2	
3	22420	BRACKET, LIGHT	2	
4#		NUT	4	
5	0447	WASHER, FLAT SAE 1/2"	4	
6	2534	CLAMP, 1-3/4"	2	
7	2531	BRACKET, LIGHT	2	
8	10176	NUT, NYLOC 1/2"-13	2	

FRONT PANEL ASSY.

<u>NO.</u>	<u>PART NO.</u>	<u>PART NAME</u>	<u>QTY.</u>	<u>REMARKS</u>
1	40068	PANEL, NAMEPLATE	1	
2	40069	PLATE, TRIM BACKING	1	
3	19847	RIVET, POP BH .187 X.125-.250 GRIP	22	
4	40119	HEAT SHIELD, FRONT	1	
5	40021	PANEL, FRONT	1	
6	23619	SCREW, HHFS 1/4"-20 X 1-1/4"	1	
7	40136	FUSE BLADE 80A	1	
8	ED0021931340	RELAY, GLOW PLUGS	1	
9	32594	RELAY, 80AMP, 12 VDC	1	
10	5065 B	SCREW, PHP 10-32 X 1/2"	1	
11	23284-050	FUSE, 5 AMP	1	
12	23284-100	FUSE, 10 AMP	3	
13	15175	SCREW, PHP 8-32 X 3/4"	4	
14	22426	BLOCK, TERMINAL FUSE	1	
15	40122	MOUNT FUSE BLOCK	1	
16	15173	WASHER, FLAT, #8	4	
17	13287	NUT, NYLOC 8-32	4	
18	19266	NUT, BLIND 1/4"-20 X .027-.165	5	
19	12287	SCREW, THP 1/4"-20 X 3/4"	4	
20	40137	PLATE, HEAT SHIELD EXTENSION	1	
21	23284-150	FUSE, 15 AMP	1	

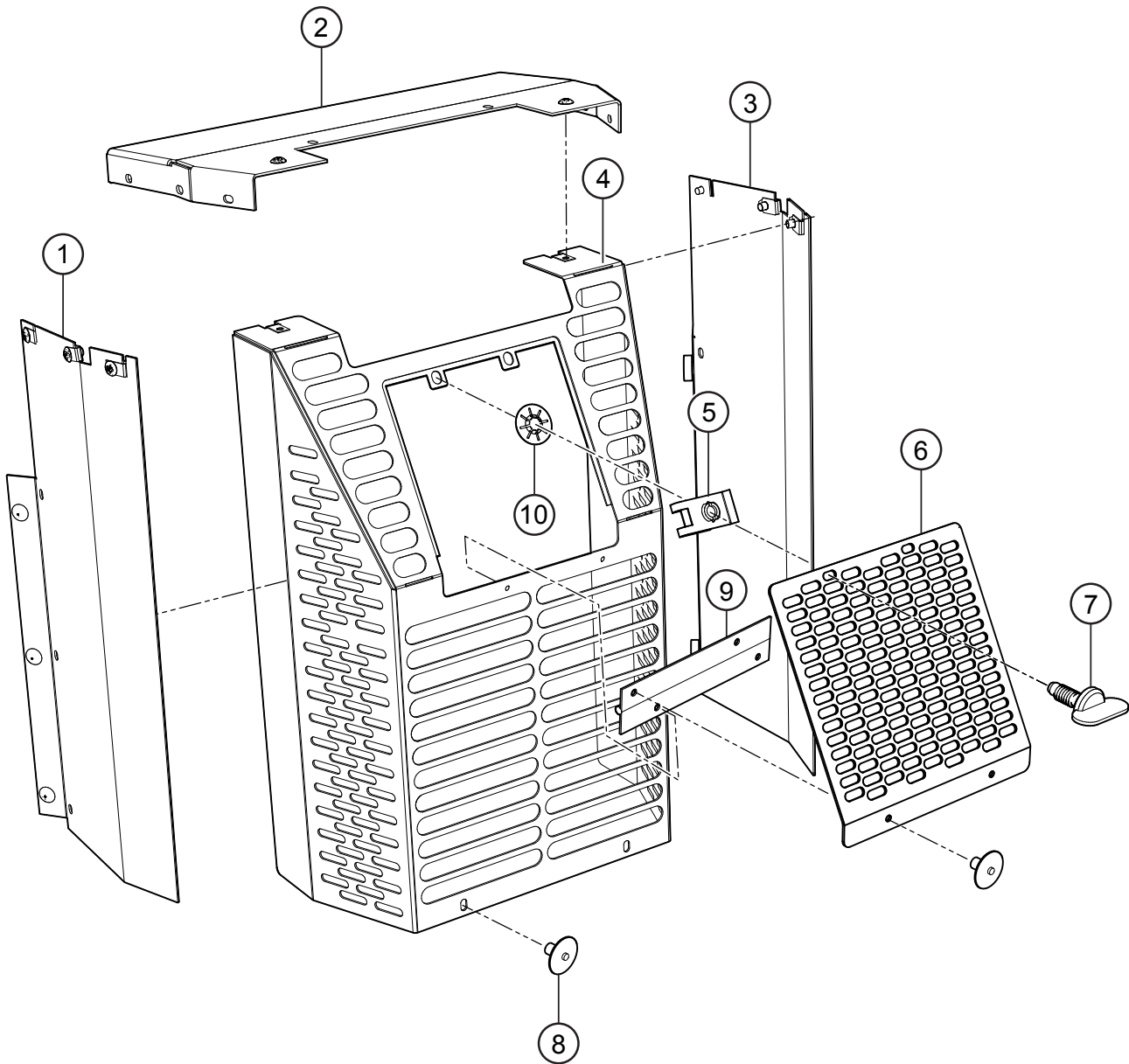
TOP RIGHT CONTROL PANEL ASSY.



TOP RIGHT CONTROL PANEL ASSY.

<u>NO.</u>	<u>PART NO.</u>	<u>PART NAME</u>	<u>QTY.</u>	<u>REMARKS</u>
1	40091	PANEL, RADIATOR CAP ACCESS	1	
2	22408	INDICATOR, ENGINE	1	
3#	23959-01	IGNITION KEY W/ BOOT	1	
4	23959	SWITCH, IGNITION W/ BOOT	1	INCLUDES ITEMS W/#
5	406000	SWITCH, ROCKER	1	
6	29640	HOUR METER	1	
7	40085	CAP, SEAT FRAME - RIGHT	1	
8	40081	PANEL, OUTER SEAT FRAME RIGHT	1	
9	40070	PANEL, SIDE, RIGHT FRONT	1	
10	40071	PANEL, SIDE, LEFT FRONT	1	

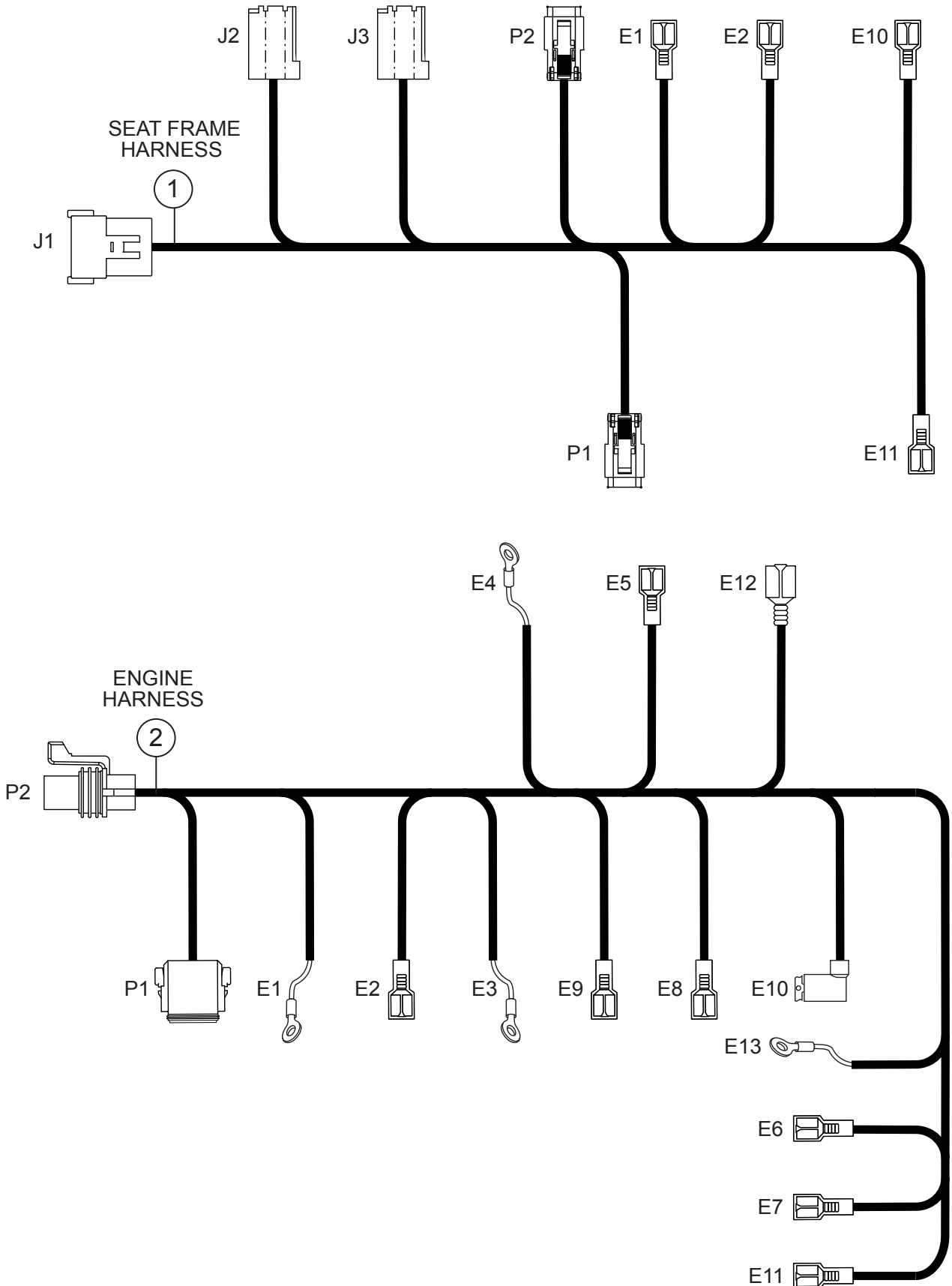
TOP LEFT CONTROL PANEL ASSY.



TOP LEFT CONTROL PANEL ASSY.

<u>NO.</u>	<u>PART NO.</u>	<u>PART NAME</u>	<u>QTY.</u>	<u>REMARKS</u>
1	40071	PANEL, SIDE	1	
2	40067	CAP, OUTER SEAT FRAME LEFT	1	
3	40070	PANEL, SIDE	1	
4	40088	PANEL, OUTER SEAT FRAME LEFT	1	
5	30056	CLIP, FAST LEAD, MED.	2	
6	40086	PANEL, FUEL TANK ACCESS	1	
7	30055	SCREW, FAST LEAD, MED.	2	
8	21992	RIVET, POP BH .187 X .188-.250 AL/STL	4	
9	40090	HINGE, FUEL ACCESS PANEL	1	
10	30057	WASHER, FAST LEAD SS, MED.	2	

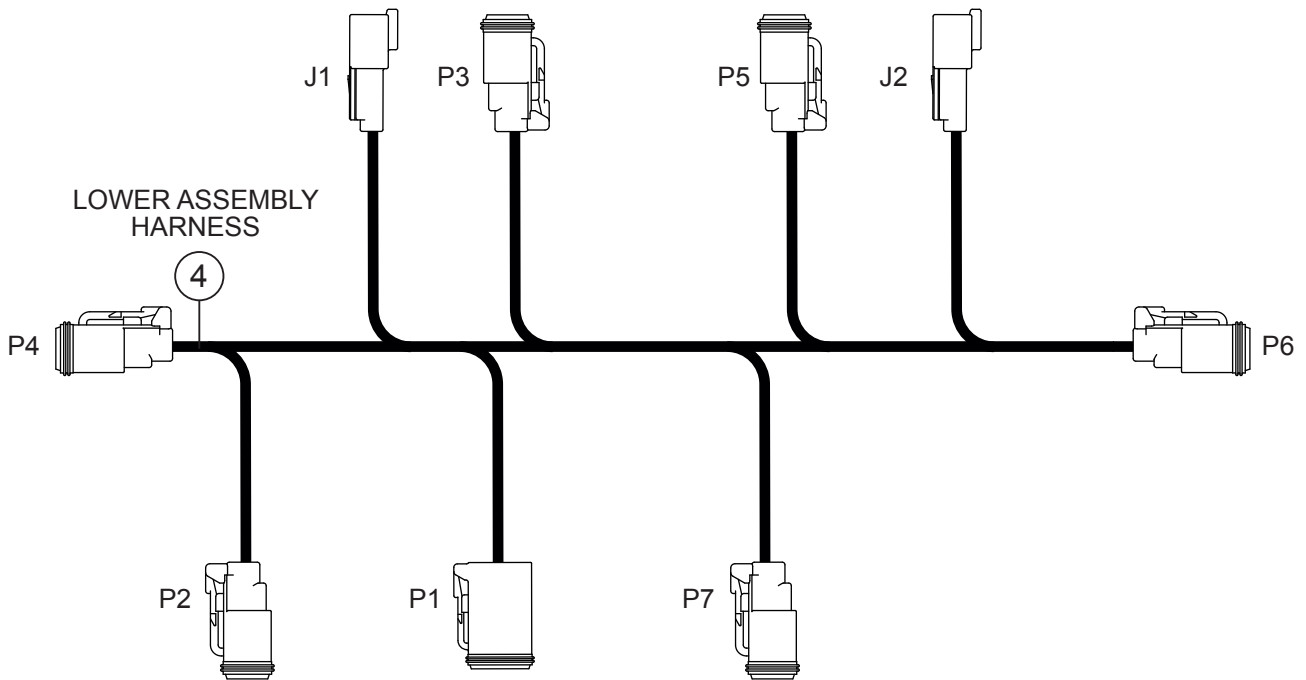
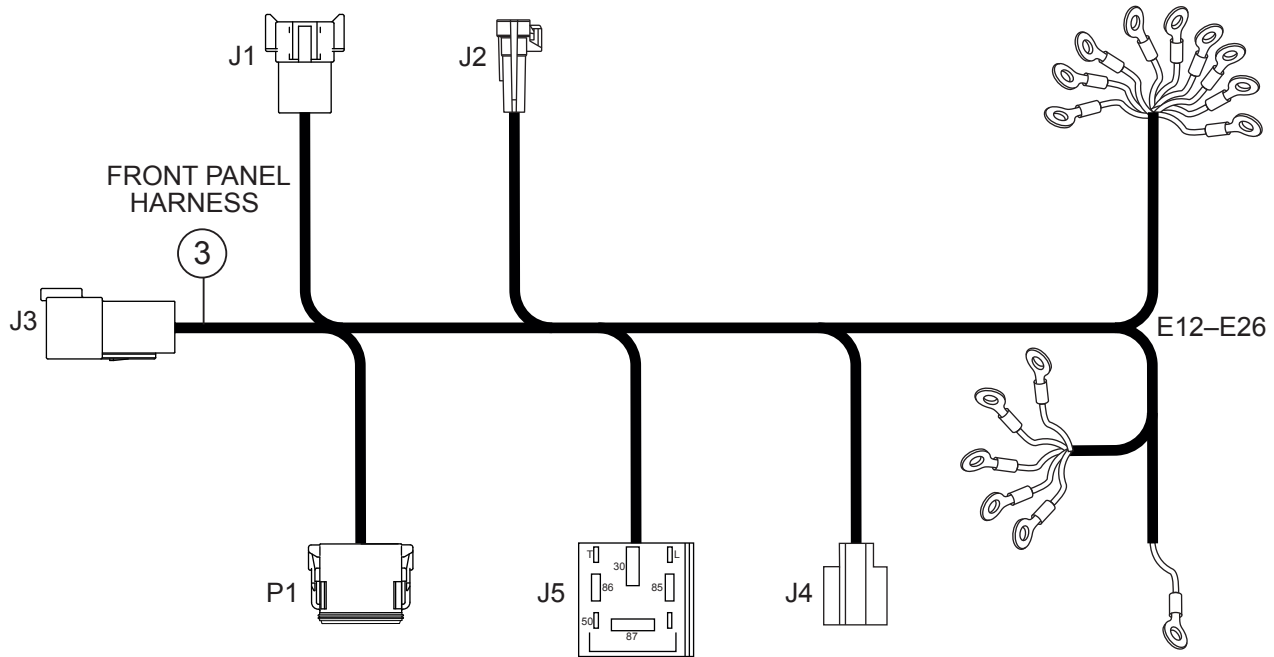
HARNESS ASSY.



HARNES ASSY.

<u>NO.</u>	<u>PART NO.</u>	<u>PART NAME</u>	<u>QTY.</u>	<u>REMARKS</u>
1	40124	HARNES, SEAT FRAME	1	
2	40125	HARNES, ENGINE	1	

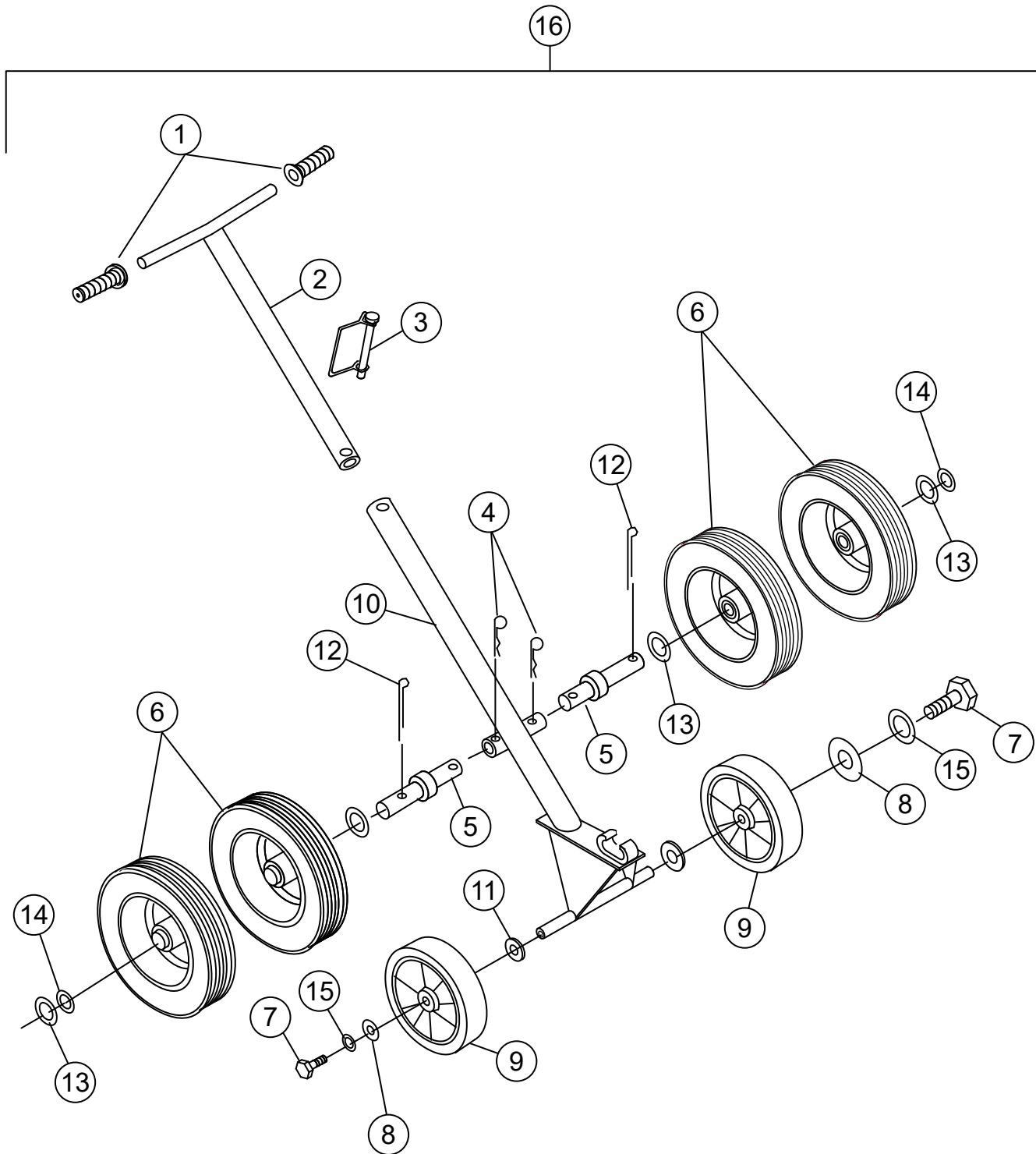
HARNESS ASSY. (CONTINUED)



HARNES ASSY. (CONTINUED)

<u>NO.</u>	<u>PART NO.</u>	<u>PART NAME</u>	<u>QTY.</u>	<u>REMARKS</u>
3	40126	HARNES, FRONT PANEL	1	
4	40127	HARNES, LOWER ASSY.	1	

E-Z MOVER AND LIFT HANDLE ASSY.



E-Z MOVER AND LIFT HANDLE ASSY.

<u>NO.</u>	<u>PART NO.</u>	<u>PART NAME</u>	<u>QTY.</u>	<u>REMARKS</u>
1#	22762	HAND GRIP	2	
2#	2336	HANDLE, UPPER	1	
3#	QS1869	PIN, SNAP	1	
4#	7170	CLIP	4	
5#	11684	AXLE, DOLLY	2	
6#	10440	WHEEL & TIRE	4	
7#	0655	SCREW, HHCS 5/16"-18 X 3/4"	2	
8#	0300 B	WASHER, FLAT 5/16"	2	
9#	2364	WHEEL, 2 X 8 MOLDED RUBBER	2	
10#	10445	93 EZ MOVER LOWER	1	
11#	4684	WASHER, FLAT 5/8"	2	
12#	0183	COTTER PIN	4	
13#	10446	WASHER, NYL. 3/4" ID. X 1-1/2" OD. X 1/16"	8	
14#	8151	WASHER, FLAT SAE 3/4"	8	
15#	0161 C	WASHER, LOCK 5/16"	2	
16	EMR2	E-Z MOVER ASSY.....	1.....	INCLUDES ITEMS W/# SEE NOTICE BELOW

NOTICE

Purchase EZ-Mover Assembly through MQ Unit Sales.

PARTS MANUAL

HERE'S HOW TO GET HELP

PLEASE HAVE THE MODEL AND SERIAL
NUMBER ON-HAND WHEN CALLING

UNITED STATES

Multiquip Inc.

(310) 537- 3700
6141 Katella Avenue Suite 200
Cypress, CA 90630
E-MAIL: mq@multiquip.com
WEBSITE: www.multiquip.com

CANADA

Multiquip

(450) 625-2244
4110 Industriel Boul.
Laval, Quebec, Canada H7L 6V3
E-MAIL: infocanada@multiquip.com

UNITED KINGDOM

Multiquip (UK) Limited Head Office

0161 339 2223
Unit 2, Northpoint Industrial Estate,
Globe Lane,
Dukinfield, Cheshire SK16 4UJ
E-MAIL: sales@multiquip.co.uk

© COPYRIGHT 2026, MULTIQUIP INC.

Multiquip Inc. and the MQ logo are registered trademarks of Multiquip Inc. and may not be used, reproduced, or altered without written permission. All other trademarks are the property of their respective owners and used with permission.

This manual MUST accompany the equipment at all times. This manual is considered a permanent part of the equipment and should remain with the unit if resold.

DISCLAIMER: Product features, descriptions, and specifications are based on published information at the time of publication and are subject to change at any time without notice. Multiquip Inc. and its affiliates reserve the right to change specifications, features, design, and descriptions of products at any time without notice.



PN: 40019