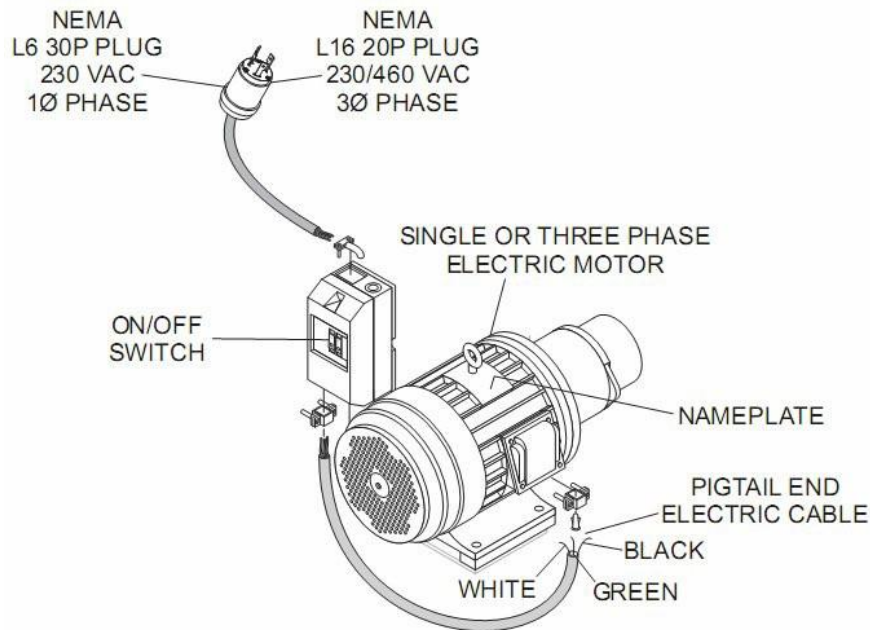


Baldor 5 HP Electric Motor Plug Connectors

The electric motors are equipped with either a 3-prong (1Ø) or a 4-prong (3 Ø) plug. When supplying power to the electric motor pay special attention to the electrical data plate on the electric motor. Always make certain that the correct voltage is being supplied to the motor.



WARNING: Applying incorrect power to the motor can severely damage the motor and may cause serious bodily injury! Safety precautions should be followed at all times when servicing this equipment. Consult operations manual for more safety information.



Use this chart to determine the required NEMA mating receptacle

Electric Motor Horsepower Rating	230 VAC - 1Ø Phase	230/460 VAC - 3Ø Phase
5 HP	NEMA Plug Connector 3-Prong L6-30P P/N 201794	NEMA Plug Connector 4-Prong L16-20P P/N 111012320
	NEMA Receptacle Connector 3-Prong L6-30R P/N TBD	NEMA Receptacle Connector 4-Prong L16-20R P/N 110012340

(see plug connector wiring on the next page)



This bulletin is provided for technical reference and service related updates. If you have any questions, comments or do not wish to receive these e-mails, please reply to this e-mail or call the Service Technical Support Group 800 478-1244.

ELECTRIC MOTOR PLUG CONNECTORS

