



Technical Information

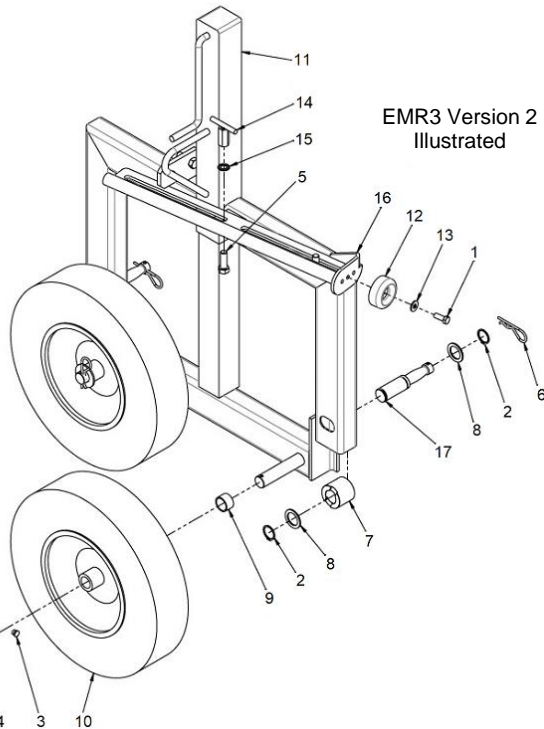
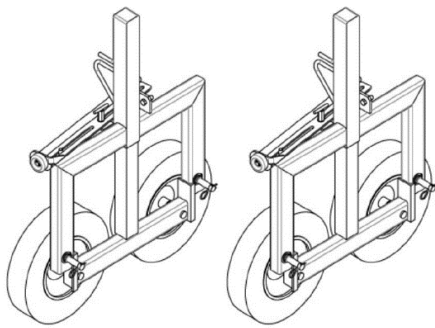
Product Group: TROWELS

Model: EMR3

The information and specifications included in this publication were in effect at the time of approval for printing. Illustrations, descriptions, references and technical data contained in this document are for guidance only and may not be considered as binding. Multiquip Inc. reserves the right to discontinue or change specifications, design or the information published in this publication at any time without notice and without incurring any obligations.

EMR3 VERSIONS 1 & 2 SETUP

Easy Mover transport dolly for LD6, HTX, STX, HHN and HHX model ride-on trowels. Set of two jack stands (Left/Right) with two flat free tires per side.



ITEM NO.	PART NO.	DESCRIPTION	QTY.
1	0205	SCREW, HHC 3/8-16 X 1.0	1
2	1138	RING, SNAP, TRUARC 5100-112	4
3	1162 A	CAP, GREASE ZERK, #2 YELLOW	2
4	3264	WASHER, FLAT SAE 1.00	2
5	5218	SCREW, HHC 1/2-13 X 1 1/2	2
6	7170	PIN, HITCH CLIP 5/32 X 3-5/16	4
7	12280	SPACER, SIDE MOUNT EZ MOVER	2
8	12284	SHIM, .093	4
9	12285	SPACER, WHEEL EZ MOVER	2
10	12440	FLAT FREE 480/ 400-8 TIRE ASM	2
11	12334	JACK, EZ MOVER W/A	1
12	17336	BUMPER, 2.5" DIA X 1"	1
13	19470	WASHER, FLAT 5/16 USS	1
14	20761	NUT, ARM LOCK W/A	1
15	20765	WASHER, EXT. SHKP, 1/2 EMR2	1
16	32931	ARM, EMR FRAME SUPPORT, W/A	1
17	32951	PIN, LOCKING EZ MOVER	2

© COPYRIGHT 2020, MULTIQIP INC, Rev. 0 (03302021)

EMR3 VERSIONS 1 & 2 SETUP

EMR3 Version 1 Locking Pin

Cotter Pins are Required



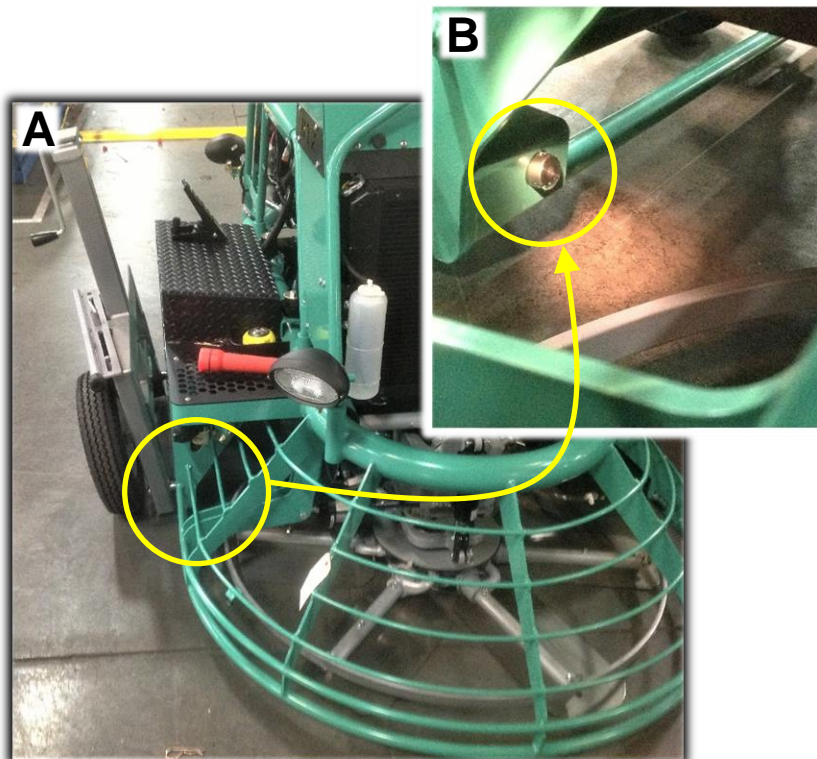
EMR3 Version 2 Locking Pin

Cotter Pins are Optional

Newly designed locking pin/shaft is machined in a way that it self-locks in boss.



1. Insert the EMR3 Locking Pins into trowel Pin Support Boss Holes located near the bottom center of guard/frame, ref. images **A** & **B**.
2. Once in place as shown, install supplied cotter pins to ends of the locking pins of EMR3 Version 1, optional for EMR3 Version 2 locking pins, ref. image **B**.



EMR3 VERSIONS 1 & 2 SETUP

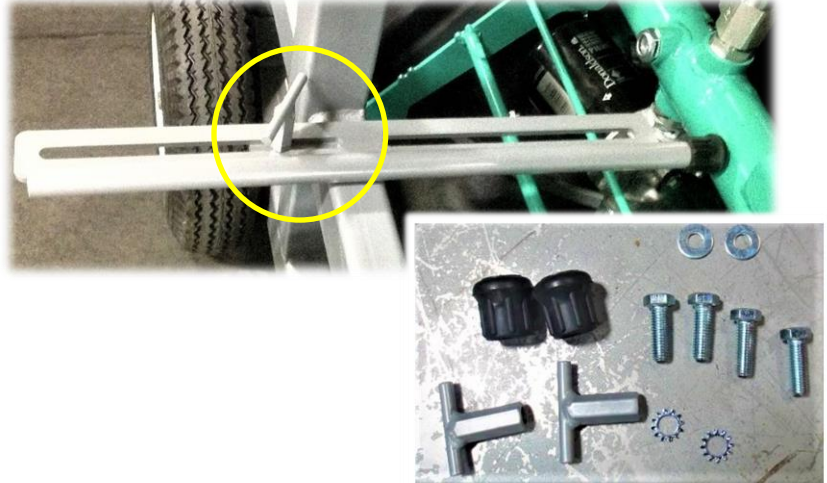
EMR3 Version 1

Adjustable stabilizer bar is a bolt-on bracket type.

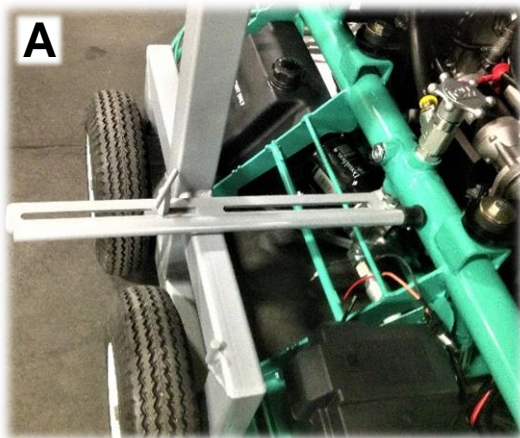


EMR3 Version 2

Adjustable stabilizer bar is equipped with a T handle type locking nut for quick adjustments.



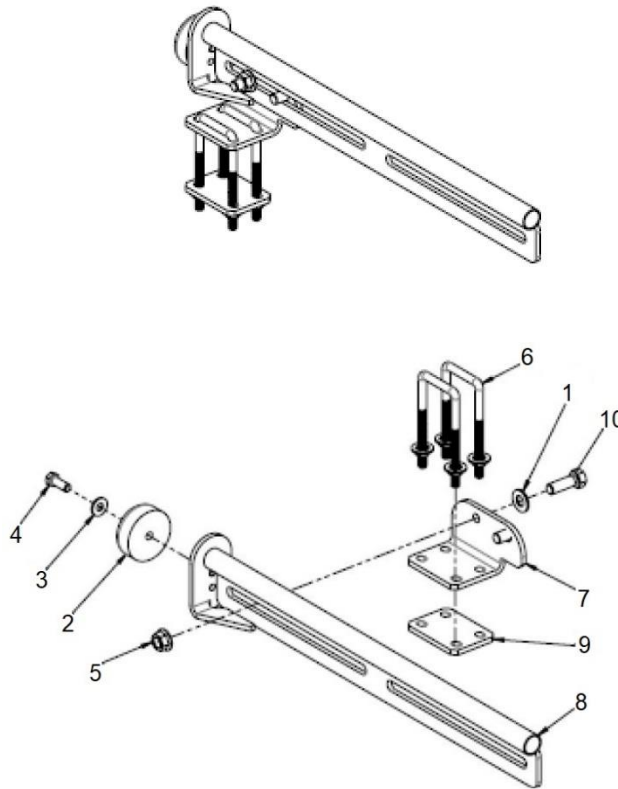
3. Install the adjustable stabilizer bars onto each Jack stand as shown below (EMR3 Version 2 shown) at front and rear of unit, ref. images **A** & **B**. Assembly is now complete and safe to use.



EMR3 VERSIONS 1 & 2 SETUP

EMR3 Version 1 Retrofit

To retrofit the earlier EMR3 without support arm so it will work with our newer style trowels, kit part #32915-SK can be installed.



ITEM	PART NO.	DESCRIPTION	QTY.
1	16630	WASHER, FLAT SAE 1/2" HI STRENGTH	1
2	17336	BUMPER, 2.5" DIA X 1"	1
3	19470	WASHER, FLAT 5/16" USS	1
4	0205	SCREW, HHC 3/8"-16 X 1.0	1
5	26328	NUT, HFS, 1/2"-13	1
6	32912	BOLT, SQUARE U 2X4.63X3/8	2
7	32929	BRACKET W/A, BOLT-ON EMR3	1
8	32931	ARM, EMR FRAME SUPPORT, W/A	1
9	32933	PLATE, BOLT-ON EMR 3	1
10	5218	SCREW, HHC 1/2"-13 X 1 1/2"	1