

MQ Whiteman HTXG6DF Maintenance Kit

Part Number: FKITHTXG6DF

Compatible Models

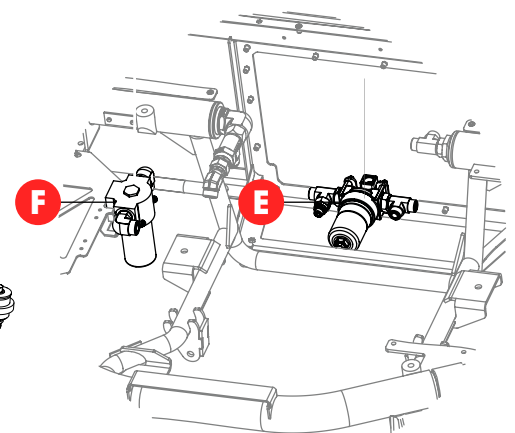
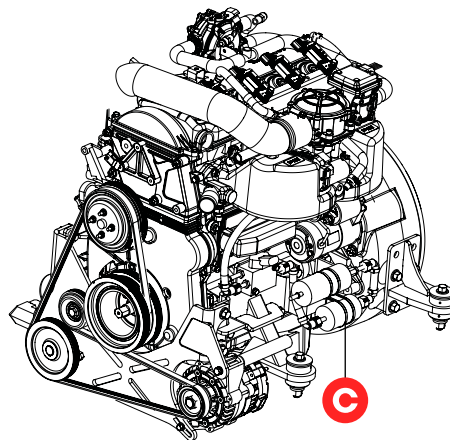
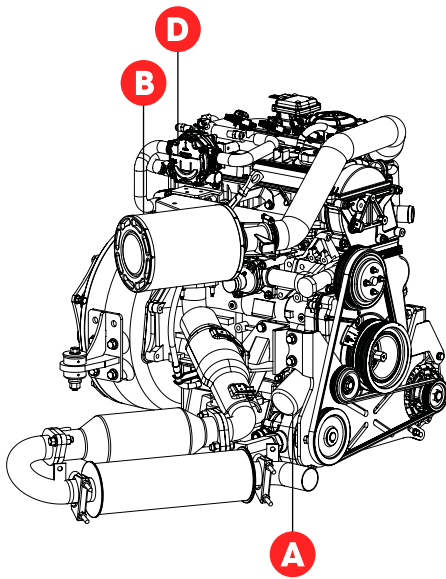
- HTXG6DF

Kit Includes

All scheduled maintenance items needed during the first 400 hours of operation.



	Maintenance Item	Part Number	Qty.	Service Schedule
A	Engine Oil Filter	42009-25	2	Every 200 Hours
B	Air Filter Element - Primary	42037	1	Every 400 Hours
C	Fuel Filter - Primary	42009-03	1	Every 400 Hours
D	LPG Filter	42322	1	Every 400 Hours
E	Hyd. Med Pressure Filter	32433-1	1	Every 400 Hours
F	Hyd. High Pressure Filter	42127-1	1	Every 400 Hours



© COPYRIGHT 2024 MULTIQUIP, INC. (020524)

Need a Maintenance Kit?

Call our Parts Department at 800-427-1244
or email us at parts@multiquip.com