

MQ Mikasa Plate Compactor Filter Kit

Part Number: FKITMVC3

Compatible Models

- MVC82
- MVC88

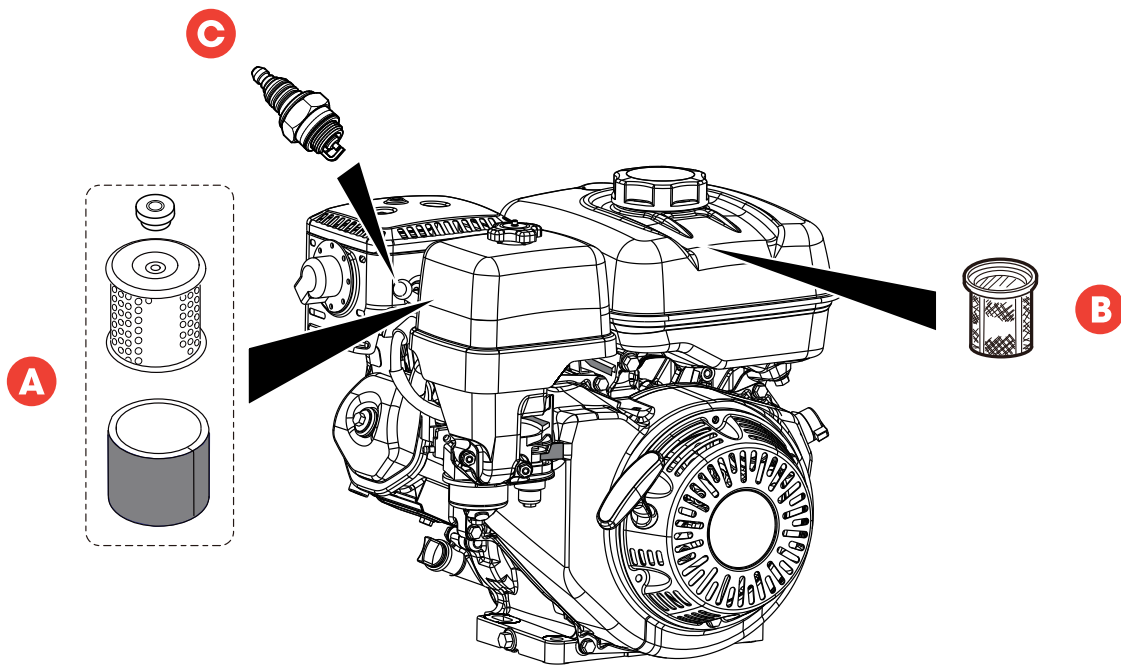
Using Honda Engines with Cyclonic Filtration

- GX160UT2QCM

Kit Includes

All scheduled maintenance items needed during the first 200 hours of operation.

	Maintenance Item	Part Number	Qty.	Service Schedule
A	Air Filter	17210Z0V781	1	Every 100 Hours
B	Fuel Filter	17672Z4H000	1	Every 100 Hours
C	Spark Plug	9807956846	1	Every 200 Hours



Need a Maintenance Kit?

Call our Parts Department at 800-427-1244

or email us at parts@multiquip.com