

MQ WBH16AWDF Maintenance Kit

Part Number: FKITWBH16AWDF

Compatible Models

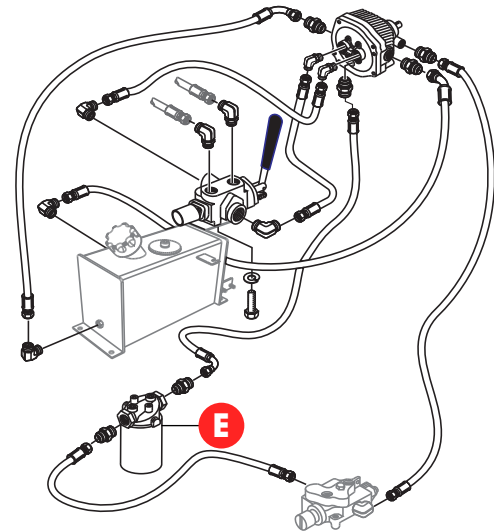
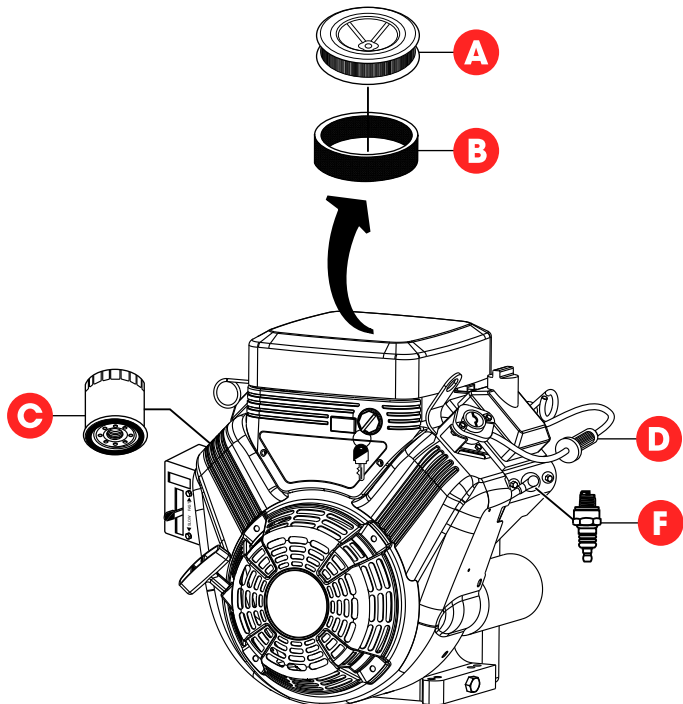
- WBH16AWDF

Kit Includes

All scheduled maintenance items needed during the first 500 hours of operation.



Maintenance Item	Part Number	Qty.	Service Schedule
A Air Filter	394018S	1	100 Hours or Six Months
B Pre Air Filter	272490S	1	100 Hours or Six Months
C Oil Filter	842921	1	100 Hours
D Fuel Filter	845125	1	300 Hours or One Year
E Hydraulic Filter	508667	1	200 Hours
F Spark Plug	Q16PRU11	1	300 Hours or One Year



© COPYRIGHT 2024 MULTIQIP, INC. (020524)

Need a Maintenance Kit?

Call our Parts Department at 800-427-1244
or email us at parts@multiquip.com