

MQ WBH16E/EF Maintenance Kit

Part Number: FKITWBH16E/EF

Compatible Models

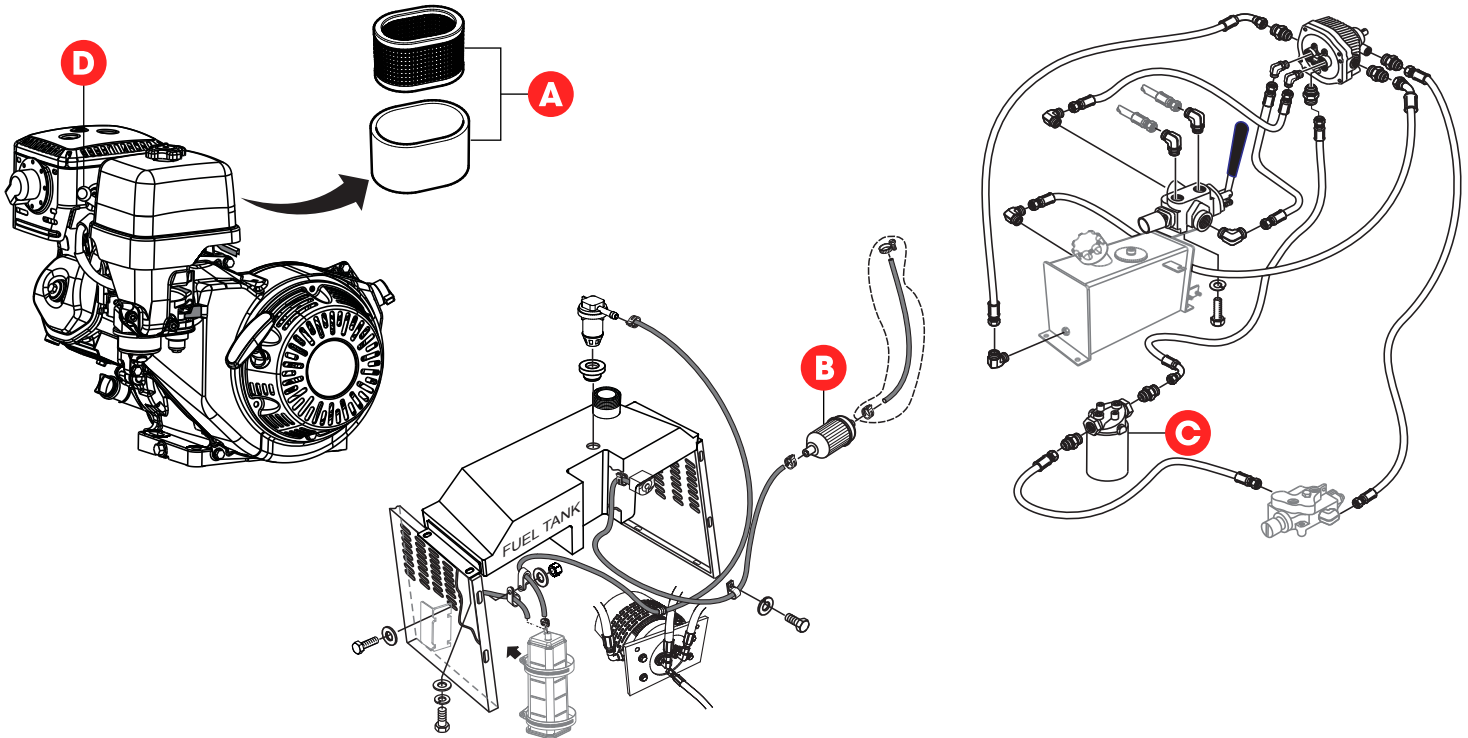
- WBH16E/EF

Kit Includes

All scheduled maintenance items needed during the first 500 hours of operation.



	Maintenance Item	Part Number	Qty.	Service Schedule
A	Air Filter	17210ZE3505	1	500 Hours or Two Years
B	Fuel Filter	EM20763	1	300 Hours or One Year
C	Hydraulic Filter	508667	1	200 Hours
D	Spark Plug	9807955846	1	300 Hours or One Year



© COPYRIGHT 2024 MULTIQUIP INC. (020524)

Need a Maintenance Kit?

Call our Parts Department at 800-427-1244
or email us at parts@multiquip.com