

MQ WTB16 Maintenance Kit

Part Number: FKITWTB16

Compatible Models

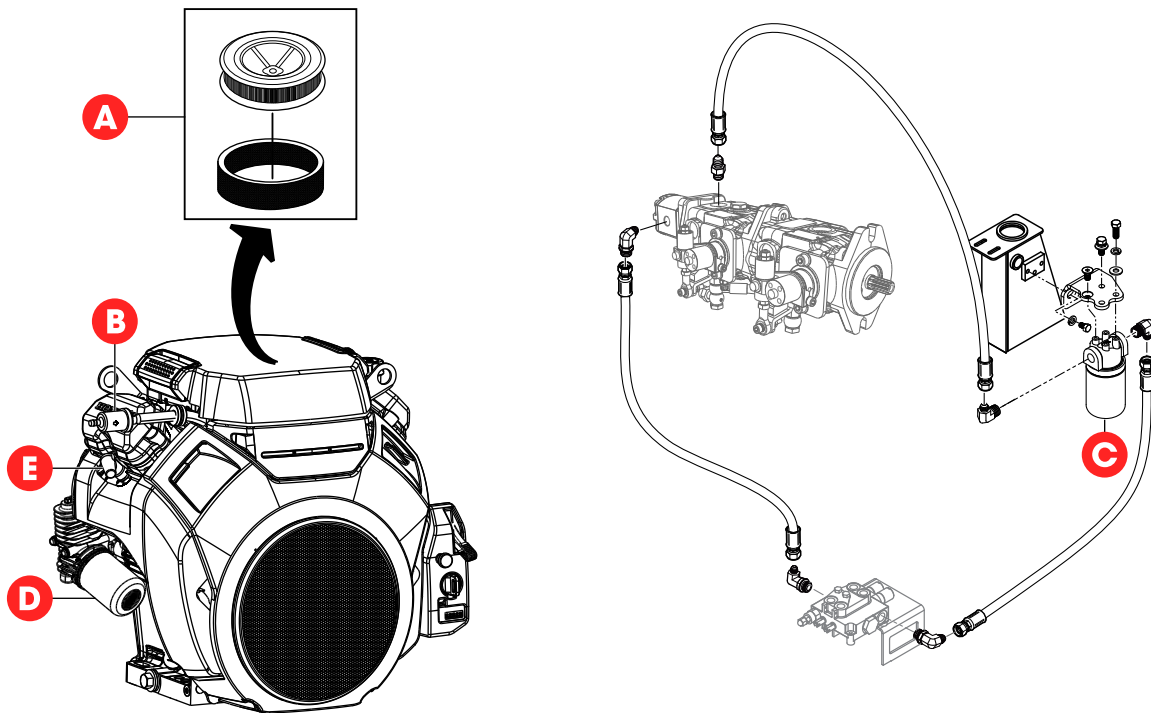
- WTB16

Kit Includes

All scheduled maintenance items needed during the first 500 hours of operation.



	Maintenance Item	Part Number	Qty.	Service Schedule
A	Air Filter	17210Z6L010	1	500 Hours or Two Years
B	Fuel Filter	16910Z6L003	1	300 Hours or One Year
C	Hydraulic Filter	807605	1	200 Hours
D	Oil Filter	15400RTA003	1	200 Hours
E	Spark Plug	980795587GA	1	300 Hours or One Year



© COPYRIGHT 2024 MULTIQUIP, INC. (020524)

Need a Maintenance Kit?

Call our Parts Department at 800-427-1244
or email us at parts@multiquip.com