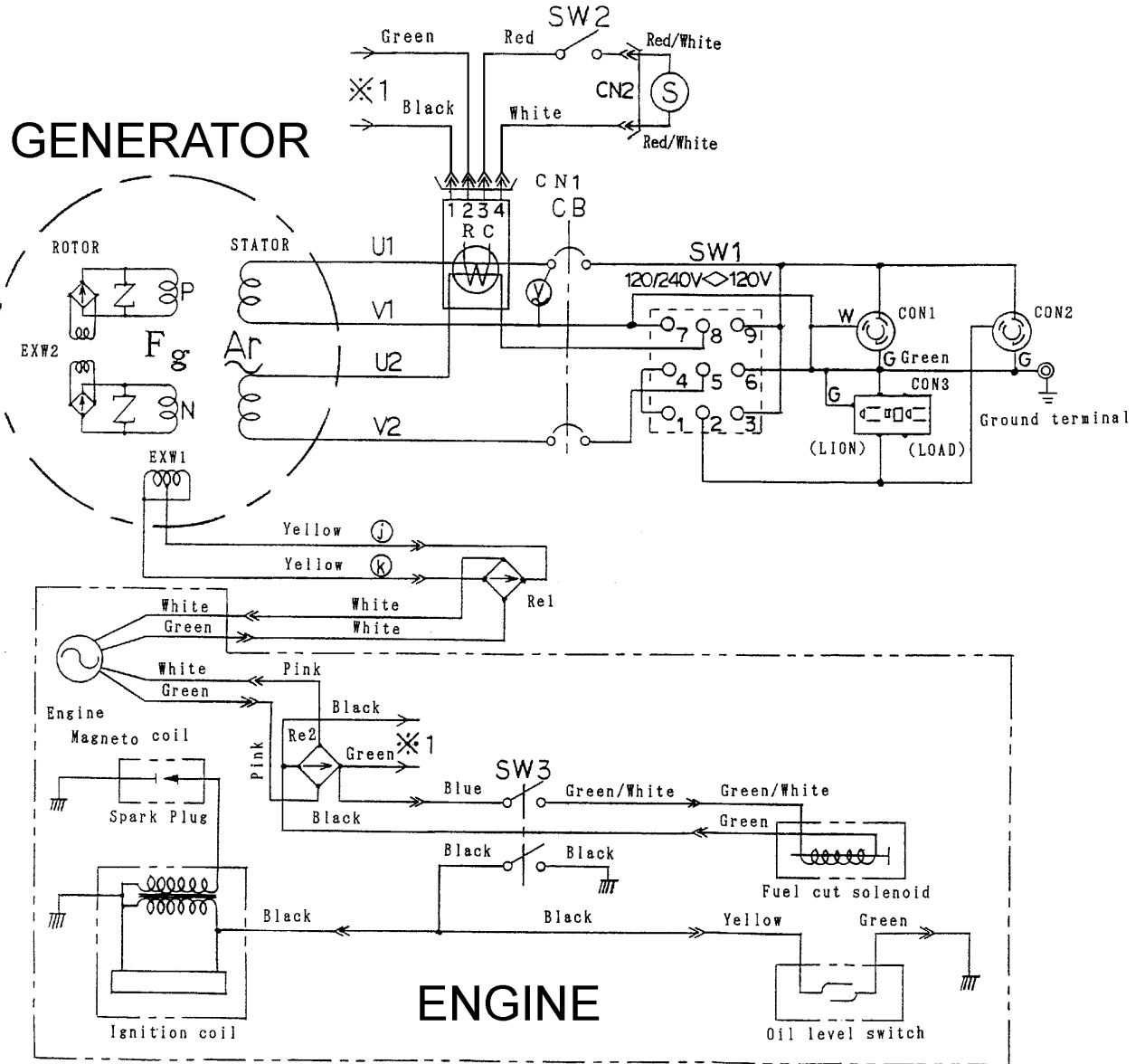


GA-3.6HZ Series — WIRING DIAGRAM

GA-3.6HZ WIRING DIAGRAM



COLOR CODE	
WIRE COLOR	WIRE COLOR
B BLACK	R RED
L BLUE	W WHITE
BR BROWN	Y YELLOW
G GREEN	LB LIGHT BLUE
GR GRAY	LG LIGHT GREEN
V VIOLET	O ORANGE
P PINK	



CONNECTOR ARRANGEMENT
(VIEW AT WINDING SIDE)

SYMBOL	DESIGNATION
Ar	ARMATURE WINDING
Fg	FIELD WINDING
Ex W1	EXCITATION WINDING
Ex W2	EXCITATION WINDING
V	AC VOLTMETER 120/240V
RE 1, 2	RECTIFIER
CB	CIRCUIT BREAKER 25A @ 240, 50A @ 120
CON 1	RECEPTACLE L5-30R 30A, 125V
CON 2	RECEPTACLE L6-20R 20A, 250V
CON 3	RECEPTACLE 5-20R GFCI 20A, 125V
SW1	FULL POWER SWITCH
SW2	IDLE CONTROL SWITCH
SW3	OPERATION SWITCH
RC	IDLE CONTROL DEVICE
S	IDLE CONTROL SOLENOID

Generator Wiring Diagram (GA-3.6HZ)