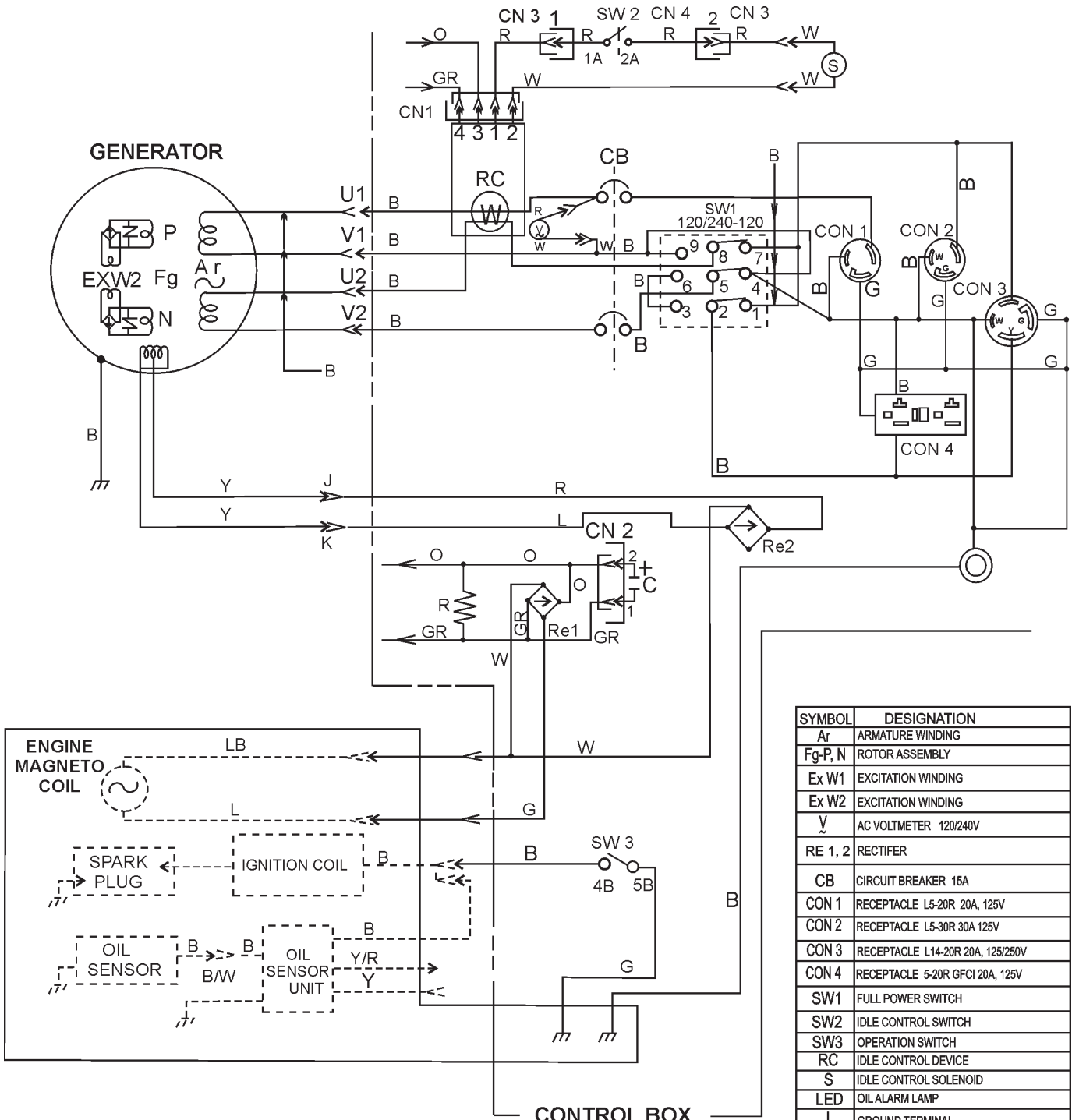
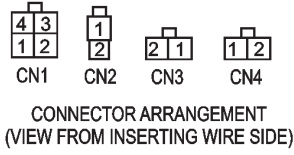


GA-4.5R — WIRING DIAGRAM



SYMBOL	DESIGNATION
Ar	ARMATURE WINDING
Fg-P, N	ROTOR ASSEMBLY
Ex W1	EXCITATION WINDING
Ex W2	EXCITATION WINDING
V	AC VOLTMETER 120/240V
RE 1, 2	RECTIFIER
CB	CIRCUIT BREAKER 15A
CON 1	RECEPTACLE L5-20R 20A, 125V
CON 2	RECEPTACLE L5-30R 30A 125V
CON 3	RECEPTACLE L14-20R 20A, 125/250V
CON 4	RECEPTACLE 5-20R GFCI 20A, 125V
SW1	FULL POWER SWITCH
SW2	IDLE CONTROL SWITCH
SW3	OPERATION SWITCH
RC	IDLE CONTROL DEVICE
S	IDLE CONTROL SOLENOID
LED	OIL ALARM LAMP
⊥	GROUND TERMINAL
C	CAPACITOR
R	RESISTOR
C	CAPACITOR

COLOR CODE	
WIRE COLOR	WIRE COLOR
B	BLACK
L	BLUE
BR	BROWN
G	GREEN
GR	GRAY
V	VIOLET
P	PINK
R	RED
W	WHITE
Y	YELLOW
LB	LIGHT BLUE
LG	LIGHT GREEN
O	ORANGE



Generator/Engine Wiring Diagram
(GA-4.5R)