



GA-6HZR Generator

Receptacle Modification Instructions

Replaces 3-prong receptacle (P/N 0601811032)
with 4-prong receptacle (P/N 0601814010)

Purpose

This modification procedure is intended only for those customers who prefer a 4-prong receptacle in place of the OEM 3-prong receptacle.

Unless you have this requirement no changes should be made to the generator.

Parts

NO.	P/N	PART NAME	QTY.
1	0601814010	Receptacle L14-20R 125/250, 20A	1
2	N/A	#10 AWG Wire (White)	8 in.
3	N/A	#10-8 Terminal Lug	2

Tools

- Ratchet set with 8 mm socket
- Crimping Tool
- Screw Driver, Flat Blade

Procedure

- Set the portable generator on a suitable workbench where it will not slide or move around.
- Make sure the generator is off and that no electrical devices are connected to it.
- Remove the the four bolts (Figure 1) that secure the control box panel, then pull the control box panel downward very slowly, being careful not to disturb any electrical connections.
- Remove the 2 screws that hold the existing L6-20R receptacle in place. Remove all the wires connected to this receptacle. Mark the wires if necessary, they will be connected to the same terminals on the new receptacle (L14-20R).
- Install the new L14-20R receptacle in place of the old L6-20R receptacle.
- Connect the wires from the old receptacle to the new receptacle using the wiring diagram on the last page of this modification procedure. Torque all receptacle terminals to approximately 10-14 in.-lbs.

Please read the entire modification instructions before removing the receptacle from the generator. Modification and wiring diagrams are provided within the instruction sheet for you reference. ONLY have qualified service personnel perform this modification.

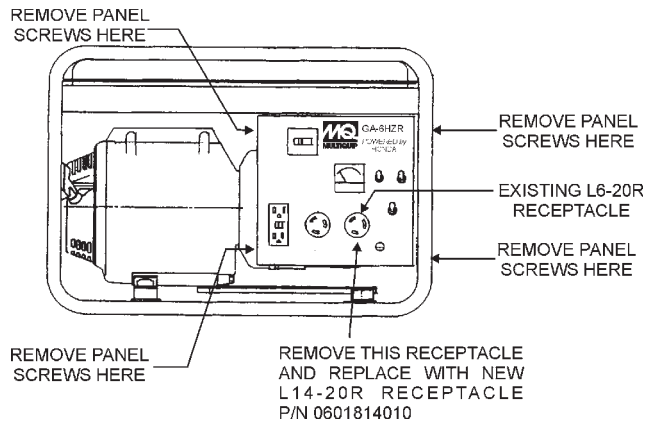


Figure 1. GA-6HZR Generator

- Connect a #10 AWG WHITE wire (NEUTRAL) from terminal X of the adjacent L5-30R receptacle to terminal W on the new L14-20R receptacle. Use Figures 2 and 3 to aid you in adding this wire.
- Place the control box panel back onto the generator and reinstall the four bolts (Figure 1) that secure the control box panel.

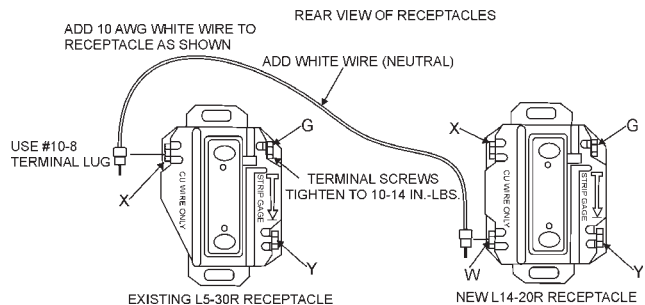
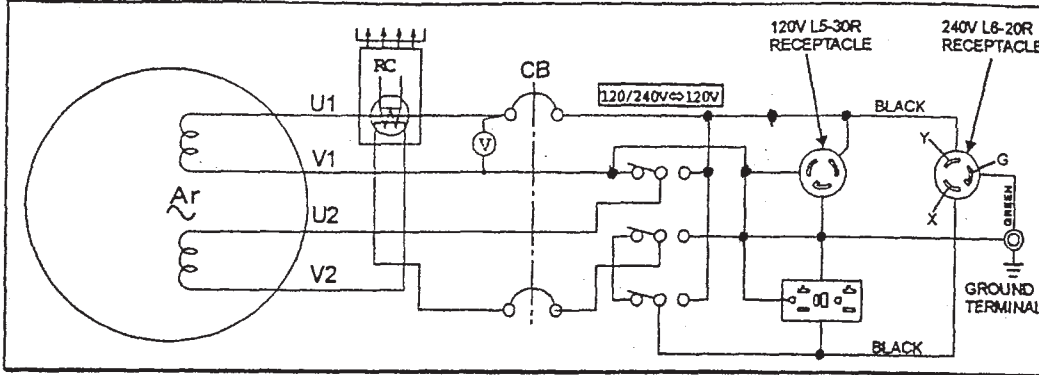


Figure 2. Receptacles Rear View Wiring

BEFORE CHANGE

Original Wiring (L6-20R)



AFTER CHANGE

Modified Wiring (L14-30R)

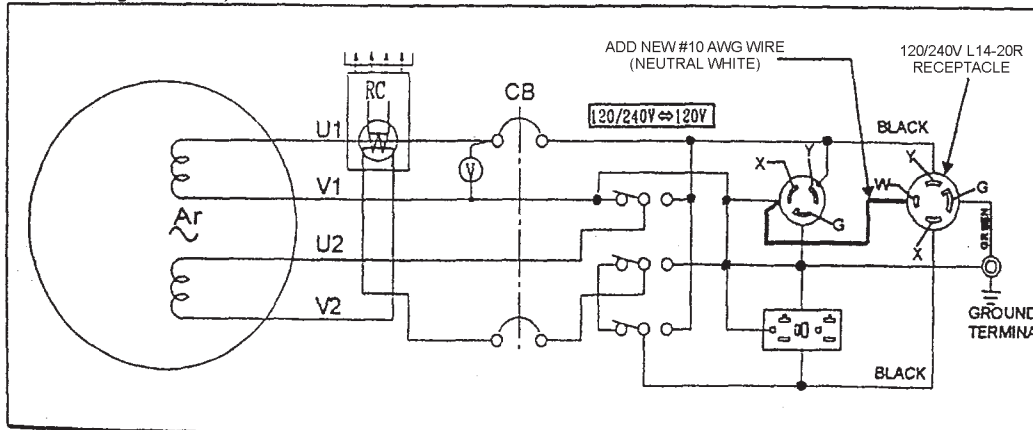


Figure 3. GA-6HZR Wiring Diagram