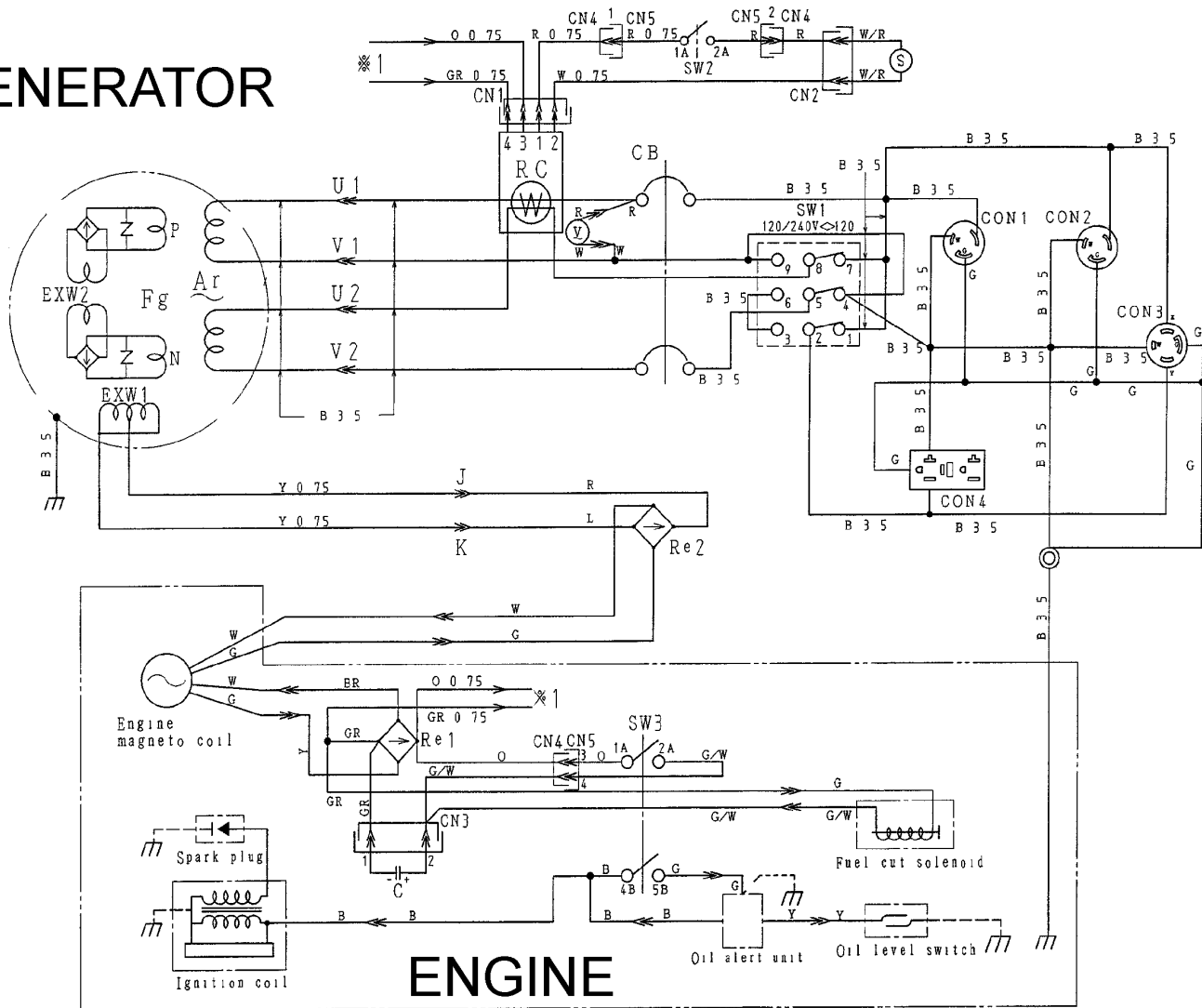


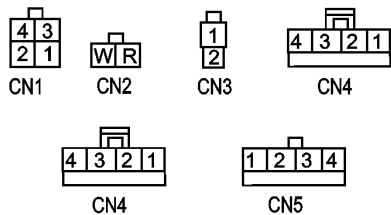
# GA-6RE — WIRING DIAGRAM (GENERATOR)

## GENERATOR



## ENGINE

COLOR CODE			
	WIRE COLOR		WIRE COLOR
B	BLACK	R	RED
L	BLUE	W	WHITE
BR	BROWN	Y	YELLOW
G	GREEN	LB	LIGHT BLUE
GR	GRAY	LG	LIGHT GREEN
V	VIOLET	O	ORANGE
P	PINK		



CONNECTOR ARRANGEMENT  
(VIEW FROM INSERTING WIRE SIDE)

SYMBOL	DESIGNATION
Ar	ARMATURE WINDING
Fg-P, N	ROTOR ASSEMBLY
Ex W1	EXCITATION WINDING
Ex W2	EXCITATION WINDING
V	AC VOLTMETER 120/240V
RE 1, 2	RECTIFIER
CB	CIRCUIT BREAKER 25A @ 240, 37.5A @ 120
CON 1	RECEPTACLE L5-20R 20A, 125V
CON 2	RECEPTACLE L5-30R 30A 125V
CON 3	RECEPTACLE L14-30R 30A, 125/250V
CON 4	RECEPTACLE 520R GFCI 20A, 125V
SW1	FULL POWER SWITCH
SW2	IDLE CONTROL SWITCH
SW3	OPERATION SWITCH
RC	IDLE CONTROL DEVICE
S	IDLE CONTROL SOLENOID
C	CAPACITOR