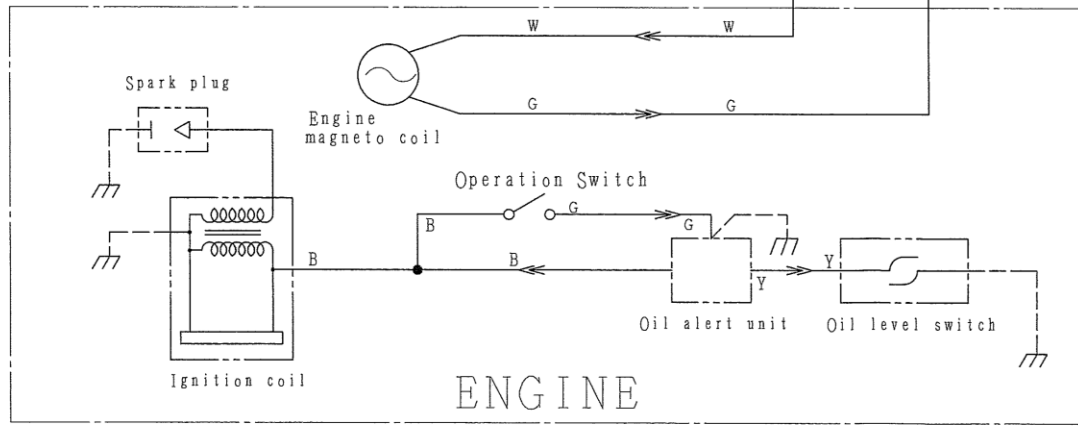
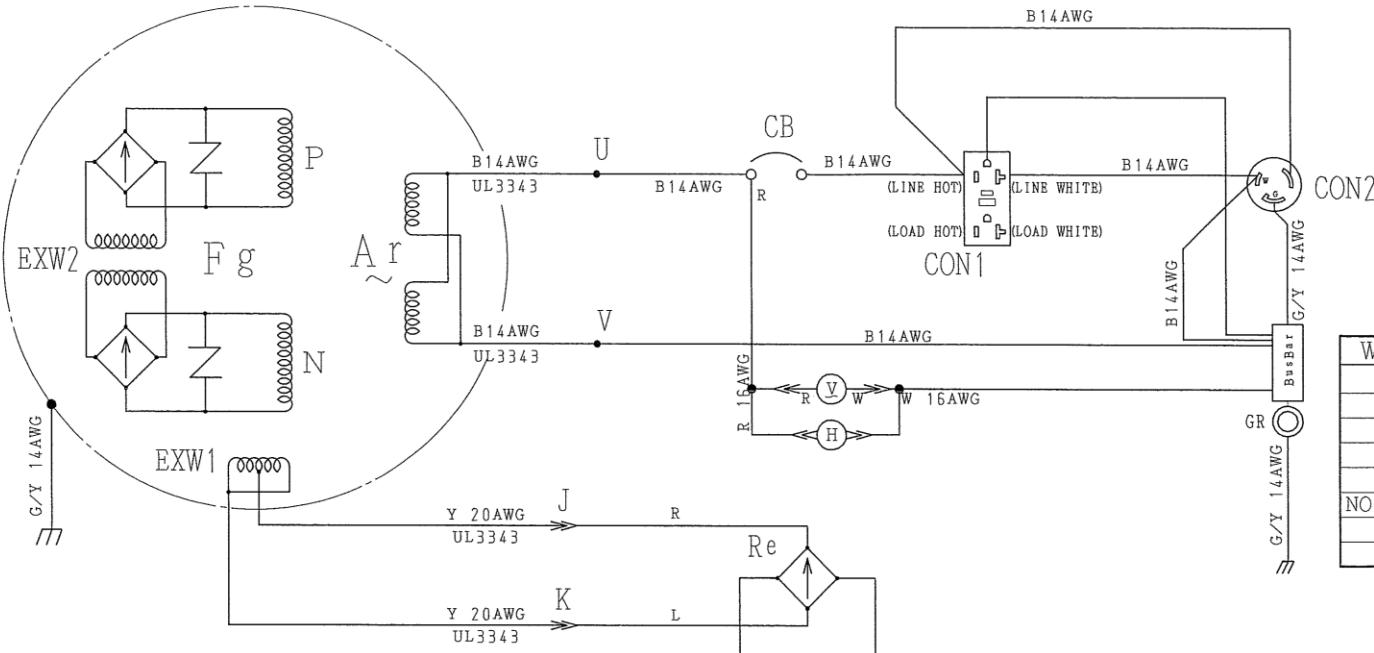


GENERATOR

SYMBOL	PARTS NAME
Ar	Armature Winding
Fg-P, N	Field Winding
EXW1	Excitation Winding
EXW2	Excitation Winding
V	AC Voltmeter 120/240V
Re	Rectifier
CB	Circuit Breaker 20A
CON1	Receptacle 5-20R GFCI 20A 125V
CON2	Receptacle 15-20R 20A 125V
H	Hour Meter
GR	Ground Terminal

Wire Size	WIRE COLOR CODE			
	SYM	COLOR	SYM	COLOR
	B	BLACK	R	RED
	L	BLUE	W	WHITE
	BR	BROWN	Y	YELLOW
	G	GREEN	LB	LIGHT BLUE
NO MARK: 1.25mm ²	GR	GRAY	LG	LIGHT GREEN
	V	VIOLET	O	ORANGE
	P	PINK		



ENGINE

GAC-2.5HR
CANADA - WIRING DIAGRAM