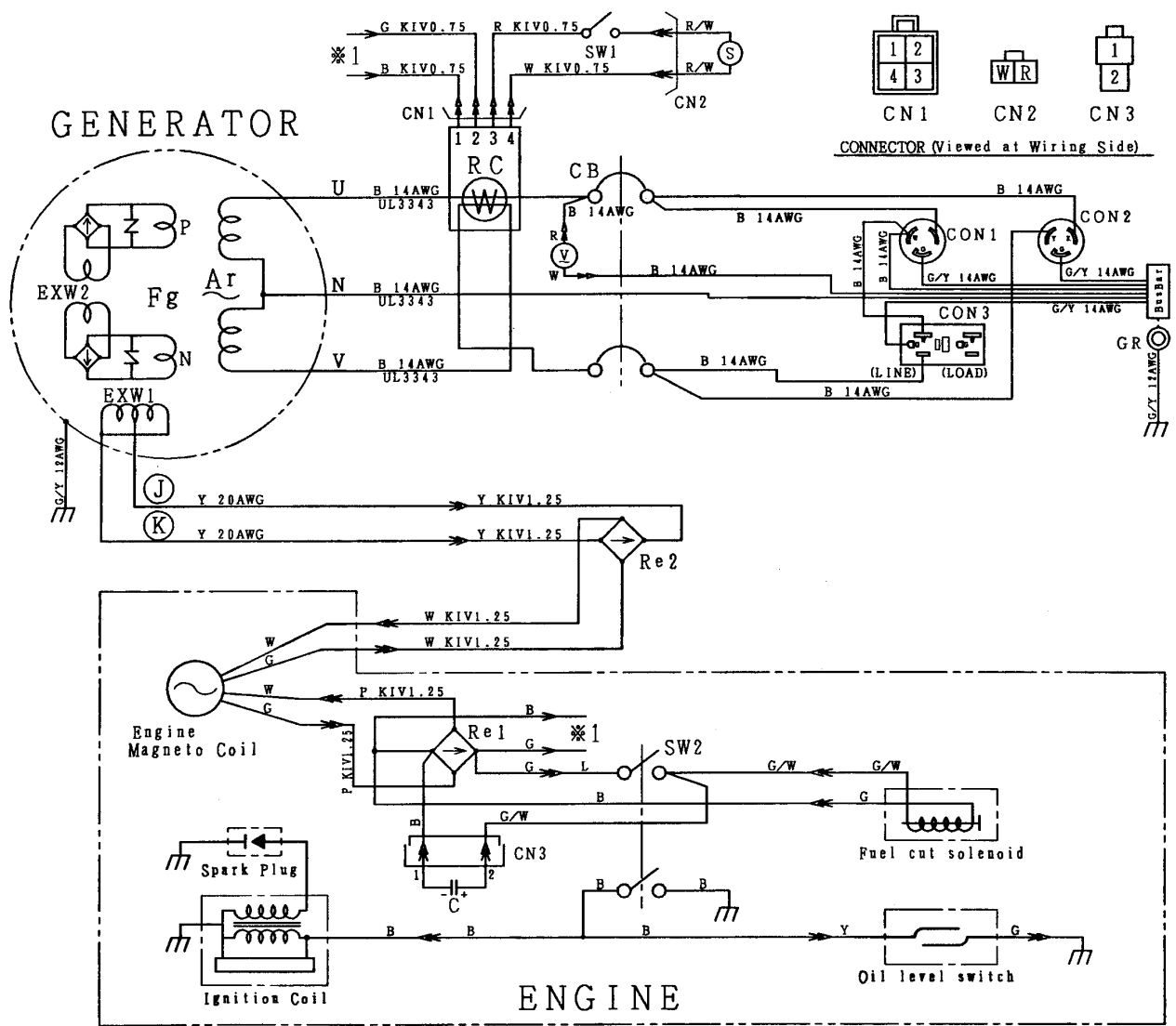


# GENERATOR WIRING DIAGRAM



SYMBOL	PART NAME
Ar	Armature Winding
Fg-PN	Field Winding
EXW1-2	Excitation Winding
V	AC Voltmeter (120/240)
Re1-2	Rectifier
CON1	Receptacle L5-30R
CON2	Receptacle L6-20R
CON3	Receptacle 5-15R
CB	UPM-2 20A
CB1	CP-31E/15N 15A
SW1	Idle Control Switch
SW2	Operation Switch
RC	Idle Control Device
S	Idle Control Solenoid
GR	Ground Terminal T-3830
C	Capacitor 50V @ 1000µf

Wiring Color Code			
Symbol	Color	Symbol	Color
B	BLACK	R	RED
L	BLUE	W	WHITE
BR	BROWN	Y	YELLOW
G	GREEN	LB	LIGHT BLUE
GR	GRAY	LG	LIGHT GREEN
V	VIOLET	O	ORANGE
P	PINK		

Figure 26. Generator Wiring Diagram