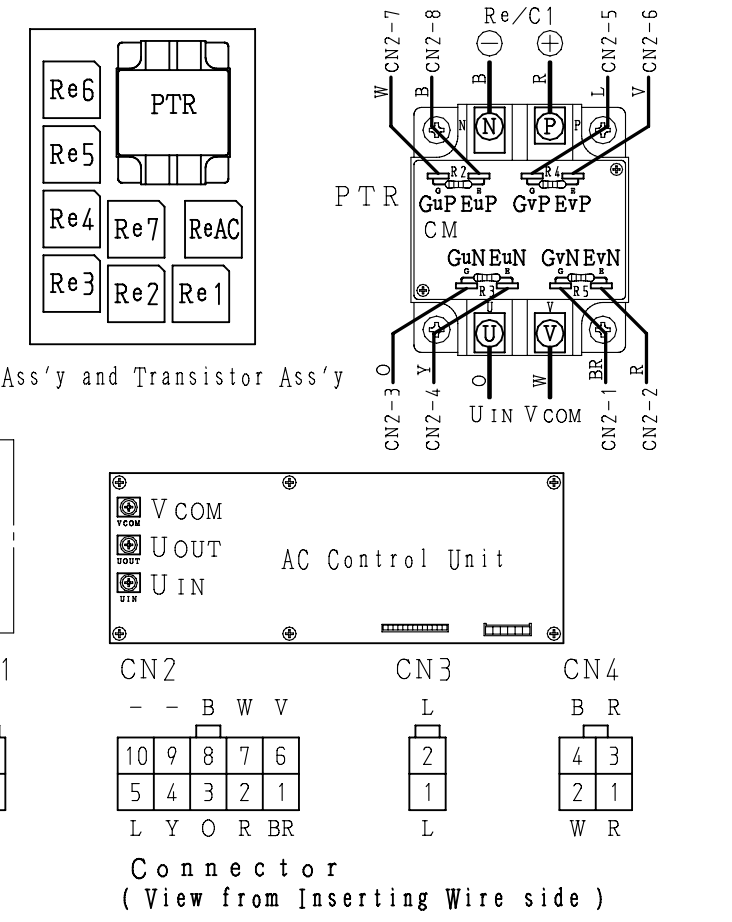
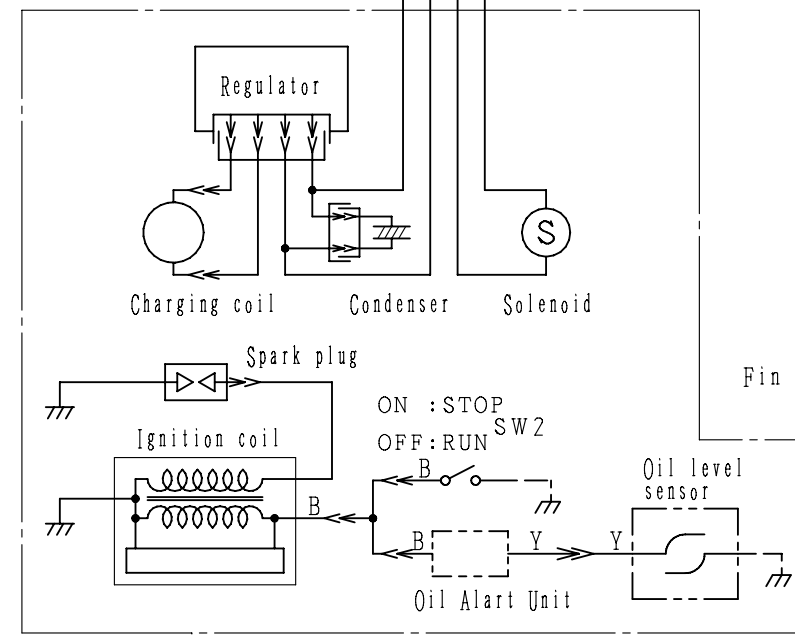


SYMBOL	PARTS NAME
Ar	Armature Ass'y
Rotor	Rotor Ass'y
ReAC	Rectifier
C1	Condenser
PTR	Transistor
UNIT	AC Control Unit
CB	Circuit Breaker
CON	Receptacle
C2	Surge Filter
Re1~7	Rectifier
RS	Current Selector
⊕ ⊖	Welding Output Terminal
R1	Resistor
R2~5	Resistor
R6	Resistor
RC	Idle Control Unit
SW1	Idle Control Switch
SW2	Operation Switch



# GAW-135H WIRING DIAGRAM