

PARTS MANUAL



MODEL GAW180HE/HE1/HEA PORTABLE WELDER-GENERATOR (HONDA GX340K1EDE2/GX340RT2EDE2 GASOLINE ENGINES)

Revision #2 (03/28/24)

To find the latest revision of this publication or associated operation manual, visit our website at: www.multiquip.com



THIS MANUAL MUST ACCOMPANY THE EQUIPMENT AT ALL TIMES.

TABLE OF CONTENTS

GAW180HE Series 60 Hz Welder-Generator

Explanation Of Code In Remarks Column..... 4
Suggested Spare Parts 5

Component Drawings

Nameplate And Decals Assembly..... 6-7
Generator Assembly 8-9
Control Box Assembly 10-13
Pipe Frame Assembly..... 14-17
Battery Assembly 18-19
Muffler Assembly 20-21
UWKB Wheel Kit Assembly (Option) 22-23
Engine Service Parts 24-25

NOTICE
Specifications and part numbers are subject to change without notice.

EXPLANATION OF CODE IN REMARKS COLUMN

The following section explains the different symbols and remarks used in the Parts section of this manual. Use the help numbers found on the back page of the manual if there are any questions.

NOTICE

The contents and part numbers listed in the parts section are subject to change without notice. Multiquip does not guarantee the availability of the parts listed.

SAMPLE PARTS LIST

NO.	PART NO.	PART NAME	QTY.	REMARKS
1	12345	BOLT	1	INCLUDES ITEMS W/%
2%		WASHER, 1/4 IN.		NOT SOLD SEPARATELY
2%	12347	WASHER, 3/8 IN. ...	1	MQ-45T ONLY
3	12348	HOSE	A/R	MAKE LOCALLY
4	12349	BEARING	1	S/N 2345B AND ABOVE

NO. Column

Unique Symbols — All items with same unique symbol (@, #, +, %, or >) in the number column belong to the same assembly or kit, which is indicated by a note in the “Remarks” column.

Duplicate Item Numbers — Duplicate numbers indicate multiple part numbers, which are in effect for the same general item, such as different size saw blade guards in use or a part that has been updated on newer versions of the same machine.

NOTICE

When ordering a part that has more than one item number listed, check the remarks column for help in determining the proper part to order.

PART NO. Column

Numbers Used — Part numbers can be indicated by a number, a blank entry, or TBD.

TBD (To Be Determined) is generally used to show a part that has not been assigned a formal part number at the time of publication.

A blank entry generally indicates that the item is not sold separately or is not sold by Multiquip. Other entries will be clarified in the “Remarks” Column.

QTY. Column

Numbers Used — Item quantity can be indicated by a number, a blank entry, or A/R.

A/R (As Required) is generally used for hoses or other parts that are sold in bulk and cut to length.

A blank entry generally indicates that the item is not sold separately. Other entries will be clarified in the “Remarks” Column.

REMARKS Column

Some of the most common notes found in the “Remarks” Column are listed below. Other additional notes needed to describe the item can also be shown.

Assembly/Kit — All items on the parts list with the same unique symbol will be included when this item is purchased.

Indicated by:

“INCLUDES ITEMS W/(unique symbol)”

Serial Number Break — Used to list an effective serial number range where a particular part is used.

Indicated by:

“S/N XXXXX AND BELOW”

“S/N XXXX AND ABOVE”

“S/N XXXX TO S/N XXX”

Specific Model Number Use — Indicates that the part is used only with the specific model number or model number variant listed. It can also be used to show a part is NOT used on a specific model or model number variant.

Indicated by:

“XXXXX ONLY”

“NOT USED ON XXXX”

“Make/Obtain Locally” — Indicates that the part can be purchased at any hardware shop or made out of available items. Examples include battery cables, shims, and certain washers and nuts.

“Not Sold Separately” — Indicates that an item cannot be purchased as a separate item and is either part of an assembly/kit that can be purchased, or is not available for sale through Multiquip.

SUGGESTED SPARE PARTS

GAW180HE/HE1/HEA PORTABLE 60 HZ WELDER GENERATORS

1 to 3 units

Qty.	P/N	Description
1♦	D1364000003	CAP FUEL TANK
1◇	D1364000803	CAP FUEL TANK S/N 5629880 AND BELOW
1◇	D1361000004	CAP FUEL TANK S/N 5629881 AND ABOVE
1♣	D1361000004	CAP FUEL TANK
2	1665115504	RUBBER SUSPENSION
2♦◇	1665419004	RUBBER SUSPENSION
2♣	A9312601104	RUBBER SUSPENSION
3	16952ZB4005	FUEL STRAINER
1	0605505130	FILTER FUEL
3	0601823208	RECTIFIER
3	0601823218	RECTIFIER
3	0601821104	THYRISTOR
3	0601802137	FUSE, 10 AMP

NOTICE

Part numbers on this Suggested Spare Parts list may supersede/replace the part numbers shown in the following parts lists.

NOTICE

- ♦ GAW180HE
- ◇ GAW180HE1
- ♣ GAW180HEA

HONDA GX340K1EDE2/GX340RT2EDE2 GASOLINE ENGINES

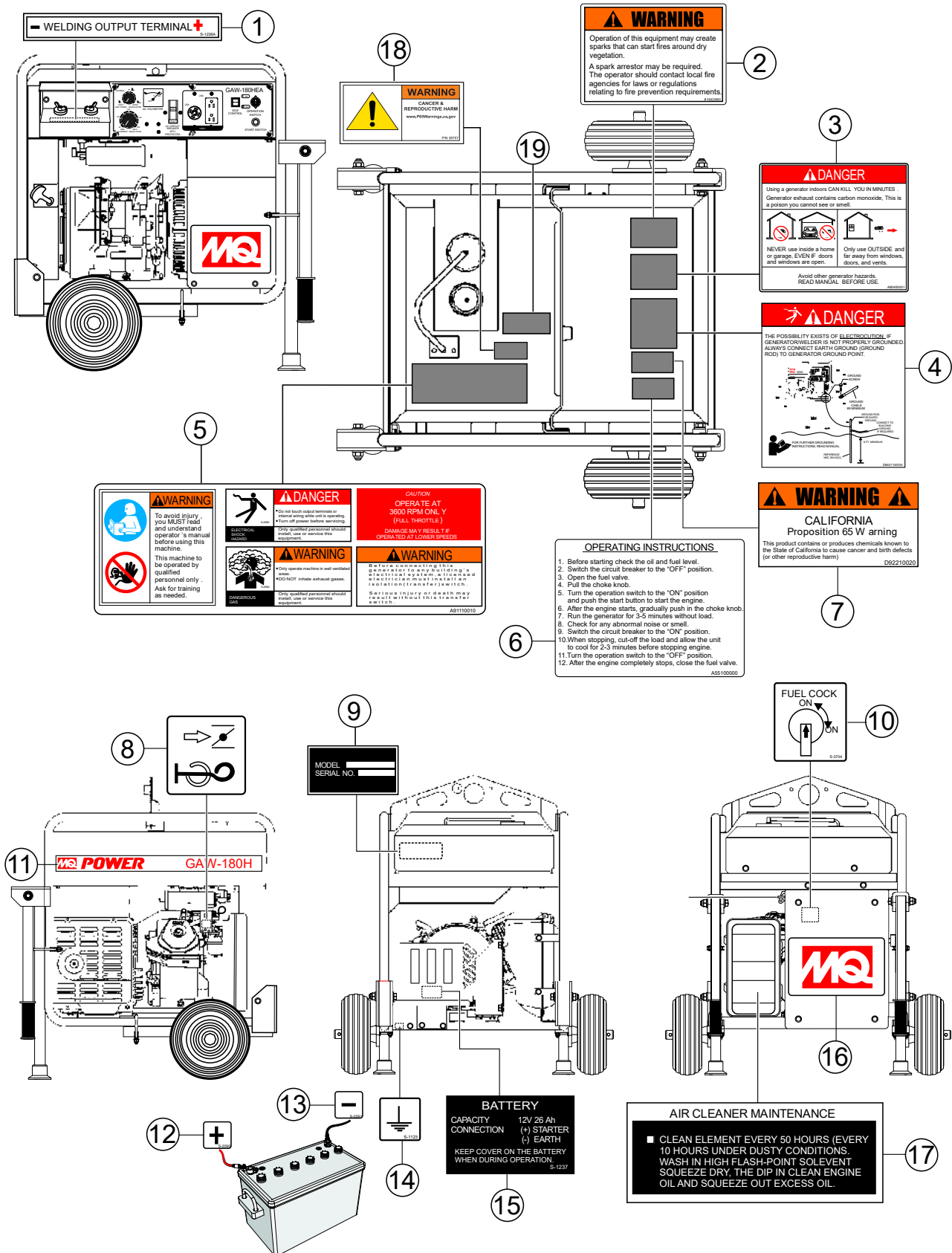
1 to 3 units

Qty.	P/N	Description
3	9807955846	SPARK PLUG
1♦	15510ZE2053	SWITCH ASSY., OIL LEVEL
1◇	35480ZF6003	SENSOR, OIL LEVEL
2	28462ZV7003	ROPE, RECOIL
2♦	28461ZE2W02	GRIP, STARTER
2◇	28461Z5T003	GRIP, STARTER
3	17211899000	ELEMENT, AIR CLEANER

NOTICE

- ♦ GX340K1EDE2
- ◇ GX340RT2EDE2

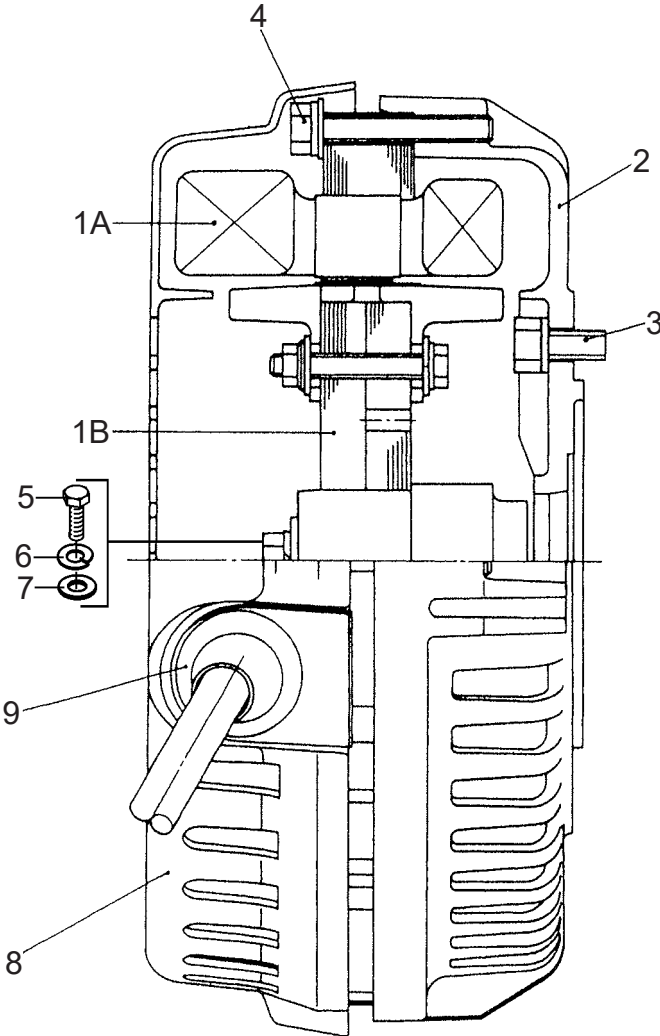
NAMEPLATE AND DECALS ASSY.



NAMEPLATE AND DECALS ASSY.

<u>NO.</u>	<u>PART NO.</u>	<u>PART NAME</u>	<u>QTY.</u>	<u>REMARKS</u>
1	0800690804	DECAL; WELDING OUTPUT TERMINAL	1.....	S-1238A REPLACES P/N W0800690804
2	920214100	DECAL; WARNING START FIRES	1.....	M90420000 REPLACES P/N M9504200004
3	A9504000014	DECAL; WARNING DANGEROUS GAS	1.....	A90400001
4	D9531100104	DECAL; DANGER ELECTROCUTION.....	1.....	D93110010
5	A9511100103	DECAL; WARNING.....	1.....	A91110010 S/N 5749231 AND BELOW
5	A9511100113	DECAL; WARNING.....	1.....	A91110011 S/N 5749232 AND ABOVE
6	A5551000004	DECAL; OPERATING INSTRUCTIONS	1.....	A55100000
7	DCL160	DECAL; WARNING	1.....	D92210020 REPLACES P/N D9522100204 S/N 5821570 AND BELOW
8	87528898620	DECAL; CHOKE	1.....	REPLACES P/N 0600500047
9		DECAL; NAMEPLATE	1.....	CONTACT MQ PARTS DEPT.
10	W1980680004	DECAL; FUEL COCK	1.....	S-3704
11	D1561001703	DECAL; MQ MULTIQUIP GAW180H	1	
12	0800689404	DECAL; +	1.....	S-2090 REPLACES P/N W0800689404
13	0800689504	DECAL; -	1.....	S-2091 REPLACES P/N W0800689504
14	0800628504	DECAL; GROUND	1.....	S-1123 REPLACES P/N W0800628504
15	0800696804	DECAL; BATTERY	1.....	S-1237 REPLACES P/N W0800696604
16	D1561001803	DECAL; MQ LOGO	1	
17	87533ZC0630	DECAL; AIR CLEANER	1.....	REPLACES P/N 0600500045
18	A9511101304	DECAL; WARNING PROPOSITION 65.....	1.....	A91110130 S/N 5821571 AND ABOVE
19	A9511101504	DECAL; CAUTION.....	1.....	A91110150 S/N 5846327 AND ABOVE

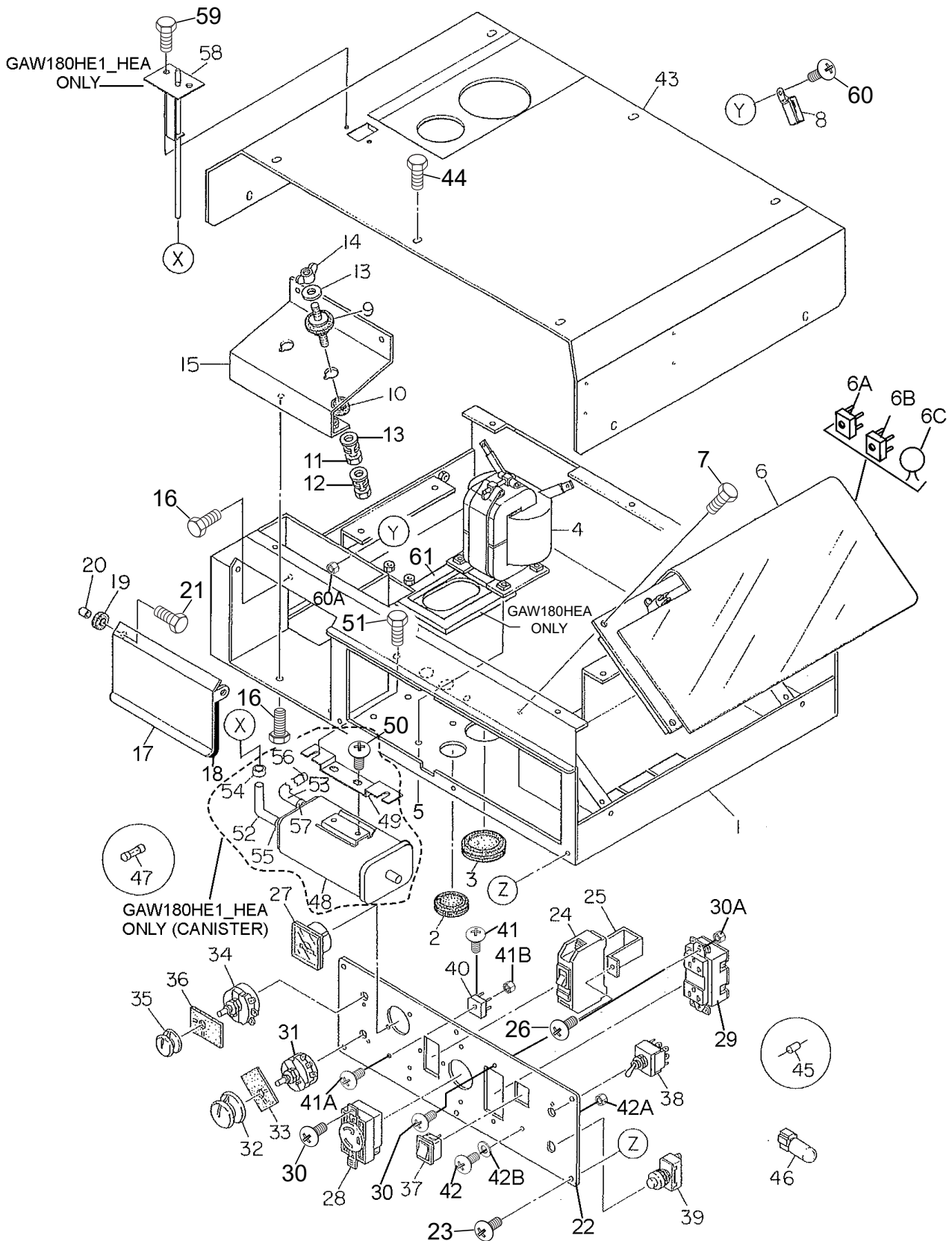
GENERATOR ASSY.



GENERATOR ASSY.

<u>NO.</u>	<u>PART NO.</u>	<u>PART NAME</u>	<u>QTY.</u>	<u>REMARKS</u>
1A	D1135000002	ARMATURE ASSY.	1	
1B	D1110200603	ROTOR ASSY.	1	
2	D1155100802	END BRACKET	1	
3	0012808020	HEX. HEAD BOLT	4	
4	0012308055	HEX. HEAD BOLT	4	
5	0010710060	HEX. HEAD BOLT	1	
6	0040010000	WASHER, LOCK	1	
7	0801086104	WASHER	1	
8	D1153400212B	COVER	1	REPLACES P/N D1153400212
9	D1153300114	GROMMET	2	

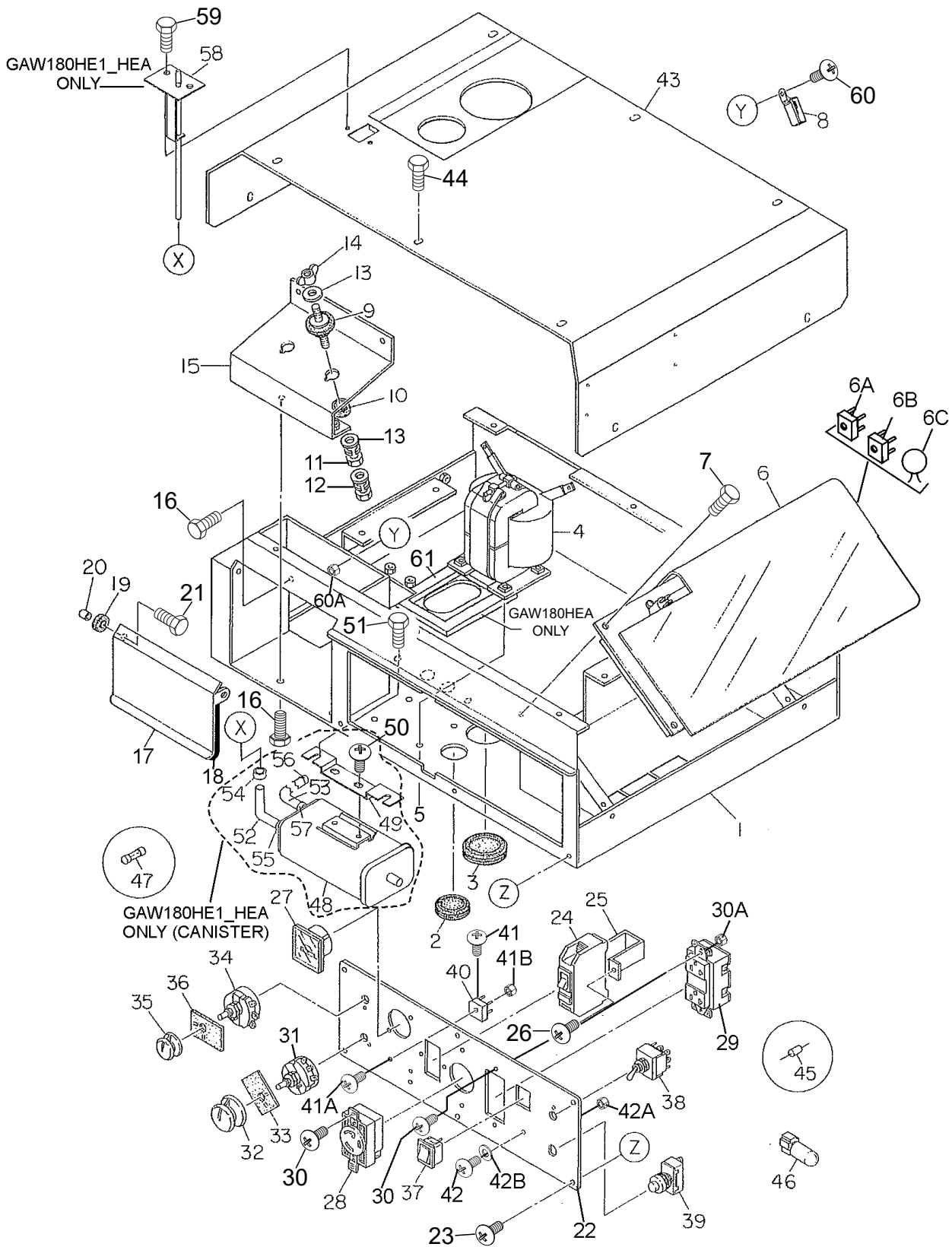
CONTROL BOX ASSY.



CONTROL BOX ASSY.

<u>NO.</u>	<u>PART NO.</u>	<u>PART NAME</u>	<u>QTY.</u>	<u>REMARKS</u>
1	D1214000002	CONTROL BOX, (GAW180HE)	1	
1	D1214000102	CONTROL BOX, (GAW180HE1)	1	
1	D1214000202	CONTROL BOX, (GAW180HEA)	1	
2	0601850268	GROMMET	1	
3	0601851769	GROMMET	1	
4	1971885003	DC REACTOR	1	
5	011106016	HEX. HEAD BOLT KIT, (GAW180HE)	4	
5	0017106016	HEX. HEAD BOLT KIT, (GAW180HE1)	4	
5	011106015	HEX. HEAD BOLT, (GAW180HEA).....	4.....	REPLACES P/N 0017106015
6	D9924800034	CONTROL UNIT	1	
6A	0601823208	RECTIFIER	1	
6B	0601823218	RECTIFIER	1	
6C	0601821104	THYRISTOR	1	
7	011106016	HEX. HEAD BOLT KIT, (GAW180HE)	4	
7	0017106016	HEX. HEAD BOLT KIT, (GAW180HE1)	4	
7	011106015	HEX. HEAD BOLT, (GAW180HEA).....	4.....	REPLACES P/N 0017106015
8	0601823707	RELAY	1	
9	D1233000004A	OUTPUT TERMINAL	2.....	REPLACES P/N D1233000004
10	0801880004	INSULATOR WASHER	2	
11	020310080	HEX. NUT	4.....	REPLACES P/N 0039510000
12	0042210000	WASHER, LOCK	4	
13	0041410000	WASHER, FLAT	8	
14	0037810000	WING NUT	2	
15	D1232800004	BRACKET	1	
16	011106015	HEX. HEAD BOLT	4.....	REPLACES P/N 0017106015
17	D1238100504	COVER, OUTPUT TERMINAL	1	
18	D1234400004	RUBBER SHEET	1	
19	0805088004	RUBBER WASHER	1	
20	0805088304	COLLAR	2	
21	011206020	HEX. HEAD BOLT	2.....	REPLACES P/N 0016906020
22	D1352100003	CONTROL PANEL, (GAW180HE)	1.....	D151200102
22	D1511200102	CONTROL PANEL, (GAW180HE1).....	1.....	S/N 5645998 AND BELOW D1352100003
22	D1511200112	CONTROL PANEL, (GAW180HE1).....	1.....	S/N 5645999 AND ABOVE D1352100013
22	D1511200202	CONTROL PANEL, (GAW180HEA).....	1.....	D1352100013
23	0021805012	MACHINE SCREW	6	
24	0601807454	CIRC. BREAKER 120V, 25A 1P (GAW180HE)	1	
24	0601807454	CIRC. BREAKER 120V, 25A 1P (GAW180HE1) ...	1.....	S/N 5645998 AND BELOW
24	0601870453	CIRC BREAKER 120V, 25A 1P (GAW180HE1).....	1.....	S/N 5645999 AND ABOVE
24	0601870453	CIRC. BREAKER 120V, 25A 1P GAW180HEA)	1	
25	3011816004	BRACKET, CIRCUIT BREAKER	1	
26	0021004020	MACHINE SCREW	2	
27	0601806819	AC VOLTMETER 120V/240V	1	
28	0601811031	RECEPTACLE L5-30R	1.....	REPLACES P/N 0601811035

CONTROL BOX ASSY. (CONT'D.)



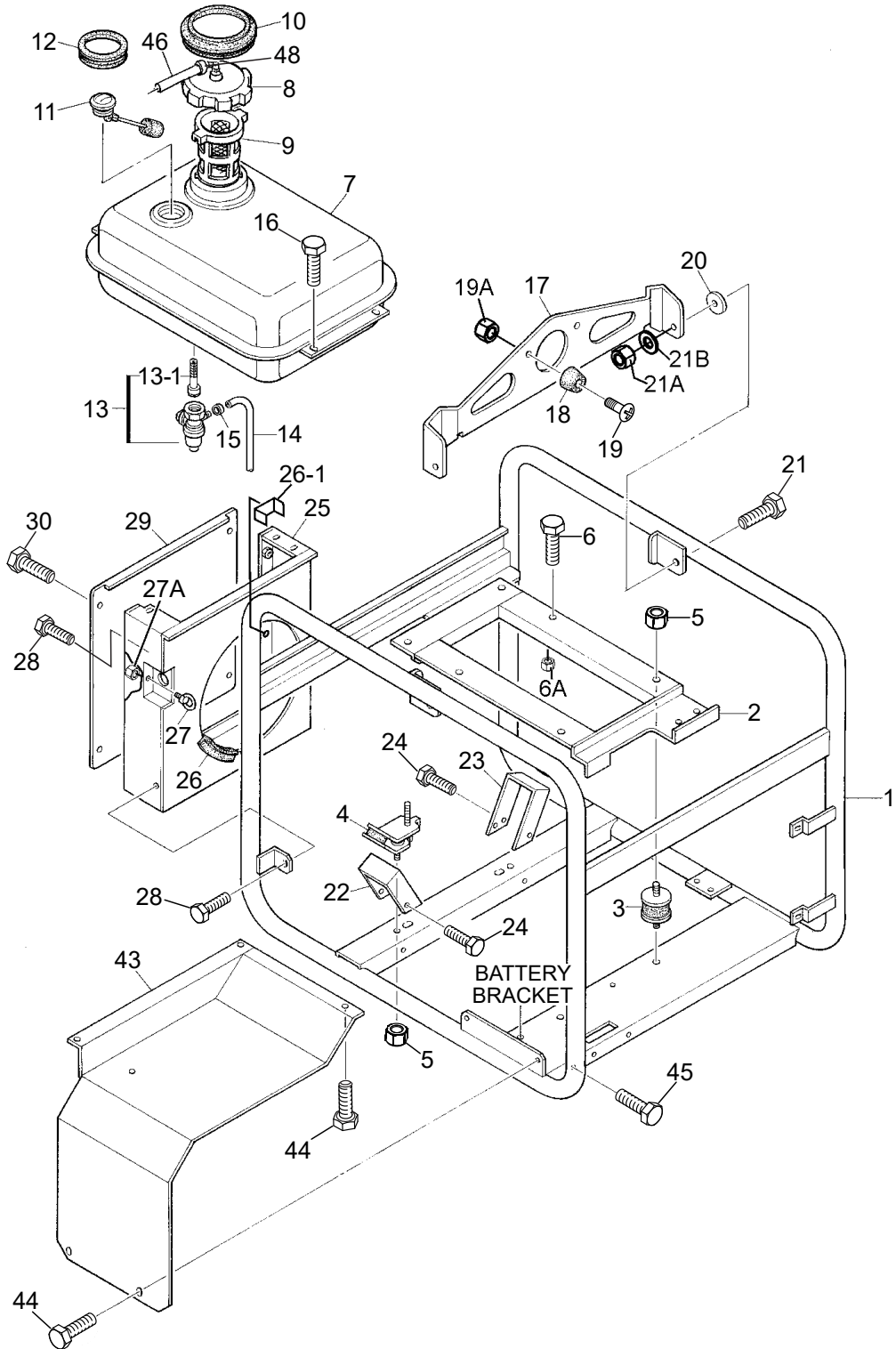
CONTROL BOX ASSY. (CONT'D.)

<u>NO.</u>	<u>PART NO.</u>	<u>PART NAME</u>	<u>QTY.</u>	<u>REMARKS</u>
29	0601812597	RECEPTACLE 5-20R, (GAW180HE)	1	
29	0601812597	RECEPTACLE 5-20R, (GAW180HE1).....	1.....	REPLACES P/N 0601812598 S/N 5609877 AND BELOW
29	0601814013	RECEPTACLE 5-20R, (GAW180HE1).....	1.....	S/N 5609878 AND ABOVE
29	0601814065	RECEPTACLE 5-20R, (GAW180HEA)	1	
30	0021004010	MACHINE SCREW	4	
30A	OEMAA8	HEX. NUT	4.....	REPLACES P/N 0207004000
31	0601840028	RHEOSTAT, CURRENT REGULATOR	1	
32	0601840103	KNOB	1	
33	0801883003	INSULATOR	1	
34	0601840095	RHEOSTAT, ARC FORCE	1	
35	0601840100	KNOB	1	
36	0801883003	INSULATOR	1	
37	0601831620	SWITCH, IDLE CONTROL	1	
38	0601830737	OPERATION SWITCH	1	
39	0602100102	START SWITCH	1	
40	0601823204	RECTIFIER	1	
41	0027103015	MACHINE SCREW	2	
41A	0027103008	MACHINE SCREW	1	
41B	0207003000	HEX. NUT	3	
42	0021004020	MACHINE SCREW	1	
42A	OEMAA8	HEX. NUT	3.....	REPLACES P/N 0207004000
42B	58042	WASHER, FLAT	2.....	REPLACES P/N 0041204000
43	D1214500103	COVER	1	
44	0017106016	HEX. HEAD BOLT KIT, (GAW180HE_HE1)	10	
44	011106015	HEX. HEAD BOLT, (GAW180HEA).....	10.....	REPLACES P/N 0016906015
45	0601826150	CAPACITOR, 250 VAC@ 0.1µF	1	
46	A3262800004	CAPACITOR, 50 VAC @ 1000µF	1	
47	0601802137	FUSE, 10 AMP	1	
48♦	0605507001	CANISTER	1	
49♦	A1261601004	BRACKET	1	
50♦	Y0021806012	MACHINE SCREW	2	
51♦	011106015	HEX. HEAD BOLT	2.....	REPLACES P/N 0016906015
52♦	Y0605513204	HOSE	1	
53♦	Y0605513211	HOSE	1	
54♦	0605515223	HOSE BAND	1	
55♦	0605515224	HOSE BAND	1	
56♦	Y0605515229	HOSE BAND	1	
57♦	0605515170	HOSE BAND	1	
58	A1261500004	SET PLATE, (GAW180HE1_HEA)	1	
59	011106015	HEX. HEAD BOLT, (GAW180HE1_HEA).....	2.....	REPLACES P/N 0016906015
60	0027105016	MACHINE SCREW, PAN HD 5X15"	1	
60A	0030005000	HEX. NUT	1.....	REPLACES P/N 0207005000
61	D1491700604	RUBBER SEAL, (GAW180HEA)	1	

NOTICE

- ♦ CANISTER AND ASSOCIATED MOUNTING
HARDWARE INCLUDED ON GAW180HE1_HEA
MODELS ONLY.

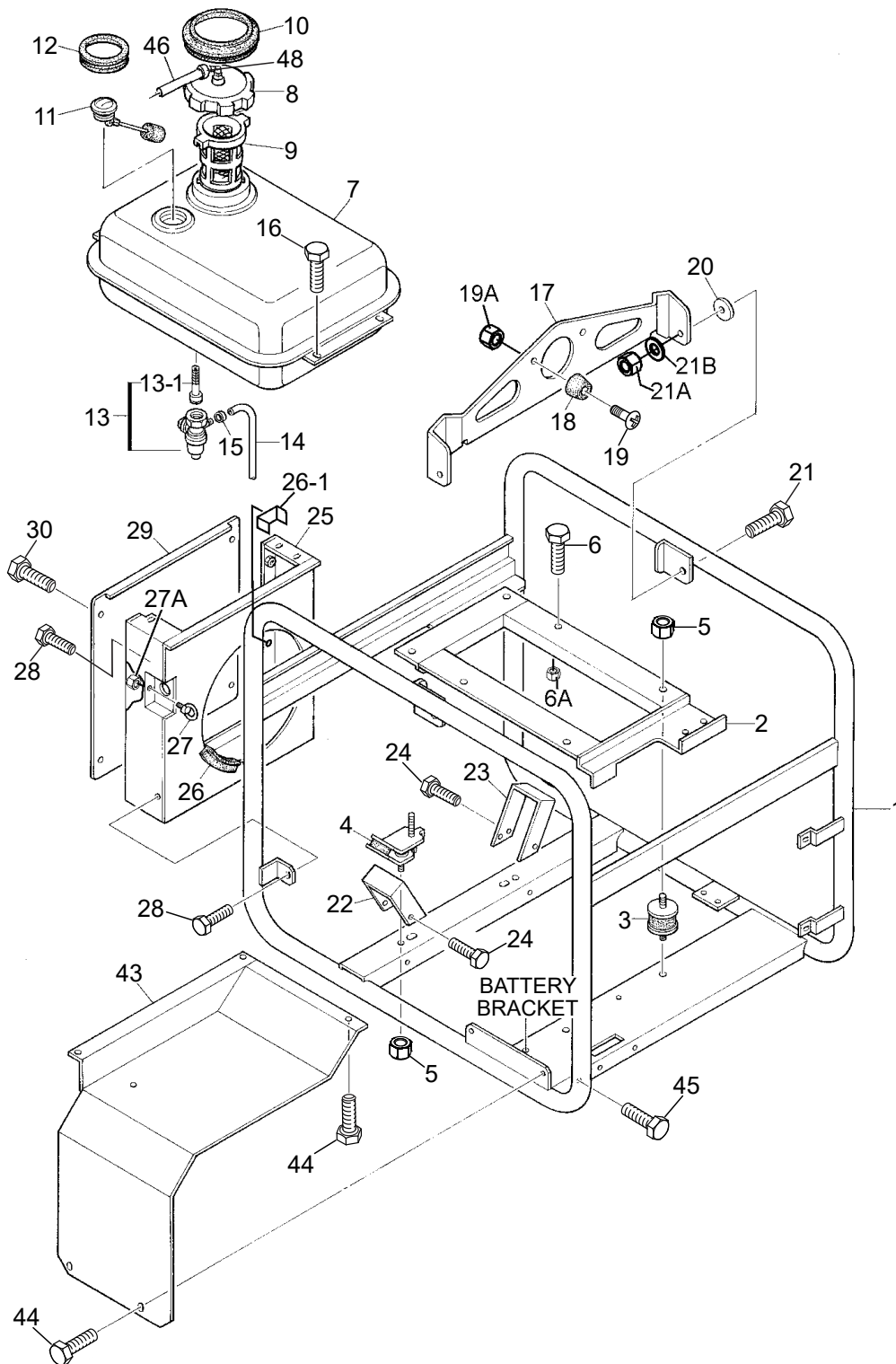
PIPE FRAME ASSY.



PIPE FRAME ASSY.

<u>NO.</u>	<u>PART NO.</u>	<u>PART NAME</u>	<u>QTY.</u>	<u>REMARKS</u>
1	D1417000002	PIPE FRAME, (GAW180HE)	1	
1	D1417000702	PIPE FRAME, (GAW180HE1)	1	
1	D1417001102	PIPE FRAME, (GAW180HEA)	1	
2	D1304100004	BASE	1	
3	1665115504	RUBBER SUSPENSION	2	
4	1665419004	RUBBER SUSPENSION, (GAW180HE_HE1).....	2	REPLACES P/N 1725419214
4	A9312601104	RUBBER SUSPENSION, (GAW180HEA)	2	
5	020108060	HEX. NUT	8	REPLACES P/N 0207008000
6	0016908040	HEX. HEAD BOLT	2	
6A	0207008000	HEX. NUT	2	
7	D1364000003	FUEL TANK, (GAW180HE)	1	
7	D1364000803	FUEL TANK, (GAW180HE1).....	1	S/N 5629880 AND BELOW
7	D1361000004	FUEL TANK, (GAW180HE1).....	1	S/N 5629881 AND ABOVE
7	D1361000004	FUEL TANK, (GAW180HEA)	1	S/N 5868894 AND BELOW
7	D1361000014	FUEL TANK, (GAW180HEA)	1	S/N 5868895 AND ABOVE
8	A9924800024	CAP, FUEL TANK, (GAW180HE).....	1	REPLACES P/N 0810105804
8	0430430120	CAP, FUEL TANK, (GAW180HE1).....	1	REPLACES P/N 0605505068
8	0430430120	CAP, FUEL TANK, (GAW180HEA)	1	REPLACES P/N 0605505068 S/N 5854909 AND BELOW
8	A2361000304	CAP, FUEL TANK, (GAW180HEA)	1	S/N 5854910 AND ABOVE
9	0605505130	FUEL FILTER, (GAW180HE_HE1)	1	
9	0641360030	FUEL FILTER, (GAW180HEA).....	1	REPLACES P/N 0605505162
10	D1492600104	RUBBER SEAL	1	
11	0602125032	FUEL GAUGE	1	
12	D1490600104	RUBBER SEAL	1	
13	16950ZB4015	FUEL COCK ASSY.....	1	INCLUDES ITEM W/\$ REPLACES P/N 0605510068
13-1\$	16952KJ9752	FUEL STRAINER.....	1	REPLACES P/N 16952ZB4005
14	D1361100704	HOSE	1	
15	9500202080	HOSE BAND.....	2	REPLACES P/N 0605515178
16	0016908020	HEX. HEAD BOLT	4	
17	A9117200103	HANGER	1	
18	0601850097	STOPPER	1	
19	011208025	MACHINE SCREW.....	1	REPLACES P/N 0021008025
19A	020108060	HEX. NUT	1	REPLACES P/N 0207008000
20	A9311100004	PLASTIC WASHER, (GAW180HE)	2	
20	0601851116	PLASTIC WASHER	2	
21	011208025	HEX. HEAD BOLT.....	2	REPLACES P/N 0011308025
21A	020108060	HEX. NUT, (GAW180HE).....	2	REPLACES P/N 0037908000
21A	0207608000	HEX. NUT	2	
21B	0042108000	WASHER, FLAT	2	
22	7915455103	COVER	1	
23	7855455003	COVER	1	

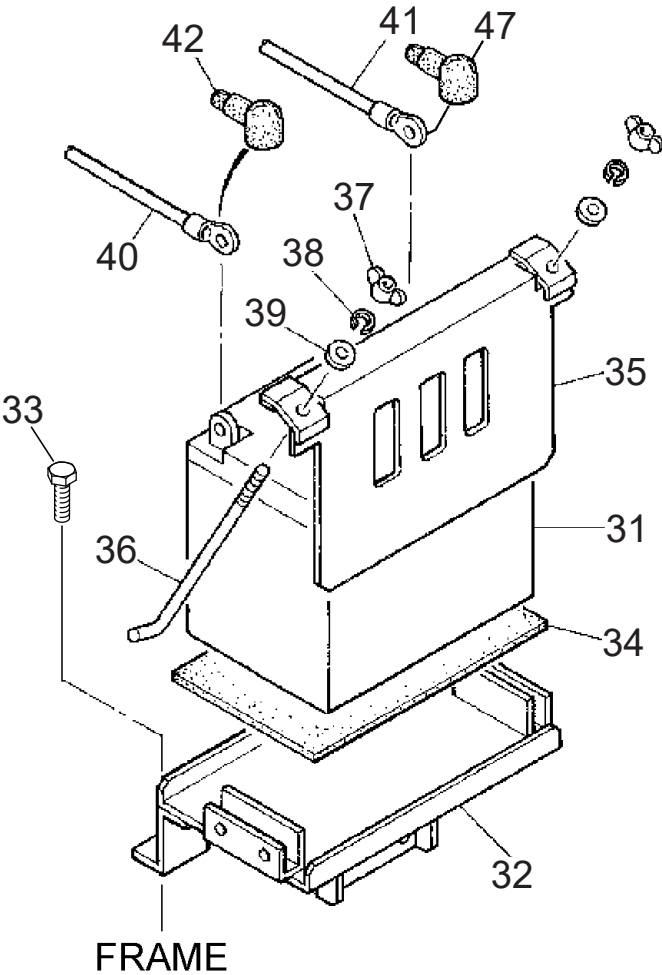
PIPE FRAME ASSY. (CONT'D.)



PIPE FRAME ASSY. (CONT'D.)

<u>NO.</u>	<u>PART NO.</u>	<u>PART NAME</u>	<u>QTY.</u>	<u>REMARKS</u>
24	0017106016	HEX. HEAD BOLT, (GAW180HE)	6	
24	011106015	HEX. HEAD BOLT.....	6.....	REPLACES P/N 0016906015
25	D1424000003	DUCT, (GAW180HE)	1	
25	D1424000903	DUCT	1	
26	0220300680	RUBBER SEAL, (GAW180HE)	1	
26	Y0314600750	RUBBER SEAL	1	
26-1	Y0027100050	RUBBER SEAL, (GAW180HEA)	1	
27	0014006000	EYE BOLT	1	
27A	0176060030	HEX. NUT	1.....	REPLACES P/N 0207006000
28	011106015	HEX. HEAD BOLT.....	3.....	REPLACES P/N 0016906015
29	D1424200204	COVER	1	
30	011106015	HEX. HEAD BOLT.....	4.....	REPLACES P/N 0016906015
43	D1485300903	DUCT, (GAW180HE)	1	
43	D1484300103	DUCT, (GAW180HE1)	1	
43	D1484300103	DUCT, (GAW180HEA)	1.....	S/N 5668959 AND BELOW
43	D1484300203	DUCT, (GAW180HEA)	1.....	S/N 5668960 AND ABOVE
44	0017106016	HEX. HEAD BOLT, (GAW180HE)	5	
44	011106015	HEX. HEAD BOLT.....	5.....	REPLACES P/N 0016906015
45	0019206016	HEX. HEAD BOLT, (GAW180HE)	1	
45	0019206015	HEX. HEAD BOLT	1	
46	0605513189	HOSE, (GAW180HE1)	1	
46	0605513189	HOSE, (GAW180HEA).....	1.....	S/N 5814948 AND BELOW
46	0605513219	HOSE, (GAW180HEA).....	1.....	S/N 5814949 AND ABOVE
48	0605515223	HOSE BAND (GAW180HEA).....	2.....	S/N 5814949 AND ABOVE

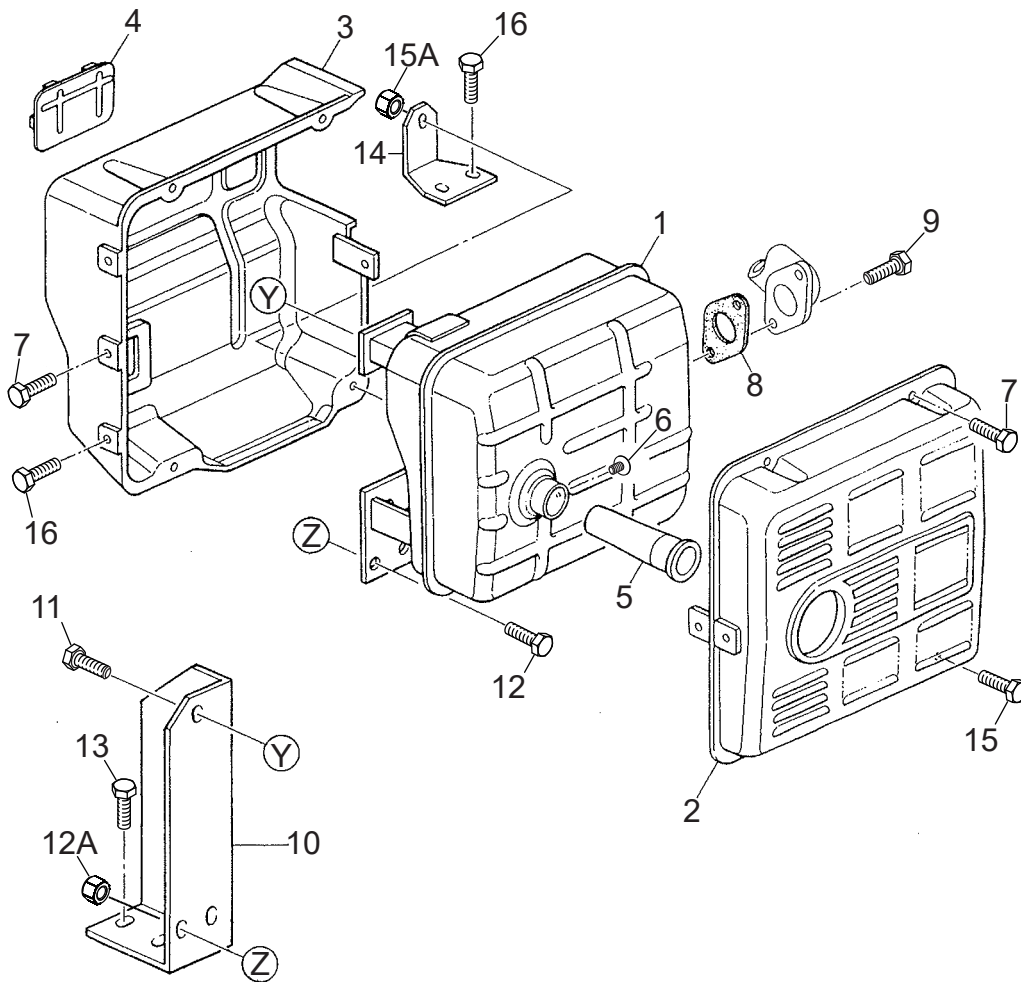
BATTERY ASSY.



BATTERY ASSY.

<u>NO.</u>	<u>PART NO.</u>	<u>PART NAME</u>	<u>QTY.</u>	<u>REMARKS</u>
31		BATTERY.....	1.....	PURCHASE LOCALLY
32	D1345200104	BRACKET, BATTERY	1	
33	011106015	HEX. HEAD BOLT.....	4.....	REPLACES P/N 0016906015
34	0805081004	BATTERY SHEET.....	1.....	REPLACES P/N 1702202104
35	7905458103	BATTERY BAND	1	
36	0805082204	BATTERY BOLT	2	
37	0037806000	WING NUT	2	
38	0040006000	WASHER, LOCK	2	
39	952404470	WASHER, FLAT.....	2.....	REPLACES P/N 0041206000
40	D1347000004	BATTERY CABLE	1	
41	D1347000104	BATTERY CABLE	1	
42	D1343200604	TERMINAL CAP	1	
47	Y0602220643	TERMINAL CAP	1	

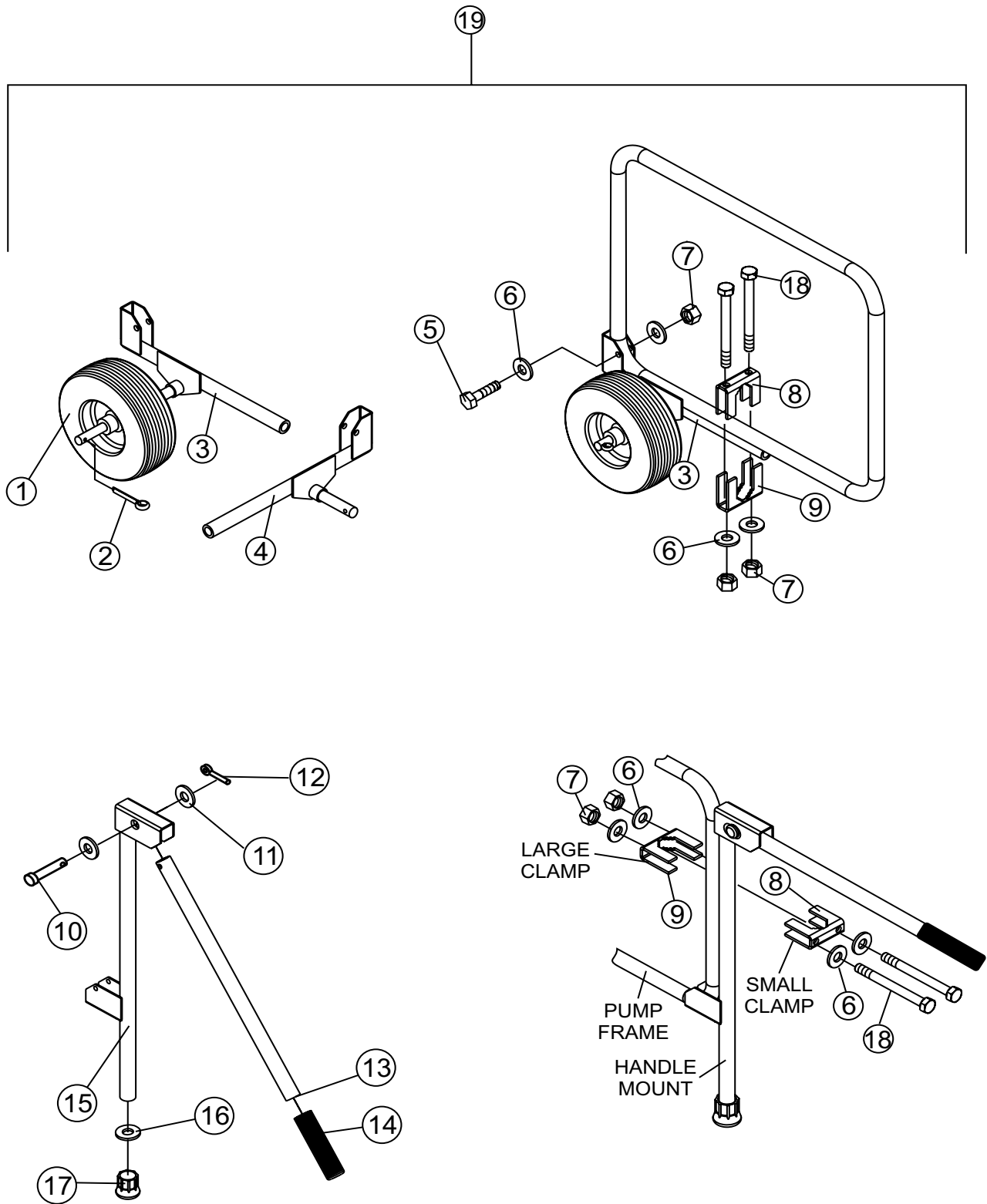
MUFFLER ASSY.



MUFFLER ASSY.

<u>NO.</u>	<u>PART NO.</u>	<u>PART NAME</u>	<u>QTY.</u>	<u>REMARKS</u>
1	D1331100303	MUFFLER, (GAW180HE_HE1)	1	
1	D1331100303	MUFFLER, (GAW180HEA).....	1.....	S/N 5873512 AND BELOW
1	D1331100313	MUFFLER, (GAW180HEA).....	1.....	S/N 5873513 AND ABOVE
2	18320ZC2000	PROTECTOR	1	
3	18325ZB4000	PROTECTOR	1	
4	18329ZB4000	SEAL	2	
5	18355ZB4630	ARRESTOR, SPARK	1	
6	90002ZG0003	TAPPING SCREW, (GAW180HE_HE1)	1.....	REPLACES P/N 90183671003
6	90002ZE2U91	TAPPING SCREW, (GAW180HEA)	1	
7	0105050616	HEX. HEAD BOLT (GAW180HE_HE1).....	5.....	REPLACES P/N 0017106012
7	0016906012	HEX. HEAD BOLT (GAW180HEA)	5	
8	18333ZB4801	GASKET	1	
9	957010802000	HEX. HEAD BOLT	2	
10	D1332400104	BRACKET	1	
11	011008020	HEX. HEAD BOLT	1.....	REPLACES P/N 0016908020
12	011208025	HEX. HEAD BOLT	2.....	REPLACES P/N 0016908025
12A	020108060	HEX. NUT	2.....	REPLACES P/N 0207008000
13	011008020	HEX. HEAD BOLT	2.....	REPLACES P/N 0016908020
14	D1331400004	BRACKET	1	
15	011206020	HEX. HEAD BOLT	1.....	REPLACES P/N 0016906020
15A	0176060030	HEX. NUT	1.....	REPLACES P/N 0207006000
16	0016906012	HEX. HEAD BOLT	4	

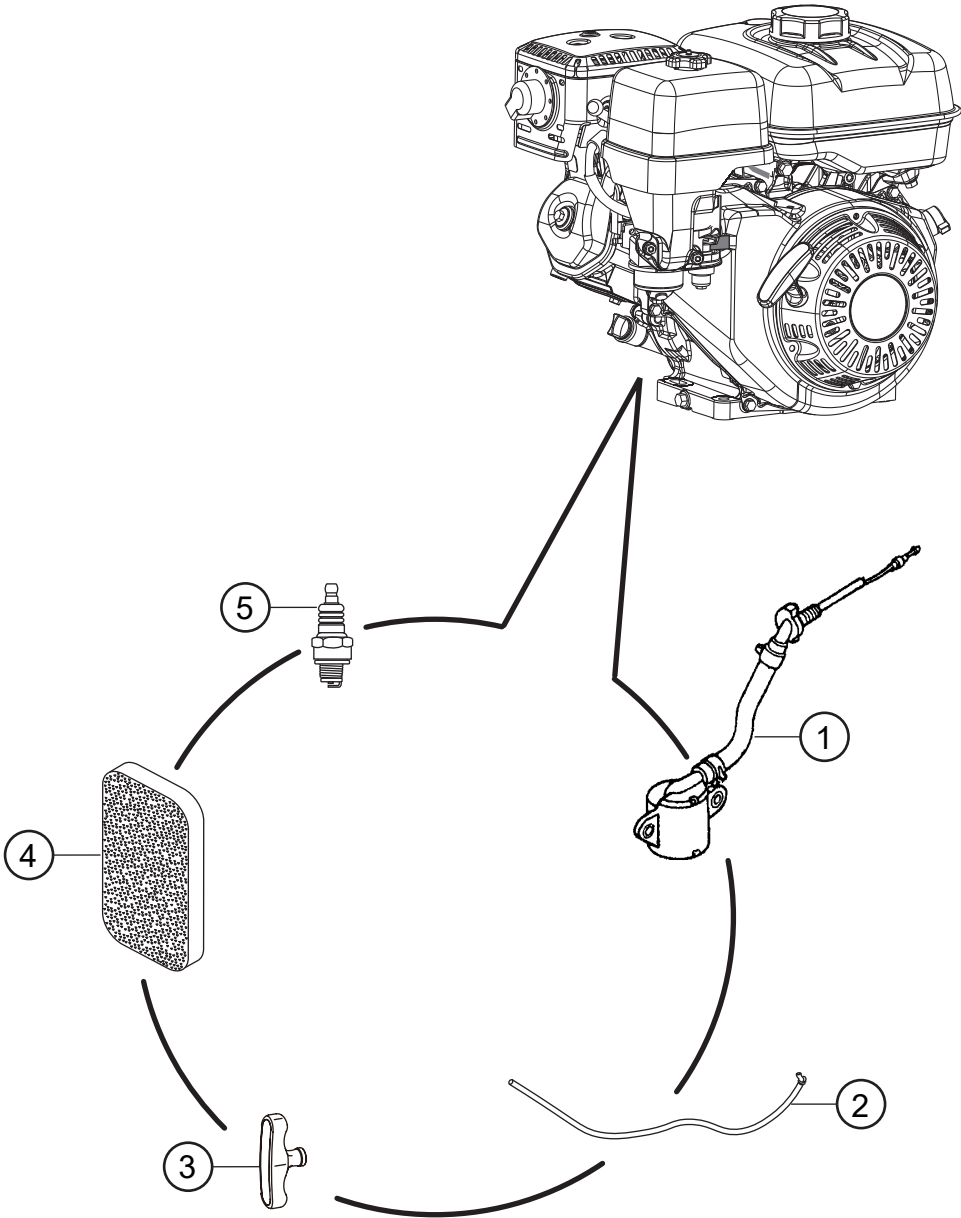
UWKB WHEEL KIT ASSY. (OPTION)



UWKB WHEEL KIT ASSY. (OPTION)

<u>NO.</u>	<u>PART NO.</u>	<u>PART NAME</u>	<u>QTY.</u>	<u>REMARKS</u>
1#	19850	WHEEL TIRE SOLID	2.....	REPLACES P/N WK1312
2#	8158	PIN, COTTER, 3/16" X 1-1/2"	2	
3#	29748	AXLE MOUNT W/A LEFT 3-5/8"	1	
4#	29744	AXLE MOUNT W/A RIGHT 3-5/8"	1	
5#	WK34715	SCREW, M6 X 45	4	
6#	0948	WASHER, FLAT SAE 1/4"	24	
7#	WK34717	NUT, NYLOC M6	12	
8#	WK2250	CLAMP SMALL	4	
9#	WK2300	CLAMP LARGE	4	
10#	29787	PIN, CLEVIS 5/16 X 1-1/2"	2	
11#	0300 B	WASHER, FLAT SAE 5/16"	4	
12#	0683	PIN, COTTER 3/32" X 3/4"	2	
13#	29739	TUBE, HANDLE	2	
14#	15081	GRIP, HAND	2.....	REPLACES P/N 19717
15#	29746	HANDLE MOUNT W/A	2	
16#	4001	WASHER FLAT USS 3/8" PLD	2	
17#	19716	CRUTCH TIP	2	
18#	WK34716	SCREW, HHC M6 X 90MM	8	
19	UWKB	WHEEL KIT, UNIVERSAL.....	1.....	INCLUDES ITEMS W/#

ENGINE SERVICE PARTS



ENGINE SERVICE PARTS

<u>NO.</u>	<u>PART NO.</u>	<u>PART NAME</u>	<u>QTY.</u>	<u>REMARKS</u>
1◆	15510ZE2053	SWITCH ASSY., OIL LEVEL	1	
1◇	35480ZF6003	SENSOR, OIL LEVER	1	
2	28462ZV7003	ROPE, RECOIL	1	
3◆	28461ZE2W02	GRIP, STARTER	1	
3◇	28461Z5T003	GRIP, STARTER	1	
4	17211899000	ELEMENT, AIR CLEANER	1	
5	9807955846	SPARK PLUG	1	

NOTICE

- ◆ GX340K1EDE2
- ◇ GX340RT2EDE2

PARTS MANUAL

HERE'S HOW TO GET HELP

PLEASE HAVE THE MODEL AND SERIAL
NUMBER ON HAND WHEN CALLING

UNITED STATES

Multiquip Inc.

(310) 537- 3700
6141 Katella Avenue Suite 200
Cypress, CA 90630
E-MAIL: mq@multiquip.com
WEBSITE: www.multiquip.com

CANADA

Multiquip

(450) 625-2244
4110 Industriel Boul.
Laval, Quebec, Canada H7L 6V3
E-MAIL: infocanada@multiquip.com

UNITED KINGDOM

Multiquip (UK) Limited Head Office

0161 339 2223
Unit 2, Northpoint Industrial Estate, Globe Lane,
Dukinfield, Cheshire SK16 4UJ
E-MAIL: sales@multiquip.co.uk

© COPYRIGHT 2024, MULTIQUIP INC.

Multiquip Inc, the MQ logo and the MQ Power logo are registered trademarks of Multiquip Inc. and may not be used, reproduced, or altered without written permission. All other trademarks are the property of their respective owners and used with permission.

This manual MUST accompany the equipment at all times. This manual is considered a permanent part of the equipment and should remain with the unit if resold.

The information and specifications included in this publication were in effect at the time of approval for printing. Illustrations, descriptions, references and technical data contained in this manual are for guidance only and may not be considered as binding. Multiquip Inc. reserves the right to discontinue or change specifications, design or the information published in this publication at any time without notice and without incurring any obligations.

Manufactured for
MQ Power Inc.
by
DENYO MANUFACTURING CORP.

