



GLOBUG Model GB114BS Assembly Instructions (1000 Watt Lamp)

The following instructions are intended to assist the user in the assembly of the GloBug Model GB114BS. Please read the instructions before assembling.



The pole clamp assembly used in this setup procedure is a dual type clamp. One side of the clamp is for the attachment of the main pole of the lighting system. The other side of the clamp is used for the attachment of a support pole that is usually connected to a piece of equipment such as a paver.

- Place offset pole (B) with adapter clamp (K) on top of adjustable extension pole (L). Make sure that offset pole has been seated correctly.
- Using 17 mm wrench, tighten both bolts (M) on the offset adapter clamp (K) securely.
- Place lamp assembly (N) onto offset pole (B). Tighten T-handle bolt (O) securely.

Pole Setup

Refer to Figure 1 for the following procedure.

- Remove the offset pole (B) from the shipping container.
- Attached to the offset pole is a 17/19 mm open-end wrench (C). Remove the wingnut (D) securing the wrench to the offset pole and remove wrench.
- Reinsert wingnut and washer back into offset pole so they will not get lost or misplaced.
- Remove the two pole clamp assemblies (A) from the shipping container. Attach one pole clamp assembly (E) to the main pole (F) about 3 inches (76.2 mm) down from the main pole extension clamp. Using supplied 19 mm wrench, tighten locknut on the pole clamp assembly securely.
- Attach the other pole clamp assembly (G) to the main pole (F) about 7.0 in. (140 mm.) down from the previous attached pole clamp assembly (E). Using the 19 mm wrench, tighten locknut on the pole clamp assembly securely.
- To attach main pole (F) to equipment support pole (I), swing open adjustable tension plate (H) on clamp so that it can accommodate the diameter of the equipment support pole. Insert equipment support pole (I) through the two equipment support pole clamp assemblies as shown in Figure 1.
- Once the equipment support pole (I) has been seated properly, move adjustment bolt and locknut (J) into locking position. Use the supplied 17 mm wrench, to tighten locknuts (J) on both clamps securely.

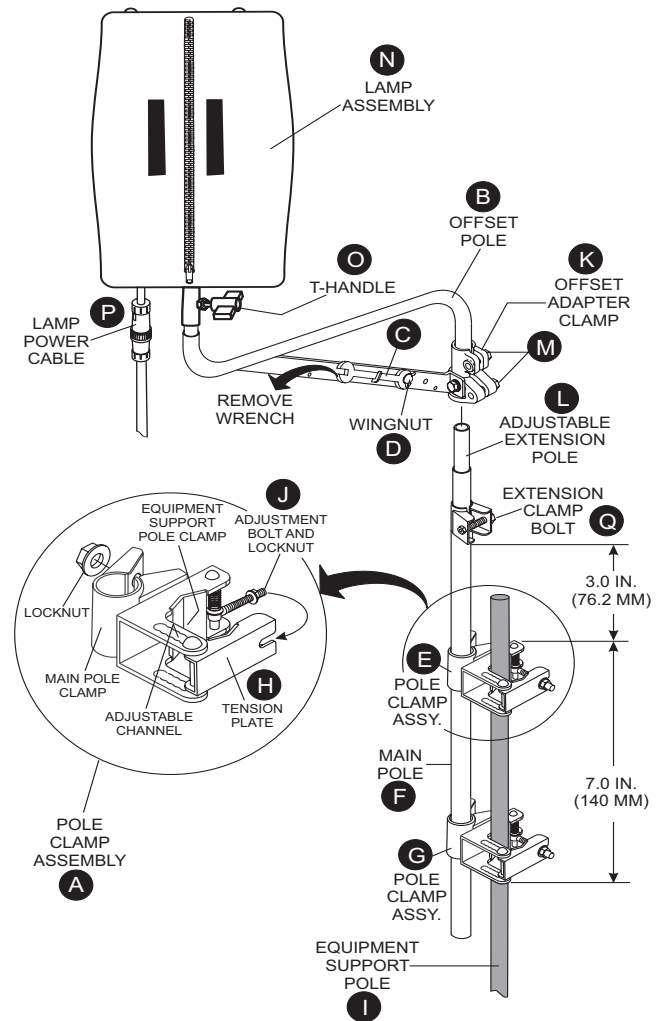


Figure 1. Offset Pole Assembly

Removing the Protective Covering

1. Expose the balloon by pulling down on the velcro tab and unzipping the protective cover as shown in Figure 2. Also remove the AC power cord at this time.

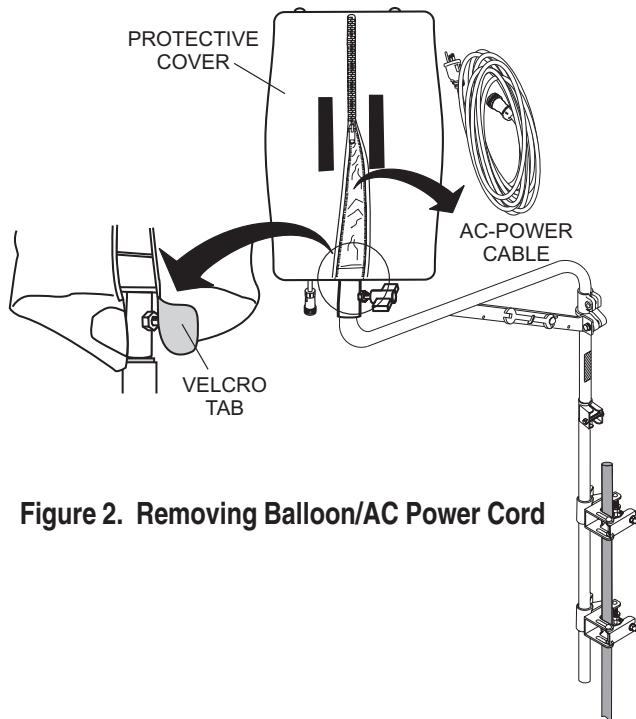


Figure 2. Removing Balloon/AC Power Cord

2. Next, fold the protective cover (Figure 3) into itself and zip.

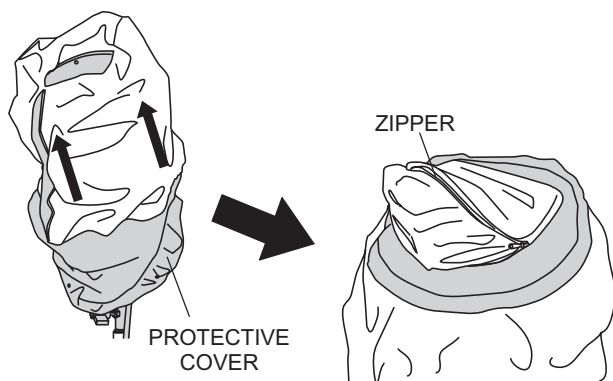


Figure 3. Folding Protective Cover

Connecting Power Cable

1. Connect 15 ft. (4.6 meters) AC power cable (Figure 4) to the lamp power cable.

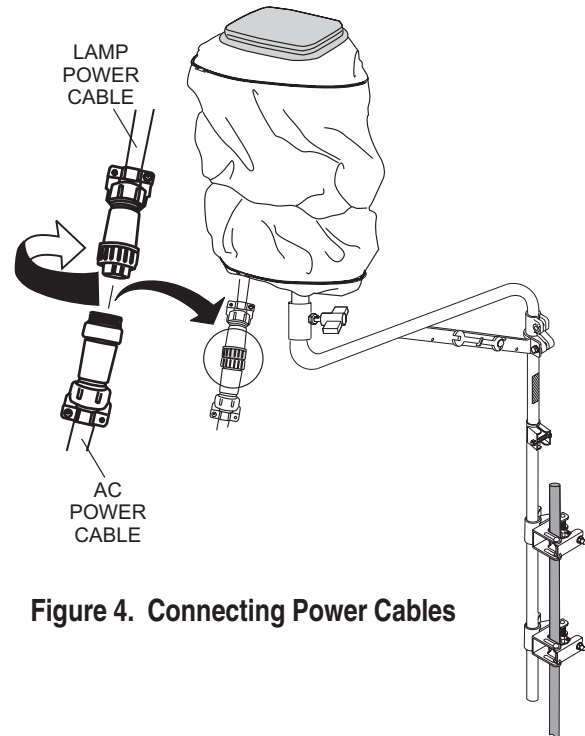


Figure 4. Connecting Power Cables

2. Attach both S-type hooks (Figure 5) on the AC power cable into the cable support holes on the offset pole.

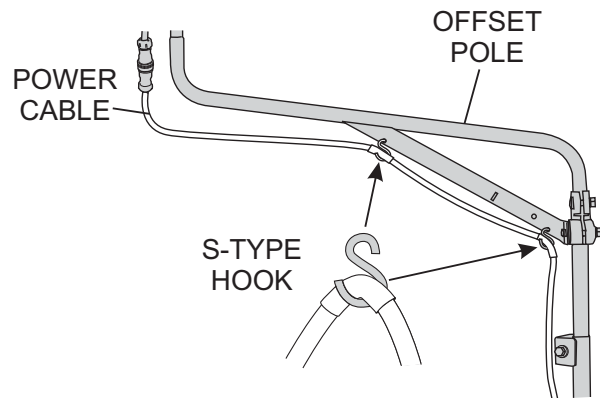


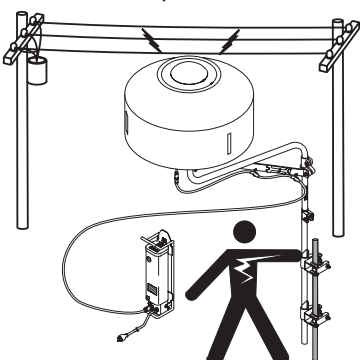
Figure 5. Attachment of S-Hooks

Raising the Extension Pole

1. Before raising the extension pole, make sure the T-handle bolt lock (Figure 1-O) is securely tightened. This will prevent the balloon/lamp assembly from falling off. In addition make sure that the lamp power cable is connected to the mating end of the power source cable.
2. Raise extension pole (Figure 1-L) to desired height. Watch out for any overhead obstructions.
3. Using 19 mm wrench, tighten extension clamp bolt (Figure 1-Q) securely. Keep wrench in a safe place where it will not get lost.


! DANGER - Overhead Obstructions

ALWAYS make sure the area above the lighting system is open and clear of overhead power lines and other obstructions. Contact with overhead power lines or other obstructions could result in equipment damage, **Serious Injury or Death!**



! DANGER - HIGH VOLTAGE POWER LINES

When raising the extension pole, **ALWAYS** be on the lookout for overhead obstructions such as high voltage power lines. The possibility exists of electrocution, even death! if the lighting system comes in contact with **high voltage power lines**.



Applying Power

1. If using a portable generator, start the generator as referenced in the "Start-up Section" of the supplied generator manual.
2. Once the generator has started, plug the AC power cord from the ballast (Figure 6) into a GFCI receptacle on the generator.
3. If using a power source (Figure 6) other than a portable generator, plug the AC power cord from the ballast into a 120 VAC, 60 Hz receptacle that is protected by a at least a 15 amp circuit breaker.

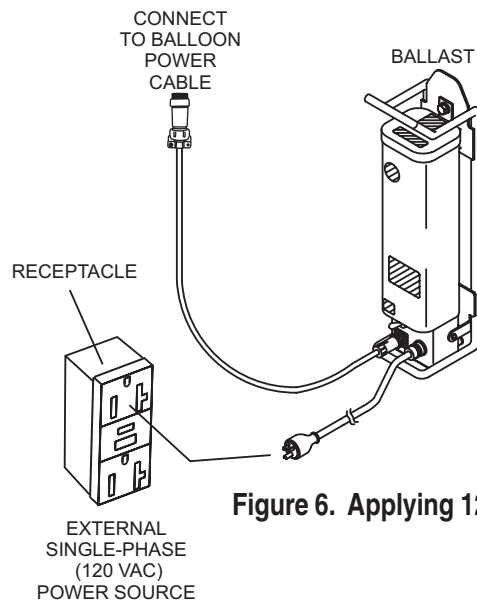
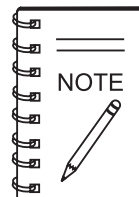


Figure 6. Applying 120 VAC Power



ALWAYS Make sure ballast is securely mounted to a surface where it will not move, slip or fall. This will prevent severe damage to the ballast.

4. Place the ON/OFF switch on the ballast in the ON position.
5. Notice that the balloon envelope will begin to deploy as soon as power is applied.
6. The lamp should now be on. If the lamp is not on, check all connections and repeat steps 1 thru 4. If the lamp still does not come on, contact your nearest MQ service center.
7. The lighting system is now ready for use.

Shutdown

1. Place the ON/OFF switch on the ballast to the OFF position. The balloon should begin to deflate.
2. If using a portable generator, shut-down the generator as referenced in the "Shutdown Section" of the supplied generator manual. **ALWAYS** place the main circuit breaker in the **OFF** position before turning off the generator.
3. If using a power source other than an AC generator, disconnect the ballast AC power cable from the power source.

! CAUTION - LAMP COOL DOWN

Allow a sufficient amount of time (15-20 minutes) for the lamp to **cool down**. The possibility exists of the balloon getting burned (touching the lamp).

Lowering the Extension Pole

1. Using the supplied 19 mm wrench, **loosen** extension clamp bolt (Figure 1-Q).
2. Carefully pull down on the adjustable extension pole (Figure 1-L) and lower lamp assembly.
3. Remove wingnut (Figure 1-D) from offset pole (Figure 1B) and insert wrench into wrench holder. Reinsert wingnut and tighten.

Removing Lamp assembly

1. Make sure lamp (Figure 7) has had a sufficient amount of time to **cool down**.

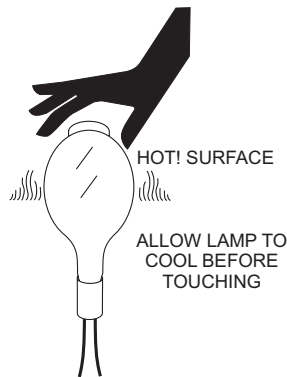


Figure 7. Hot Lamp Surface

2. Disconnect lamp power connector (Figure 8) from the AC power cable.

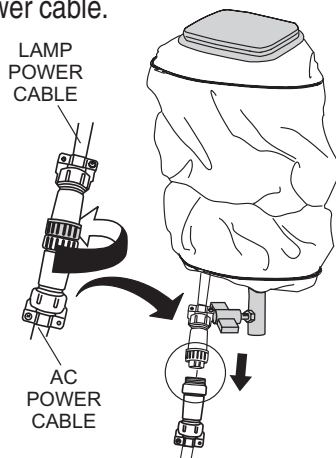


Figure 8. Disconnecting Power Cables

3. Remove both S-type hooks (Figure 5) on the AC power cable from the cable support holes on the offset pole.

4. Unzip the zipper on the protective cover (Figure 9), and pull down cover over balloon/lamp assembly.

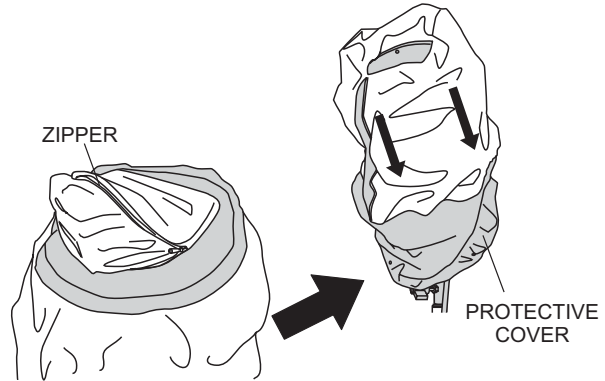


Figure 9. Unzipping the Protective Cover

5. Place the AC power cable inside the protective cover (Figure 10). Fully zip protective cover and fold velcro tab in place.

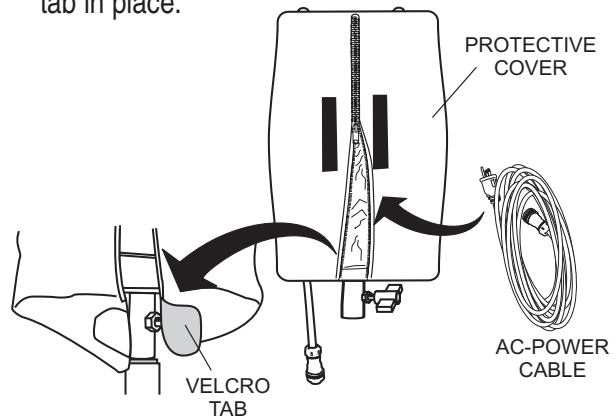


Figure 10. Zipping the Protective Cover

6. Loosen T-handle bolt (Figure 1-O) by turning counterclockwise and remove lamp assembly (Figure 1-N) from offset pole.
7. Store lamp assembly enclosed within its protective cover (Figure 11) in a safe location where it will not be damaged.



Figure 11. Storing Lamp Assembly

