

OPERATION MANUAL



GloBug SERIES
GB3LED (Tripod with Lamp)
SERIAL NO. G3200105 AND ABOVE

GB3LEDB (Lamp Only)
SERIAL NO. G3300046 AND ABOVE

Revision #3 (07/01/24)



To find the latest revision of this publication or associated parts manual, visit our website at:
www.multiquip.com



THIS MANUAL MUST ACCOMPANY THE EQUIPMENT AT ALL TIMES.

Certificate



Certificate no.

CA 72150324 01

License Holder:
LIGHT BOY CO., LTD.
2-6-14 Kurigi, Asao
KAWASAKI, KANAGAWA 215-0033
JAPAN

Manufacturing Plant:
F-Tec Corp
2-6-14 Kurigi, Asao
KAWASAKI, KANAGAWA 215-0033
JAPAN

Test report no.: USA-SS 17044753 001 **Client Reference:** Satomi Kugimiya

Tested to: C22.2 NO. 12-1982+GI1+GI2+GI3+GI4+GI5 (R2013)
CAN/CSA-C22.2 NO. 250.13-14

Certified Product: Portable LED Worklights, GB3LED series **License Fee - Units**

Model Designation: GB3LED, GB3LEDB, GB3LEDC, GB3LEDH, GB3LEDS 7

Rated Voltage: AC 120V, 60Hz
Rated Power: 320W

Appendix: 1, 1-3

7

Licensed Test mark:



Date of Issue
(day/mo/yr)
20/05/2015

TUV Rheinland of North America, Inc., 12 Commerce Road, Newtown, CT 06470, Tel. (203) 426-0888 Fax. (203) 426-4009

GB3LED/B Lighting System

Safety Information 4–7
Specifications 8
Dimensions..... 9
Illumination Range..... 10
General Information..... 11
Components 12–13
Setup 14–16
Operation..... 17–19
Maintenance 20–23
Wiring Diagram..... 24
Troubleshooting..... 25

NOTICE
Specifications and part numbers are subject to change without notice.

SAFETY INFORMATION


Do not operate or service the equipment before reading the entire manual. Safety precautions should be followed at all times when operating this equipment. Failure to read and understand the safety messages and operating instructions could result in injury to yourself and others.





SAFETY MESSAGES

The four safety messages shown below will inform you about potential hazards that could injure you or others. The safety messages specifically address the level of exposure to the operator and are preceded by one of four words: **DANGER**, **WARNING**, **CAUTION** or **NOTICE**.

SAFETY SYMBOLS



 DANGER
Indicates a hazardous situation which, if not avoided, WILL result in DEATH or SERIOUS INJURY .

 WARNING
Indicates a hazardous situation which, if not avoided, COULD result in DEATH or SERIOUS INJURY .

 CAUTION
Indicates a hazardous situation which, if not avoided, COULD result in MINOR or MODERATE INJURY .

NOTICE
Addresses practices not related to personal injury.

Potential hazards associated with the operation of this equipment will be referenced with hazard symbols which may appear throughout this manual in conjunction with safety messages.

Symbol	Safety Hazard
	Burn hazards
	Electric shock hazards

SAFETY INFORMATION

GENERAL SAFETY

CAUTION

- **NEVER** operate this equipment without proper protective clothing, shatterproof glasses, respiratory protection, hearing protection, steel-toed boots and other protective devices required by the job or city and state regulations.



- **NEVER** operate this equipment when not feeling well due to fatigue, illness or when under medication.



- **NEVER** operate this equipment under the influence of drugs or alcohol.

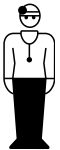


- **ALWAYS** check the equipment for loosened threads or bolts before starting.

- **DO NOT** use the equipment for any purpose other than its intended purposes or applications.

NOTICE

- This equipment should only be operated by trained and qualified personnel 18 years of age and older.
- Whenever necessary, replace nameplate, operation and safety decals when they become difficult read.
- Manufacturer does not assume responsibility for any accident due to equipment modifications. Unauthorized equipment modification will void all warranties.
- **NEVER** use accessories or attachments that are not recommended by Multiquip for this equipment. Damage to the equipment and/or injury to user may result.
- **ALWAYS** know the location of the nearest fire extinguisher.
- **ALWAYS** know the location of the nearest first aid kit.
- **ALWAYS** know the location of the nearest phone or **keep a phone on the job site**. Also, know the phone numbers of the nearest **ambulance, doctor and fire department**. This information will be invaluable in the case of an emergency.



SAFETY INFORMATION

LIGHTING SYSTEM SAFETY

WARNING

- **NEVER** disconnect any **emergency or safety devices**. These devices are intended for operator safety. Disconnection of these devices can cause **severe injury, bodily harm or even death**. Disconnection of any of these devices will void all warranties.

CAUTION

- **NEVER** attempt service on a running machine.

NOTICE

- To prevent the lighting system from overturning, **NEVER** use in winds that exceed 22 mph (10 m/s).
- The lighting system should only be used in temperatures between 23° to 104°F (-5° to 40° C). Failure to comply with these operating parameters could cause the lamp to malfunction and shorten the ballast life.
- **ALWAYS** keep the lighting system in proper running condition.
- Fix damage to lighting system and replace any broken parts immediately.
- **ALWAYS** store equipment properly when it is not being used. Equipment should be stored in a clean, dry location out of the reach of children and unauthorized personnel.

LAMP SAFETY

WARNING

- **NEVER** attempt to replace lamp with the power on. Always unplug the power cord from the generator or power source when changing the lamp.
- **ALWAYS** allow a sufficient amount of time for the lamp to **cool** before changing. The possibility exists of severe burns.

CAUTION

- **NEVER** use force when installing the lamp. Excessive force could cause the lamp to break, causing bodily harm.

NOTICE

- **NEVER** leave any grease or oil residue on lamp surface when replacing or removing lamp. This can create hot spots, reducing the service life of the lamp.
- **ALWAYS** make sure lamp surface is clean and dry.
- **ALWAYS** replace with MQ recommended type lamp. See parts section of this manual.
- If applicable, **ALWAYS** make sure the lamp guard is installed correctly. **NEVER** deform the lamp guard.
- **NEVER** unplug the lamp's AC power cable during operation.
- **ALWAYS** have a **trained technician** to install and remove lamp or replace any damaged fixture wiring.

TRANSPORTING SAFETY

NOTICE

- When transporting the tripod lighting system, if applicable, always place in **stow position** and place tripod in its carrying case.
- **ALWAYS** remove balloon/lamp assembly from the mast when transporting lighting system. This will prevent damage to the bulb due to vibration.
- **NEVER** leave the balloon/lamp exposed during transport. Exposure to excess wind or rain could damage the balloon's nylon cover.
- **ALWAYS** place balloon inside its protective cover during transport. Be sure the cover is secured tightly around the balloon/lamp assembly.

SAFETY INFORMATION

BALLOON SAFETY

WARNING

- To prevent serious burns, **NEVER** touch or unzip the balloon envelope when the lamp is on.



CAUTION

- **ALWAYS** keep the balloon away from sharp objects and excessive amounts of heat.

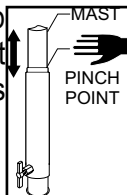
NOTICE

- To prevent balloon deformation, **NEVER** use lighting system in strong winds.
- **DO NOT** place the balloon inside its protective cover until the lamp has had a sufficient amount of time to cool down. This will prevent the balloon's nylon cover from being burned (touching the lamp surface).
- **ALWAYS** place the balloon inside its protective cover after each use. This will prolong the life of the balloon material, keeping it protected from harsh environmental elements.
- Replace balloon immediately if damaged. A damaged balloon will not inflate properly, and may become more damaged by touching the hot lamp surface.
- **DO NOT** use excessive force when zipping and unzipping the balloon. Be gentle with the zipper mechanism. If the zipper is broken, the balloon will become unusable.

MAST SAFETY

CAUTION

- When raising or lowering the mast, keep hands and fingers clear of the various mast sections, this will prevent hands and fingers from getting pinched.
- **NEVER** attach anything to the mast.
- **ALWAYS** lower the mast when not in use, or if high winds or electrical storms are expected in the area.



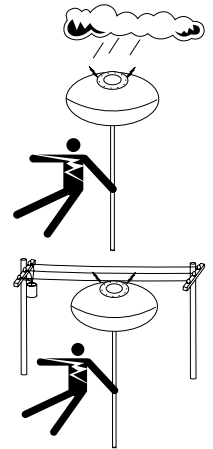
ELECTRICAL SAFETY

DANGER

- Lighting system is equipped with a ground pin on the power plug. For your protection, **ALWAYS** complete the grounding path. **NEVER** insert the AC power plug into a 2-prong receptacle to operate lighting system.

When applying power to the lighting system, **ALWAYS** connect the AC power plug to a 3-prong receptacle that is grounded. The possibility exists of **electrical shock, electrocution and even death** if the lighting system is not grounded.

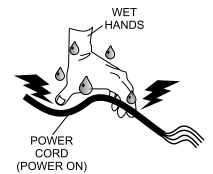
- **NEVER** operate lighting system or handle any electrical equipment while standing in water, while barefoot, while hands are wet or in the rain. A dangerous **electrical shock** could occur, causing **severe bodily harm or even death**.
- **ALWAYS** make sure the area above the lighting system is open and clear of overhead power lines and other obstructions. Contact with overhead power lines or other obstructions could result in equipment damage, **electrical shock, electrocution and even death**.



Power Cord/Cable Safety

DANGER

- **NEVER** let power cords or cables **lay in water**.
- **NEVER** use **damaged** or **worn** cables or cords. Inspect for cuts in the insulation
- **NEVER** grab or touch a live power cord or cable with wet hands. The possibility exists of **electrical shock, electrocution or death**.
- Make sure power cables are securely connected. Incorrect connections may cause **electrical shock** and damage to the lighting system.



NOTICE

- **ALWAYS** make certain that proper power or extension cord has been selected for the job. See Cable Selection

SPECIFICATIONS

Table 1. Specifications

Globug Lighting System			
Model	GB3LED (S/N G3200105 -G4200000)	GB3LED (S/N G4200001 and ABOVE)	
Input Voltage	120 VAC	120 VAC ¹ ; 12, 24, 48 VDC ²	
Frequency	50 Hz/ 60 Hz	50 Hz/ 60 Hz	
Max. Current	2.7 Amps (120 V @300 W)	2.7 Amps (120V @300W)	
Weight	Lamp Fixture	18.74 lb (8.5 kg)	18.74 lb (8.5 kg)
	Mast	4.85 lb (2.2 kg)	4.85 lb (2.2 kg)
	Tripod	12.13 lb (5.5 kg)	12.13 lb (5.5 kg)
	Balloon Cover	1.32 lb (0.6 kg)	1.32 lb (0.6 kg)
	Cable	1.54 lb (0.7 kg)	1.54 lb (0.7 kg)
	Total	38.58 lb (17.5 kg)	38.58 lb (17.5 kg)
Appropriate Generator	350 W and above	350 W and above	
Lamp			
Lamp Type	LED	LED	
Dimming Control	3 stages: 300W / 200W / 100W	3 stages: 300W / 200W / 100W ³	
Total Luminous Flux (lm)	40000 ±7% @300 W	40000 ±7% @300 W	
	28000 ±7% @200W	30000 ±7% @200W	
	16000 ±7% @100W	16000 ±7% @100W	
Operation_Enabled Temperature Range	14 to 104°F (-10 to 40 °C)	14 to 104°F (-10 to 40 °C)	
Mast			
Number of Stages	2 (with gas assist)	2 (with gas assist)	
Maximum Height (Standard)	12.5 feet (3.8 meters)	12.5 feet (3.8 meters)	

¹ - 90 to 240V are available by changing the appropriate power cable.

² - If cigarette plug cable (option) is used

³ - Automatically adjusts to 100 W for DC12V and DC24V Operation

DIMENSIONS

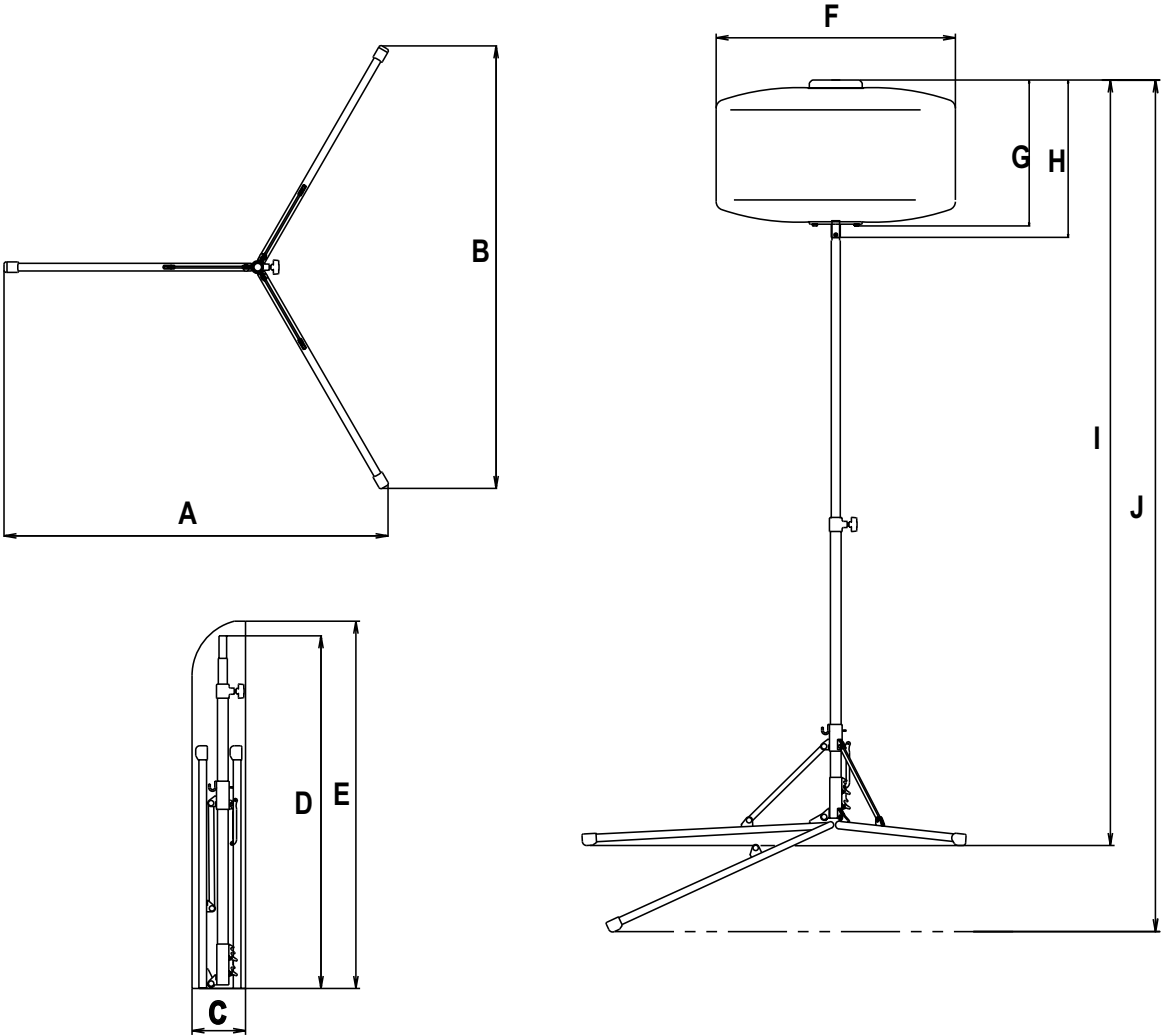
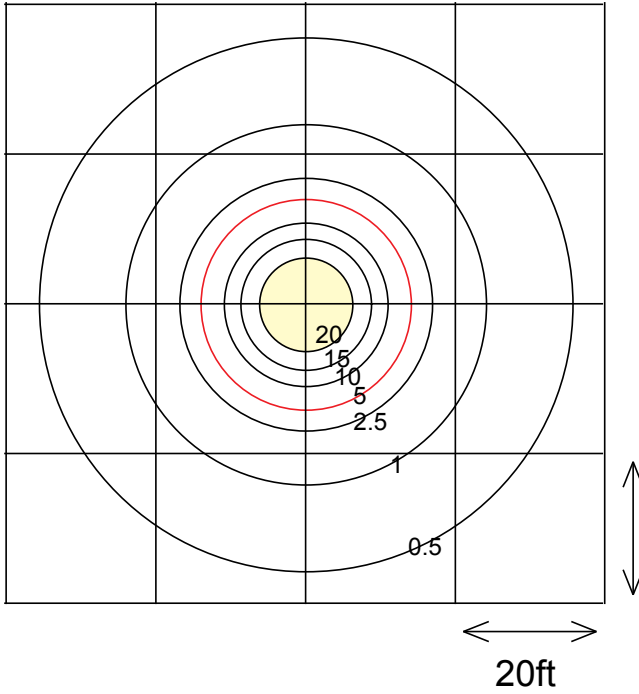


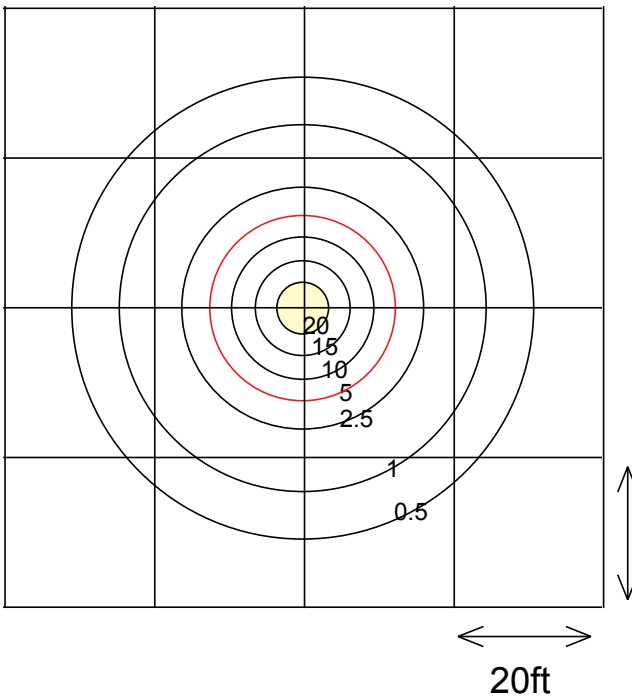
Figure 1. Dimensions (GB3LED)

Table 2. Dimensions			
Reference Letter	Dimension in. (mm.)	Reference Letter	Dimension in. (mm.)
A	Upper Position - 44.7 in. (1,135 mm.) Lower Position - 52.4 in. (1,330 mm.)	F	33.5 in. (850 mm.)
B	Upper Position - 52.2 in. (1,325 mm.) Lower Position - 62.0 in. (1,575 mm)	G	21.1 in. (535 mm.)
C	7.5 in. (190 mm.)	H	23.6 in. (600 mm.)
D	49.6 in. (1,260 mm.)	I	73.2 - 109.1 in. (1860 - 2770 mm.)
E	51.2 in. (1,300 mm.)	J	88.4 - 124.2 in. (2245 - 3155 mm.)

ILLUMINATION RANGE



tripod 1st Stage
Two stage mast



tripod 2nd Stage
Two stage mast

Figure 2. Illumination Range (Foot Candles)

GENERAL INFORMATION

The Multiquip GloBug GB3LED is a general purpose, portable, glare-free lighting systems Typical applications for these types of lighting systems include construction sites, emergency road crews and backyard parties.

LIGHTING

This GloBug lighting system is comprised of LED lamps in a shock-resistant, waterproof LED assembly. The LED assembly has an output of 40,000 lumens. The LEDs have a long operating life of up to 40,000 hours. The lighting system has a 3-stage dimming control (100 W, 200 W, 300 W).

SETUP

The GB3LED lighting system can be set up quickly and easily. Tripod legs can be deployed in one quick easy step and can be adjusted to two different heights.

In addition the unit is equipped with a gas-assist mast lowering system. This system allows the mast to be retracted slowly so that the mast will not fall rapidly when released. This feature reduces the amount of vibration or shock to the lamp.

TRANSPORT

The GB3LED lighting system can be transported (Figure 3) quite easily in two carrying cases.

For ease of service or transport, the lamp assembly is equipped with a quick-disconnect connector that allows the lamp fixture to be removed quickly. This feature is extremely useful during transport of the lighting system. It is always best to remove the lamp and pack it safely so it will not be damaged.

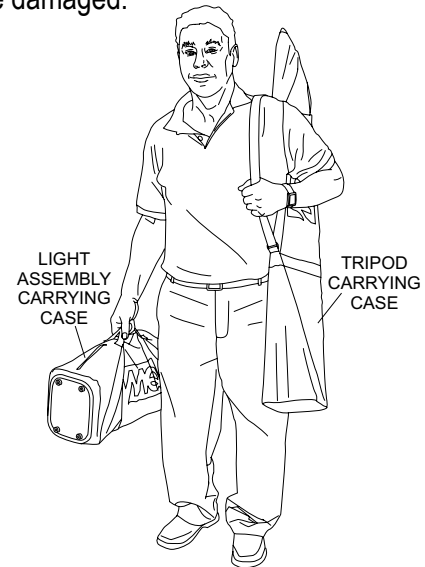


Figure 3. GB3LED Transporting

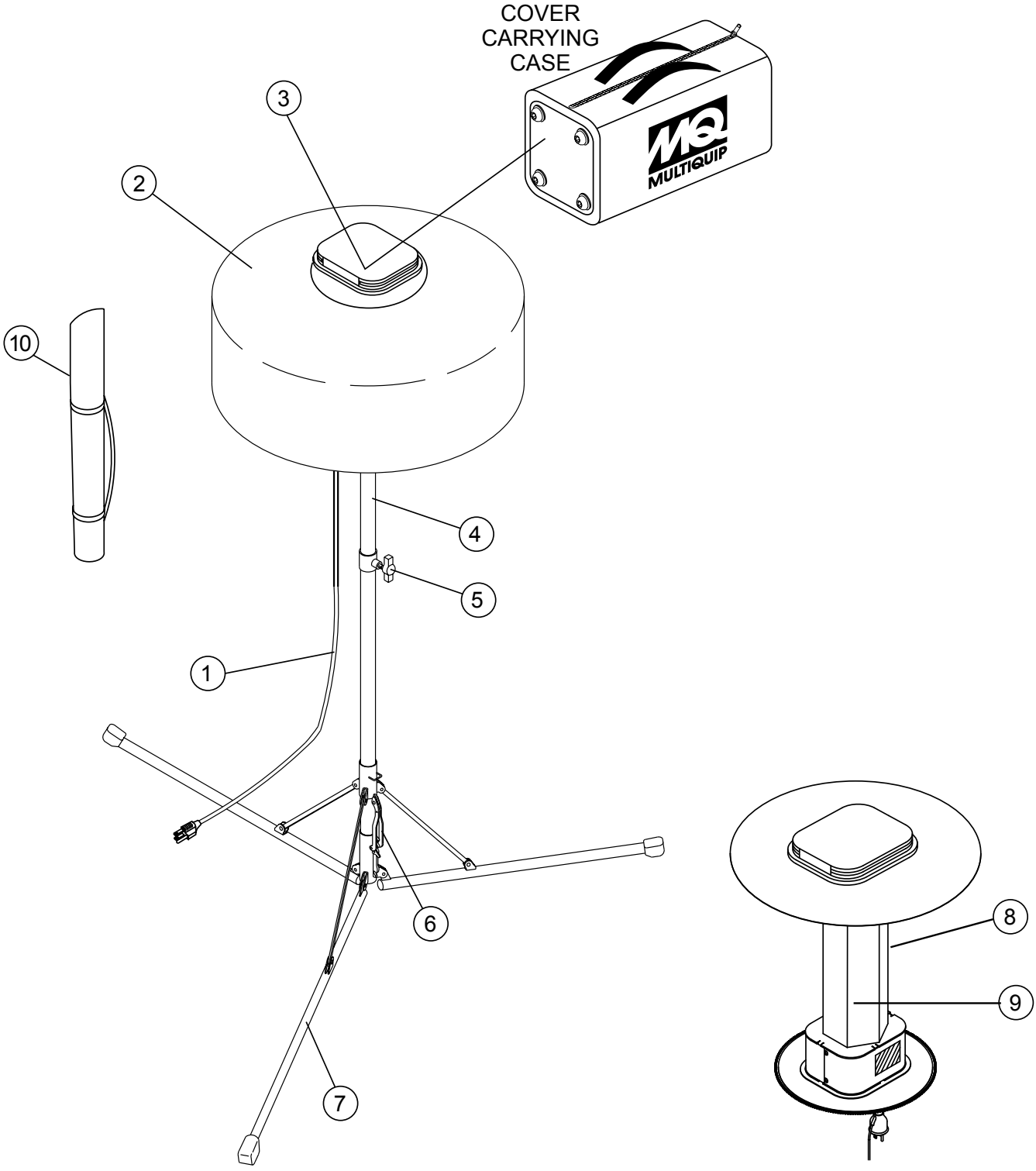


Figure 4. Major Components

COMPONENTS

Figure 4 shows the location of the components for the GloBug lighting system. The function of each component is described below:

1. **AC Power Cable** — Connect this cable to a 120 VAC, 60 Hz power source.
2. **Balloon** — This balloon is made of heat-resistant polyester, with a diameter of 33 inches (850 mm).
3. **Balloon Cover/Carrying Case** — When zipped, this protective cover acts like a carrying case. The complete lamp assembly is enclosed within the cover-carrying case. Allow a sufficient amount of time for the lamp to cool down before covering balloon. The possibility exists of the balloon getting burned.
4. **Mast** — Two stage gas-assist mast. Maximum mast height is 12.5 ft. (3.81 meters). When raising the mast, always be on the lookout for overhead obstructions.
5. **T-Handle Bolt Lock** — Always tighten this lock to hold the lamp/balloon securely in place before raising mast.
6. **Weight Support Hook** — To add additional weight to the tripod and make the tripod more stable in windy conditions. Place a sandbag or similar weight onto this hook.
7. **Tripod** — Unbuckle velcro strap securing tripod legs (3), push down on any tripod leg until all tripod legs are fully deployed. To place tripod legs in the stowed position, pull upward on velcro strap while pushing down on tripod pole. Pull all legs upward and secure with velcro strap.
8. **Lamp Guard** — This guard (cage) protects the lamp from being hit by objects.
9. **Lamp** — Comprised of LED lamps. The lamps have three stages of brightness: 300W, 200W, and 100W.
10. **Tripod Carrying Case** — Use this case when transporting of the tripod is required. **ALWAYS** store tripod in this carrying case when not in use.

SETUP

TRIPOD DEPLOYMENT

1. Place the tripod on a firm level surface so that it will not slide or turn over. Make sure there is enough space around the unit for the tripod legs to be deployed.
2. Remove tripod from its carrying case. The tripod legs are secured by a black velcro strap (Figure 5). Squeeze both tabs on each side of buckle to unlock strap and allow tripod legs (Figure 6) to be deployed.

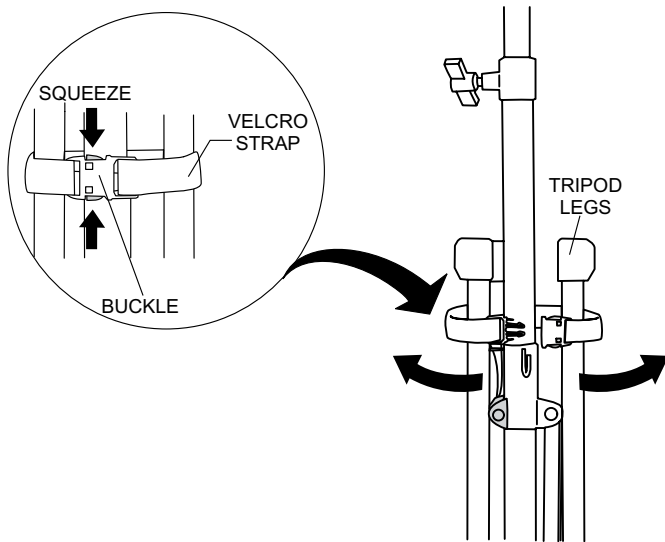


Figure 5. Velcro Strap (Open)

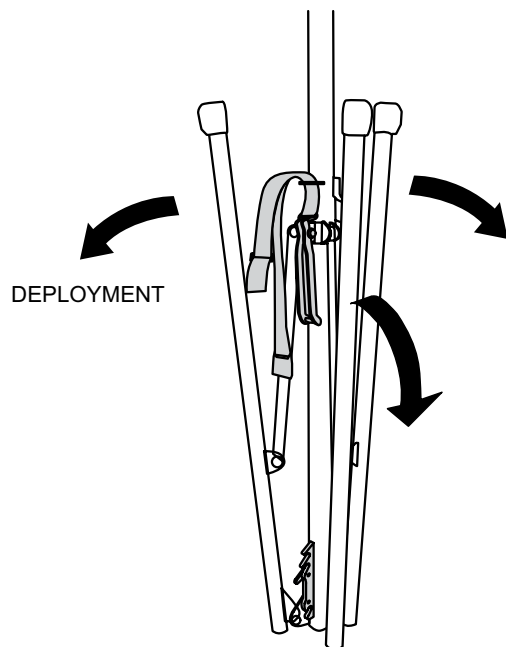


Figure 6. Tripod Deployment

3. Next, pull upward on the mast and let the tripod legs deploy. Once the tripod legs have been fully deployed make sure the legs are locked by securing the latch.

The latch (Figure 7) has two positions, upper and lower. Placing the latch in the upper position will provide 1 ft. (305 mm) more height.

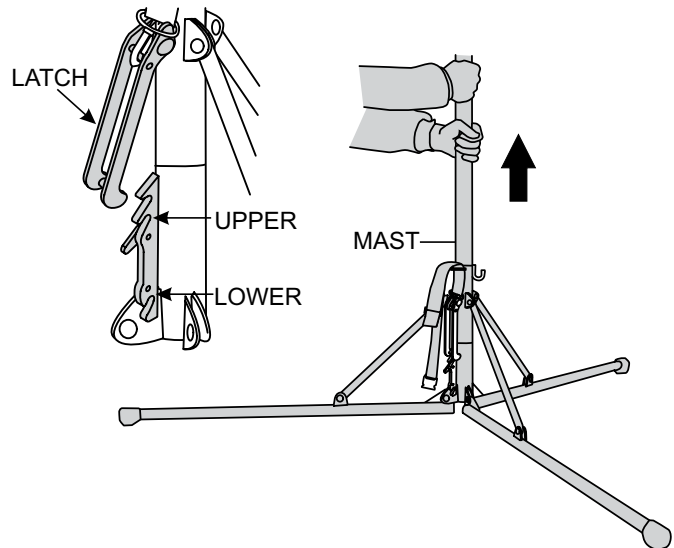


Figure 7. Securing the Tripod

BALLOON ASSEMBLY PLACEMENT

1. Place balloon assembly (Figure 8) onto mast and tighten Upper T-handle.

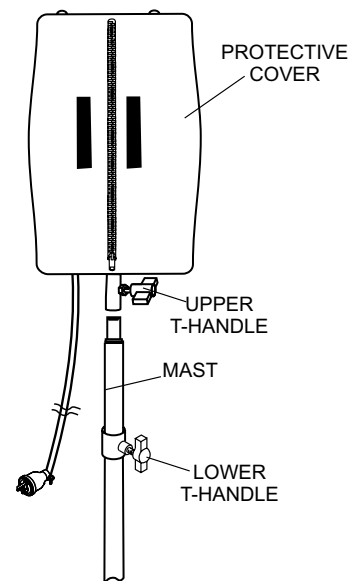


Figure 8. Light Assembly Placement

2. Unsnap the three buttons on the bottom of the balloon. Expose the balloon by pulling down on the velcro tab and unzip the protective cover as shown in Figure 9. Also remove the AC power cord at this time.

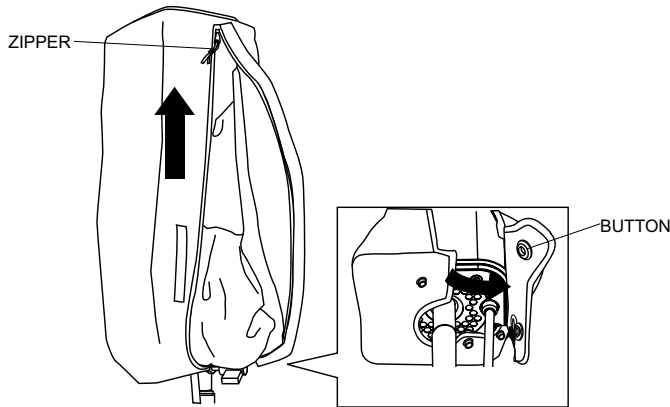


Figure 9. Removing Balloon/AC Power Cord

3. Next, fold the protective cover (Figure 10) into itself and zip.

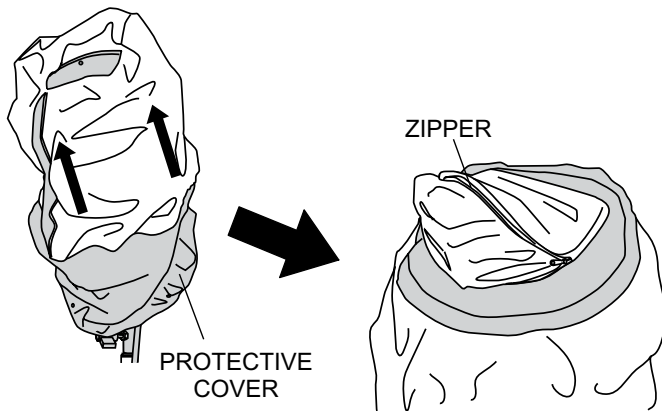


Figure 10. Folding Protective Cover

4. Attach the S-type hook (Figure 11) on the AC power cable onto the washer-eylet located on the bottom plate of the light assembly.

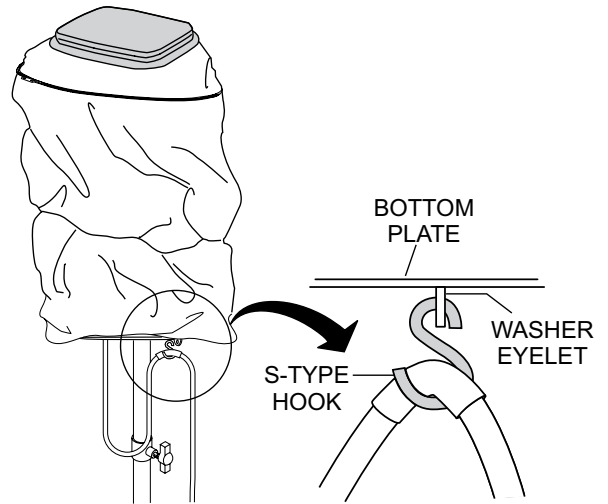
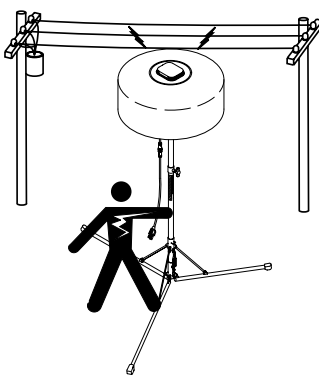


Figure 11. Securing Power Cord

RAISING THE MAST

Before raising the mast, make sure the upper T-handle bolt lock (Figure 12) is securely tightened. This will prevent the balloon/lamp assembly from falling off. In addition make sure that the lamp power cable is connected to the mating end of the 15 ft (4.5 meters) power source cable.

! DANGER




ALWAYS make sure the area above the lighting system is open and clear of overhead power lines and other obstructions. The mast extends in excess of 13 ft. (4 meters) when an optional extension is used. Contact with overhead power lines or other obstructions could result in equipment damage, serious injury or death!

! CAUTION

When raising mast, **ALWAYS** be on the lookout for overhead obstructions such as high voltage power lines. The possibility exists of electrocution, even death! if the lighting system comes in contact with high voltage power lines.

! DANGER



When raising mast, **ALWAYS** be on the lookout for overhead obstructions such as high voltage power lines. The possibility exists of electrocution, even death! if the lighting system comes in contact with high voltage power lines.

5. To improve stability and to prevent tipping of the light unit, place sand bags or similar type weight over the tripod legs or weight hook as shown in Figure 12.

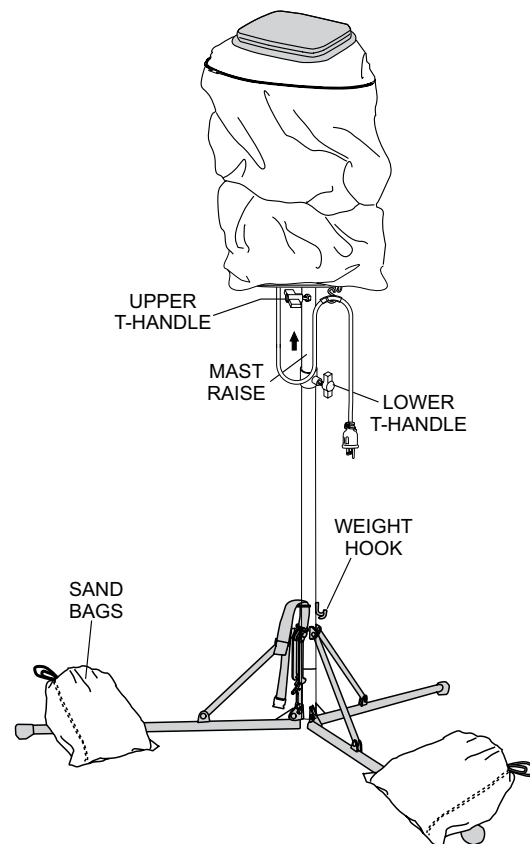


Figure 12. Sand Bags

6. Raise mast to desired height and tighten lower T-handle (Figure 12) securely.

APPLYING POWER

1. Connect the AC power cable to the 120 VAC receptacle on the generator used. See Figure 13.

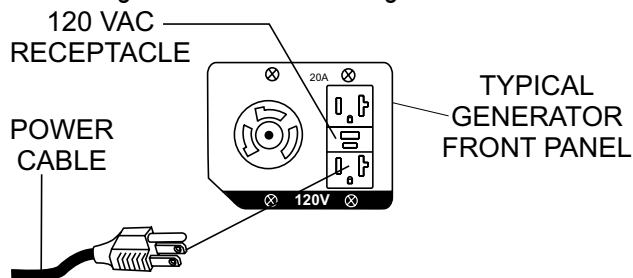


Figure 13. Connecting to Power Source

2. Start the generator as indicated in the generator manual.
3. Turn on the power of the generator. The balloon will start to inflate and the lamp will turn on at 200 W for units with S/N G3200105 - G4200000, and at 300 W for units with S/N G4200001 and ABOVE.

DIMMING THE LAMP

1. Press the dimmer switch to control the brightness of the lamp (Figure 14). The lamp can be turned off or set to 100W, 200W, 300W. The corresponding LED will light red when selected (Figure 15).

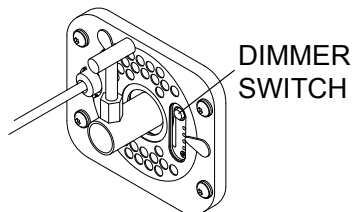


Figure 14. Dimmer Switch

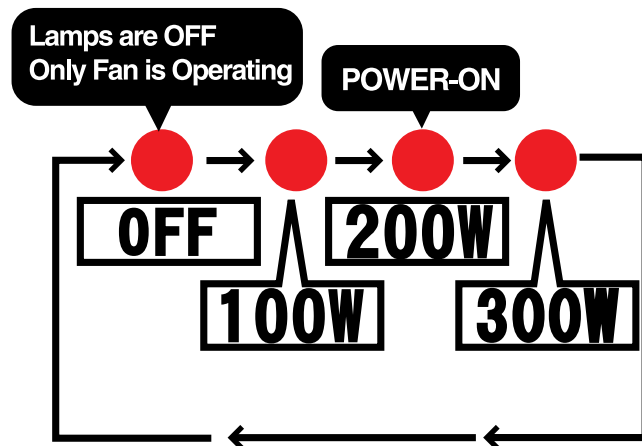


Figure 15. Brightness LED Indicators

2. Zip up the bottom of the balloon completely after use of the dimmer switch.

SILENT MODE

Noise coming from the unit during operation can be eliminated.

1. Press and hold the dimmer switch (Figure 14) for 2 seconds. The blue LED in the center of the switch will flash when in silent mode.
2. To switch back to normal mode, press and hold the dimmer switch for 3 seconds. The blue LED will stop flashing.

NOTICE

The brightness of the lamp can still be adjusted when in silent mode.

When unit is restarted, it will revert to normal mode even if silent mode was selected prior to shutdown.

SHUTDOWN

1. Turn off the power switch of the generator. The balloon should start to deflate and the lamp will turn off.
2. Disconnect the AC power cable from the generator.

CIGARETTE LIGHTER CABLE (OPTION)

An optional cigarette lighter cable (P/N A300301402) can be used to connect to the cigarette lighter receptacle in a vehicle for power.

1. Disconnect the AC Power Cable from the unit and connect the cigarette lighter cable in its place.
2. Make sure the vehicle is in idle mode.

NOTICE

Do not connect to the vehicle while the engine is on.

3. Connect the other other end of the cigarette lighter cable to the cigarette lighter receptacle in the vehicle (Figure 16). The lighting system will automatically adjust to 100W when DC power is used.

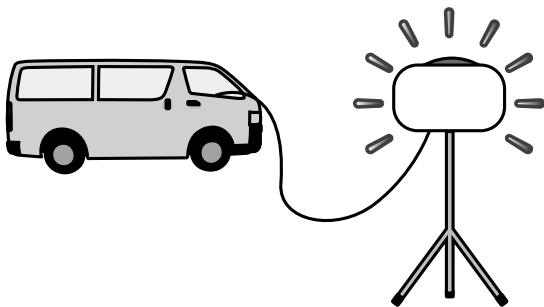


Figure 16. DC Power Source

4. If the vehicle battery is about to be discharged, the lamp would blink then will automatically turn off. If this happens, make sure that the cigarette lighter cable is unplugged from the vehicle. Only plug it back again when battery is replaced with a properly charged one.

NOTICE

If the voltage from the vehicle battery goes below 11 V, the lighting system may not start properly. Unplug cable and wait a few seconds before plugging it back in.

STORAGE

1. Loosen the lower T-handle by turning handle counterclockwise (Figure 17). Push down on mast until mast is fully inserted into mast housing. Tighten T-handle fully.

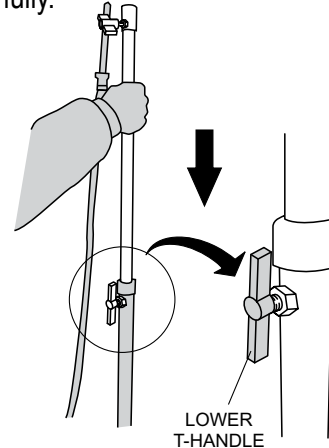


Figure 17. Lowering the Mast

2. Unhook the cable from the washer eyelet.
3. Unzip the zipper on the protective cover (Figure 20), and pull down cover over balloon/lamp assembly.

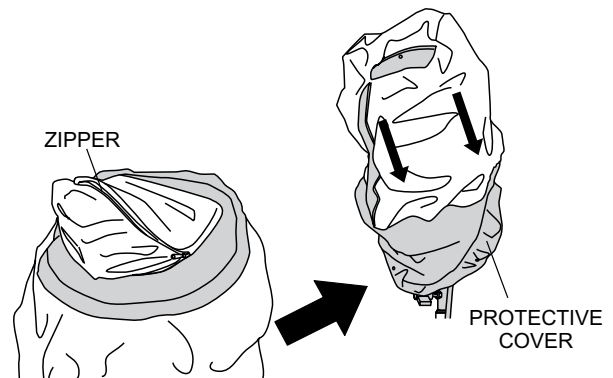


Figure 18. Unzipping the Protective Cover

OPERATION

- Unhook lamp AC power cable from washer eyelet (Figure 11). Fully zip protective cover and fold velcro tab in place (Figure 19).

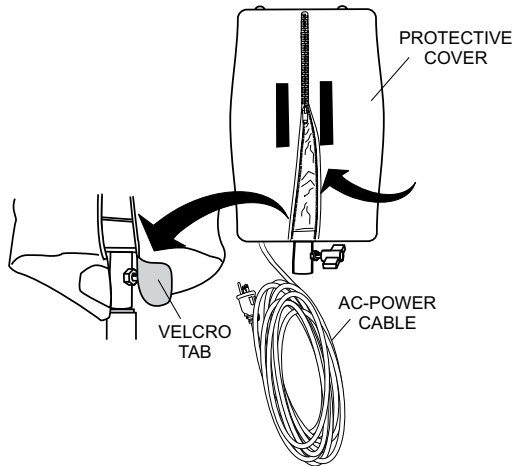


Figure 19. Zipping the Protective Cover

- Loosen upper T-handle by turning counterclockwise and lift lamp assembly from mast.
- Store lamp assembly enclosed with its protective cover (Figure 20) in a safe location where it will not be damaged.



Figure 20. Storing Lamp Assembly

- To retract tripod legs (Figure 21) and place in the stow position, lift up on mast while pulling up on the velcro strap. Continue pulling upward on the mast until the tripod legs are fully retracted and are in the stow position.

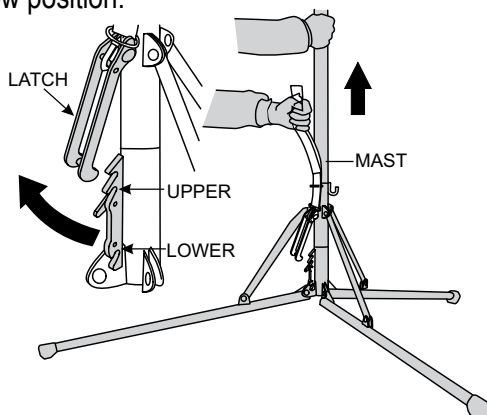


Figure 21. Retracting Tripod Legs

- Once tripod legs are in the stow position, place velcro strap (Figure 22) around all three tripod legs. Secure tripod legs by inserting the male and female connector ends of the strap into each other.

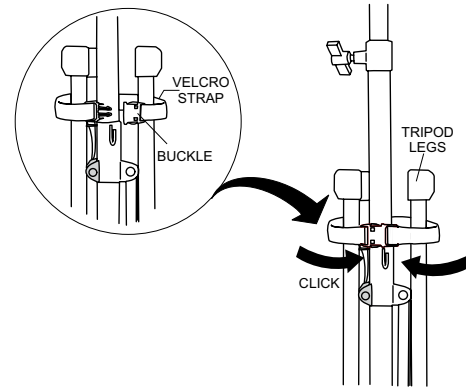


Figure 22. Velcro Strap (Closed)

- Place tripod (Figure 23) inside protective carrying case.

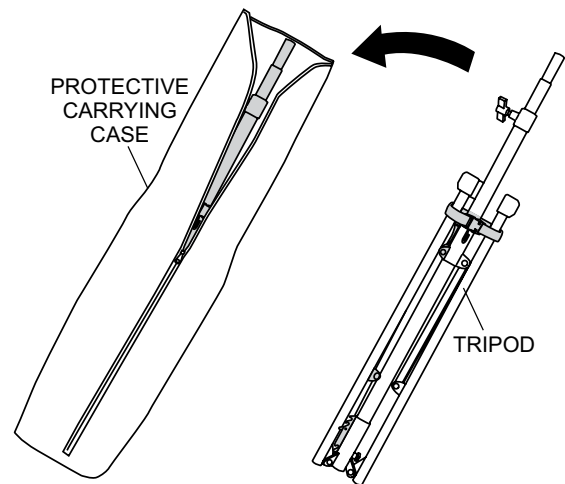


Figure 23. Carrying Case

REPLACING THE LAMP

NOTICE

Contact Multiquip Technical Support Department for assistance in replacing LED lamps.

REPLACING BALLOON ENVELOPE

1. Unzip the zipper (Figure 24) at the top and bottom of the balloon envelope (cover).

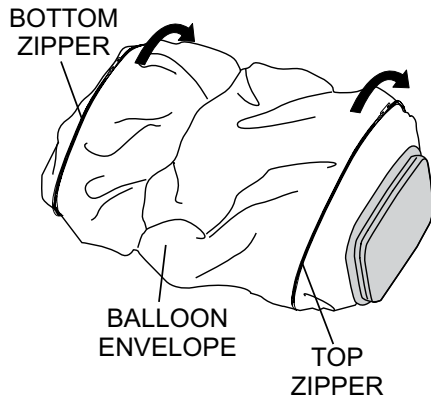


Figure 24. Unzipping the Balloon Envelope

2. Slide the old or worn balloon envelope (Figure 25) over the top of the lamp guard assembly.

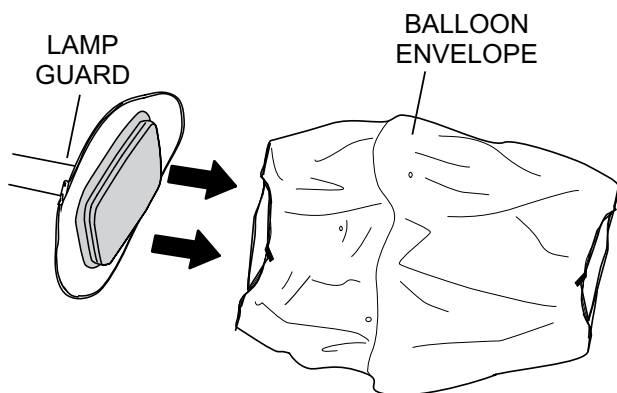


Figure 25. Removing the Balloon Envelope

3. Slide the new balloon (Figure 26) envelope over the top of the lamp guard assembly.

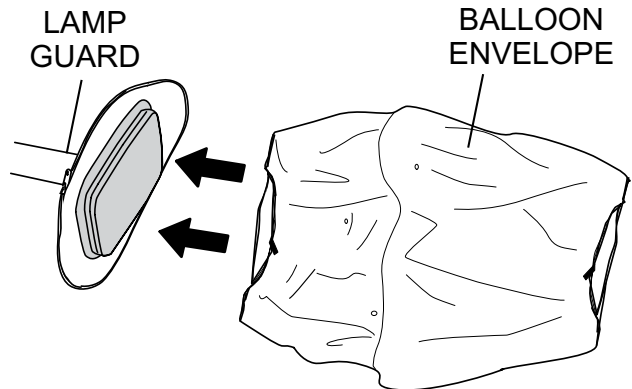


Figure 26. Installing New Balloon Envelope

4. Zip up the zipper (Figure 27) at the top and bottom of the balloon envelope (cover).

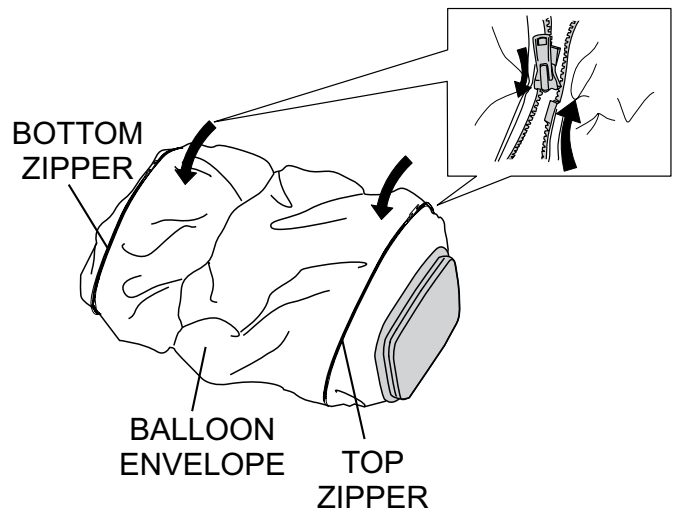


Figure 27. Zipping the Balloon Envelope

FILTER REPLACEMENT

1. Remove the balloon as described in the STORAGE section.
2. Turn the balloon/lamp assembly upside down to access the filter. See Figure 28.

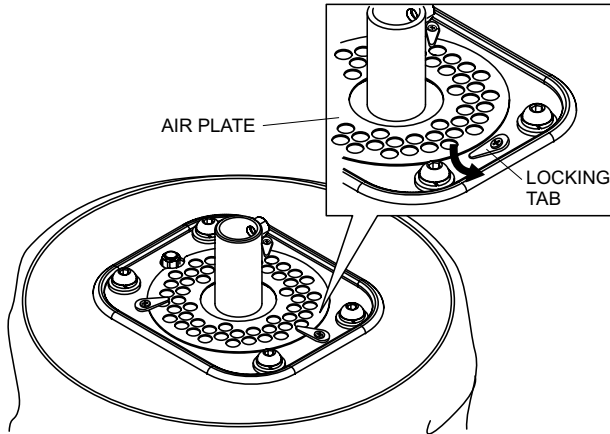


Figure 28. Accessing Filter

3. Turn the three locking tabs outwards to release the air plate. See Figure 28.
4. Remove the air plate and filter. See Figure 29.

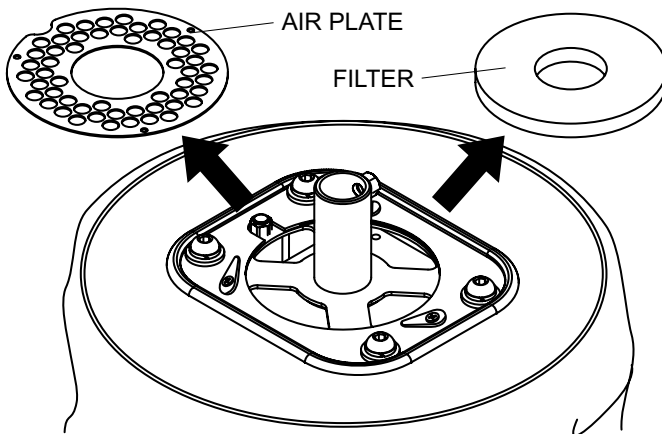


Figure 29. Filter Removal

5. Install a new filter and reinstall the air plate.

6. Turn the three locking tabs inwards to lock the air plate in place. See Figure 30.

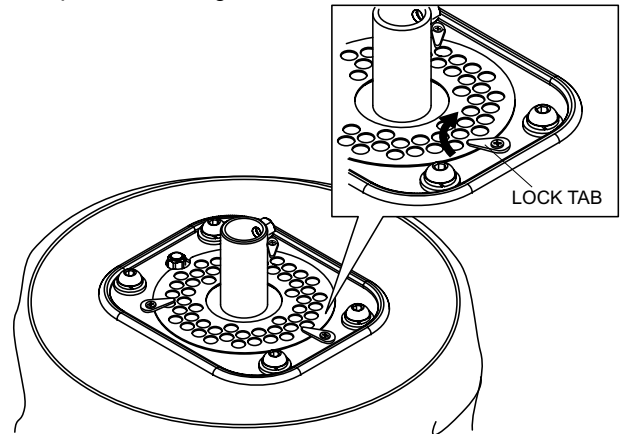


Figure 30. Locking Air Plate

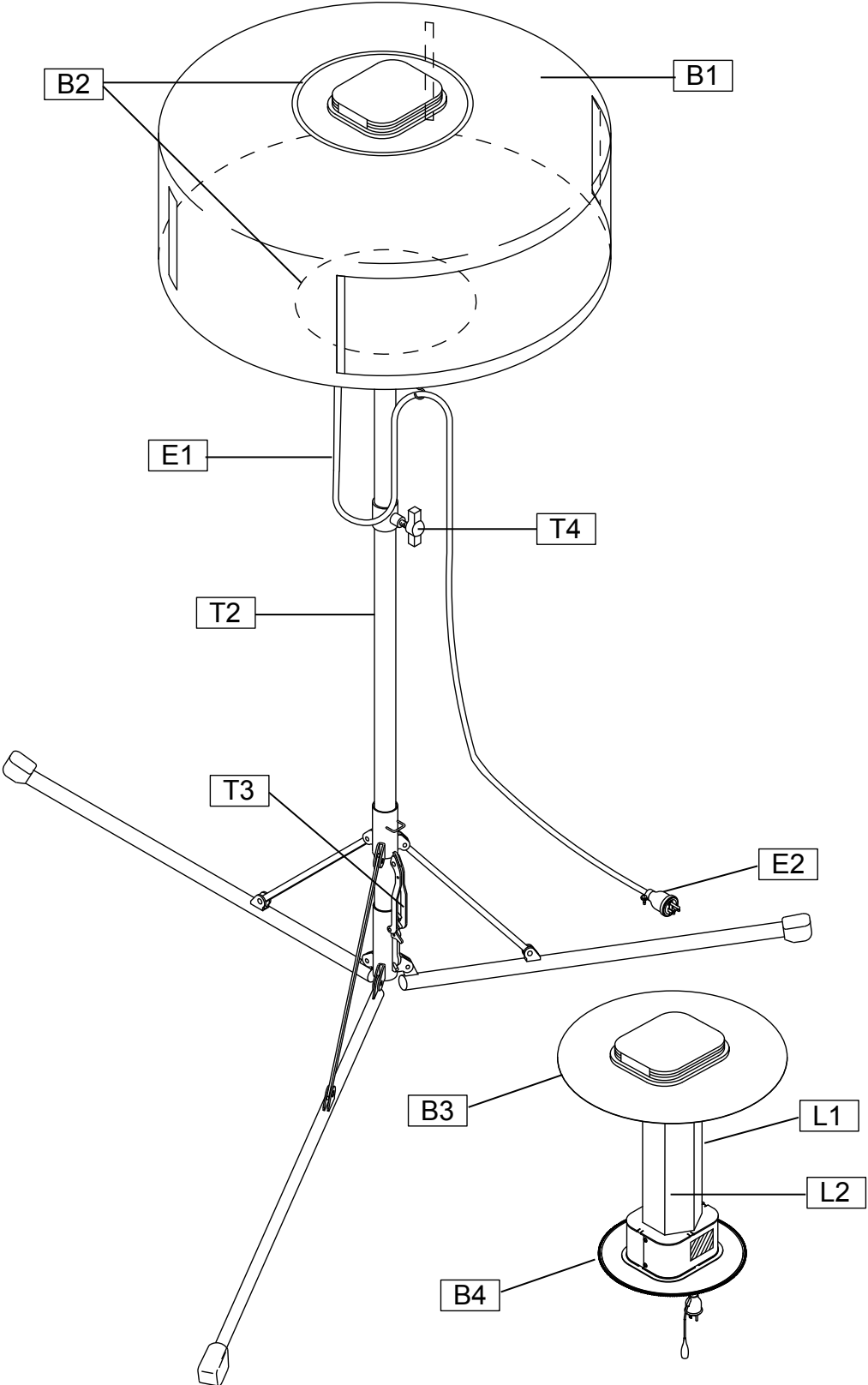


Figure 31. Maintenance Check Points

MAINTENANCE

For a prolonged life cycle an extended quality follow the recommended GloBug lighting system service guidelines as referenced in Figure 31 and Table 3.

Table 3. Periodic Check and Maintenance

Figure		Part	Check Item	Solution	
Lamp	L1	Lamp Guard	Dirty, rusty or damaged?	Clean/Replace	◆
	L2	LED Lamp	Defective or broken?	Replace	●
Balloon	B1	Balloon (Envelope)	Ripped or dirty?	Replace	●
	B2	Zipper	Broken?	Replace	●
	B3	Fan Motor (Blower)	Not working properly?	Replace	▲
	B4	T-Handle bolt (Balloon)	Broken?	Replace	●
Electric	E1	Power Cable	Defective or worn cable?	Replace.	●
	E2	Plug	Damaged?	Replace	■
Tripod	T1	Tripod	Damaged or not working properly?	Replace	■
	T2	Mast	Damaged or not working properly?	Replace	■
	T3	Knob	Damaged?	Replace	●
	T4	T-Handle bolt (Mast)	Damaged?	Replace	●
● - Daily Check ■ - Every 20 Hours ▲ -Every 100 Hours ◆- Every 500 Hours					

WIRING DIAGRAM

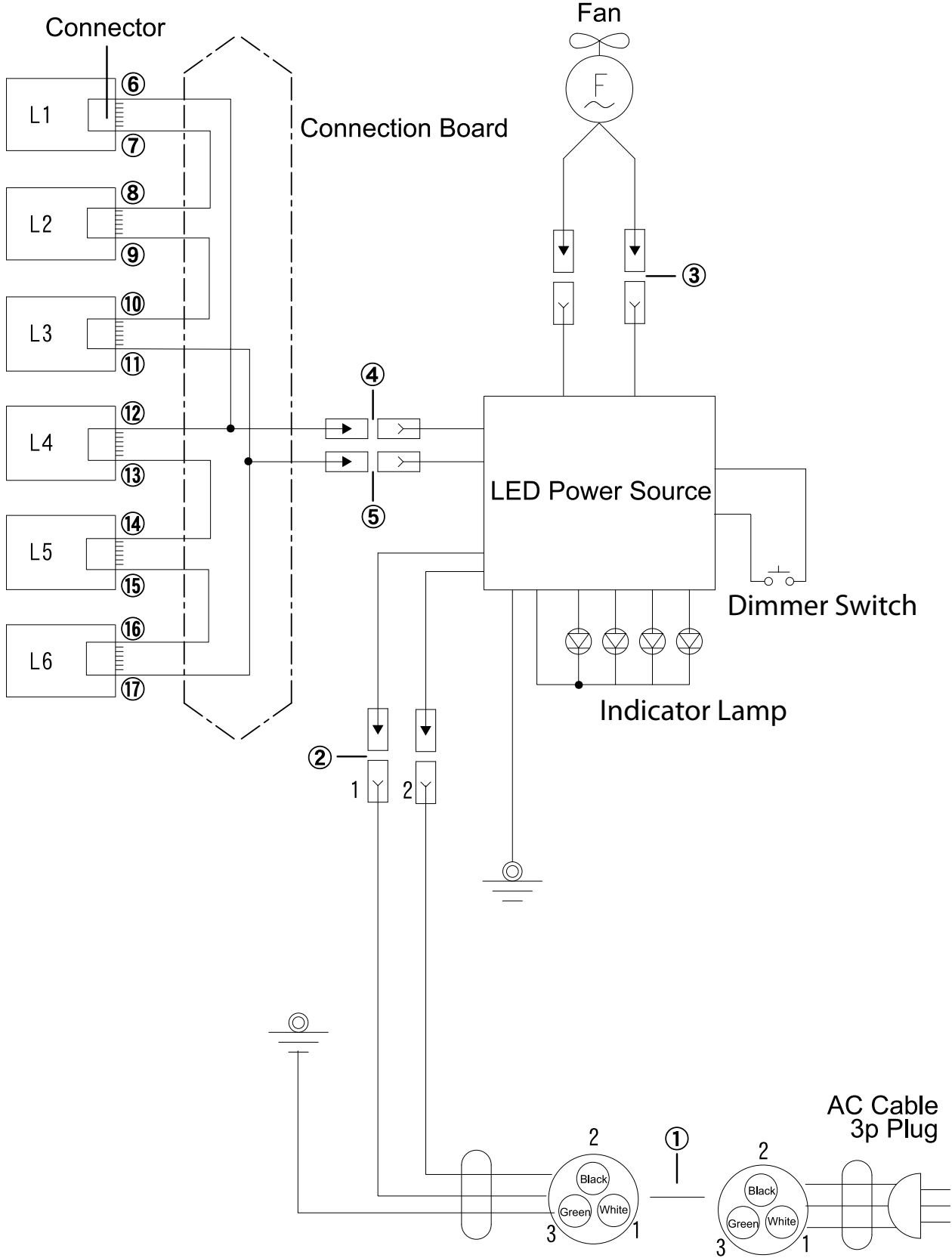


Figure 32. Electrical Wiring Diagram

TROUBLESHOOTING

Troubleshooting		
Symptom	Possible Problem	Solution
Lamp does not light.	Is plug connected?	Plug in correctly.
	Is generator's main switch turned off?	Turn on switch.
	Are any wire cables disconnected?	Connect disconnected wire cable.
	Are any other electric appliances (other than light tower) plugged into power source?	Unplug all other appliances.
	Is generator voltage not normal (standby voltage - 100 ± 5 V)?	Use proper voltage.
Balloon is not inflating.	Is zipper unzipped?	Zip balloon completely.
	Is fan motor not properly operating?	Inspect and repair fan motor if necessary.
	Is balloon torn?	Repair balloon.

OPERATION MANUAL

HERE'S HOW TO GET HELP

PLEASE HAVE THE MODEL AND SERIAL
NUMBER ON-HAND WHEN CALLING

UNITED STATES

Multiquip Inc.

(310) 537- 3700
6141 Katella Avenue Suite 200
Cypress, CA 90630
E-MAIL: mq@multiquip.com
WEBSITE: www.multiquip.com

CANADA

Multiquip

(450) 625-2244
4110 Industriel Boul.
Laval, Quebec, Canada H7L 6V3
E-MAIL: infocanada@multiquip.com

UNITED KINGDOM

Multiquip (UK) Limited Head Office

0161 339 2223
Unit 2, Northpoint Industrial Estate,
Globe Lane,
Dukinfield, Cheshire SK16 4UJ
E-MAIL: sales@multiquip.co.uk

© COPYRIGHT 2024, MULTIQUIP INC.

Multiquip Inc, the MQ logo are registered trademarks of Multiquip Inc. and may not be used, reproduced, or altered without written permission. All other trademarks are the property of their respective owners and used with permission.

This manual MUST accompany the equipment at all times. This manual is considered a permanent part of the equipment and should remain with the unit if resold.

The information and specifications included in this publication were in effect at the time of approval for printing. Illustrations, descriptions, references and technical data contained in this manual are for guidance only and may not be considered as binding. Multiquip Inc. reserves the right to discontinue or change specifications, design or the information published in this publication at any time without notice and without incurring any obligations.

