

PARTS MANUAL



GLOBUG SERIES

GB3LED (Tripod with Lamp)
SERIAL NO. G3200105 AND ABOVE

GB3LEDB (Lamp Only)
SERIAL NO. G3300046 AND ABOVE

Revision #3 (07/01/24)



To find the latest revision of this publication or associated operation manual, visit our website at: www.multiquip.com



THIS MANUAL MUST ACCOMPANY THE EQUIPMENT AT ALL TIMES.

GB3LED/GB3LEDB

Lighting System

Explanation Of Code In Remarks Column..... 4
Suggested Spare Parts 5

Component Drawings

Nameplate And Decals 6-7
Electrical Assy. (S/N G3200105 ~ G3200282)..... 8-9
Electrical Assy. (S/N G4200001 And Above) ... 10-13
Tripod Assembly 14-15
Mast Assembly 16-17

NOTICE
Specifications and part numbers are subject to change without notice.

EXPLANATION OF CODE IN REMARKS COLUMN

The following section explains the different symbols and remarks used in the Parts section of this manual. Use the help numbers found on the back page of the manual if there are any questions.

NOTICE

The contents and part numbers listed in the parts section are subject to change **without notice**. Multiquip does not guarantee the availability of the parts listed.

SAMPLE PARTS LIST

NO.	PART NO.	PART NAME	QTY.	REMARKS
1	12345	BOLT.....	1	INCLUDES ITEMS W/%
2%		WASHER, 1/4 IN.....		NOT SOLD SEPARATELY
2%	12347	WASHER, 3/8 IN....	1	MQ-45T ONLY
3	12348	HOSE		A/R ...MAKE LOCALLY
4	12349	BEARING	1	S/N 2345B AND ABOVE

NO. Column

Unique Symbols — All items with same unique symbol

(@, #, +, %, or >) in the number column belong to the same assembly or kit, which is indicated by a note in the “Remarks” column.

Duplicate Item Numbers — Duplicate numbers indicate multiple part numbers, which are in effect for the same general item, such as different size saw blade guards in use or a part that has been updated on newer versions of the same machine.

NOTICE

When ordering a part that has more than one item number listed, check the remarks column for help in determining the proper part to order.

PART NO. Column

Numbers Used — Part numbers can be indicated by a number, a blank entry, or TBD.

TBD (To Be Determined) is generally used to show a part that has not been assigned a formal part number at the time of publication.

A blank entry generally indicates that the item is not sold separately or is not sold by Multiquip. Other entries will be clarified in the “Remarks” Column.

QTY. Column

Numbers Used — Item quantity can be indicated by a number, a blank entry, or A/R.

A/R (As Required) is generally used for hoses or other parts that are sold in bulk and cut to length.

A blank entry generally indicates that the item is not sold separately. Other entries will be clarified in the “Remarks” Column.

REMARKS Column

Some of the most common notes found in the “Remarks” Column are listed below. Other additional notes needed to describe the item can also be shown.

Assembly/Kit — All items on the parts list with the same unique symbol will be included when this item is purchased.

Indicated by:

“INCLUDES ITEMS W/(unique symbol)”

Serial Number Break — Used to list an effective serial number range where a particular part is used.

Indicated by:

“S/N XXXXX AND BELOW”

“S/N XXXX AND ABOVE”

“S/N XXXX TO S/N XXX”

Specific Model Number Use — Indicates that the part is used only with the specific model number or model number variant listed. It can also be used to show a part is NOT used on a specific model or model number variant.

Indicated by:

“XXXXX ONLY”

“NOT USED ON XXXX”

“Make/Obtain Locally” — Indicates that the part can be purchased at any hardware shop or made out of available items. Examples include battery cables, shims, and certain washers and nuts.

“Not Sold Separately” — Indicates that an item cannot be purchased as a separate item and is either part of an assembly/kit that can be purchased, or is not available for sale through Multiquip.

SUGGESTED SPARE PARTS

GLOBUG LIGHTING SYSTEM

1 TO 3 UNITS

Qty.	P/N	Description
3.....	A300260400	LED HEATSINK ASSY. (S/N G3200105 - G3200282)
3.....	A300260402	LED HEATSINK ASSY (S/N G4200001 AND ABOVE)
2.....	A100015901	BALLOON CLOTH

NAMEPLATE AND DECALS

1

⚠ DANGER ELECTRICAL SHOCK HAZARD When replacing lamp and to prevent electrical shock, ALWAYS shut down the generator before replacing lamp. Remember to let lamp cool before removing.	⚠ WARNING HIGH VOLTAGE The electronic components generate high voltage. NEVER perform maintenance when connected to a power source.	⚠ WARNING BURN HAZARD To prevent burns, never touch lamp while lamp is on. Lamp surface gets extremely hot ALWAYS allow sufficient time for lamp to cool down before touching.
⚠ DANGER RISQUE DE CHOC ÉLECTRIQUE Lors du remplacement de la lampe et pour prévenir le risque de choc électrique, TOUJOURS éteindre le générateur avant de remplacer la lampe. Ne pas oublier de laisser la lampe se refroidir avant de l'enlever. Rappelez-vous de laisser la lampe refroidir avant de la remplacer. Utilisez uniquement le type de lampe recommandé dans le manuel.	⚠ HAUTE TENSION Les composants électroniques génèrent une haute tension. NE JAMAIS effectuer l'entretien lorsque l'éclairage est branché à une source d'alimentation.	⚠ AVERTISSEMENT RISQUE DE BRÛLURE Pour éviter les brûlures, NE JAMAIS toucher la lampe tant que celle-ci est allumée. La surface de la lampe devient extrêmement chaude ! TOUJOURS attendre un temps suffisant pour que la lampe se refroidisse avant d'y toucher.

2

★ LIGHT CONTROL
Push the button.
(300W → 200W → 100W → OFF)
★ SILENT MODE
Push the button for 2 seconds

13

WARNING
CANCER & REPRODUCTIVE HARM
www.P65Warnings.ca.gov
A-4004779-00

10

⚡ *Inside of Balloon

3

CAUTION / ATTENTION

- AC ONLY
- SUITABLE FOR WET LOCATIONS
- DO NOT SUBMERSE
- C.A. SEULEMENT
- CONVIENT AUX EMPLACEMENTS MOUILLÉS
- NE PAS IMMERGER

A-4000250-0

4

OFF 200W 100W 300W

6

ALWAYS hook the latch to prevent tipping.
Position supérieure
Position inférieure
A-4001567-01

7

TOUJOURS fermer au loquet pour éviter le basculement.
Position supérieure
Position inférieure
A-4003241-00

5

⚠ DANGER Globing INFORMATION To prevent globing NEVER touch the globe or globe cover while lamp is on. These surfaces are extremely hot ALWAYS allow sufficient time for bulb surface to cool down before touching the bulb. NEVER use an air blower or blowing machine. To avoid injury, you MUST read and understand operator's manual before using any blower machine. NE JAMAIS utiliser un ventilateur ou une pompe à souffler. Ne touchez jamais la surface du globe ou du globe couvert tant que la lampe est allumée. Ces surfaces sont extrêmement chaudes ! TOUJOURS attendre un temps suffisant pour que la surface du globe se refroidisse avant de le toucher. NE JAMAIS utiliser une soufflerie ou une machine à souffler. Avant d'utiliser toute soufflerie, vous devez lire et comprendre le manuel de l'opérateur avant d'utiliser cette machine.	⚠ DANGER Informations Globing Pour éviter les brûlures, NE JAMAIS toucher la lampe tant que celle-ci est allumée. La surface de la lampe devient extrêmement chaude ! TOUJOURS attendre un temps suffisant pour que la surface du globe se refroidisse avant d'y toucher. NE JAMAIS utiliser une soufflerie ou une pompe à souffler. Avant d'utiliser toute soufflerie, vous devez lire et comprendre le manuel de l'opérateur avant d'utiliser cette machine.	⚠ AVERTISSEMENT RISQUE DE BRÛLURE Pour éviter les brûlures, NE JAMAIS toucher la lampe tant que celle-ci est allumée. La surface de la lampe devient extrêmement chaude ! TOUJOURS attendre un temps suffisant pour que la surface du globe se refroidisse avant d'y toucher. NE JAMAIS utiliser une soufflerie ou une pompe à souffler. Avant d'utiliser toute soufflerie, vous devez lire et comprendre le manuel de l'opérateur avant d'utiliser cette machine.
⚠ DANGER ELECTRICAL SHOCK HAZARD NEVER operate any of the Globing Lighting System with standing water, while raining, with heavy ice wet, or in the rain without proper protection. NE JAMAIS utiliser le système d'éclairage avec de l'eau, pendant la pluie, avec de la neige ou de la pluie sans la protection appropriée.	⚠ DANGER RISQUE DE CHOC ÉLECTRIQUE NE JAMAIS utiliser ce système d'éclairage avec de l'eau, pendant la pluie, avec de la neige ou de la pluie sans la protection appropriée.	⚠ AVERTISSEMENT RISQUE DE CHOC ÉLECTRIQUE NE JAMAIS utiliser ce système d'éclairage avec de l'eau, pendant la pluie, avec de la neige ou de la pluie sans la protection appropriée.
⚠ CAUTION NE JAMAIS utiliser sans avoir fermé le loquet. La possibilité de basculement est présente.	⚠ ATTENTION NE JAMAIS utiliser sans avoir fermé le loquet. La possibilité de basculement est présente.	⚠ ATTENTION NE JAMAIS utiliser sans avoir fermé le loquet. La possibilité de basculement est présente.

9

A-0000466-00

11

MQ GloBug Lighting System
MULTIQUIP

12

⚠ DANGER
NE JAMAIS utiliser sans avoir fermé le loquet. La possibilité de basculement est présente.

DÉPLOYER L'ENSEMBLE DE L'ÉTABLI

- Détacher la bande et tirer les pattes vers le bas au niveau de l'extrémité.
- Soulever le mât pour attacher le loquet.

RELÂCHER

- Soulever le mât et tirer la bande vers le haut pour déverrouiller le loquet.
- Tirer la bande vers le haut tout en tenant la patte jusqu'à ce que les pattes soient mises en position de rangement.

BANDE LOQUET
Position supérieure
Position inférieure
A-4003243-00

8

⚠ DANGER
NEVER use without hooking the latch. The possibility exists of tipping.

WORKSTAND DEPLOYMENT

SET

- Unfasten the band and pull legs downward at the tip end.
- Lift up the mast to hook the latch.

RELEASE

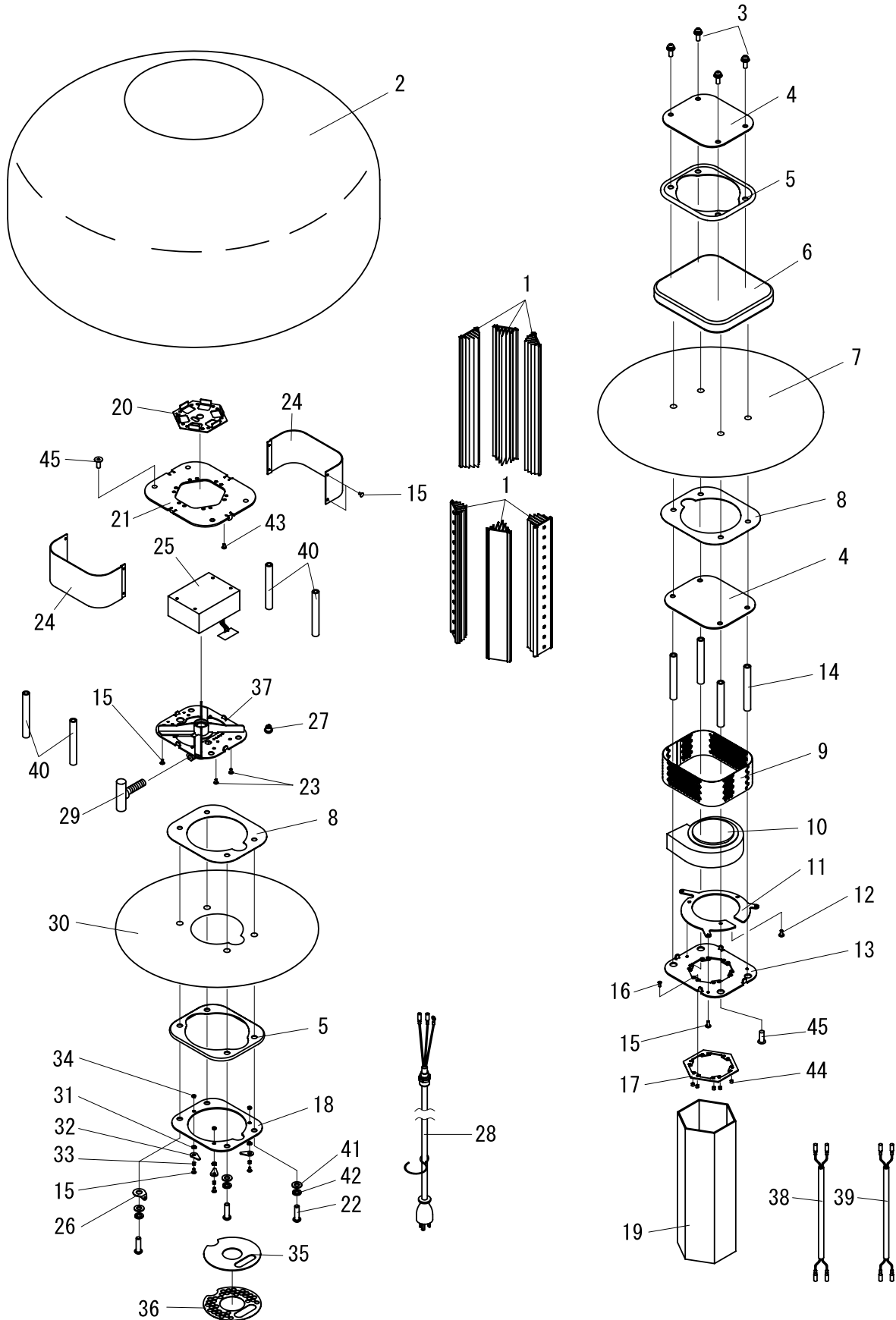
- Lift up the mast and pull the band upward to unhook the latch.
- Pull the band upward with holding the leg until the legs place in slow position.

A-4001943-00

NAMEPLATE AND DECALS

<u>NO.</u>	<u>PART NO.</u>	<u>PART NAME</u>	<u>QTY.</u>	<u>REMARKS</u>
1	A400325101	DECAL; ELECTRIC SHOCK/BURN	1	
2	A400340901	DECAL; LIGHT CONTROL	1	
3	A400325001	DECAL; CAUTION, CSA.....	1.....	S/N G3200105 - G4200000
3	A400325000	DECAL; CAUTION, CSA.....	1.....	S/N G4200001 AND ABOVE
4	A400287600	DECAL; DIMMER SWITCH LEDS	1	
5	A400324801	DECAL; MAST	1	
6	A400166701	DECAL; HOOK LATCH, ENGLISH	1	
7	A400324100	DECAL; HOOK LATCH, FRENCH	1	
8	A400194100	DECAL; WORKSTAND DEPLOYMENT, EN	1	
9	A400290802	DECAL; GB3LED	1	
10	A400372800	DECAL; GROUND	2	
11	A400193300	DECAL; NAME, GLOBUG	1	
12	A400324300	DECAL; WORKSTAND DEPLOYMENT, FR	1	
13	A400477900	DECAL; WARNING, CALIFORNIA-P65	1	

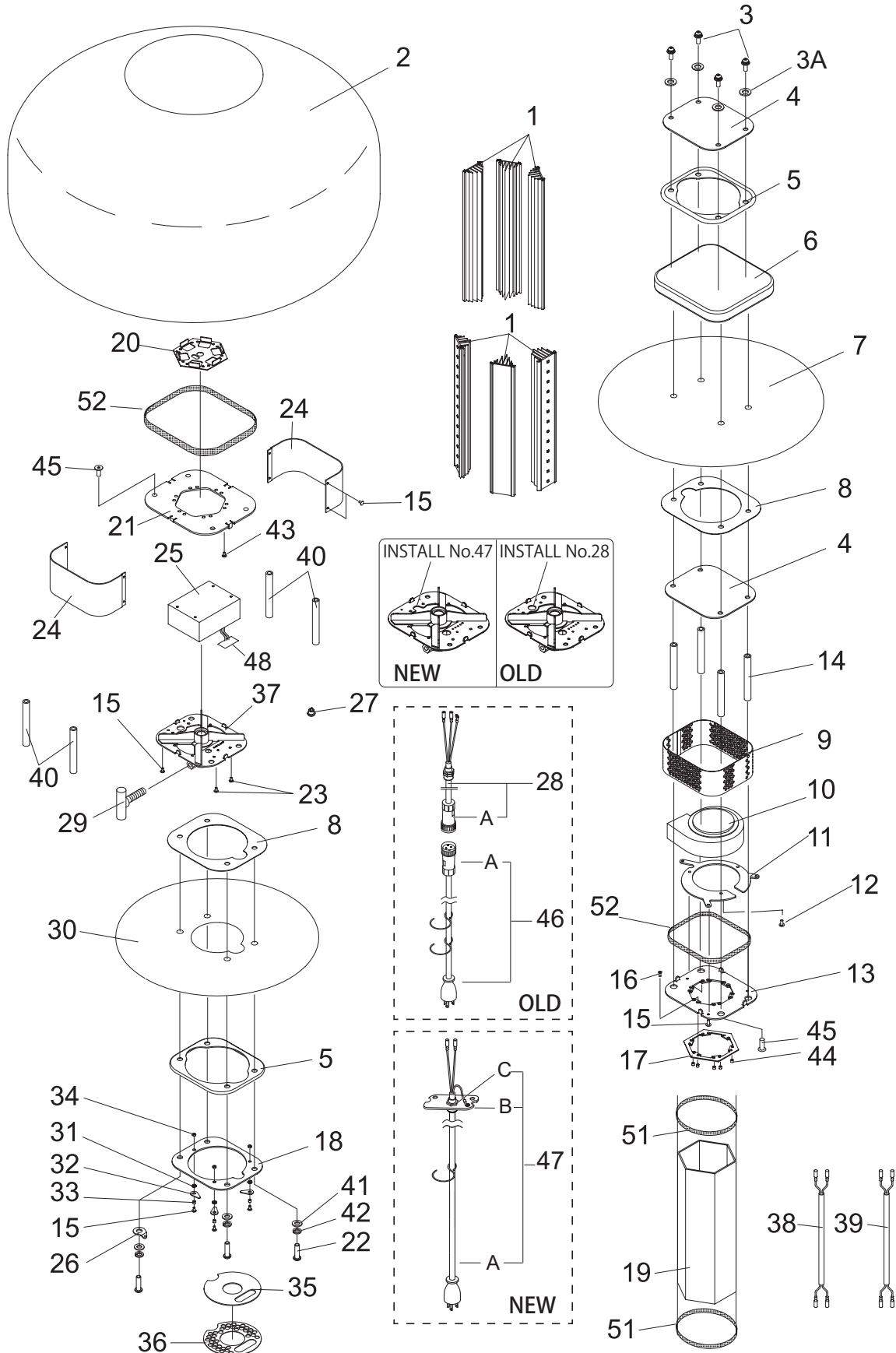
ELECTRICAL ASSY. (S/N G3200105 ~ G3200282)



ELECTRICAL ASSY. (S/N G3200105 ~ G3200282)

<u>NO.</u>	<u>PART NO.</u>	<u>PART NAME</u>	<u>QTY.</u>	<u>REMARKS</u>
1	A300260400	LED HEATSINK ASSY.	6	
2	A100015901	BALLOON CLOTH COMPLETE	1	
3	0014808025	BUTTON SCREW, M8X25	4	
4	A300257000	PLATE, TOP	2	
5	A300162400	SEAL, PACKING	2	
6	A100106100	BALLOON COVER, BLACK-LED COMPLETE	1	
7	A300160301	SHEET, TOP COMPLETE	1	
8	2214500230	SEAL, FLAT	2	
9	A300238101	VESSEL, TOP	1	
10	A300280600	FAN MOTOR ASSY.	1	
11	A300281401	PLATE, FAN	1	
12	0023204006	SCREW, M4X6	3	
13	A300247701	PLATE, LAMP TOP	1	
14	A400299600	SPACER, TOP	4	
15	0024304008	SCREW, M4X8	15	
16	0023204012	COUNTERSUNK SCREW, M4X12	12	
17	A400295300	STOPPER, GUARD	1	
18	A300256700	PLATE, BOTTOM	1	
19	A300243602	GUARD	1	
20	A300260100	ADAPTER BOARD COMPLETE	1	
21	A300249801	PLATE, LAMP	1	
22	0014708035	BUTTON SCREW, M8X35	4	
23	0023203005	SCREW, M3X5	2	
24	A300180600	VESSEL 2	2	
25	A300281200	LED POWER SUPPLY COMPLETE	1	
26	2204510110	WASHER	1	
27	A400329900	DIMMING SWITCH COMPLETE	1	
28	A300181900	POWER CABLE COMPLETE, US	1	
29	A400209801	KNOB	1	
30	A300148200	SHEET, BOTTOM	1	
31	E000119300	WASHER, M4	3	
32	A400030700	STOPPER, FILTER	3	
33	E000077500	SPACER	3	
34	0033104000	NUT, M4	5	
35	A400273800	FILTER	1	
36	A300244600	PLATE, AIR	1	
37	A200105100	FLANGE COMPLETE, LED	1	
38	A400305000	WIRE, FAN COMPLETE	1	
39	A400331100	WIRE, FAN-VC COMPLETE	1	
40	A400281700	SPACER, BOTTOM	4	
41	0043108000	WASHER, M8	4	
42	030208200	WASHER, LOCK M8.....	4	REPLACES 0043208000
43	0023304015	SCREW AND WASHER, M4X12	12	
44	E000122300	SPACER	12	
45	E000119600	BOLT, M8X20	8	

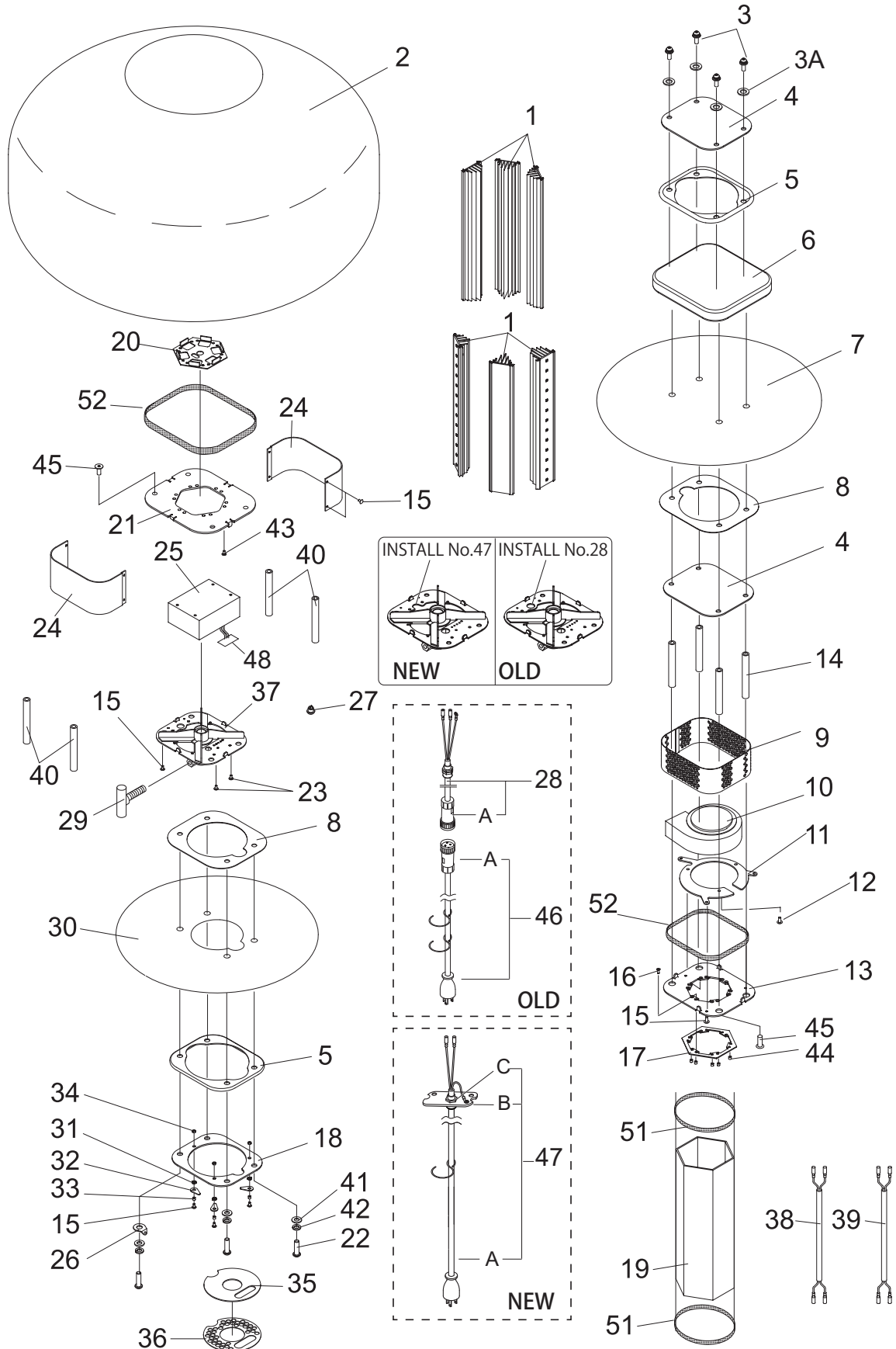
ELECTRICAL ASSY. (S/N G4200001 AND ABOVE)



ELECTRICAL ASSY. (S/N G4200001 AND ABOVE)

<u>NO.</u>	<u>PART NO.</u>	<u>PART NAME</u>	<u>QTY.</u>	<u>REMARKS</u>
1	A300260402	LED HEATSINK ASSY.	6	
2	A100104800	BALLOON CLOTH COMPLETE	1	
3	0014708025	BUTTON SCREW, M8X25	4	
3A	E000132100	BONDED WASHER 8X19X4.1	4	
4	A300257000	PLATE, TOP	2	
5	A300162400	SEAL, PACKING (GB3LED)	2	S/N US420142 AND BELOW
5	A300162400	SEAL, PACKING (GB3LEDB)	2	S/N US430005 AND BELOW
5	A300162402	SEAL, PACKING (GB3LED)	2	S/N US420143 AND ABOVE
5	A300162402	SEAL, PACKING (GB3LEDB)	2	S/N US430006 AND ABOVE
6	A100106103	BALLOON COVER, RED-LED COMPLETE	1	
7	A300160302	SHEET, TOP COMPLETE	1	
8	2214500230	SEAL, FLAT	2	
9	A300238101	VESSEL, TOP	1	
10	A300411300	FAN MOTOR ASSY.	1	
11	A300281401	PLATE, FAN	1	
12	0023204006	SCREW, M4X6	3	
13	A300247702	PLATE, LAMP TOP	1	
14	A400299600	SPACER, TOP	4	
15	0024304008	SCREW, M4X8	11	
16	0023204012	COUNTERSUNK SCREW, M4X12	12	
17	A400295300	STOPPER, GUARD	1	
18	A300256702	PLATE, BOTTOM	1	
19	A300243602	GUARD	1	
20	A300260101	ADAPTER BOARD COMPLETE	1	
21	A300249802	PLATE, LAMP	1	
22	0014708035	BUTTON SCREW, M8X35	4	
23	0023203005	SCREW, M3X5	2	
24	A300180600	VESSEL 2	2	
25	A000090402	LED POWER SUPPLY COMPLETE	1	INCLUDES ITEMS W/#
26	2204510110	WASHER	2	
27	A400329901	DIMMING SWITCH COMPLETE	1	
28	A300315800	POWER CABLE COMPLETE, US	1	
28A	E000116200	CONNECTOR	1	
29	A400209803	KNOB	1	
30	A300148201	SHEET, BOTTOM	1	
31	E000119300	WASHER, M4	3	
32	A400030700	STOPPER, FILTER	3	
33	E000077500	SPACER	3	
34	0033104000	NUT, M4	5	
35	A400273800	FILTER	1	
36	A300244600	PLATE, AIR	1	
37	A200087400	FLANGE, LED	1	INSTALL ITEM 29
37	A200153502	FLANGE, LED	1	INSTALL ITEM 50
38	A400305001	WIRE, FAN COMPLETE	1	
39	A400331100	WIRE, FAN-VC COMPLETE	1	
40	A400281700	SPACER, BOTTOM	4	

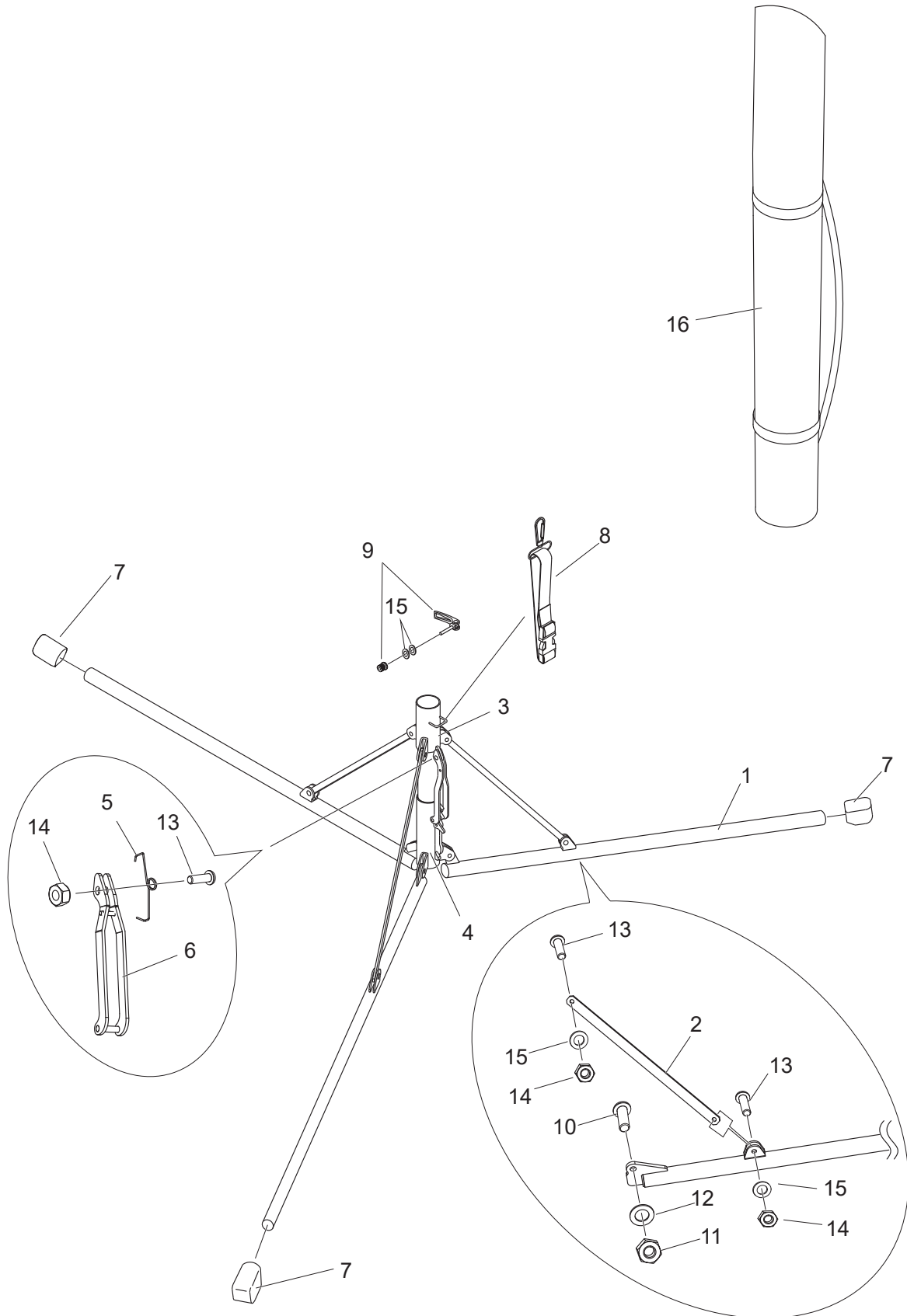
ELECTRICAL ASSY. (S/N G4200001 AND ABOVE) CONT'D.



ELECTRICAL ASSY. (S/N G4200001 AND ABOVE) CONT'D.

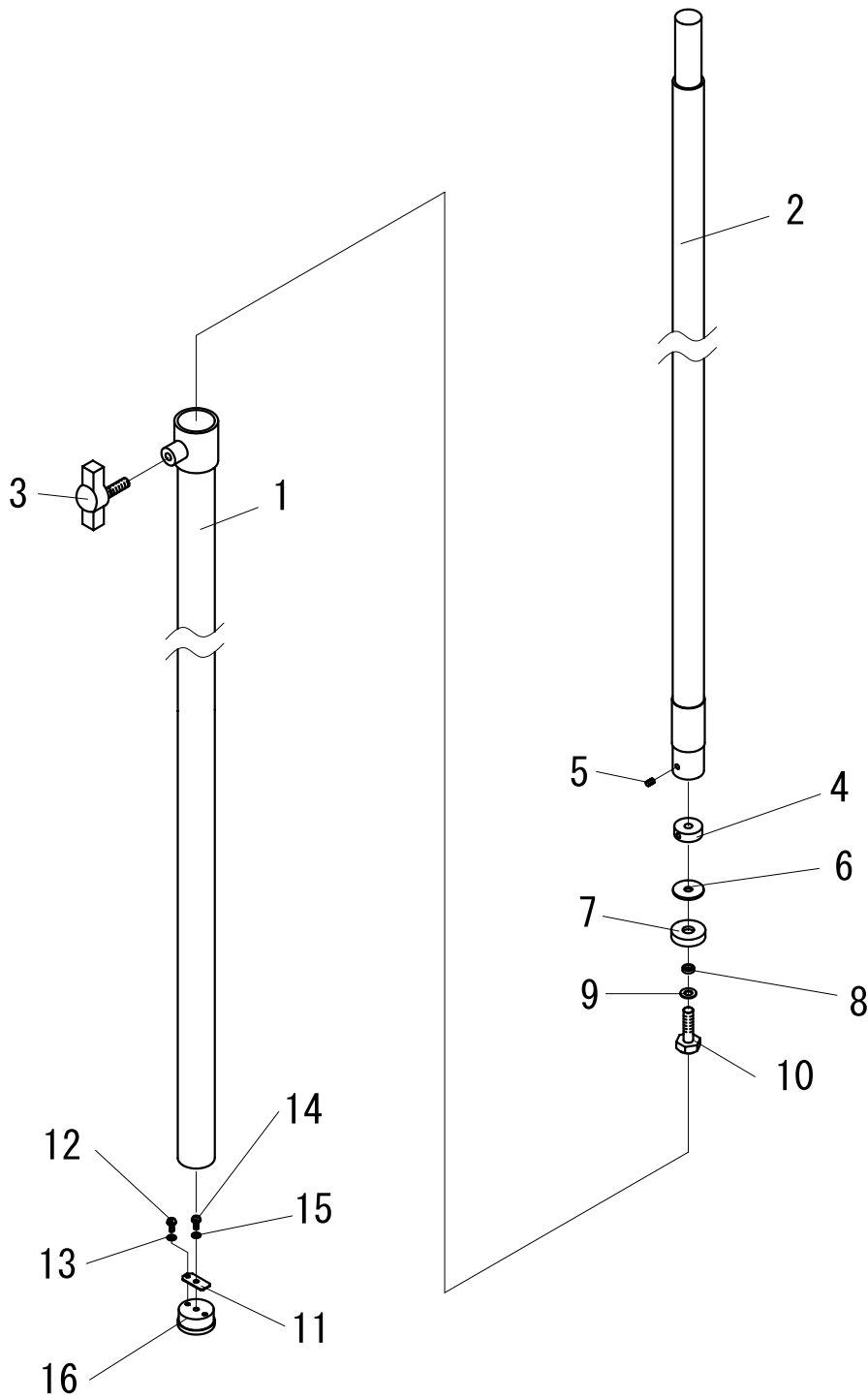
<u>NO.</u>	<u>PART NO.</u>	<u>PART NAME</u>	<u>QTY.</u>	<u>REMARKS</u>
41	0043108000	WASHER, M8	4	
42	030208200	WASHER, LOCK M8.....	4.....	REPLACES 0043208000
43	0023304015	SCREW AND WASHER, M4X15	15	
44	E000122300	SPACER	12	
45	E000119600	BOLT, M8X20	8	
46	A300315900	POWER CABLE COMPLETE, US	1	
46A	E000116300	CONNECTOR	1	
46B	E000028200	S-HOOK	2	
47	A000098400	POWER CABLE ASSY. (US)	1.....	INCLUDES ITEMS W/\$
47A\$	A300333800	POWER CABLE (US)	1	
47B\$	A400495102	PLATE, CABLE	1	
47C\$	E000130200	CABLE GLAND	1	
48#	A000079100	DIMMING BOARD COMPLETE (300)	1	
51	A400340701	PACKING, GUARD	2	
52	A300310600	PACKING, PLATE	2	

TRIPOD ASSY.



TRIPOD ASSY.

<u>NO.</u>	<u>PART NO.</u>	<u>PART NAME</u>	<u>QTY.</u>	<u>REMARKS</u>
1	A300171601	PIPE, BASE	3	
2	A300113103	STAY	3	
3	A300199600	BASE PIPE 2	1	
4	A300199500	BASE PIPE 1	1	
5	A400205901	SPRING, SHACKLE	1	
6	A300108700	SHACKLE COMPLETE	1	
7	1641000330	RUBBER FOOT	3	
8	A300106500	TRIPOD BAND	1	S/N G3200105 - G4200000
8	E000140900	TRIPOD BAND	1	S/N G4200001 AND ABOVE
9	2212780310	LEVER, CLAMP W/ NUT	1	
10	0014710025	SCREW, M10X25	3	
11	0033210000	SELF LOCK NUT, M10	3	
12	0043110000	WASHER, M10	3	
13	0014708025	SCREW, M8X25	7	
14	0033208000	SELF LOCK NUT, M8	7	
15	0043108000	WASHER, M8	8	
16	A000119100	CARRY CASE, TRIPOD	1	



MAST ASSY.

<u>NO.</u>	<u>PART NO.</u>	<u>PART NAME</u>	<u>QTY.</u>	<u>REMARKS</u>
1	A300200300	FIRST MAST ASSY.	1	
2	A300200600	SECOND MAST ASSY.	1	
3	A400187602	KNOB	1	
4	A400229900	BOTTOM PLATE	1	
5	0021805008	SET SCREW, M5X8	2	
6	A400200500	WASHER, SECOND MAST	1	
7	A400200700	RUBBER, MAST	1	
8	A400110200	WASHER, MAST 1	1	
9	A400092801	WASHER SECOND MAST	1	
10	0013108030	BOLT, M8X30	1	
11	A400112700	LEAF VALVE	1	
12	0023105008	SCREW, M5X8	1	
13	0043105000	WASHER, M5	1	
14	0023104008	SCREW, M4X8	1	
15	0043104000	WASHER, M4	1	
16	A400199700	PLUG	1	

PARTS MANUAL

HERE'S HOW TO GET HELP

PLEASE HAVE THE MODEL AND SERIAL
NUMBER ON-HAND WHEN CALLING

UNITED STATES

Multiquip Inc.

(310) 537- 3700
6141 Katella Avenue Suite 200
Cypress, CA 90630
E-MAIL: mq@multiquip.com
WEBSITE: www.multiquip.com

CANADA

Multiquip

(450) 625-2244
4110 Industriel Boul.
Laval, Quebec, Canada H7L 6V3
E-MAIL: infocanada@multiquip.com

UNITED KINGDOM

Multiquip (UK) Limited Head Office

0161 339 2223
Unit 2, Northpoint Industrial Estate,
Globe Lane,
Dukinfield, Cheshire SK16 4UJ
E-MAIL: sales@multiquip.co.uk

© COPYRIGHT 2024, MULTIQUIP INC.

Multiquip Inc, the MQ logo are registered trademarks of Multiquip Inc. and may not be used, reproduced, or altered without written permission. All other trademarks are the property of their respective owners and used with permission.

This manual MUST accompany the equipment at all times. This manual is considered a permanent part of the equipment and should remain with the unit if resold.

The information and specifications included in this publication were in effect at the time of approval for printing. Illustrations, descriptions, references and technical data contained in this manual are for guidance only and may not be considered as binding. Multiquip Inc. reserves the right to discontinue or change specifications, design or the information published in this publication at any time without notice and without incurring any obligations.

