

PARTS MANUAL



GloBug
MODEL GB43LED
LIGHTING SYSTEM
SERIAL NO. G4100154 AND ABOVE

Revision #5 (01/24/25)

To find the latest revision of this publication or associated operation manual, visit our website at: www.multiquip.com



THIS MANUAL MUST ACCOMPANY THE EQUIPMENT AT ALL TIMES.

**GB43LED
Lighting System**

Explanation Of Code In Remarks Column..... 4
Suggested Spare Parts 5

Component Drawings

Nameplate And Decals 6-7
Base Plate Assembly 8-9
LED Lamp Assy. (S/N G4100153 And Below).... 10-11
LED Lamp Assy. (S/N G4100154 And Above)... 12-13
Front Cover Assembly (With Fan) 14-15
Front Cover Assembly (With Out Fan)..... 16-17
Cable And Switch Assembly 18-19
Main Mast Assembly..... 20-21
T-Handle Assembly..... 22-23
Steering Assembly 24-25
Outrigger Assembly 26-27
Mast Adapter Assembly 28-29
Mast Section Assembly 30-31

NOTICE
Specifications and part numbers are subject to change without notice.

EXPLANATION OF CODE IN REMARKS COLUMN

The following section explains the different symbols and remarks used in the Parts section of this manual. Use the help numbers found on the back page of the manual if there are any questions.

NOTICE

The contents and part numbers listed in the parts section are subject to change without notice. Multiquip does not guarantee the availability of the parts listed.

SAMPLE PARTS LIST

NO.	PART NO.	PART NAME	QTY.	REMARKS
1	12345	BOLT	1	INCLUDES ITEMS W/%
2%		WASHER, 1/4 IN.		NOT SOLD SEPARATELY
2%	12347	WASHER, 3/8 IN. ...	1	MQ-45T ONLY
3	12348	HOSE	A/R	MAKE LOCALLY
4	12349	BEARING	1	S/N 2345B AND ABOVE

NO. Column

Unique Symbols — All items with same unique symbol (@, #, +, %, or >) in the number column belong to the same assembly or kit, which is indicated by a note in the “Remarks” column.

Duplicate Item Numbers — Duplicate numbers indicate multiple part numbers, which are in effect for the same general item, such as different size saw blade guards in use or a part that has been updated on newer versions of the same machine.

NOTICE

When ordering a part that has more than one item number listed, check the remarks column for help in determining the proper part to order.

PART NO. Column

Numbers Used — Part numbers can be indicated by a number, a blank entry, or TBD.

TBD (To Be Determined) is generally used to show a part that has not been assigned a formal part number at the time of publication.

A blank entry generally indicates that the item is not sold separately or is not sold by Multiquip. Other entries will be clarified in the “Remarks” Column.

QTY. Column

Numbers Used — Item quantity can be indicated by a number, a blank entry, or A/R.

A/R (As Required) is generally used for hoses or other parts that are sold in bulk and cut to length.

A blank entry generally indicates that the item is not sold separately. Other entries will be clarified in the “Remarks” Column.

REMARKS Column

Some of the most common notes found in the “Remarks” Column are listed below. Other additional notes needed to describe the item can also be shown.

Assembly/Kit — All items on the parts list with the same unique symbol will be included when this item is purchased.

Indicated by:

“INCLUDES ITEMS W/(unique symbol)”

Serial Number Break — Used to list an effective serial number range where a particular part is used.

Indicated by:

“S/N XXXXX AND BELOW”

“S/N XXXX AND ABOVE”

“S/N XXXX TO S/N XXX”

Specific Model Number Use — Indicates that the part is used only with the specific model number or model number variant listed. It can also be used to show a part is NOT used on a specific model or model number variant.

Indicated by:

“XXXXX ONLY”

“NOT USED ON XXXX”

“Make/Obtain Locally” — Indicates that the part can be purchased at any hardware shop or made out of available items. Examples include battery cables, shims, and certain washers and nuts.

“Not Sold Separately” — Indicates that an item cannot be purchased as a separate item and is either part of an assembly/kit that can be purchased, or is not available for sale through Multiquip.

SUGGESTED SPARE PARTS

GB43LED LIGHTING SYSTEM

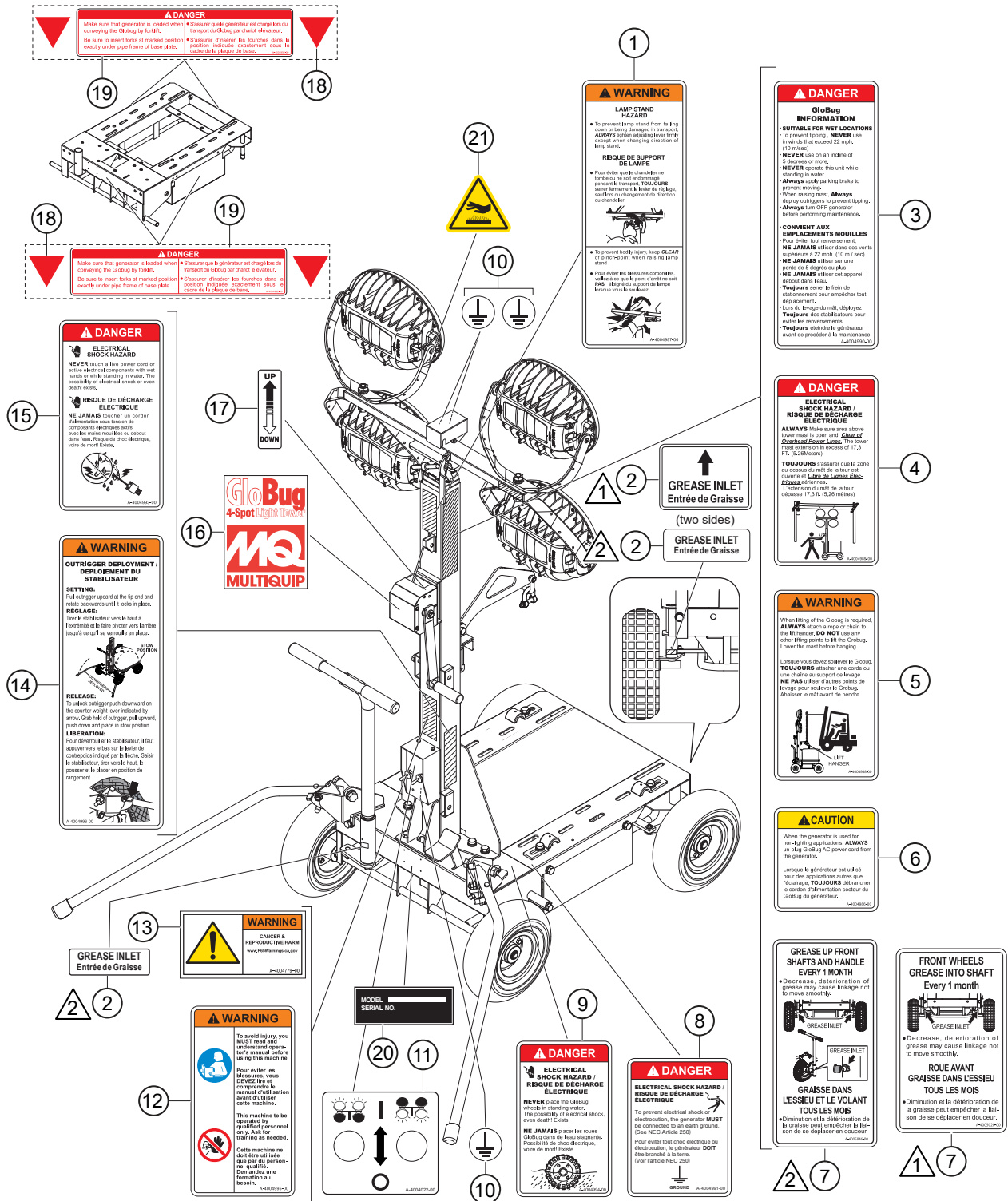
1 to 3 units

Qty.	P/N	Description
3.....	A000094800	LAMP UNIT ASSY., RIGHT (S/N G4100153 AND BELOW)
3.....	A000120400	LAMP UNIT ASSY., RIGHT (S/N G4100154 AND ABOVE)
3.....	A000094700	LAMP UNIT ASSY., LEFT (S/N G4100153 AND BELOW)
3.....	A000120300	LAMP UNIT ASSY., LEFT (S/N G4100154 AND ABOVE)
1.....	A000060602	FRONT COVER ASSY., (S/N G4100153 AND BELOW)
1.....	A100181300	LENS COVER, (S/N G4100154 AND ABOVE)

NOTICE

Part numbers on this Suggested Spare Parts list may supersede/replace the part numbers shown in the following parts lists.

NAMEPLATE AND DECALS



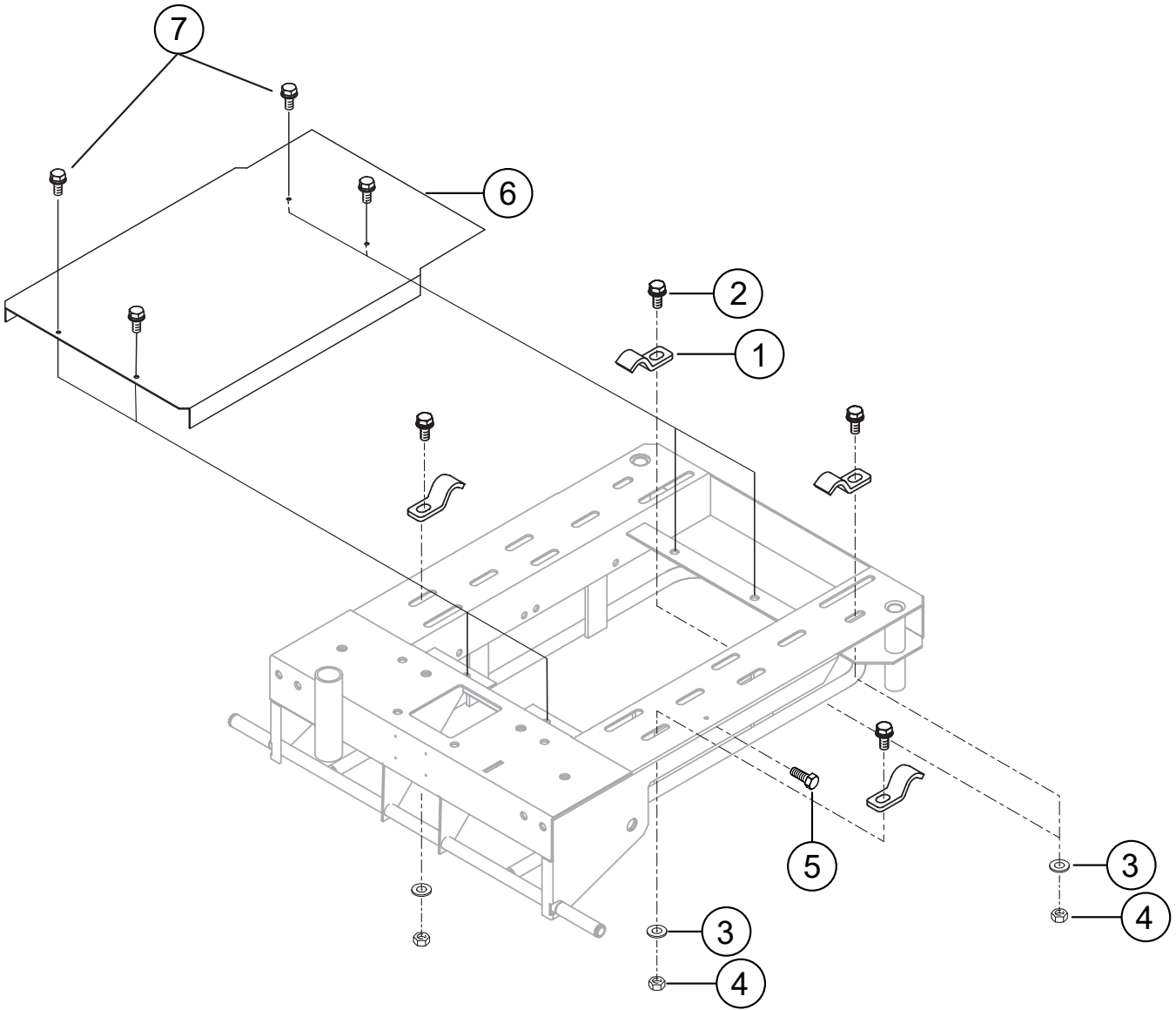
NOTES:

- 1 FOR SERIAL G4100153 AND BELOW.
- 2 FOR SERIAL G4100154 AND ABOVE.

NAMEPLATE AND DECALS

<u>NO.</u>	<u>PART NO.</u>	<u>PART NAME</u>	<u>QTY.</u>	<u>REMARKS</u>
1	A400498700	DECAL; WARNING, LAMP STAND HAZARD, CSA	1	
2	A400501900	DECAL; GREASE INLET, CSA.....	2.....	S/N G4100153 AND BELOW
2	A400501901	DECAL; GREASE INLET.....	3.....	S/N G4100154 AND ABOVE
3	A400499000	DECAL; DANGER, GLOBUG INFORMATION, CSA	1	
4	A400498900	DECAL; DANGER ELECTRIC SHOCK (GLOBUG), CSA	1	
5	A400498800	DECAL; WARNING, LIFT HANGER, CSA	1	
6	A400261700	DECAL; CAUTION, REMOVE POWER CORD, CSA	1	
7	A400502000	DECAL; FRONT WHEELS GREASE INTO SHAFT, CSA	1	
7	A400584600	DECAL; FRONT WHEELS GREASE INTO SHAFT.....	1.....	S/N G4100154 AND ABOVE
8	A400499100	DECAL; DANGER, ELECTRICAL SHOCK (GND), CSA	1	
9	A400499400	DECAL; DANGER, ELECTRICAL SHOCK (TIRES), CSA	1	
10	A400372800	DECAL; GROUND, Ø10 WHITE	3	
11	A400402200	DECAL; LIGHT SWITCH ON/OFF	1	
12	A400499500	DECAL; WARNING, READ MANUAL, CSA	1	
13	A400477900	DECAL; WARNING, PROPOSITION 65	1	
14	A400499600	DECAL; WARNING, OUTRIGGER DEPLOYMENT, CSA	1	
15	A400499300	DECAL; DANGER, ELECTRICAL SHOCK (CORDS), CSA	1	
16	A400480600	DECAL; MQ LOGO	1	
17	A400262700	DECAL; WINCH UP/DOWN	1	
18	A400111200	DECAL; TRIANGLE	8	
19	A400499200	DECAL; DANGER, INSERT FORKLIFT, CSA	4	
20		NAMEPLATE.....	1.....	CONTACT MQ PARTS DEPT.
21	A400492200	DECAL; BURN HAZARD.....	8.....	S/N G4100154 AND ABOVE

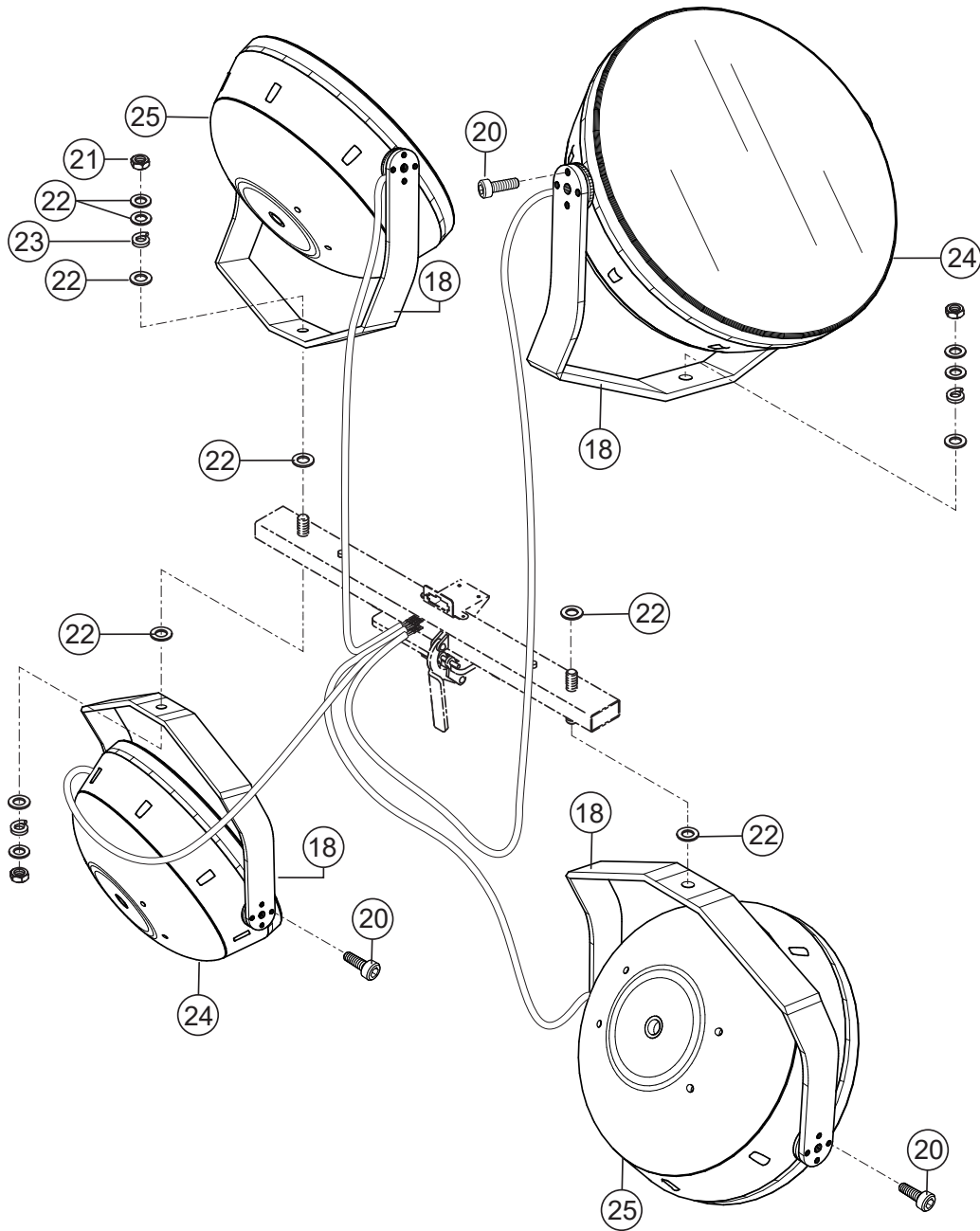
BASE PLATE ASSY.



BASE PLATE ASSY.

<u>NO.</u>	<u>PART NO.</u>	<u>PART NAME</u>	<u>QTY.</u>	<u>REMARKS</u>
1	A400166400	LOCKING CLAMP	4	
2	0013512025	BOLT AND WASHER, M12X25	4	
3	0043112000	WASHER, M12	4	
4	0033112000	NUT, M12	4	
5	0013106010	BOLT, M6X10	1	
6	A100147100	PLATE, BALLAST	1	
7	0013510025	BOLT AND WASHER, M10X25	4	

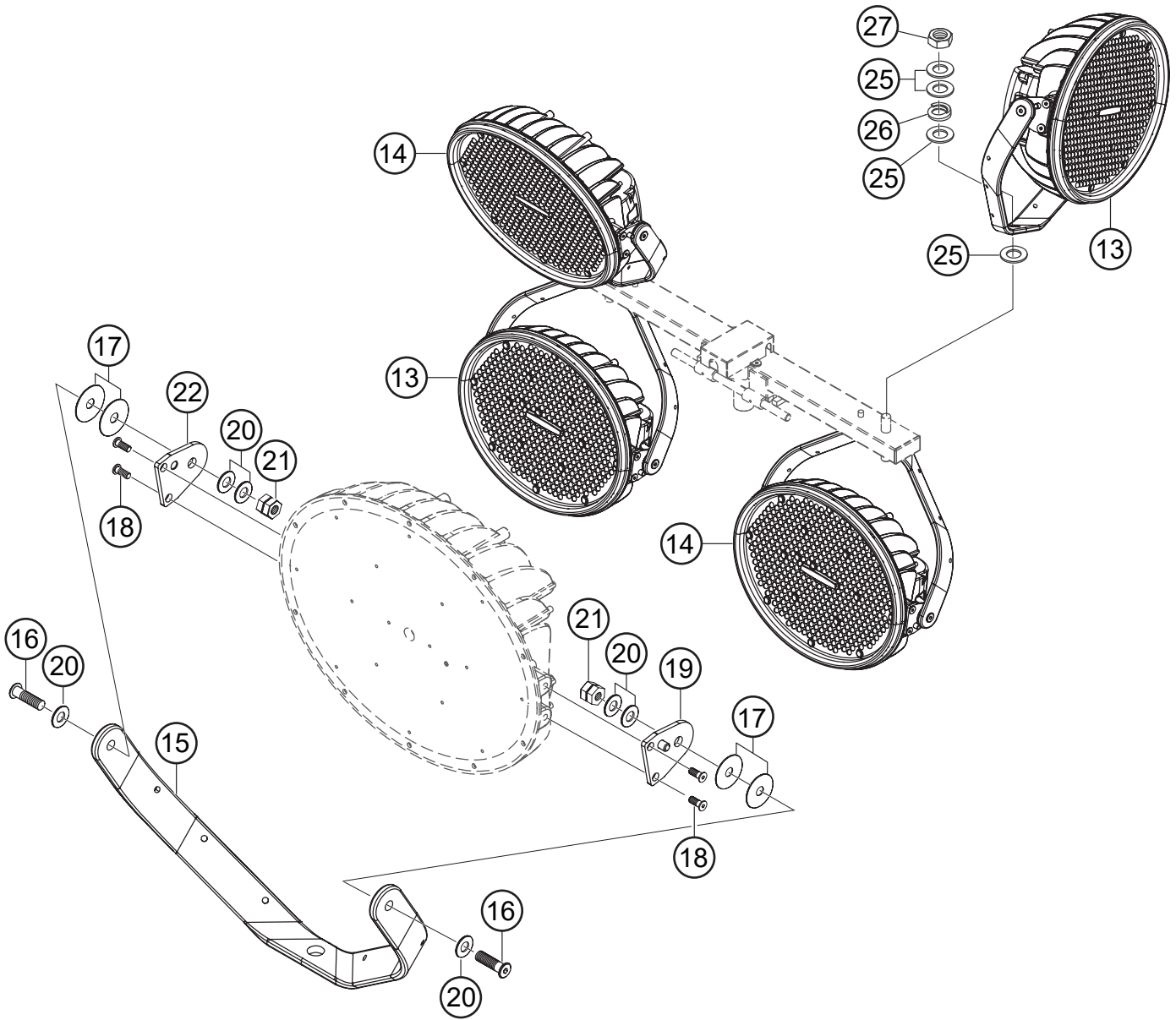
LED LAMP ASSY. (S/N G4100153 AND BELOW)



LED LAMP ASSY. (S/N G4100153 AND BELOW)

<u>NO.</u>	<u>PART NO.</u>	<u>PART NAME</u>	<u>QTY.</u>	<u>REMARKS</u>
18	A100117002	LAMP BRACKET	4.....	S/N G4100107 AND ABOVE
20	0017105010	HEX. HEAD BOLT, M5X10	32	
21	0034116000	NUT, M16	4	
22	E000144001	WASHER, M16	16	
23	1042000230	SPRING, LAMP	4	
24	A000094800	LAMP UNIT ASSY., RIGHT	2	
25	A000094700	LAMP UNIT ASSY., LEFT	2	

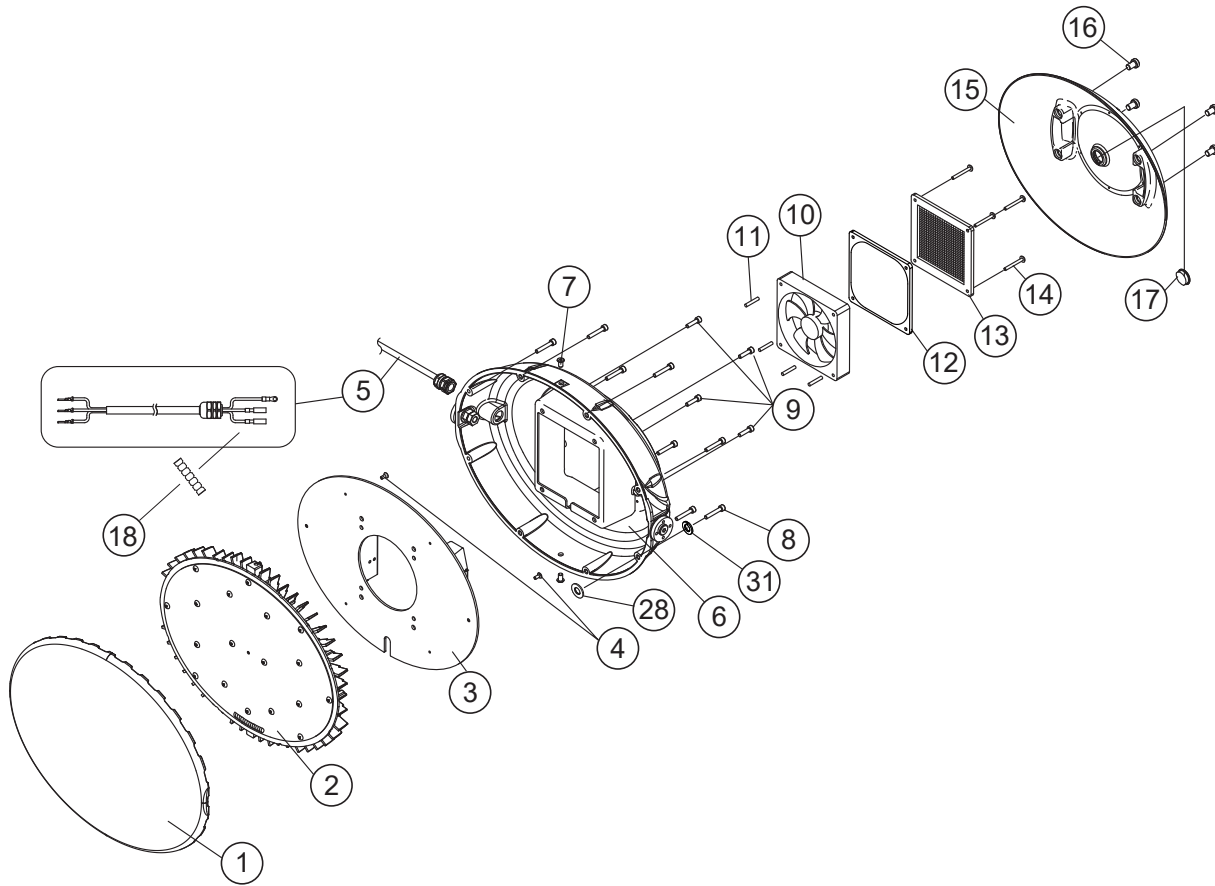
LED LAMP ASSY. (S/N G4100154 AND ABOVE)



LED LAMP ASSY. (S/N G4100154 AND ABOVE)

<u>NO.</u>	<u>PART NO.</u>	<u>PART NAME</u>	<u>QTY.</u>	<u>REMARKS</u>
13	A000120300	LAMP UNIT ASSY., LEFT	2	
14	A000120400	LAMP UNIT ASSY., RIGHT	2	
15	A100190000	LAMP BRACKET	4	
16	0017510035	SLIM HEAD SCREW, M10X35	8	
17	A400517900	WASHER, ϕ 38	16	
18	0017508020	SLIM HEAD SCREW, M8X20	16	
19	A300459000	BRACKET, LEFT	4	
20	A400418100	WASHER, M10	24	
21	0036410000	HARD LOCK NUT, M10	8	
22	A300459100	BRACKET, RIGHT	4	
25	E000144001	WASHER, M16	16	
26	1042000230	SPRING, LAMP	4	
27	0034116000	NUT, M16	4	

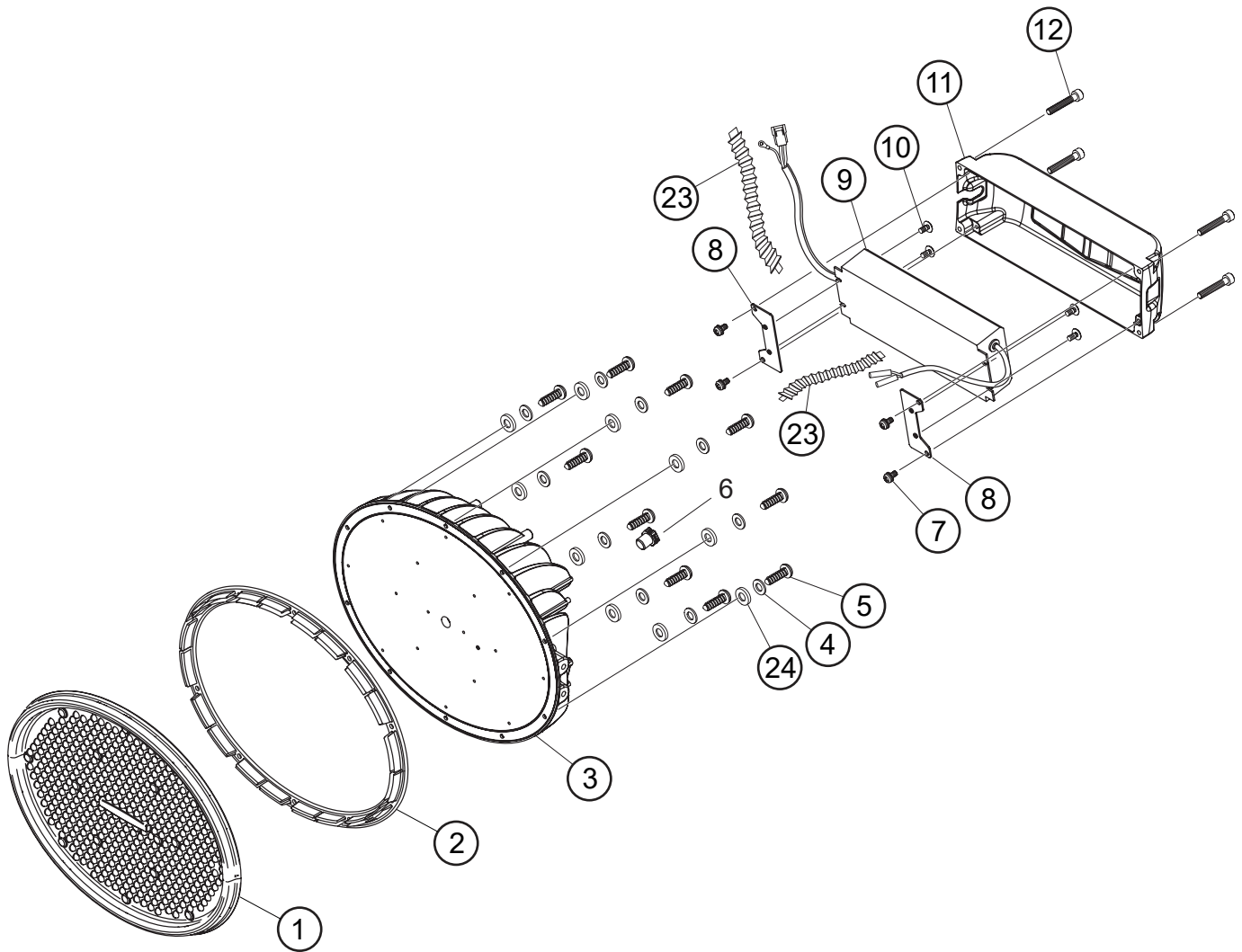
FRONT COVER ASSY. (WITH FAN)



FRONT COVER ASSY. (WITH FAN)

<u>NO.</u>	<u>PART NO.</u>	<u>PART NAME</u>	<u>QTY.</u>	<u>REMARKS</u>
1	A000060602	FRONT COVER ASSY.	4	
2	A000060702	HEAT SINK ASSY.	4	
3	A000095100	POWER UNIT ASSY.	4	
4	0025004010	COUNTERSUNK SCREW M4X10	8	
5	A300403202	CABLE (4-SPOT) COMPLETE	4	
6	A100110601	ARM BRACKET	4	
7	0017206010	BOLT, SOCKET HEAD SUS M6X10	8	
8	0026405030	SCREW, M5X30	32	
9	0017006016	BOLT, SOCKET HEAD, M6X16	16	
10	A300328800	FAN	4	
11	E000222500	SPACER	16	
12	A400400502	PLATE, FAN	4	
13	E000134400	FAN GUARD	4	
14	0024304035	SCREW, TRUSS HEAD	16	
15	A100116000	SPOT LAMP BACK COVER, RED	4	S/N G4100106 AND BELOW
15	A100110500	SPOT LAMP BACK COVER, GREY	4	S/N G4100107 AND ABOVE
16	0018108012	BOLT, SOCKET HEAD SUS M8X12	16	
17	E000148500	CAP	4	
18	A400417800	TUBE COVER	4	
28	A400470900	WASHER, COVER M13	32	
31	0046005000	WASHER, LOCK M5	32	

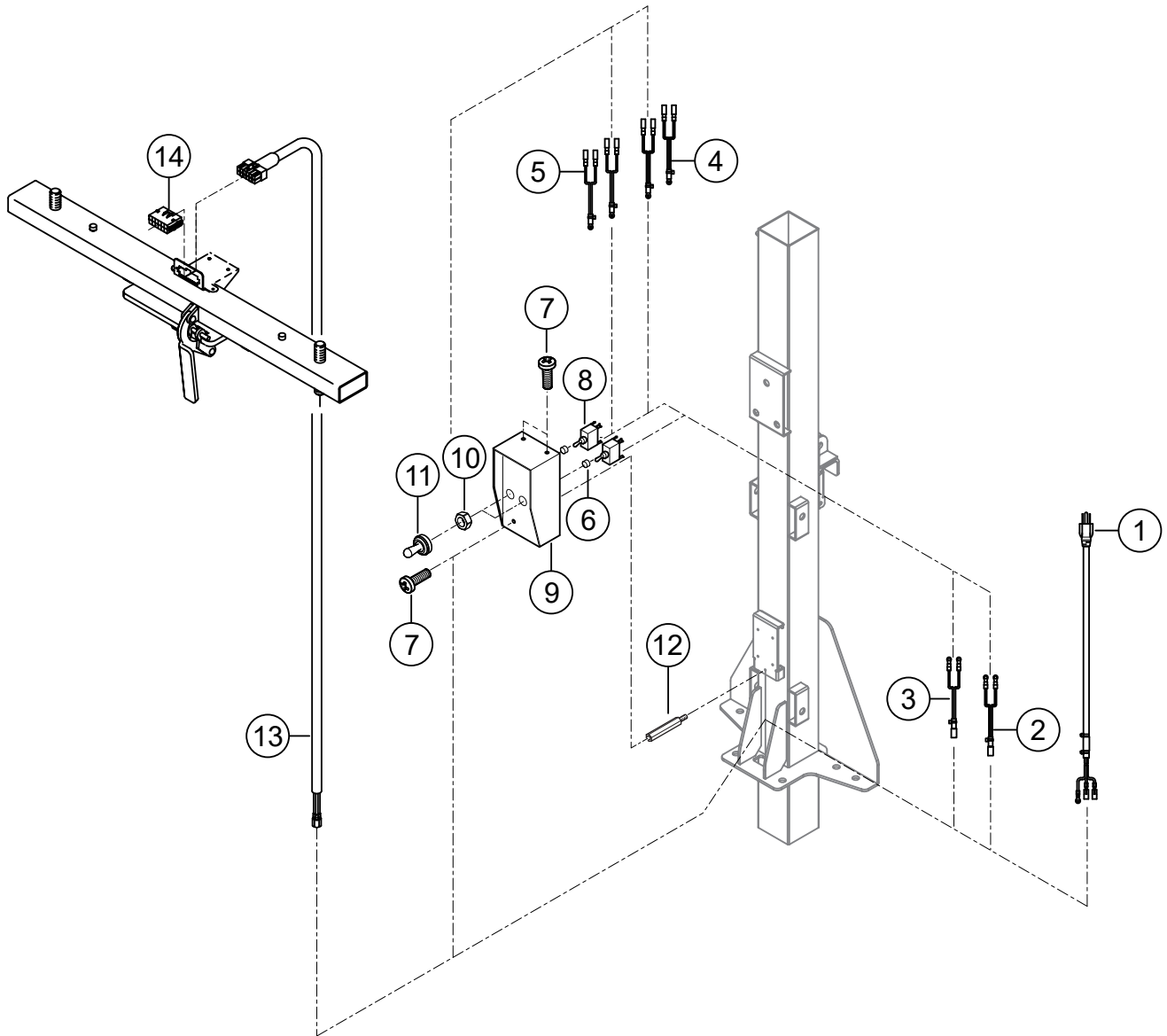
FRONT COVER ASSY. (WITH OUT FAN)



FRONT COVER ASSY. (WITH OUT FAN)

<u>NO.</u>	<u>PART NO.</u>	<u>PART NAME</u>	<u>QTY.</u>	<u>REMARKS</u>
1	A100181300	LENS COVER	4	
2	A200291200	GASKET	4	
3	A000110300	HEAT SINK ASSY.	4	
4	0044105000	WASHER, M5	40	
5	0027505020	TAPPING SCREW, M5X20	40	
6	E000119700	VENT FILTER	4	
7	0027405012	SCREW W/ WASHER, M5X12	16	
8	A400553800	PLATE, POWER SUPPLY	8	
9	A200196600	POWER SUPPLY ASSY.....	4.....	S/N G4100167 AND BELOW
9	A200192604	POWER SUPPLY ASSY.....	4.....	S/N G4100168 AND ABOVE
10	0022404008	TRUSS HEAD SCREW, M4X8	16	
11	A100181500	CASE, POWER SUPPLY.....	4.....	S/N G4100167 AND BELOW
11	A100181502	CASE, POWER SUPPLY.....	4.....	S/N G4100168 AND ABOVE
12	0017405030	HEX. SOCKET HEAD BOLT, M5X30	16	
23	A400573501	CORRUGATED TUBE (15.75 IN.)	8	
24	E000282800	WASHER, SEAL M5	40	

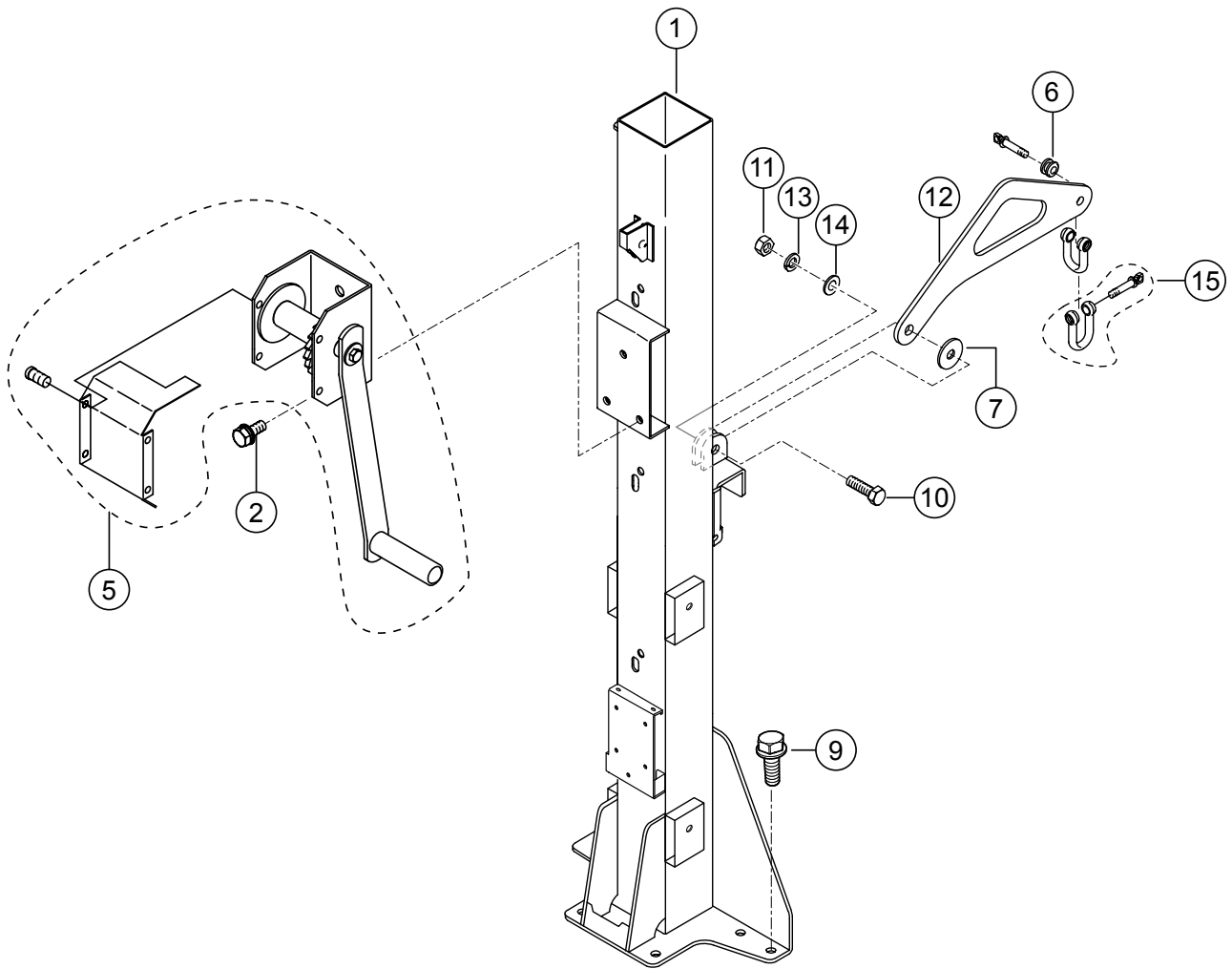
CABLE AND SWITCH ASSY.



CABLE AND SWITCH ASSY.

<u>NO.</u>	<u>PART NO.</u>	<u>PART NAME</u>	<u>QTY.</u>	<u>REMARKS</u>
1	A300335000	CABLE (MAIN GB43LED) CP	1	
2	A400401800	WIRE (JOINT) 3 CP	1	
3	A400401900	WIRE (JOINT) 4 CP	1	
4	A400402000	WIRE (JOINT) 5 CP	2	
5	A400402100	WIRE (JOINT) 6 CP	2	
6	E000153700	SWITCH, WASHER	2	
7	0023304012	BOLT AND WASHER, M4X12	3.....	S/N G4100153 AND BELOW
7	0028204012	UPSET BOLT ASSY., SC M4X12.....	3.....	S/N G4100154 AND ABOVE
8	E000153400	SWITCH	2	
9	A300334701	SWITCH COVER	1	
10	E000153600	SWITCH NUT	2	
11	E000153500	SWITCH CAP	2	
12	2032500430	BOLT, SUPPORTER	1	
13	A300329700	WIRE (LAMP) CP	1.....	S/N G4100153 AND BELOW
13	A300470300	WIRE, LAMP	1.....	S/N G4100154 AND ABOVE
14	1407021030	RECEPTACLE HOUSING	1.....	S/N G4100153 AND BELOW

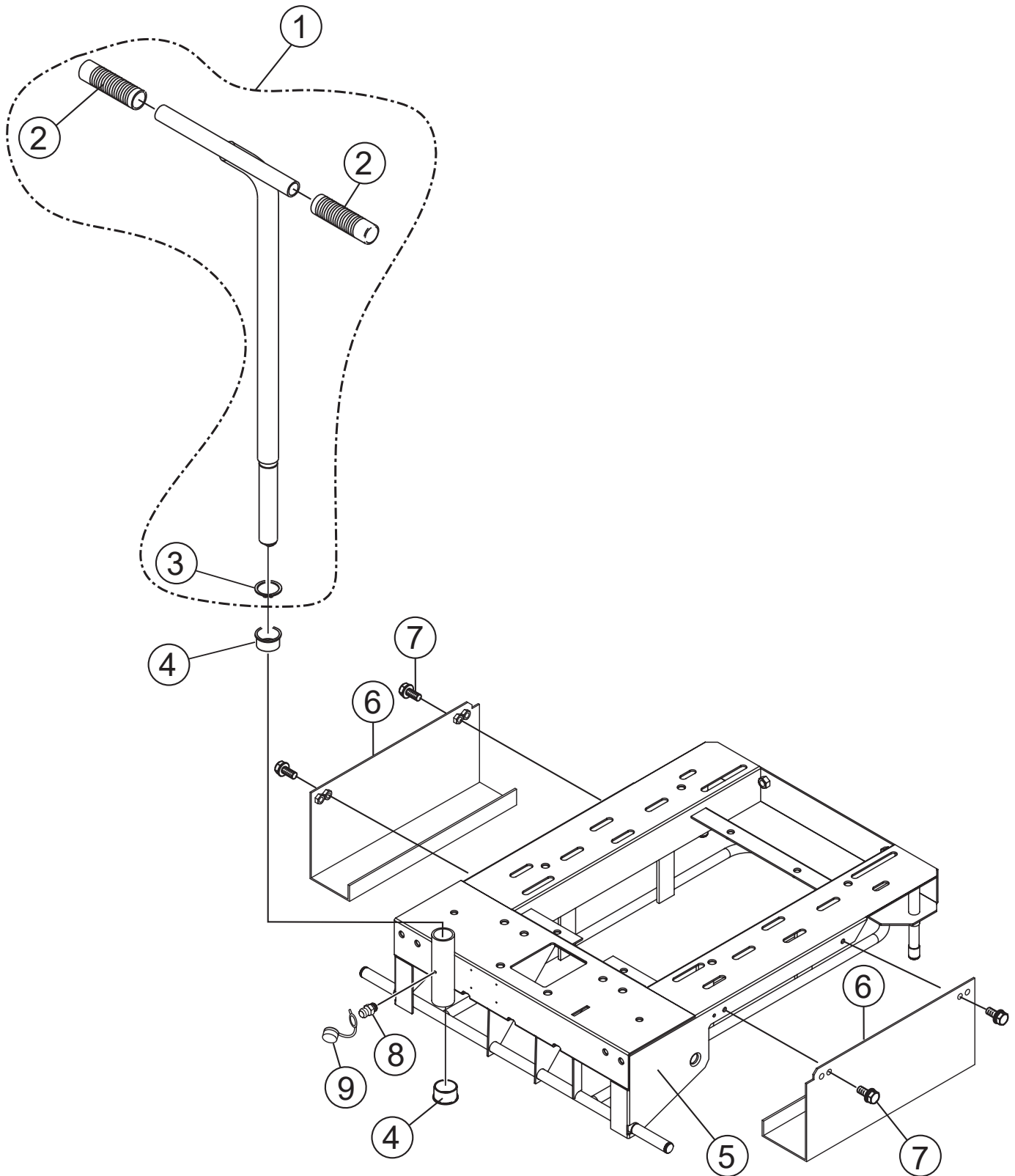
MAIN MAST ASSY.



MAIN MAST ASSY.

<u>NO.</u>	<u>PART NO.</u>	<u>PART NAME</u>	<u>QTY.</u>	<u>REMARKS</u>
1	A100028105	FIRST MAST	1	
2	0013510025	BOLT AND WASHER, M10X25	3	
5	1011000701	WINCH HM-G103	1	
6	A400494100	GROMMET	1	
7	0043112041	WASHER, 12DX40DX3.2	1	
9	0013512025	BOLT AND WASHER, M12X25	6	
10	0013112040	BOLT, M12X40	1	
11	0033112000	NUT, M12	1	
12	1052001710	HANGER	1	
13	0043212000	WASHER, LOCK M12	1	
14	0043112000	WASHER, M12	1	
15	1711080130	SHACKLE	2	

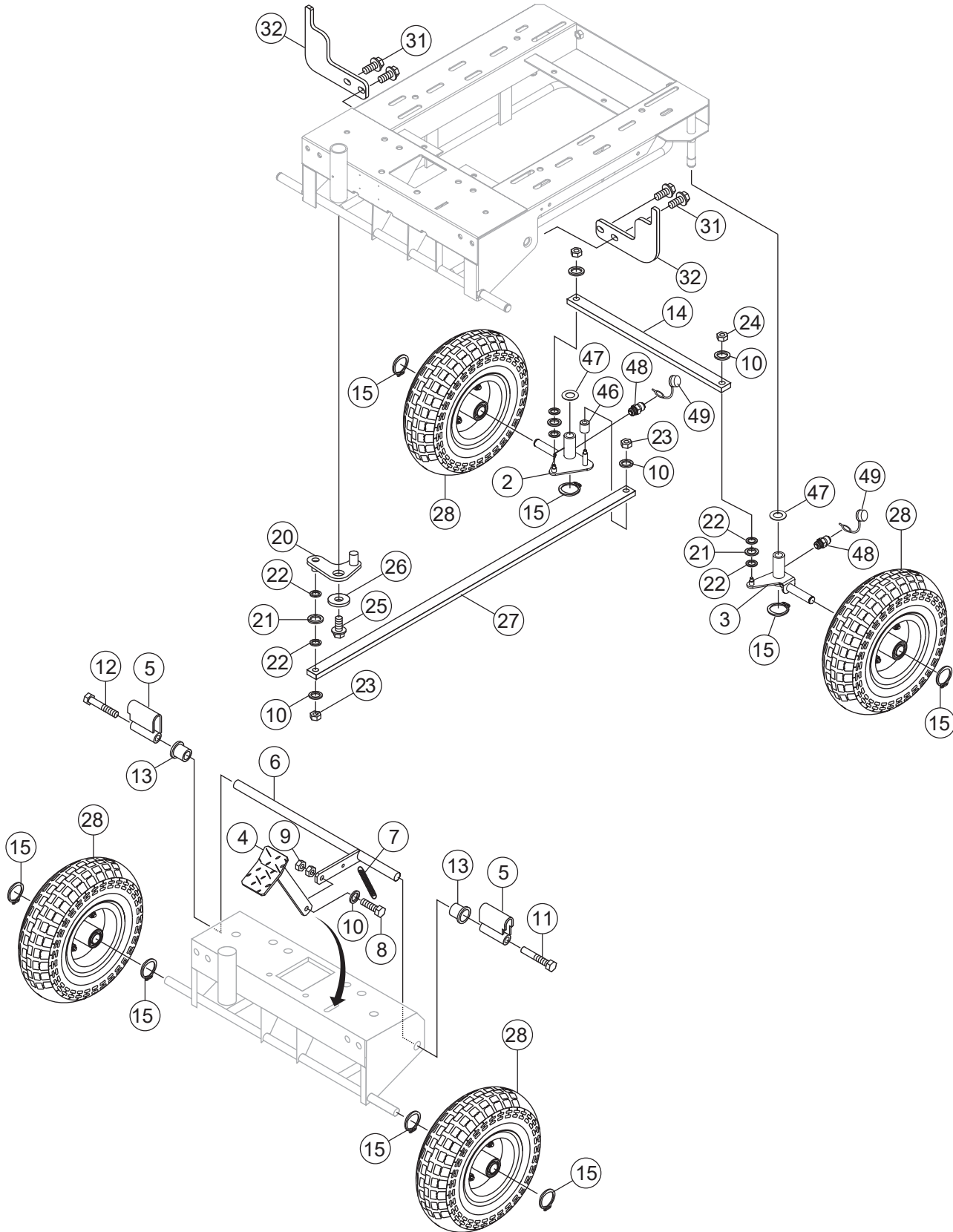
T-HANDLE ASSY.



T-HANDLE ASSY.

<u>NO.</u>	<u>PART NO.</u>	<u>PART NAME</u>	<u>QTY.</u>	<u>REMARKS</u>
1	A200023001	HANDLE	1.....	INCLUDES ITEMS W/# S/N G4100153 AND BELOW
1	A200193402	HANDLE	1.....	INCLUDES ITEMS W/\$ S/N G4100154 AND ABOVE
2#\$	1102700130	HANDLE GRIP	2	
3#	0040730000	SNAP RING	1.....	S/N G4100153 AND BELOW
4	1503300130	SLEEVE BEARING, 30DX34DX20	2	
5	A100018908	BASE PLATE	1.....	S/N G4100153 AND BELOW
5	A100193802	BASE PLATE	1.....	S/N G4100154 AND ABOVE
6	A300087403	SIDE GUARD	2	
7	0013508015	BOLT AND WASHER, M8X15	4	
8	E000233200	GREASE NIPPLE	1.....	S/N G4100154 AND ABOVE
9	E000233300	CAP, GREASE NIPPLE	1.....	S/N G4100154 AND ABOVE

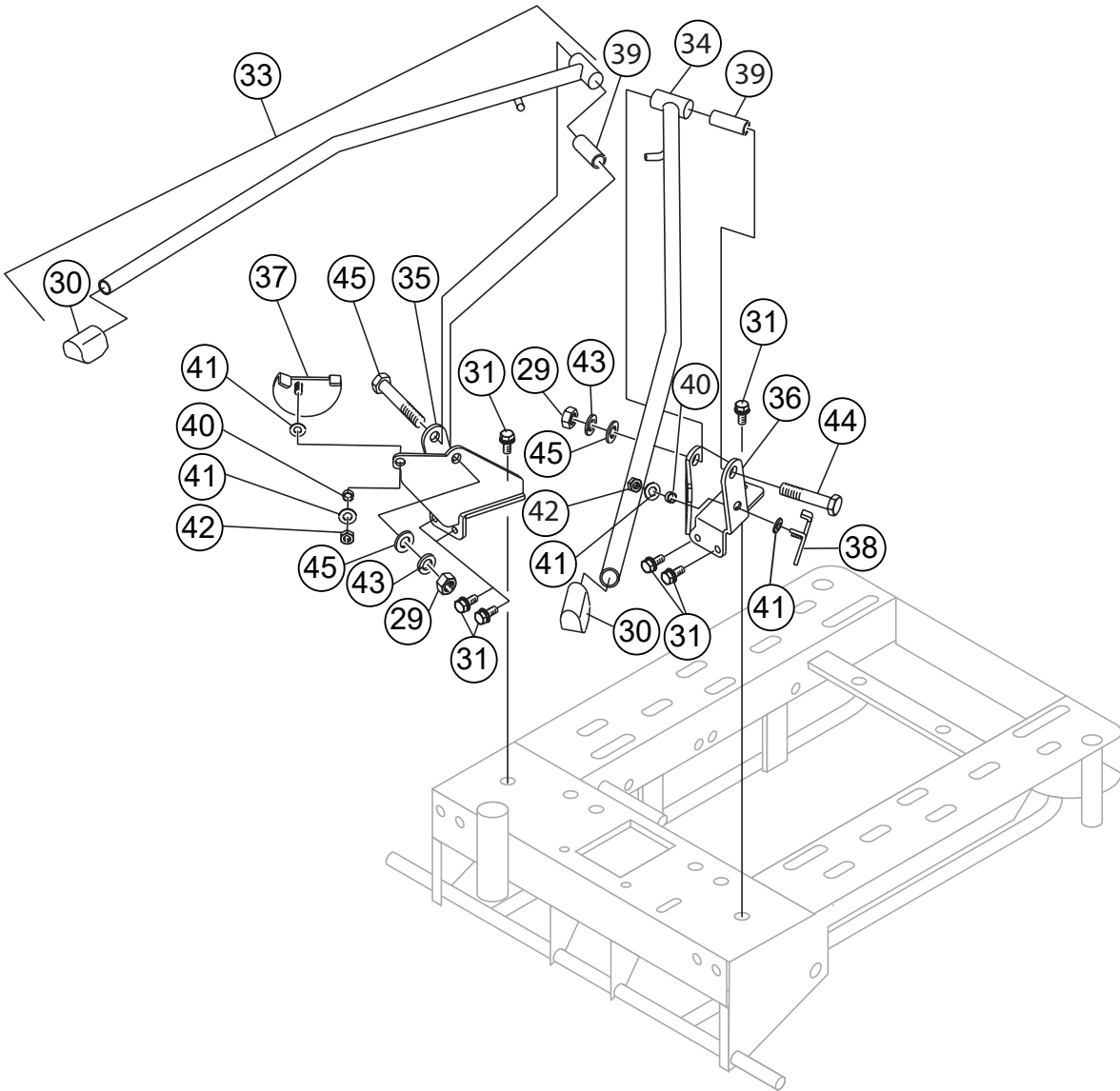
STEERING ASSY.



STEERING ASSY.

<u>NO.</u>	<u>PART NO.</u>	<u>PART NAME</u>	<u>QTY.</u>	<u>REMARKS</u>
2	A200022904	FRONT SHAFT (L)	1.....	S/N G4100153 AND BELOW
2	A200192701	FRONT SHAFT (L).....	1.....	S/N G4100154 AND ABOVE
3	A200022804	FRONT SHAFT (R)	1.....	S/N G4100153 AND BELOW
3	A200192801	FRONT SHAFT (R).....	1.....	S/N G4100154 AND ABOVE
4	2001200313	BRAKE PEDAL	1	
5	2071214010	BRAKE	2	
6	2071213211	BRAKE SHAFT	1	
7	1041000131	SPRING, BRAKE	1	
8	011208030	BOLT, M8X30 SUS	1.....	REPLACES P/N 0010308030
9	0033108000	NUT, M8	2	
10	0043108000	WASHER, M8	5	
11	0013212075	BOLT, M12X75	1	
12	1521120131	BOLT, M12X75 LEFT SCREW	1	
13	1503180130	SLEEVE BEARING, 18DX20DX20	2	
14	A400055501	LINK, FRONT SHAFT	1	
15	0040720000	SNAP RING, 20	8	
20	A300090600	LINK, HANDLE	1.....	S/N G4100153 AND BELOW
20	A300090601	LINK, HANDLE	1.....	S/N G4100154 AND ABOVE
21	0043112000	WASHER, M12	3	
22	1504120130	WASHER, 12.2DX18DX0.5	6	
23	0033208000	SELF LOCK NUT, M8	1	
24	0030808000	PUSH NUT, 8	3	
25	0013512025	BOLT AND WASHER, M12X25	1	
26	0043112041	WASHER, 12DX40DX3.2	1	
27	A400055401	LINK, STEERING	1	
28	E000021400	PNEUMATIC TIRE	4	
31	0013510025	BOLT AND WASHER, M10X25	10	
32	A400033402	CATCHER, OUTRIGGER	2	
46	A400055101	SPACER	1	
47	E000031200	WASHER, 20DX36DX1.5	2	
48	E000233200	GREASE NIPPLE	2	
49	E000233300	CAP, GREASE NIPPLE	2	

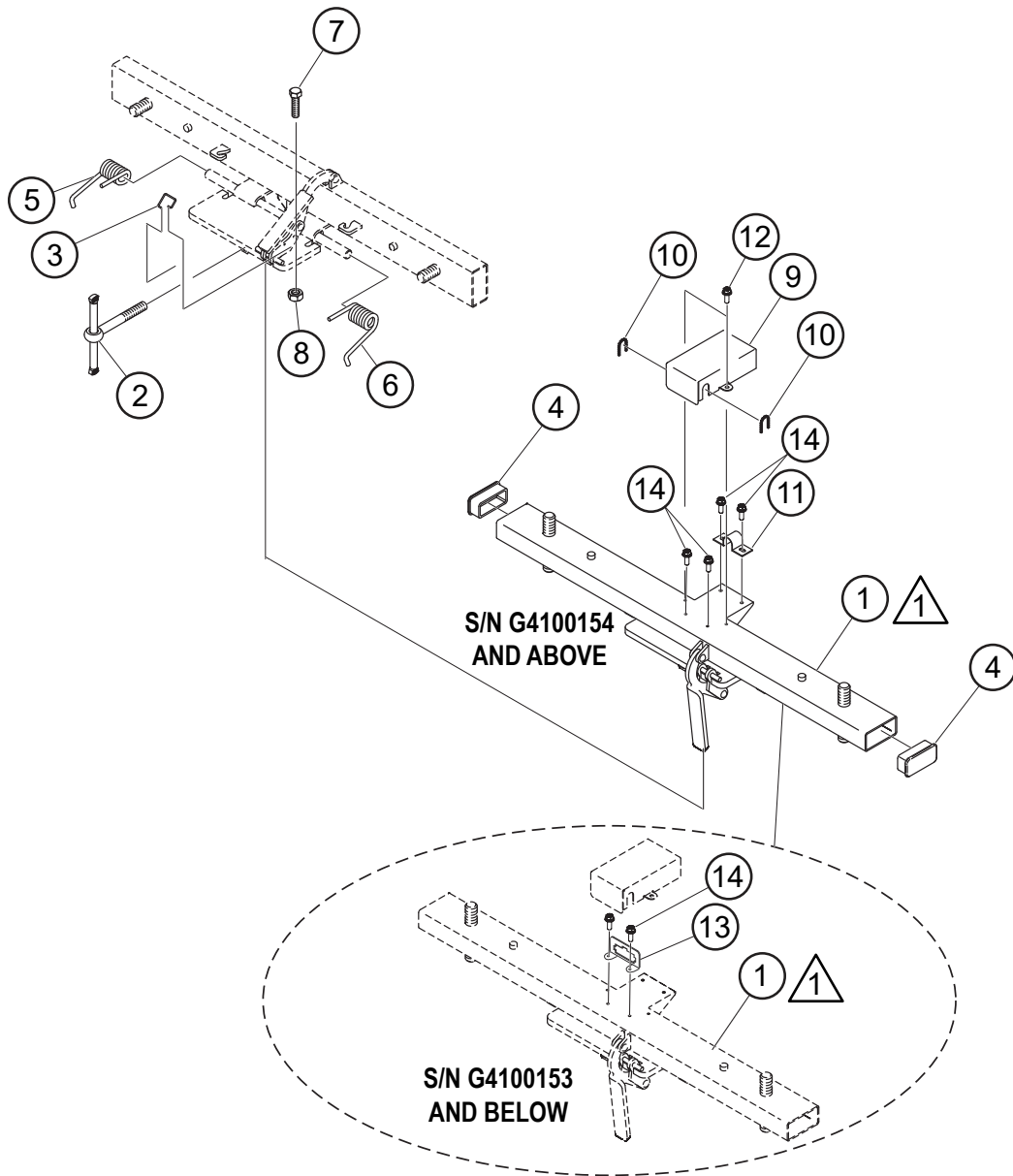
OUTRIGGER ASSY.



OUTRIGGER ASSY.

<u>NO.</u>	<u>PART NO.</u>	<u>PART NAME</u>	<u>QTY.</u>	<u>REMARKS</u>
29	0033116000	NUT, M16	2	
30\$	1641000330	RUBBER FOOT	2	
31	0013510025	BOLT AND WASHER, M10X25	10	
33	A200015203	OUTRIGGER (L)	1	INCLUDES ITEMS W/\$
34	A200015303	OUTRIGGER (R)	1	INCLUDES ITEMS W/\$
35	A100011501	BRACKET (OUT, R) L	1	
36	A100011601	BRACKET (OUT, R) R	1	
37	2031320213	WEIGHT (OUT, R) L	1	
38	2031321113	WEIGHT (OUT, R) R	1	
39	1501160111	SPACER (OUT, R)	2	
40	1501100430	SPACER, 10.2DX13.8DX6.5L	2	
41	0043110000	WASHER, M10	4	
42	0033210000	SELF LOCK NUT, M10	2	
43	0043216000	WASHER, LOCK, M16	2	
44	0013116090	BOLT, M16X90	2	
45	0043116000	WASHER, M16	2	

MAST ADAPTER ASSY.



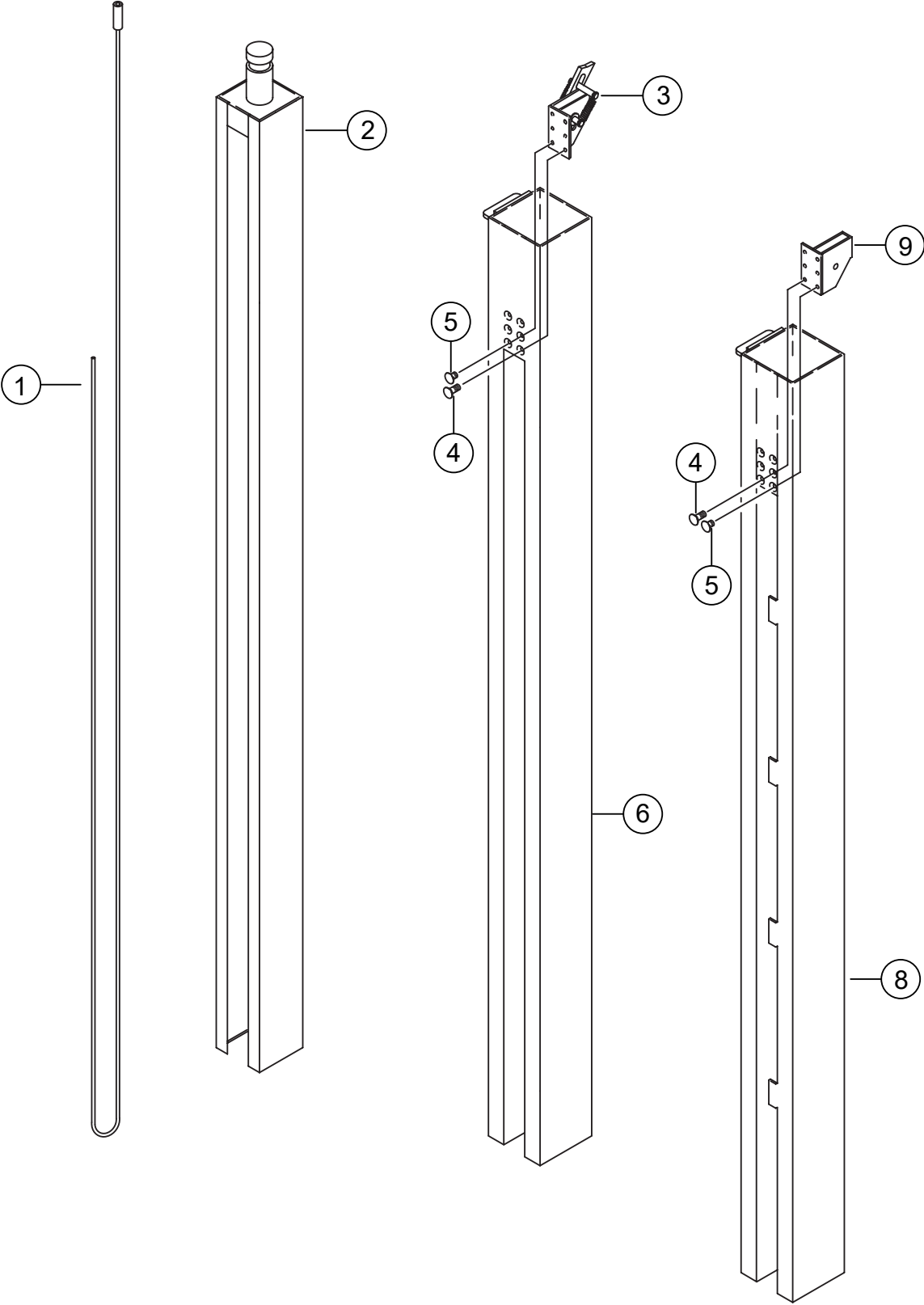
NOTES:

⚠ ITEM 1 INCLUDES ITEMS 3 TO 8.

MAST ADAPTER ASSY.

<u>NO.</u>	<u>PART NO.</u>	<u>PART NAME</u>	<u>QTY.</u>	<u>REMARKS</u>
1	A100037300	LAMP STAND COMPLETE.....	1.....	INCLUDES ITEMS W/# S/N G4100106 AND BELOW
1	A100037302	LAMP STAND COMPLETE (OVAL LAMP)	1.....	INCLUDES ITEMS W/% S/N G4100107 ~ G4100153
1	A1000086001	LAMP STAND COMPLETE.....	1.....	INCLUDES ITEMS W/\$ S/N G4100154 AND ABOVE
2	2072310114	ADJUST LEVER (LAMP STAND)	1	
3#%\$	1045000130	SPRING (LEVER)	1	
4#%\$	1652000131	END CAP	2	
5#%\$	A300093000	SPRING (LAMP STAND) L	1	
6#%\$	A300092600	SPRING (LAMP STAND) R	1	
7#%\$	0010308030	BOLT (M8 X 30)	1	
8#%\$	0033108000	NUT (M8)	1	
9	2072400510	CONNECTOR COVER	1	
10	E000012000	FREE BUSH	2	
11	1603000730	CLAMP	1	
12	0028204012	UPSET BOLT ASSY., SC M4X12.....	2.....	S/N G4100154 AND ABOVE
13	A400475701	BRACKET, COUPLER.....	1.....	S/N G4100107 ~ G4100153
14	0023304012	SCREW AND WASHER ASSY., M4X12	2.....	S/N G4100107 ~ G4100153
14	0023304012	SCREW AND WASHER ASSY., M4X12	4.....	S/N G4100154 AND ABOVE

MAST SECTION ASSY.



MAST SECTION ASSY.

<u>NO.</u>	<u>PART NO.</u>	<u>PART NAME</u>	<u>QTY.</u>	<u>REMARKS</u>
1	1031041010	WIRE ROPE COMPLETE	1	
2	A200030801	FOURTH MAST COMPLETE	1	
3	2012263010	BRACKET(PULLEY) 3 COMPLETE	1	
4	0025004010	SCREW (M4X10)	6	
5	0025004006	SCREW (M4X6)	6	
6	A200030700	THIRD MAST COMPLETE	1	
8	A200027200	SECOND MAST COMPLETE	1	
9	2002262010	BRACKET(PULLEY) 2 COMPLETE	1	

PARTS MANUAL

HERE'S HOW TO GET HELP

PLEASE HAVE THE MODEL AND SERIAL
NUMBER ON-HAND WHEN CALLING

UNITED STATES

Multiquip Inc.

(310) 537- 3700
6141 Katella Avenue Suite 200
Cypress, CA 90630
E-MAIL: mq@multiquip.com
WEBSITE: www.multiquip.com

CANADA

Multiquip

(450) 625-2244
4110 Industriel Boul.
Laval, Quebec, Canada H7L 6V3
E-MAIL: infocanada@multiquip.com

UNITED KINGDOM

Multiquip (UK) Limited Head Office

0161 339 2223
Unit 2, Northpoint Industrial Estate, Globe Lane,
Dukinfield, Cheshire SK16 4UJ
E-MAIL: sales@multiquip.co.uk

© COPYRIGHT 2025, MULTIQUIP INC.

Multiquip Inc. and the MQ logo are registered trademarks of Multiquip Inc. and may not be used, reproduced, or altered without written permission. All other trademarks are the property of their respective owners and used with permission.

This manual MUST accompany the equipment at all times. This manual is considered a permanent part of the equipment and should remain with the unit if resold.

The information and specifications included in this publication were in effect at the time of approval for printing. Illustrations, descriptions, references and technical data contained in this manual are for guidance only and may not be considered as binding. Multiquip Inc. reserves the right to discontinue or change specifications, design or the information published in this publication at any time without notice and without incurring any obligations.

