



GBC/GBP/GBS/GBW

E-Ballast Replacement

The following instructions are intended to assist the user in the installation of an E-ballast for the GBC/GBP/GBS/GBW Lighting Systems. Please read all installation instructions before starting.

REQUIRED TOOLS

- Hex socket or allen wrench (M6)
- Open-end wrench (M4)
- Phillips head screwdriver
- Wire cutters

PARTS

- New E-ballast Assembly
- 3 Cable Tie Wraps

WORK SAFELY!

Only a **qualified service technician** with proper training should perform this installation. Follow all shop safety rules when performing this installation.

PREPARATION

1. Make sure lamp is turned off and balloon is deflated.
2. Remove the balloon assembly from the mast.
3. Place the balloon assembly on a work bench supporting the bottom half with a block of wood or equivalent.
4. Unzip the balloon on the top and bottom. See Figure 1.

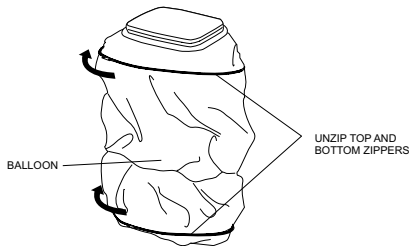


Figure 1. Unzipping Balloon

5. Detach balloon completely through the top (See Figure 2).

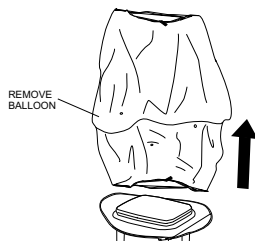


Figure 2. Balloon Removal

DISASSEMBLY

Figure 3 shows the location of the parts to be disassembled. The callout numbers on the figure corresponds to the steps on the following procedure.

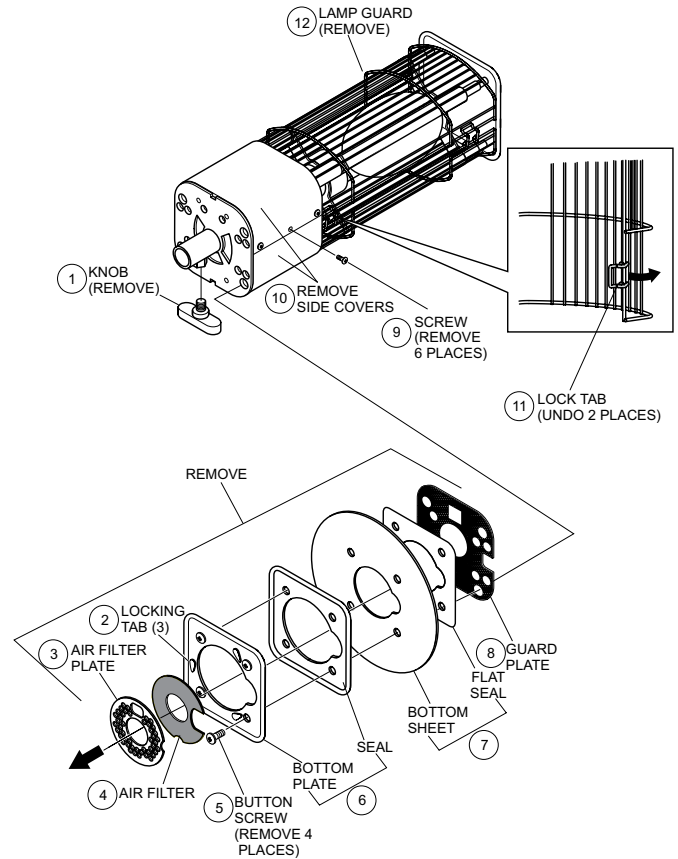


Figure 3. Disassembly

NOTICE

When removing the different parts of the assembly, make sure that the parts are stored properly so that no parts are lost or misplaced for reassembly.

1. Remove the knob by turning it counterclockwise until it comes off.
2. Turn the three locking tabs on the bottom plate to the outward position.
3. Remove the air filter plate.

4. Remove the filter.
5. Using a 6mm hex socket or allen wrench, remove the 4 button screws and washers from the bottom plate.
6. Remove the bottom plate and seal.
7. Remove the bottom sheet and flat seal.
8. Remove the guard plate.
9. Remove the six screws that hold the two side covers.
10. Remove the two side covers.
11. Undo the two lock tabs on the lamp guard.
12. Remove the lamp guard.

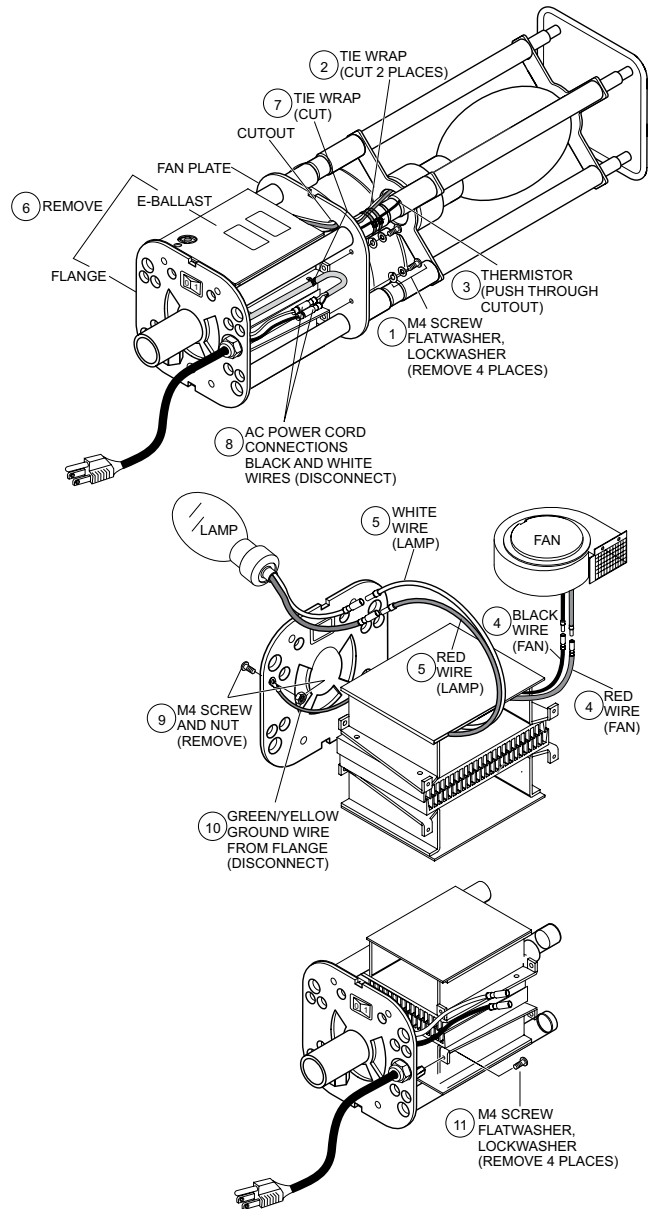


Figure 4. E-Ballast Removal and Installation

NOTICE

With the lamp guard removed, the lamp will no longer be protected. Make sure that the lamp does not hit anything that may cause it to break.

REMOVAL OF OLD BALLAST

Refer to Figure 4 for parts location. The callout numbers on the figure corresponds to the steps on the following procedure.

1. Using a Phillips head screwdriver, remove the 4 sets of screws, lock washers, and flat washers that hold the fan plate and E-ballast together.
2. Cut the two tie wraps that secure the cables to the pole.
3. Push the black thermistor wire into the cutout.
4. Disconnect the fan cables (red and black wires).
5. Disconnect the lamp cables (red and white wires).
6. Carefully detach the E-ballast assembly and flange from the fan/lamp assembly.
7. Cut the tie wrap that holds the AC power switch cable to the ballast.
8. Disconnect the AC power switch cable from the ballast.
9. Using an M4 open-end wrench, remove the nut that holds the ground wire (green/yellow).
10. Disconnect the ground wire from the flange.
11. With a Phillips head screwdriver, remove the four screws and washers that attach the E-ballast to the flange. Remove E-ballast.
12. Set aside the E-ballast that was removed.

INSTALLATION OF NEW E-BALLAST

Refer to Figure 4 for parts location. Installation is the reverse of the steps in the removal of old E-ballast

1. Unpack the new E-ballast from its box.
2. Attach the new E-ballast to the flange and secure with the four sets of screws and washers.
3. Connect the AC power switch cable (white and black) wires to the new E-ballast. **Make sure the wire colors match.**
4. Attach the ground wire from the E-ballast to the flange and secure with the nut.
5. Using a tie wrap secure the AC power switch cable to the ballast.

6. Attach the E-ballast and flange to the fan/lamp assembly leaving room to connect the cables. Make sure the E-ballast has the correct orientation with the dimming switch on the same side as the fan outlet. Be careful that the cables do not get pinched.
7. Connect the cables between the ballast and the fan (red and black). **Make sure the wire colors match.**
8. Connect the cable between the lamp and the ballast (red and white wires). Make sure the wire colors match.
9. Route the black thermistor wire through the cutout.
10. Carefully push in the E-ballast into the fan/lamp assembly, tucking the cables in between so that the wires do not get pinched.
11. Secure the cables and thermistor wire to the pole with two tie wraps.
12. Install the four sets of screws and washers loosely to hold the E-ballast to the fan plate. Once the screws are all aligned to the holes, tighten the screws.

REASSEMBLY

When reassembling, refer to Figure 3 for location of the parts that were removed and reverse assembly procedure.

1. Reinstall the two side covers and secure with the 6 screws. Note that one cover has a hole for the dimming switch and make sure that the hole aligns with the switch.
2. Place the guard plate on top of the flange then the packing seal and the bottom sheet. Make sure that the smooth side of the bottom sheet faces up.
3. Install the bottom plate and fasten the four button screws and washers securely. Make sure that the tab washer is positioned where the power cable hook can attach to it snugly. See Figure 5.

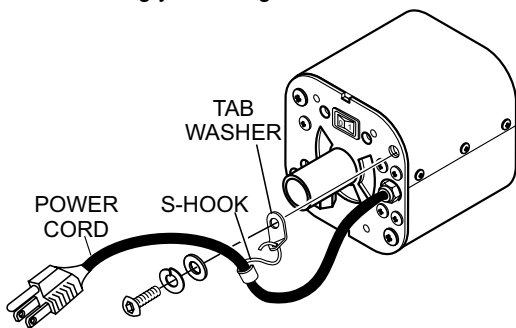


Figure 5. Location of Tab Washer

4. Place the filter then the air filter plate, making sure the notches and holes fit in place.

5. Secure the filter plate in place by moving the three locking tabs inward.
6. Reinstall the knob and turn clockwise until tight.
7. Reinstall the lamp guard and secure with the latches.
8. Reinstall the balloon and zip up the top and bottom.

CHECKING OPERATION

Refer to Figure 6 for location of switches.

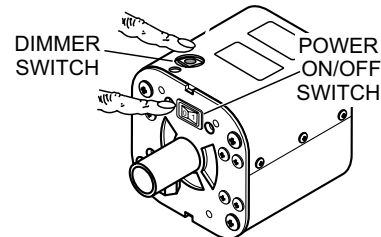
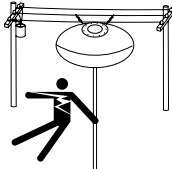


Figure 6. Location of Power/Dimmer Switches

⚠ DANGER



ALWAYS make sure the area above the lighting system is open and clear of overhead power lines and other obstructions. Contact with overhead power lines or other obstructions could result in equipment damage, **electrical shock, electrocution and even death.**

1. Place the balloon securely on the appropriate mast or make sure it is adequately supported with room for the balloon to inflate.
2. Connect the AC power cable to a 120 VAC power receptacle and turn on the power switch.
3. Confirm that the lamp and fan are working.
4. Slightly unzip the bottom of the balloon to gain access to the dimmer switch.
5. Press the dimmer switch lightly. LED will blink and the lamp should dim to about 75% brightness.
6. Press the dimmer switch again lightly. The LED should turn off and the lamp should now be 100% bright.
7. Press and hold the dimmer switch for three seconds. Confirm that the lamp turns off and the balloon remains inflated.
8. Disconnect the AC power cable from the 120 VAC power receptacle. Confirm that the LED turns off, the lamp turns off and the balloon deflates.
9. Reconnect the AC power cable from the 120 VAC power receptacle. The balloon should start to inflate and the lamp should turn on after a few minutes.



GBC/GBP/GBS/GBW

E-Ballast Replacement

HERE'S HOW TO GET HELP

PLEASE HAVE THE MODEL AND SERIAL
NUMBER ON-HAND WHEN CALLING

UNITED STATES

Multiquip Corporate Office

18910 Wilmington Ave. Tel. (800) 421-1244
Carson, CA 90746 Fax (800) 537-3927
Contact: mq@multiquip.com

Service Department

800-421-1244 Fax: 310-537-4259
310-537-3700

Technical Assistance

800-478-1244 Fax: 310-943-2238

MQ Parts Department

800-427-1244 Fax: 800-672-7877
310-537-3700 Fax: 310-637-3284

Warranty Department

800-421-1244 Fax: 310-943-2249
310-537-3700

MEXICO

MQ Cipsa

Carr. Fed. Mexico-Puebla KM 126.5 Tel: (52) 222-225-9900
Momoxpan, Cholula, Puebla 72760 Mexico Fax: (52) 222-285-0420
Contact: pmastretta@cipsa.com.mx

CANADA

Multiquip

4110 Industriel Boul. Tel: (450) 625-2244
Laval, Quebec, Canada H7L 6V3 Tel: (877) 963-4411
Contact: jmartin@multiquip.com Fax: (450) 625-8664

UNITED KINGDOM

Multiquip (UK) Limited Head Office

Unit 2, Northpoint Industrial Estate, Tel: 0161 339 2223
Globe Lane, Fax: 0161 339 3226
Dukinfield, Cheshire SK16 4UJ
Contact: sales@multiquip.co.uk

© COPYRIGHT 2011, MULTIQUIP INC.

Multiquip Inc and the MQ logo are registered trademarks of Multiquip Inc. and may not be used, reproduced, or altered without written permission. All other trademarks are the property of their respective owners and used with permission.

The information and specifications included in this publication were in effect at the time of approval for printing. Illustrations, descriptions, references and technical data contained in this document are for guidance only and may not be considered as binding. Multiquip Inc. reserves the right to discontinue or change specifications, design or the information published in this publication at any time without notice and without incurring any obligations.

Your Local Dealer is:

