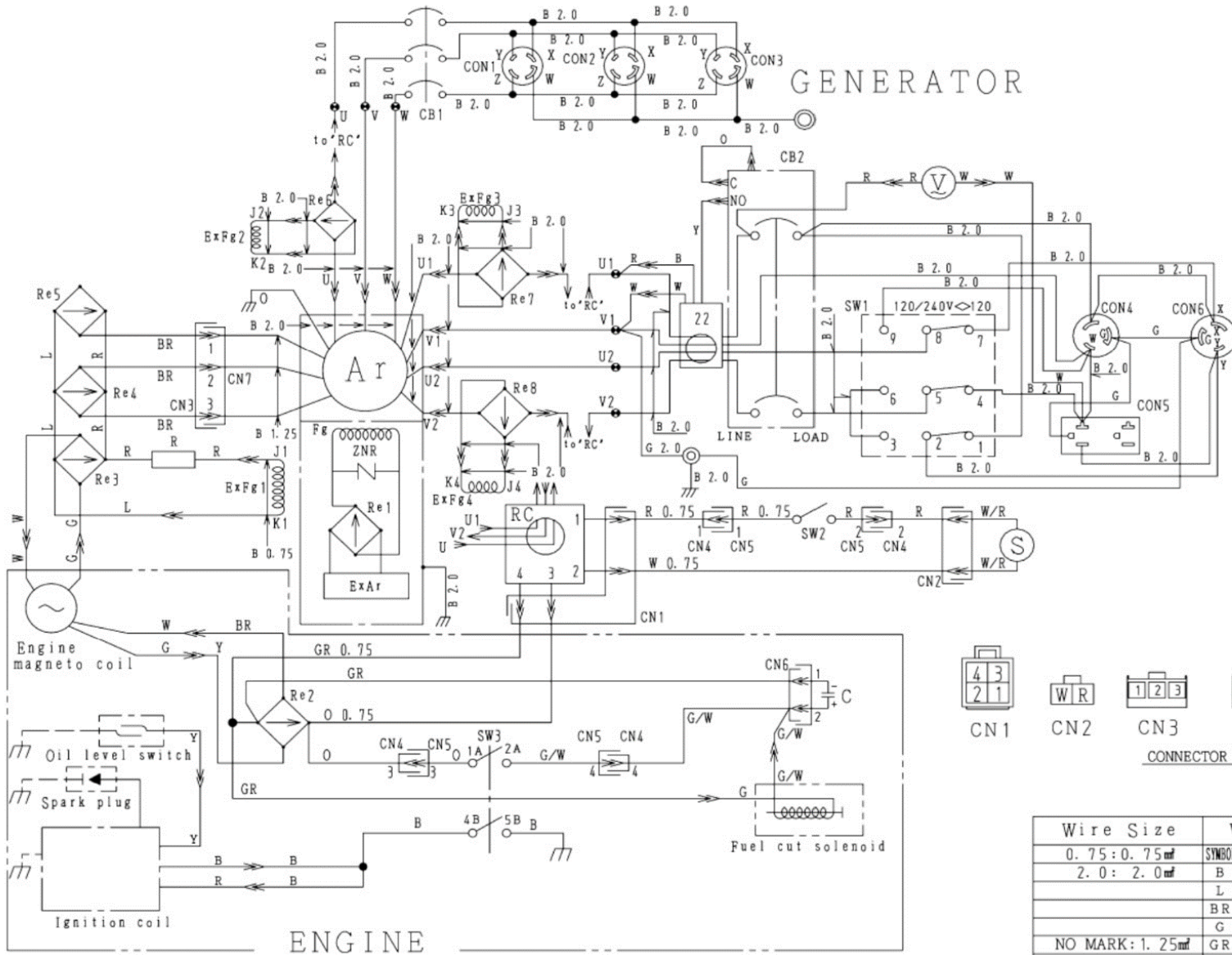


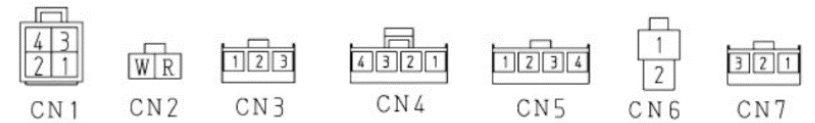
# GDP-5HA WIRING DIAGRAM



GENERATOR

ENGINE

SYMBOL	PARTS NAME
Ar	Armature Winding
Fg-P, N	Field Winding
ExFg1	Excitation Winding
ExFg2~4	Excitation Winding
CON1~3	Receptacle 120/208V, 20A
CON4	Receptacle L5-30R 30A, 125V
CON5	Receptacle 5-20R 20A, 125V
CON6	Receptacle L6-20R 20A, 250V
V	AC Voltmeter 120/240V
Re1	Rectifier
Re2~5	Rectifier
Re6~8	Rectifier
CB1	Earth Leakage Circuit Breaker (30mA) 12.5A
CB2	AC Circuit Breaker 15A
22	GFCI Sensing Module 120V
SW1	Full Power Switch
SW2	Idle Control Switch
SW3	Operation Switch
RC	Idle Control Device
S	Idle Control Solenoid
R	Resistor
C	Condenser
⊙	Terminal Board



CONNECTOR (Viewed at Wiring Side)

Wire Size	WIRING COLOR CODE			
0.75: 0.75mm <sup>2</sup>	SYMBOL	COLOR	SYMBOL	COLOR
2.0: 2.0mm <sup>2</sup>	B	BLACK	R	RED
	L	BLUE	W	WHITE
	BR	BROWN	Y	YELLOW
	G	GREEN	LB	LIGHT BLUE
NO MARK: 1.25mm <sup>2</sup>	GR	GRAY	LG	LIGHT GREEN
	V	VIOLET	O	ORANGE
	P	PINK		