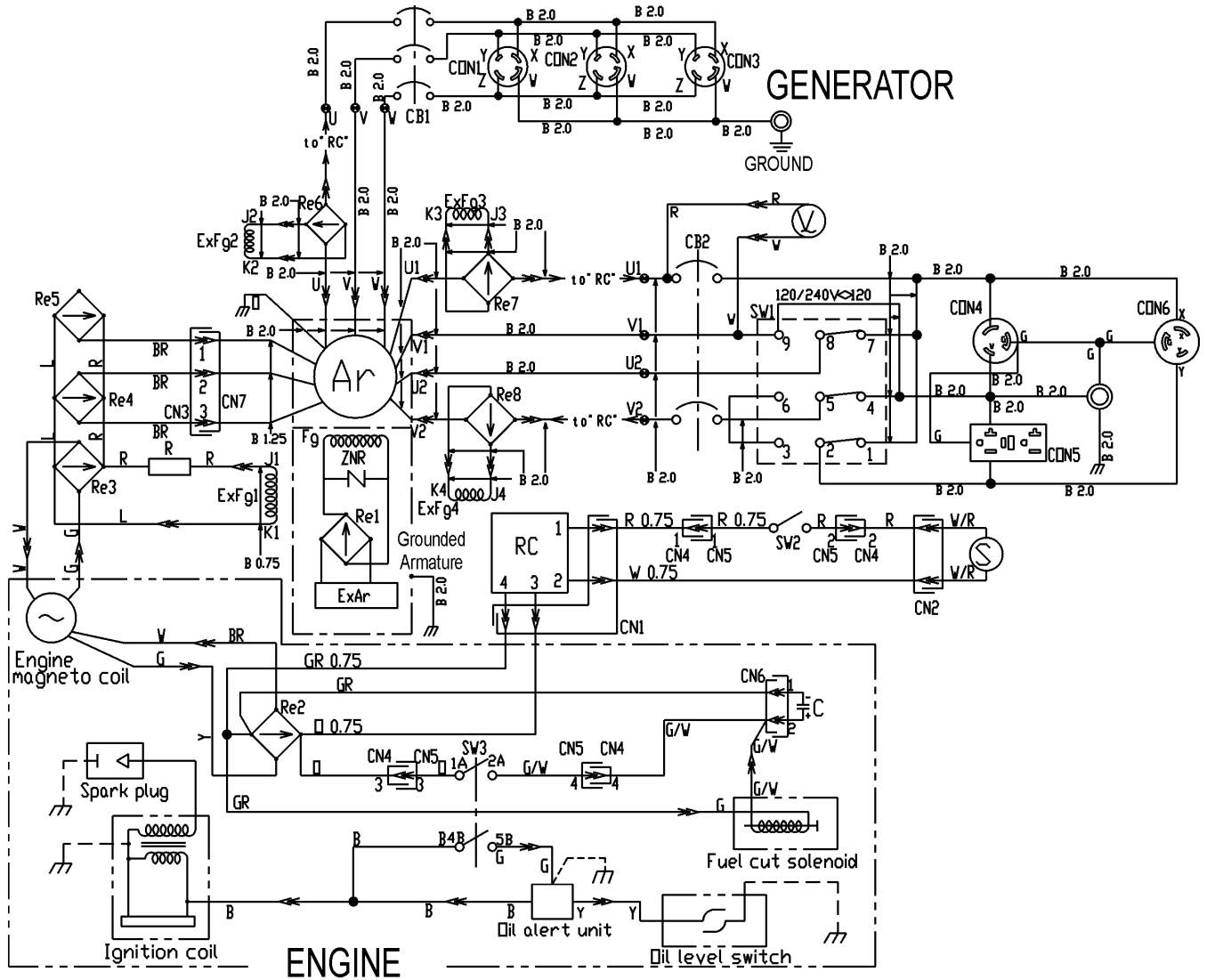


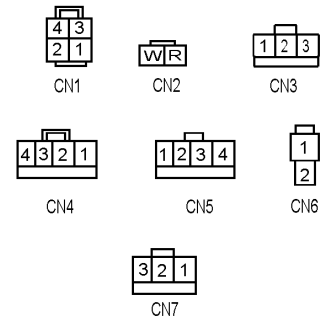
# GDP-5H — WIRING DIAGRAM (GENERATOR) S/N 5543731 AND ABOVE



COLOR CODE			
WIRE COLOR		WIRE COLOR	
B	BLACK	R	RED
L	BLUE	W	WHITE
BR	BROWN	Y	YELLOW
G	GREEN	LB	LIGHT BLUE
GR	GRAY	LG	LIGHT GREEN
V	VIOLET	O	ORANGE
P	PINK		

SYMBOL	DESIGNATION
Ar	MAIN GENERATOR ARMATURE WINDING
Fg-P, N	FIELD WINDING
ExFg1	EXCITATION WINDING
CON1~3	RECEPTACLE 120/208V, 20A
CON4	RECEPTACLE L5-30R, 30A, 125V
CON5	RECEPTACLE 5-20R, GFCI 20A, 125V
CON6	RECEPTACLE L6-20R, 20A, 250A
V	AC VOLT METER 120/240
Re	RECTIFIER
Re2~5	RECTIFIER
Re6~8	RECTIFIER
CB1	EARTH LEAKAGE CIRCUIT BREAKER (30mA) 12.5A
CB2	CIRCUIT BREAKER
SW1	FULL POWER SWITCH
SW2	IDLE CONTROL SWITCH
SW3	OPERATION SWITCH
RC	IDLE CONTROL DEVICE
S	IDLE CONTROL SOLENOID
R	RESISTOR
C	CAPACITOR
	TERMINAL BOARD

CONNECTOR VIEWED AT WIRING SIDE



Generator Wiring Diagram (S/N 5543731 and above)