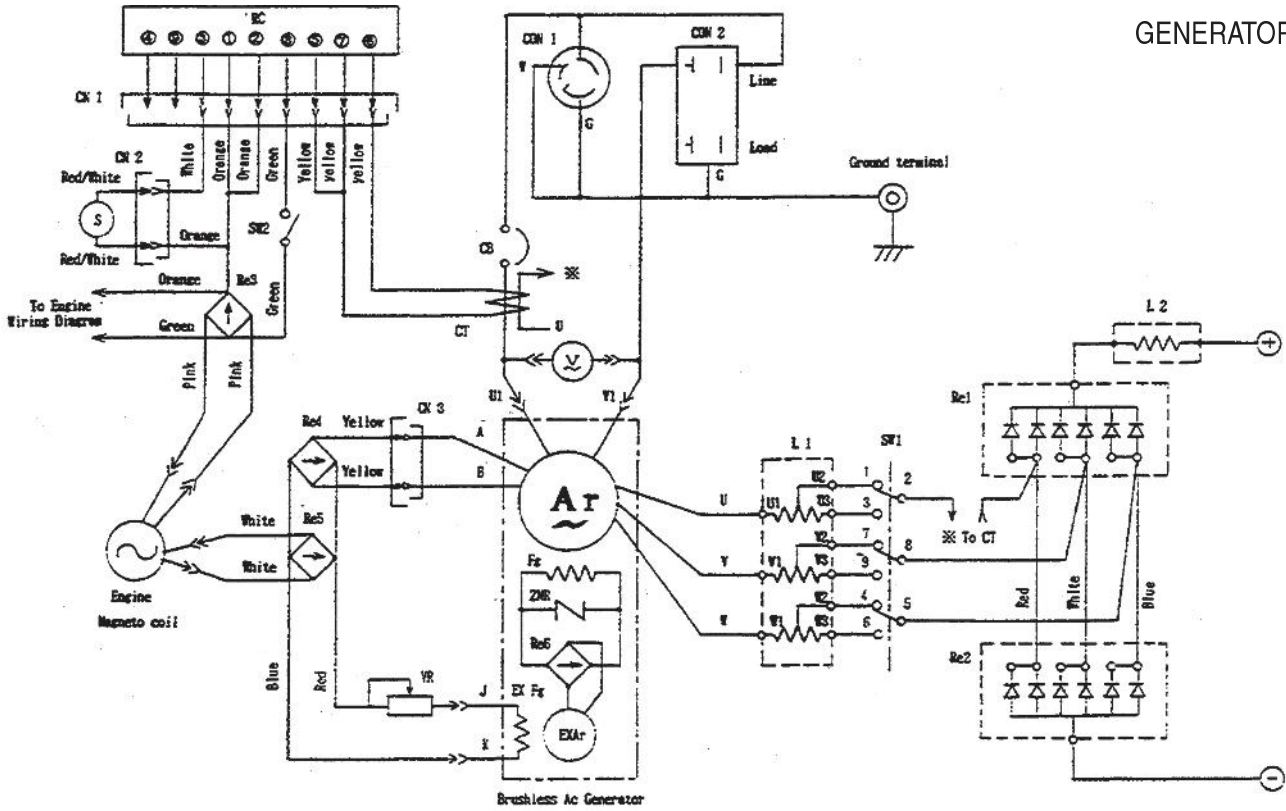


GLW-180H — WIRING DIAGRAM GENERATOR/ENGINE

GENERATOR



SYMBOL	PARTS NAME
Ar	Armature Winding
EX Fg	Excitation Winding
Fg	Field Winding
V	Ac Voltmeter
Con 1,2	Receptacle for 120V
Re 1,2	Rectifier
Re 3~6	Rectifier
CB	Circuit Breaker

SYMBOL	PARTS NAME
SW 1	Current Range Selector
SW 2	Idle Control Switch
RC	Idle Control Device
S	Idle Control Solenid
CT	Current Transformer
VR	Voltage Adjuster
L 1,2	Reactor
+,-	Welding Output Terminal

Receptacle(CN)



CN1



CN2



CN3

Viewed at winding side

ENGINE

