

GFCI SENSING MODULE UPGRADE

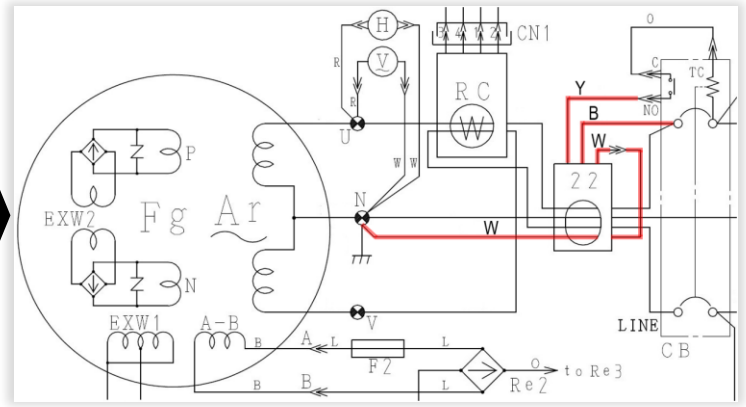
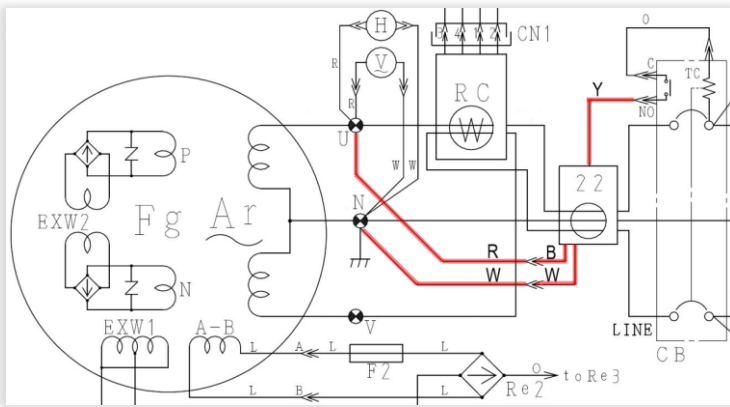
The affected models that use a yellow labeled GFCI with "Self-Testing" GFCI Sensing Module is incompatible with older models. These units may experience nuisance tripping of the GFCI opening the CB. The corrective action is to remove the YELLOW labeled module and install a Black labeled module, P/N 0601829302. When installing, some wiring modifications are required. Use the below diagrams to make the required changes. The change is to reposition the Blk wire from the terminal block to the CB. Contact MQ tech support for assistance.



Item #22 Yellow Labeled Sensing Module

GA9.7HEA

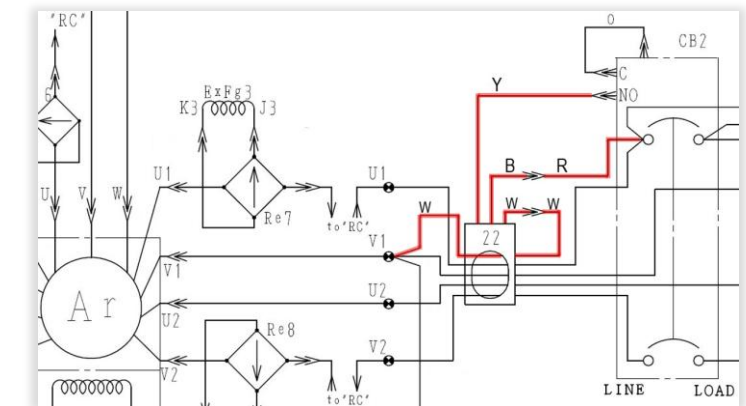
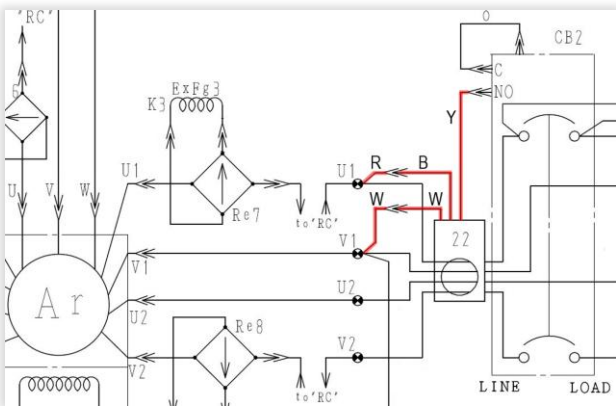
Item #22 Black Labeled Sensing Module



Item #22 Yellow Labeled Sensing Module

GDP5HA

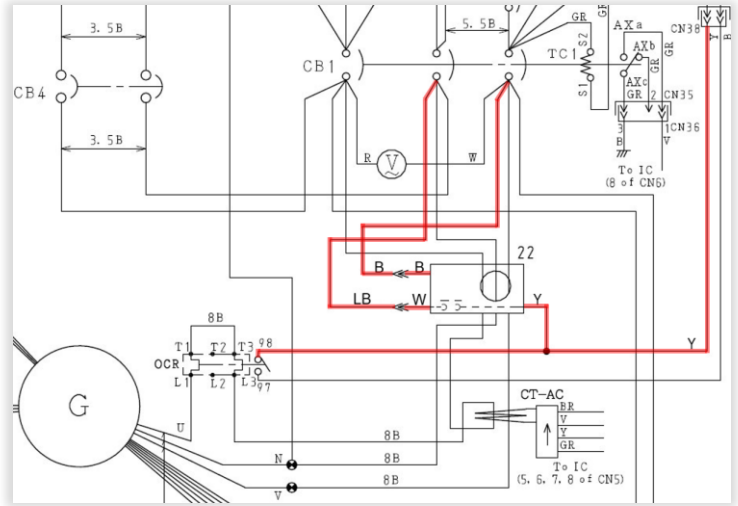
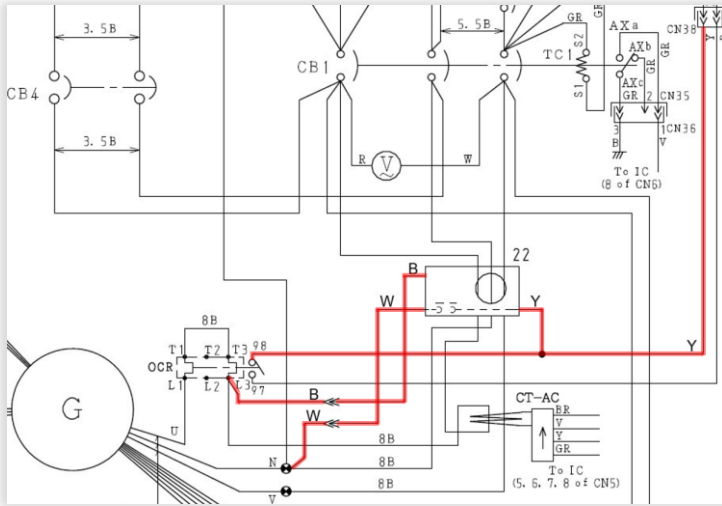
Item #22 Black Labeled Sensing Module



Item #22 Yellow Labeled Sensing Module

DLW330X2

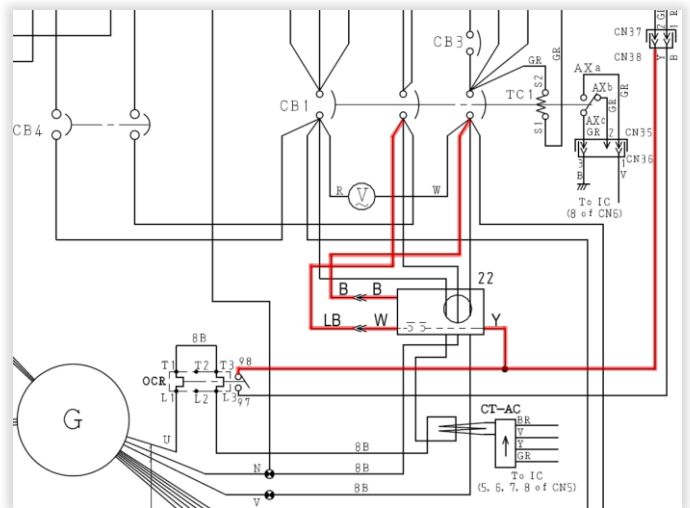
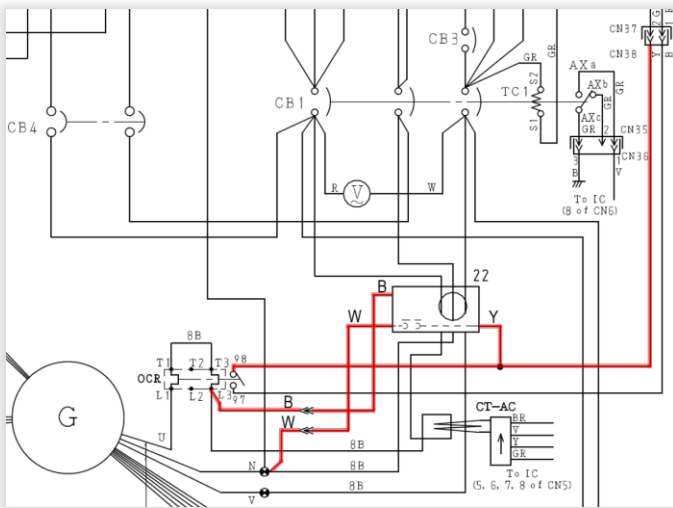
Item #22 Black Labeled Sensing Module



Item #22 Yellow Labeled Sensing Module

DLW400ESA4

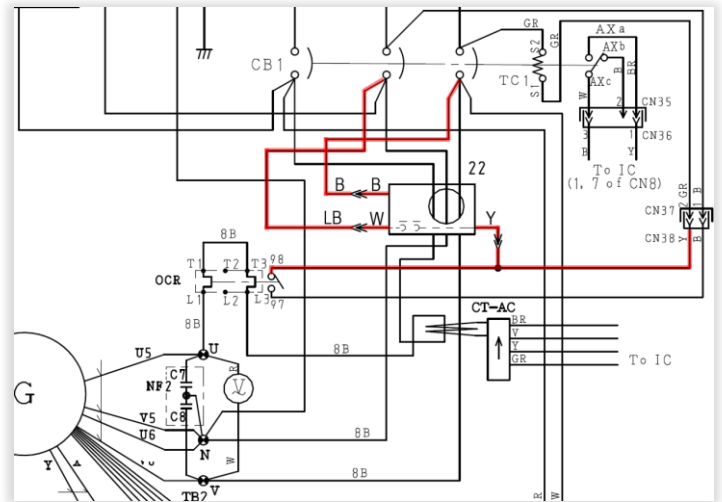
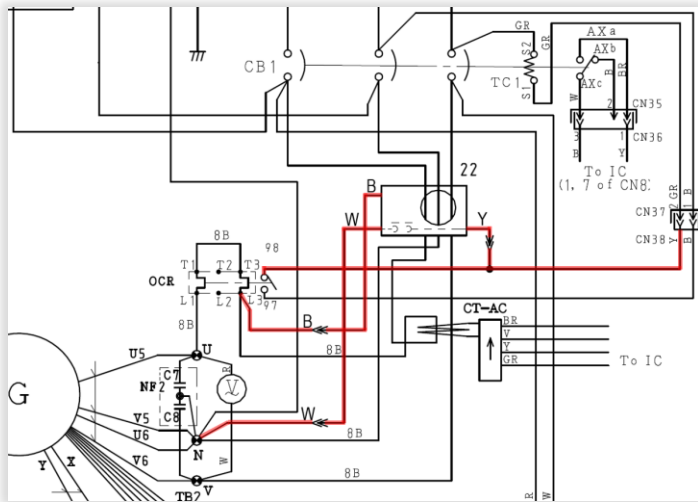
Item #22 Black Labeled Sensing Module



Item #22 Yellow Labeled Sensing Module

DLW500ESA4

Item #22 Black Labeled Sensing Module



© COPYRIGHT 2025, MULTIQUIP INC. Rev. 0 (04212025)