



Service Bulletin
HHNG5 Mechanical Ride-On Trowels
Charcoal Canister Bracket Replacement

Product Group: Ride-On Trowels	Date Issued: 08/02/16	Service Bulletin No. TR20160720
Bulletin Type <input checked="" type="checkbox"/> Mandatory <input type="checkbox"/> Information Only <input type="checkbox"/> Recommended Change		Models/Series Affected: HHNG5 S/N PD0209362 — PD0209401 S/N PE0209411 — PE0209438 S/N PF0209459 — PF0209489

Details Problems: <ul style="list-style-type: none"> a. Fuel from the fuel tank vent hose can spill onto the charcoal canister causing fuel saturation of the canister. Solutions: <ul style="list-style-type: none"> a. Replace existing charcoal canister bracket with new designed bracket. The new bracket allows the canister to be mounted in a position higher than the vent hose.

Parts Information				
Item No.	Part No.	Description	QTY.	Remarks
1	32679	Bracket, Charcoal Canister	1	

WORK SAFELY!

Only a **qualified service technician** with proper training should perform this installation. Follow all shop safety rules when performing this installation.

REQUIRED TOOLS

- Ratchet and Socket Set
- Flat Blade Screwdriver

CHARCOAL CANISTER REMOVAL

1. Place the fuel valve lever (Figure 1) in the **CLOSED** position.

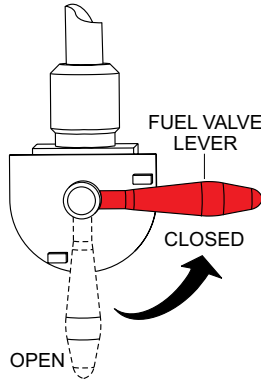


Figure 1. Fuel Valve Lever (Closed)

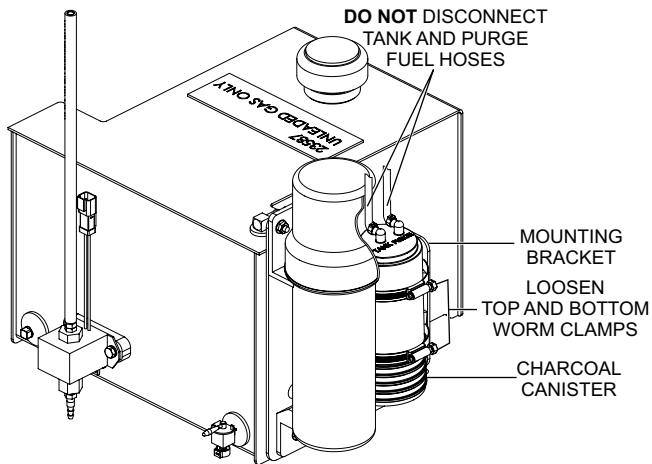


Figure 2. Charcoal Canister Removal

2. Remove the two large worm clamps that secure the canister to the mounting bracket. **DO NOT** discard worm clamps, they will be mounted onto the new mounting bracket.

NOTICE

DO NOT remove **tank** and **purge** fuel hoses from charcoal canister.

3. Remove canister and set on top of fuel tank.

MANUAL HOLDER REMOVAL

1. Unscrew the cap (Figure 3) from the manual holder. This will allow for easy access to the manual holder retaining nuts.

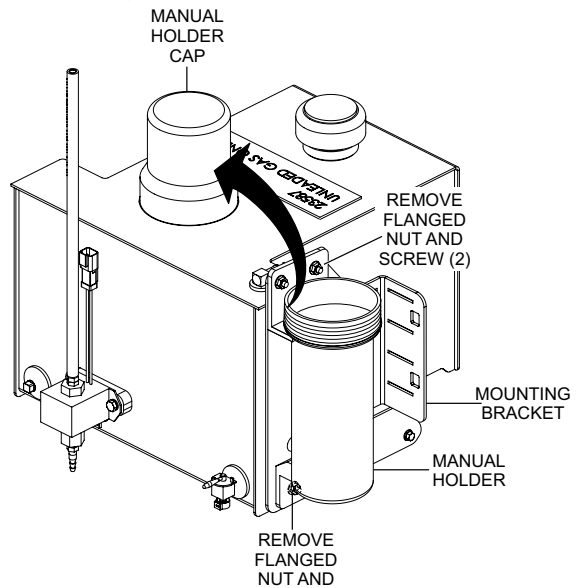


Figure 3. Manual Holder Removal

2. Next, remove the three flanged nuts and screws that secure the manual holder (Figure 3) to the mounting bracket.
3. Remove manual holder from mounting bracket and set aside.

MOUNTING BRACKET REMOVAL

1. Remove the two screws (Figure 4) that secure the mounting bracket to the fuel tank. Screws can be located at bottom of mounting bracket.

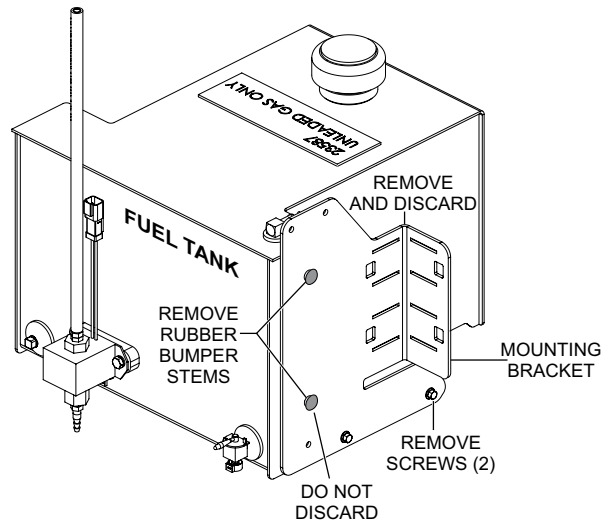


Figure 4. Mounting Bracket Removal

- Remove both existing rubber bumper stems from the mounting bracket. **DO NOT** discard bumper stems, they will be mounted onto the new mounting bracket.
- Discard** mounting bracket.

RUBBER BUMPER STEMS INSTALLATION

- Insert the existing rubber bumper stems (Figure 5) into the hole opening on the **new** mounting bracket (P/N32679).

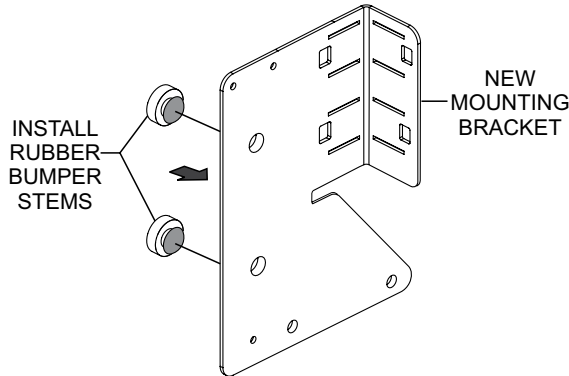


Figure 5. Bumper Stems Installation

MANUAL HOLDER INSTALLATION

- Reinstall manual holder (Figure 6) back onto charcoal canister bracket using the three mounting screws and flanged nuts that were removed earlier (Figure 3).

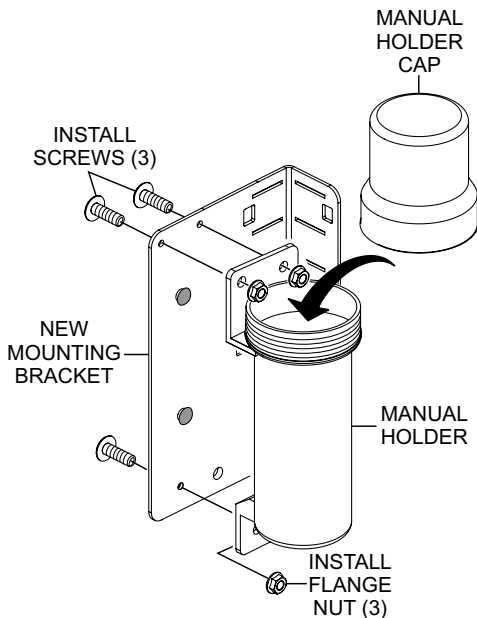


Figure 6. Manual Holder Installation

- Reinstall cap back onto manual holder.

NEW MOUNTING BRACKET/CHARCOAL CANISTER INSTALLATION

- Place new mounting bracket (Figure 7) up against the fuel tank, and secure at bottom of fuel tank using the two mounting screws that were removed earlier (Figure 4).
- Secure charcoal canister (Figure 7) to mounting bracket using the existing large worm clamps. Tighten each clamp securely.

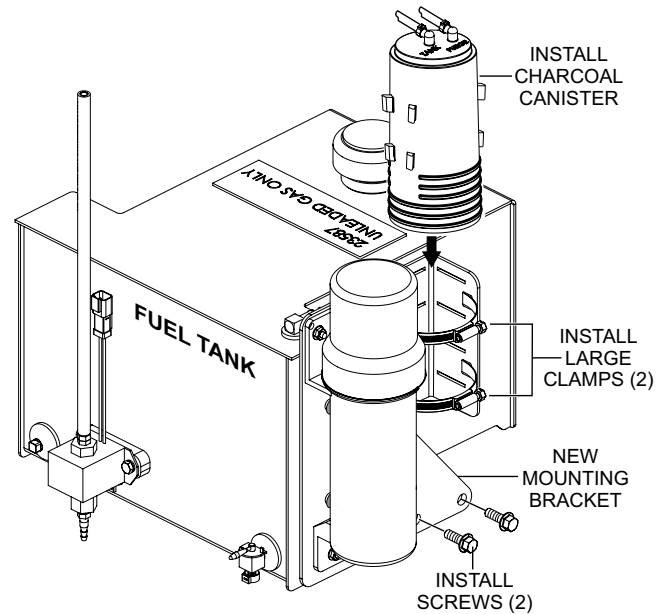


Figure 7. Installing Mounting Bracket/Charcoal Canister

- Place the fuel valve lever (Figure 8) in the **OPEN** position.

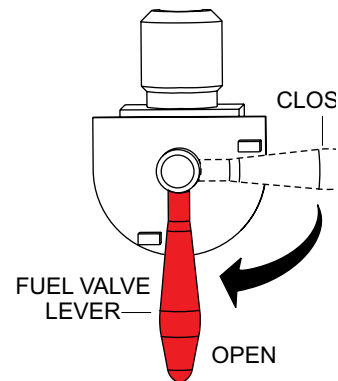


Figure 8. Fuel Valve Lever (Open)

- Start engine and check for fuel leaks.



Service Bulletin

HHNG5 Mechanical Ride-On Trowels

Charcoal Canister Bracket Replacement

HERE'S HOW TO GET HELP

PLEASE HAVE THE MODEL AND SERIAL
NUMBER ON-HAND WHEN CALLING

UNITED STATES

Multiquip Corporate Office

18910 Wilmington Ave. Tel. (800) 421-1244
Carson, CA 90746 Fax (310) 537-3927
Contact: mq@multiquip.com

Service Department

800-421-1244 Fax: 310-537-4259
310-537-3700

Technical Assistance

800-478-1244 Fax: 310-943-2238

MQ Parts Department

800-427-1244 Fax: 800-672-7877
310-537-3700 Fax: 310-637-3284

Warranty Department

800-421-1244 Fax: 310-943-2249
310-537-3700

CANADA

Multiquip

4110 Industriel Boul. Tel: (450) 625-2244
Laval, Quebec, Canada H7L 6V3 Tel: (877) 963-4411
Contact: infocanda@multiquip.com Fax: (450) 625-8664

UNITED KINGDOM

Multiquip (UK) Limited Head Office

Unit 2, Northpoint Industrial Estate, Tel: 0161 339 2223
Globe Lane, Fax: 0161 339 3226
Dukinfield, Cheshire SK16 4UJ
Contact: sales@multiquip.co.uk

© COPYRIGHT 2016, MULTIQUIP INC.

Multiquip Inc and the MQ logo are registered trademarks of Multiquip Inc. and may not be used, reproduced, or altered without written permission. All other trademarks are the property of their respective owners and used with permission.

The information and specifications included in this publication were in effect at the time of approval for printing. Illustrations, descriptions, references and technical data contained in this document are for guidance only and may not be considered as binding. Multiquip Inc. reserves the right to discontinue or change specifications, design or the information published in this publication at any time without notice and without incurring any obligations.

Your Local Dealer is:

