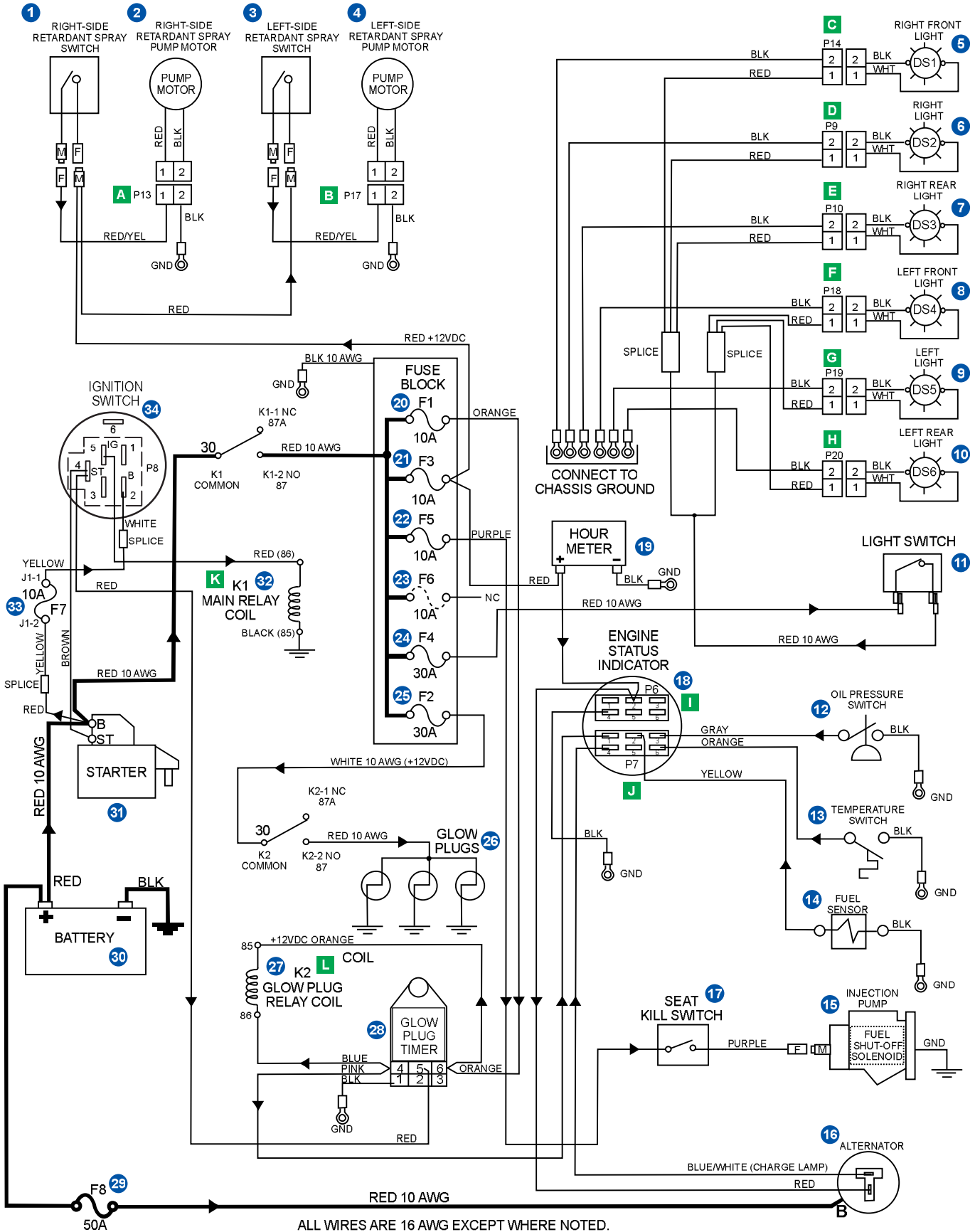
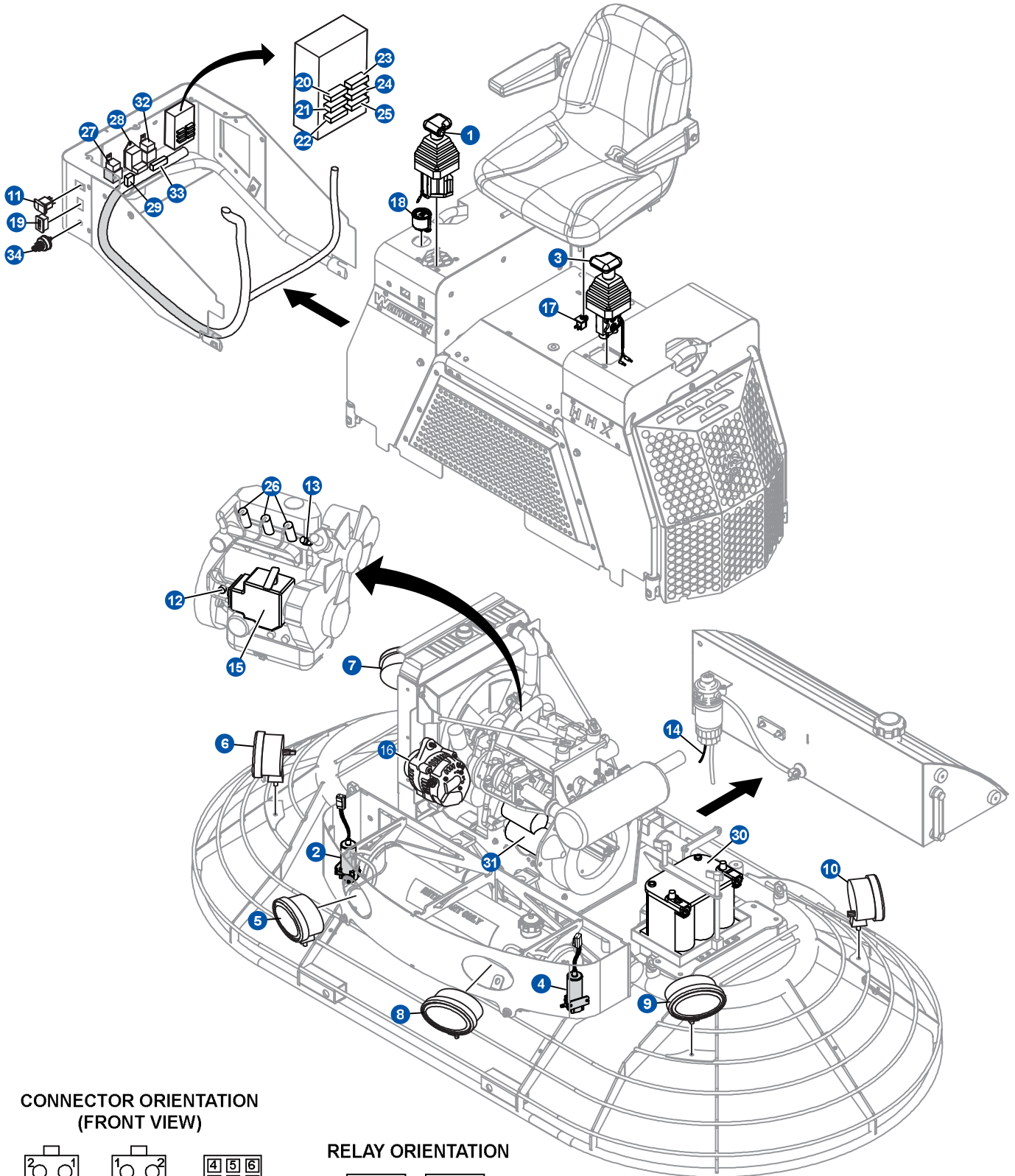


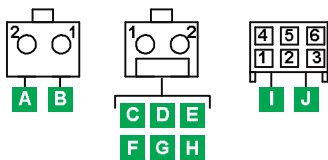
# WIRING DIAGRAM (ENGINE)



# WIRING DIAGRAM (ENGINE)



CONNECTOR ORIENTATION  
(FRONT VIEW)



RELAY ORIENTATION

