

OPERATION & PARTS MANUAL



SideWinder

MODEL HS81 CUT-OFF SAW

Revision #4 (09/12/05)

To find the latest revision of this
publication, visit our website at:
www.multiquip.com



THIS MANUAL MUST ACCOMPANY THE EQUIPMENT AT ALL TIMES.



WARNING



CALIFORNIA — Proposition 65 Warning

Engine exhaust and some of its constituents, and some dust created by power sanding, sawing, grinding, drilling and other construction activities contains chemicals known to the State of California to cause cancer, birth defects and other reproductive harm. Some examples of these chemicals are:

- Lead from lead-based paints.
- Crystalline silica from bricks.
- Cement and other masonry products.
- Arsenic and chromium from chemically treated lumber.

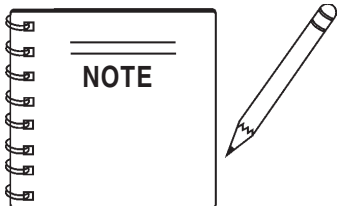
Your risk from these exposures varies, depending on how often you do this type of work. To reduce your exposure to these chemicals: **ALWAYS** work in a well ventilated area, and work with approved safety equipment, such as dust masks that are specially designed to filter out microscopic particles.

HS81 CUT-OFF SAW — TABLE OF CONTENTS

Proposition 65 Warning	2	Carburetor Mounting Assembly	56-57
Table Of Contents	4	Carburetor Assembly	58-59
Parts Ordering Procedures	5	Crankshaft and Piston Assembly	60-61
Safety Message Alert Symbols	6-7	Sprinkler Kit Assembly	62-63
Rules For Safe Operation	8-11	Tools	64-65
Specifications (Saw/Engine)	12	Recommended Diamond Blades	66
Decal Placement	13		
		Terms and Conditions of Sale — Parts	67

MULTIQUIP — HS81 CUT-OFF SAW

Controls & Components	14-15
Saw Assembly Instructions	16-20
Water Kit Installation Procedure	21
Blades	22
Initial Start-Up/Operation	23-24
Maintenance	25
Troubleshooting (Blade)	26
Troubleshooting (Engine)	27-28
Filter Kits	29
Explanation of Codes in Remarks Column	30
Suggested Spare Parts	31
Muffler Assembly	32-33
Recoil Start Assembly	34-35
Crankcase (Clutch Side) Assembly	36-37
Crankcase (Flywheel) Assembly	38-39
V-belt Cover (Clutch Side) Assembly	40-41
V-Belt Cover (Pulley) Blade Guard Assembly	42-43
Fuel, Lifting Handle, and Roller Assembly	44-45
Throttle Linkage Assembly	46-47
Flywheel Cover Assembly	48-49
Flywheel Assembly	50-51
Ignition Assembly	52-53
Air Filter Assembly	54-55



Specifications and part numbers are subject to change without notice.

HS81 CUT-OFF SAW — PARTS ORDERING PROCEDURES

When ordering parts, please supply the following information:

- Dealer account number
- Dealer name and address
- Shipping address (if different than billing address)
- Return fax number
- Applicable model number
- Quantity, part number and description of each part
- Specify preferred method of shipment:
 - ✓ FedEx or UPS Ground
 - ✓ FedEx or UPS Second Day or Third Day
 - ✓ FedEx or UPS Next Day
 - ✓ Federal Express Priority One
 - ✓ DHL
 - ✓ Truck

Note: Unless otherwise indicated by customer, all orders are treated as "Standard Orders", and will ship within 24 hours. We will make every effort to ship "Air Shipments" the same day that the order is received, if prior to 2PM west coast time. "Stock Orders" must be so noted on fax or web forms.



Here's how to get help...

Please have the model and serial number on hand when calling.

Parts Department

800-427-1244 Fax: 800-672-7877
310-537-3700 Fax: 310-637-3284

Mayco Parts

800-306-2926 Fax: 800-672-7877
310-537-3700 Fax: 310-637-3284

Service Department

800-478-1244 Fax: 310-537-4259
310-537-3700

MQ Power Service Department

800-835-2551 Fax: 310-638-8046
310-537-3700

Warranty Department

800-421-1244, Ext. 279 Fax: 310-537-1173
310-537-3700, Ext. 279

Multiquip's Main Phone Numbers

800-421-1244 Fax: 310-537-3927
310-537-3700

Place Your Parts Order Via Web or Fax For Even More Savings!

Extra Discounts!

All parts orders which include complete part numbers and are received by our automated web parts order system, or by fax qualify for the following extra discounts:

Ordered via	Standard orders	Stock orders (\$750 list and above)
Fax	3%	10%
Web	5%	10%

Special freight allowances when you order 10 or more line items via Web or Fax! **

FedEx Ground Service **at no charge for freight**
No other allowances on freight shipped by any other carrier.

NOTE: DISCOUNTS ARE SUBJECT TO CHANGE



MULTIQUIP INC.
18910 WILMINGTON AVENUE
POST OFFICE BOX 6254
CARSON, CALIFORNIA 90749
310-537-3700 • 800-421-1244
FAX: 310-537-3927
E-MAIL: mq@multiquip.com
WWW: multiquip.com

Direct TOLL-FREE access to our Parts Department:

Toll-free nationwide — 800-427-1244

HS81 CUT-OFF SAW — SAFETY MESSAGE ALERT SYMBOLS

FOR YOUR SAFETY AND THE SAFETY OF OTHERS!

Safety precautions should be followed at all times when operating this equipment. Failure to read and understand the Safety Messages and Operating Instructions could result in injury to yourself and others.



This Owner's Manual has been developed to provide complete instructions for the safe and efficient operation of the MULTIQUIP MODEL HS81 **CUT-OFF SAW**. For engine maintenance information, please refer to the maintenance section of this manual for data relative to its safe operation.

Before using this SAW, ensure that the operating individual has read and understands all instructions in this manual.

SAFETY MESSAGE ALERT SYMBOLS

The three (3) Safety Messages shown below will inform you about potential hazards that could injure you or others. The Safety Messages specifically address the level of exposure to the operator, and are preceded by one of three words: **DANGER**, **WARNING**, or **CAUTION**.



DANGER: You **WILL** be **KILLED** or **SERIOUSLY** injured if you **DO NOT** follow directions.



WARNING: You **CAN** be **KILLED** or **SERIOUSLY** injured if you **DO NOT** follow directions.



CAUTION: You **CAN** be injured if you **DO NOT** follow directions.

HAZARD SYMBOLS



Lethal Exhaust Gases



Engine exhaust gases contain poisonous carbon monoxide. This gas is colorless and odorless, and can cause death if inhaled. **NEVER** operate this equipment in a confined area or enclosed structure that does not provide ample free flow air.



Explosive Fuel



Gasoline is extremely flammable, and its vapors can cause an explosion if ignited. **DO NOT** start the engine near spilled fuel or combustible fluids. **DO NOT** fill the fuel tank while the engine is running or hot. **DO NOT** overfill tank, since spilled fuel could ignite if it comes into contact with hot engine parts or sparks from the ignition system. Store fuel in approved containers, in well-ventilated areas and away from sparks and flames. **NEVER** use fuel as a cleaning agent.



Burn Hazards



Engine components can generate extreme heat. To prevent burns, **DO NOT** touch these areas while the engine is running or immediately after operations. **NEVER** operate the engine with heat shields or heat guards removed.



Rotating Parts



NEVER operate equipment with covers, or guards removed. Keep **fingers, hands, hair** and **clothing** away from all moving parts to prevent injury.

HS81 CUT-OFF SAW — SAFETY MESSAGE ALERT SYMBOLS



Accidental Starting



OFF **ALWAYS** place the engine ON/OFF switch in the **OFF** position, when the saw is not in use.



Respiratory Hazard



ALWAYS wear approved respiratory protection.



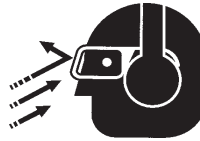
Over Speed Conditions



NEVER tamper with the factory settings of the engine governor or settings. Personal injury and damage to the engine or equipment can result if operating in speed ranges above maximum allowable.



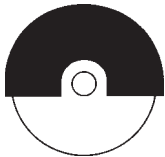
Sight and Hearing hazard



ALWAYS wear approved eye and hearing protection.



Guards and Covers In Place



NEVER operate the saw without blade guards and covers in place. Adhere to safety guidelines ANSI, OSHA, or other applicable local regulations.



Equipment Damage Messages

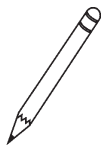
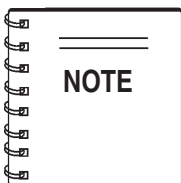
Other important messages are provided throughout this manual to help prevent damage to your concrete saw, other property, or the surrounding environment.



Rotating Blade



Rotating blade can cut and crush. Keep hands and feet clear.



This **concrete/asphalt saw**, other property, or the surrounding environment could be damaged if you do not follow instructions.

HS81 CUT-OFF SAW — RULES FOR SAFE OPERATION

RULES FOR SAFE OPERATION

CAUTION:



Failure to follow instructions in this manual may lead to serious injury or even death! This equipment is to be operated by trained and qualified personnel only! This equipment is for industrial use only.

The following safety guidelines should always be used when operating the Multiquip Model HS81 Cut-off Saw. Unless otherwise noted, these guidelines refer to saws with gasoline powered engines.

SAFETY

- **DO NOT** operate or service this equipment before reading this entire manual.



- This equipment should not be operated by persons under 18 years of age.
- **NEVER** operate the saw without proper protective clothing, shatterproof glasses, steel-toed boots and other protective devices required by the job.



- **NEVER** operate this equipment when not feeling well due to fatigue, illness or taking medicine.

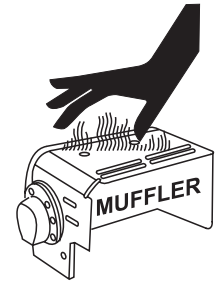


- **NEVER** operate the saw under the influence of drugs or alcohol.



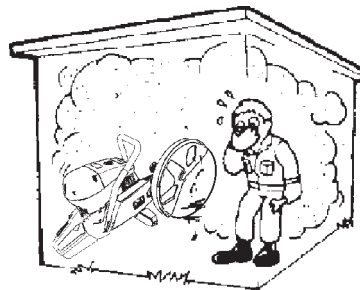
- **NEVER** use accessories or attachments, which are not recommended by Multiquip for this equipment. Damage to the equipment and/or injury to user may result.
- Manufacturer does not assume responsibility for any accident due to equipment modifications. Unauthorized equipment modification will void all warranties.
- Whenever necessary, replace nameplate, operation and safety decals when they become difficult read.
- **ALWAYS** check the saw for loosened hardware such as nuts and bolts before starting.

- **NEVER** touch the hot exhaust manifold, muffler or cylinder. Allow these parts to cool before servicing the saw.



- **High Temperatures** – Allow the engine to cool before adding fuel or performing service and maintenance functions. Contact with **hot!** components can cause serious burns.

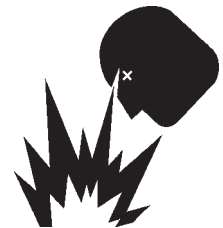
- The engine of this saw requires an adequate free flow of cooling air. **NEVER** operate the saw in any enclosed or narrow area where free flow of the air is restricted. If the air flow is restricted it will cause serious damage to the saw's engine and may cause injury to people. Remember the saw's engine gives off **DEADLY** carbon monoxide gas.



restricted it will cause serious damage to the saw's engine and may cause injury to people. Remember the saw's engine gives off **DEADLY** carbon monoxide gas.

- **ALWAYS** refuel in a well-ventilated area, away from sparks and open flames.

- **ALWAYS** use extreme caution when working with **flammable** liquids. When refueling, **STOP** the engine and allow it to cool.



- **NEVER smoke** around or near the saw. Fire or explosion could result from **fuel vapors**, or if fuel is spilled on a **hot!** engine.



- **NEVER** operate the saw in an explosive atmosphere where fumes are present or near combustible materials. An explosion or fire could result causing severe **bodily harm or even death**.

- **ALWAYS** move the saw at least 10 feet away from the fueling point before starting the engine and make sure the gas cap on the saw and the fuel can are properly tightened.

- Topping-off to filler port is dangerous, as it tends to spill fuel.
- **NEVER** use fuel as a cleaning agent.

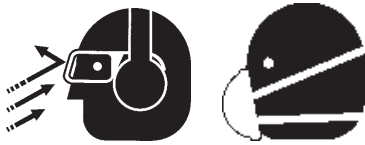
HS81 CUT-OFF SAW — RULES FOR SAFE OPERATION

General Safety

- **ALWAYS** read, understand, and follow procedures in Operator's Manual before attempting to operate this equipment.

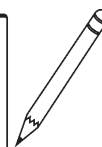
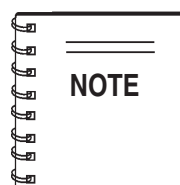


- **ALWAYS** wear proper respiratory (mask), hearing and eye protection equipment when operating the saw.



- **ALWAYS** be sure the operator is familiar with proper safety precautions and operating techniques before using the saw.
- **ALWAYS** inspect the blade, flanges and shafts for damage before installing the blade.
- **ALWAYS** use high-speed, reinforced, abrasive blades - 1/8" (3.17 mm) thick (minimum) or high-speed, diamond blades specifically rated with a maximum operating speed of at least 5,400 RPM on 14" (350 mm) or 6,200 RPM on 12" (300 mm).
- **ALWAYS** use high-speed reinforced, abrasive blades or high-speed, diamond blades marked with a 1" (25.4 mm) hole for a 1" (25.4 mm) flange, or a 20 mm hole for a 20 mm flange.
- **ALWAYS** use abrasive blades or high-speed diamond blades marked for use with gasoline-powered, hand-held, portable, abrasive cutting-off saws.
- **ALWAYS** read all safety materials and instructions that accompany any blade used with this saw.
- **ALWAYS** inspect each blade carefully before using it. If there are any signs of damage or unusual wear, **DO NOT USE THE BLADE.**
- **ALWAYS** verify the blade arbor hole matches the saw's spindle before mounting the blade.
- **ALWAYS** mount the blade **solidly** and **firmly**. Wrench tighten the arbor nut.
- **ALWAYS** make sure the blade and flanges are clean and free of dirt and debris before mounting the blade on the saw.
- **ALWAYS** use the correct blade for the type of work being done. Check with blade manufacturer if you do not know if blade is correct for desired application.

- **ALWAYS** hold the saw with both hands when the engine is running. Use a firm grip with thumbs and fingers encircling the handles.
- **ALWAYS** keep all parts of the body away from the cutting-off blades when the engine is running.
- **ALWAYS** keep the handles dry, clean and free of oil or fuel.
- **ALWAYS** carry the saw with the engine stopped and the muffler away from the body.
- **ALWAYS** instruct bystanders on where to stand while the saw is in operation.
- **ALWAYS** clear the work area of unnecessary people.
- **NEVER** allow anyone to stand in front of or behind the blade while the engine is running.
- **ALWAYS** make sure the blade is not contacting any objects before starting the engine.
- **ALWAYS** check for buried electrical cables before sawing. If unsure, contact the local utilities.
- **ALWAYS** have all service and maintenance performed by competent trained service personnel.
- **ALWAYS** clean the saw after each day's use.
- **ALWAYS** have a copy of this manual at the job site.
- **ALWAYS** stop the engine before servicing, adding fuel and oil.
- **ALWAYS** service air cleaner frequently to prevent carburetor malfunction.
- **ALWAYS** keep clear of **rotating** or **moving parts** while the saw is in operation.
- **ALWAYS** maintain this saw in a **safe** operating condition at **all times**.
- **ALWAYS** keep any inexperienced and unauthorized people away from the saw at all times.
- **ALWAYS** store saw properly when it is not being used. Equipment should be stored in a clean, dry location out of the reach of children.



This saw is designed for certain applications only. **DO NOT** use or modify this saw for any application other than for which it was designed.

HS81 CUT-OFF SAW — RULES FOR SAFE OPERATION

- **NEVER** leave the machine *unattended* while running.
- **NEVER** run the engine without the air filter. Severe engine damage could occur.
- **NEVER** wear jewelry or loose fitting clothing that may snag on the controls or moving parts, this can cause a serious injury.
- **NEVER** operate this saw without the blade guard, or other protective guards in place.
- **NEVER** stand behind or in front of the blade path while the engine is running.
- **NEVER** use abrasive blades that are less than 1/8" (3.17 mm) thick.
- **NEVER** exceed maximum blade speed shown for each blade size. Excessive speed could result in blade breakage.
- **NEVER** use a damaged saw or blades.
- **NEVER** try to stop a moving blade with your hand.
- **NEVER** use an abrasive blade that has been dropped.
- **NEVER** use carbide-tipped or toothed type blades of any kind.
- **NEVER** use segmented diamond blades unless they are specifically designed for high-speed, hand-held saws.
- **NEVER** place 1 inch (25.4 mm) arbor hole blades on 20 mm flanges.
- **NEVER** use the side of a cutting-off blade as a grinder.
- **NEVER** cock, jam or wedge the blade in the cut.
- **NEVER** operate the saw if the blade does not stop rotating when the throttle trigger is released.
- **NEVER** start cutting until you have a clear work area and secure footing.
- **NEVER** allow other persons to be near the saw when starting, refueling, or when the saw is operating.
- **NEVER** allow bystanders or animals in the work area while using a cutting-off machine.
- **NEVER** touch a dry cutting diamond blade immediately after use. These blades require several minutes to cool after each cut.
- **NEVER** use damaged or worn blade flanges. Discard any damage or worn saw parts.
- **NEVER** allow blade exposure from the guard to be more than 180 degrees.
- **NEVER** operate this saw without both hands on the handles.

Diamond Blade Safety

- Use appropriate steel centered diamond blades manufactured for use on concrete saws.



WARNING

- **ALWAYS** inspect diamond blades before each use. The blade should exhibit no cracks, dings, or flaws in the steel centered core and/or rim. Center (arbor) hole must be undamaged and true.
- Examine blade flanges for damage, excessive wear and cleanliness before mounting blade. Blade should fit snugly on the shaft and against the inside/outside blade flanges.
- Ensure the blade is marked with an operating speed greater than the blade shaft speed of the saw.
- Only cut the material that is specified by the diamond blade. Read the specifications of the diamond blade to ensure the proper tool has been matched to the material being cut.
- **ALWAYS** keep blade guards in place. Exposure of the diamond blade must not exceed 180 degrees.
- Ensure that the diamond blade does not come into contact with the ground or surface during transportation. **DO NOT** drop the diamond blade on ground or surface.
- The engine governor is designed to permit maximum engine speed in a no-load condition. Speeds that exceed this limit may cause the diamond blade to exceed the maximum safe allowable speed.
- Ensure that the blade is mounted correctly for proper operation.



Saw Transportation Safety

- **NEVER** transport the saw with the blade mounted.
- **ALWAYS** use caution when *lifting* and *transporting* this saw.
- **ALWAYS** tie-down the saw when transporting.
- **ALWAYS** use caution and follow the instructions when loading and unloading the saw.

HS81 CUT-OFF SAW — RULES FOR SAFE OPERATION

EMERGENCIES

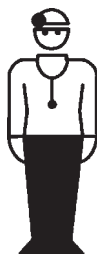
- **ALWAYS** know the location of the nearest **fire extinguisher**.



- **ALWAYS** know the location of the nearest **first aid kit**.



- In emergencies **always** know the location of the nearest phone or **keep a phone on the job site**. Also know the phone numbers of the nearest **ambulance**, **doctor**, and **fire department**. This information will be invaluable in the case of an emergency.



HS81 CUT-OFF SAW — SPECIFICATIONS

Table 1. HS81 Cut-off Specifications

Dimensions (Shipping) LxWxH	50 x 33 x 18 in. (1270 x 838 x 457 mm)
Weight	24.6 lbs. (11.2 kg)
Blade Size	12 in. (305 mm) 14 in. (356 mm)
Maximum Cut Depth	4 in. (100 mm) 5 in. (127 mm)
Arbor Size	1 in. (20 mm)
Cutting Arm	Reversible

Table 2. HS81 Power Source Specifications

Engine Type	Two-Stroke, Single Cylinder, Air cooled	
Displacement	5.0 cu. ft. (81 cc.)	
Maximum Spindle Speed	5,100 RPM	
Engine Speed	10,000 RPM	
Idle Speed	2,500 RPM	
Dimensions (LxWxH)	27 x 17 x 8.6 in. (686 x 432 x 218 mm)	
Fuel Tank Capacity	.23 Gallons. (.9 Liters)	
Fuel/Oil Mix Ratio	See Figure 22	
Starting Method	Recoil Start	
Ignition	Type	Electronic Speed Controlled
	Gap	.015 in. (.25 mm)
Spark Plugs	Manufacturer	Champion
	Type	CJ7Y
	Gap	.030
Carburetor	Manufacturer	Walbro
	Model	WJ85
	Type	Diaphragm EPA Approved

HS81 CUT-OFF SAW — DECAL PLACEMENT



P/N DCL 230

Machine Operation And Safety Decals

The HS81 CUT-OFF SAW is equipped with a number of operation and safety decals. Should any of these decals become unreadable, replacements can be obtained from your dealer.

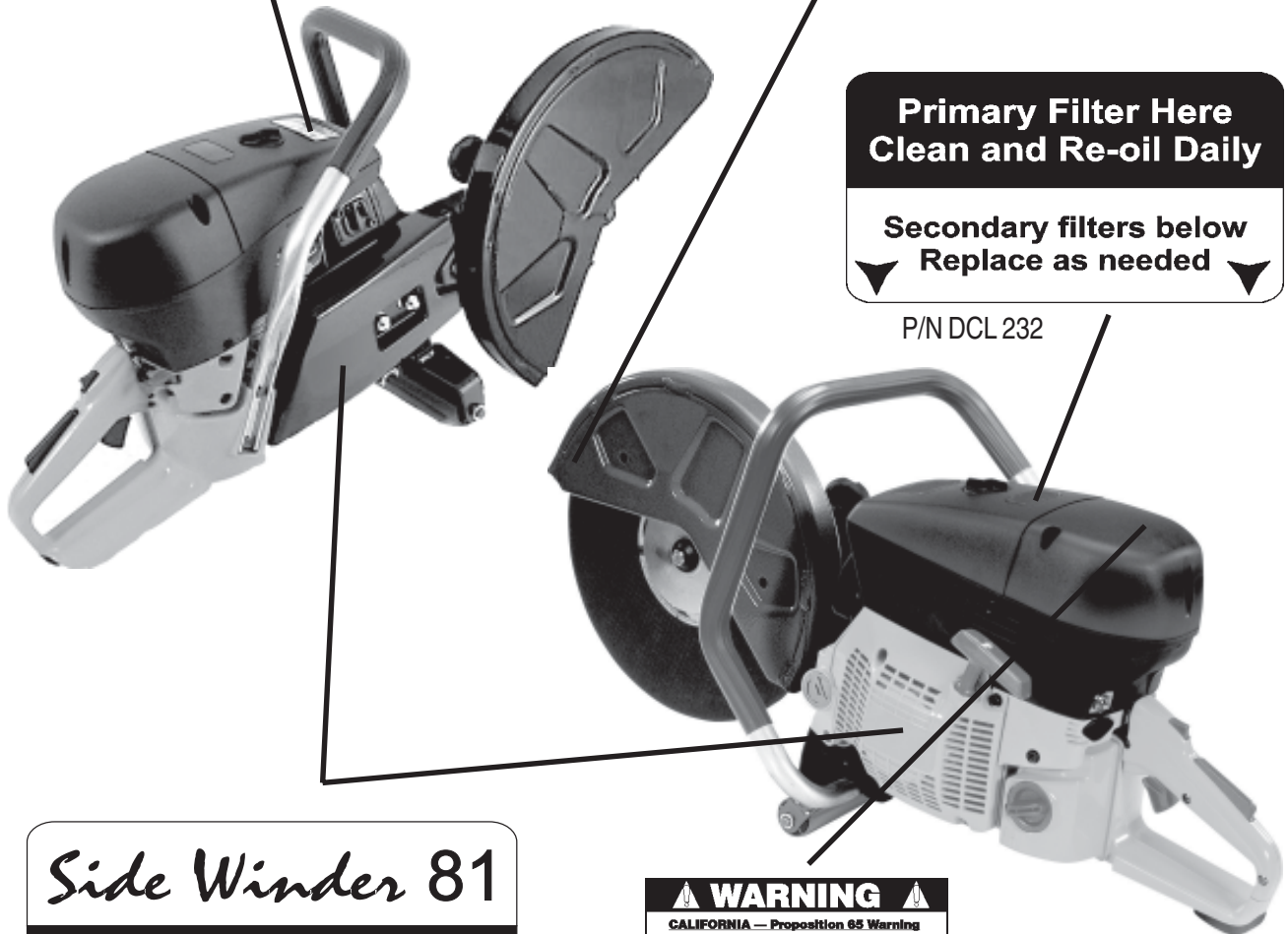
R.P.M.
5100

P/N DCL 231

**Primary Filter Here
Clean and Re-oil Daily**

**Secondary filters below
Replace as needed**

P/N DCL 232



Side Winder 81
MULTIQUIP

P/N DCL 234

▲ WARNING ▲

CALIFORNIA — Proposition 65 Warning
Engine exhaust and some of its constituents, and some dust created by power sanding, sawing, grinding, drilling and other construction activities contains chemicals known to the State of California to cause cancer, birth defects and other reproductive harm. Some examples of these chemicals are:

- Lead from lead-based paints.
- Crystalline silica from bricks.
- Cement and other masonry products.
- Arsenic and chromium from chemically treated lumber.

Your risk from these exposures varies, depending on how often you do this type of work. To reduce your exposure to these chemicals: **ALWAYS** work in a well ventilated area, and work with approved safety equipment, such as dust masks that are specially designed to filter out microscopic particles.

P/N DCL 161

HS81 CUT-OFF SAW — CONTROLS & COMPONENTS

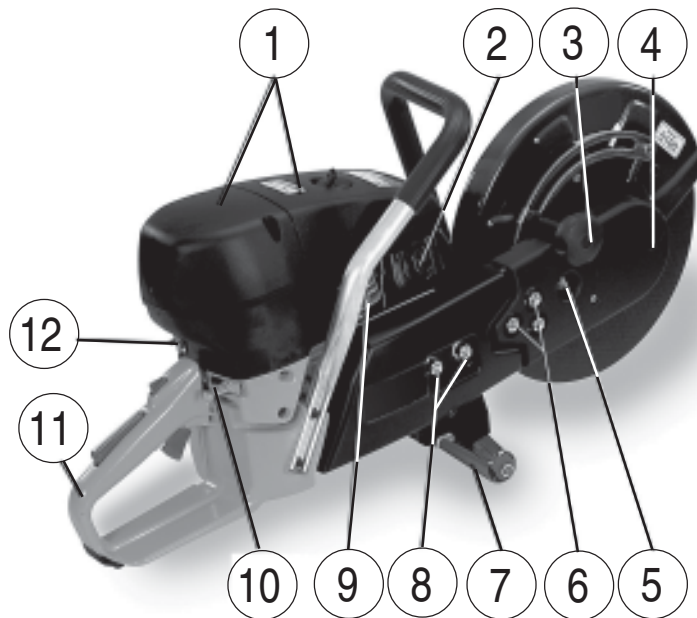


Figure 2. HS81 Cut-off Saw Components 1

Figures 2 and 3 shows the location of the basic controls or components for the Multiquip Model HS81 Cut-off Saw. Listed below is a brief explanation of each control or component.

1. **Air Filter** – Prevents dirt and debris from entering the engine air intake. Check filter periodically and keep cleaned or replace when necessary. **NEVER** run engine with a dirty air filter.
2. **Muffler** – Used to reduce noise and emissions. **NEVER!** touch muffler when engine is running. Allow engine to cool down. This component gets extremely hot!
3. **Guard Adjustmet Knob** – Allows for the adjustment of the blade guard. Turn this knob clockwise to tighten, counter-clockwise to loosen.
4. **Pulley Lock Pin Hole** – Insert a phillips head screw driver or similar tool into this hole to prevent the pulley from rotating.
5. **V-belt Tensioning Cam** – Allows for the adjustment of the V-belt. To tighten V-belt turn clockwise, to slacken turn counterclockwise.
6. **V-belt Cover (Pulley)** – Unscrew these 3 nuts to remove the pulley V-belt cover. **NEVER** operate the saw with this cover removed.
7. **Roller Wheel** – Allows for easy free movement of the saw when cutting on a flat surface.
8. **V-belt Cover (Clutch)** – Unscrew these 2 nuts to remove the clutch V-belt cover. **NEVER** operate the saw with this cover removed. It may be necessary to remove the pulley cover first before this cover can be removed.
9. **Decompression Valve** – Push inward when starting engine.
10. **Choke Lever** – Used in the starting of a cold engine, or in cold weather conditions. The choke enriches the fuel mixture.
11. **Rear Handle** – When starting engine, place right foot onto rear handle base. For normal operation always place one hand on the rear handle and the other hand on the upper handle. Always use two hands when operating the saw.
12. **Engine ON/OFF Switch** – **ON** position permits engine starting, **OFF** position stops engine operation.

HS81 CUT-OFF SAW — CONTROLS & COMPONENTS

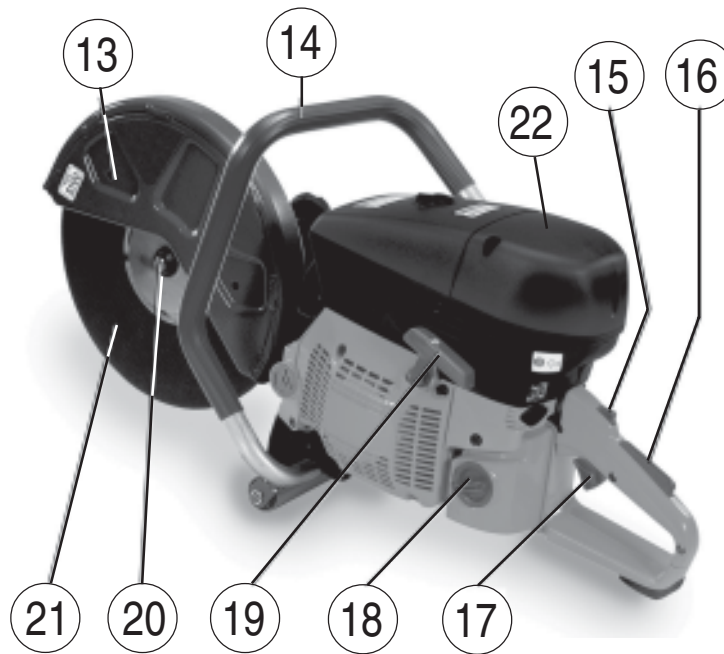


Figure 3. HS81 Cut-off Saw Components 2

13. **Blade Guard** – Covers saw blade.
14. **Front Handle** – When lifting or carrying of the saw is required, use this handle.
15. **Throttle Lock Lever** – Using your thumb, press this lever downward and squeeze the trigger lever to lock the throttle in place. This will allow the saw blade to rotate at maximum speed without having to hold the trigger lever. Squeeze the trigger lever again to unlock the throttle.
16. **Variable Throttle Lever** – To obtain a variable blade speed, press this lever downward then squeeze the throttle trigger.
17. **Throttle Trigger Lever** – Squeeze this lever to start the saw blade rotation. Release the trigger lever to stop the saw blade rotation. This lever is to be used in conjunction with either the throttle lock or variable throttle levers.
18. **Fuel Filler Cap** – Remove this cap to add mixed fuel (requires a 50:1 mixture) to the fuel tank. This saw uses a 2-stroke engine. Make sure fuel cap is tightened securely. **DO NOT** over fill. See Figure 25 for correct fuel to oil mixture.
19. **Recoil Starter (pull rope)** – Manual-starting method. Pull the starter grip until resistance is felt, then pull briskly and smoothly.
20. **Blade Shaft Nut** – Loosen to remove the cutting blade from the outer and inner flanges.
21. **Cutting Blade** – Use appropriate type blades for desired cutting application.
22. **Spark Plug** – Provides spark to the ignition system. Set spark plug gap to 0.02 inch (0.5 mm). Clean spark plug once a month.

HS81 CUT-OFF SAW — ASSEMBLY INSTRUCTIONS

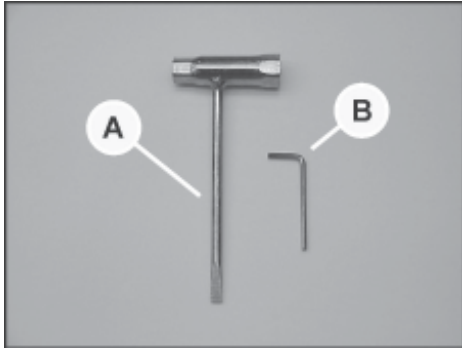


Figure 4. Tool Kit

The Multiquip *Side Winder* Cut-Off Saw comes with a Tool Kit (Figure 1) that assists you with day to day operations. You will need these tools for the assembly of your saw.

Item **A** is a versatile screwdriver/wrench that accommodates common bolt/screw and nut head sizes of your saw.

Item **B** is the wrench necessary to accommodate various allen screws.

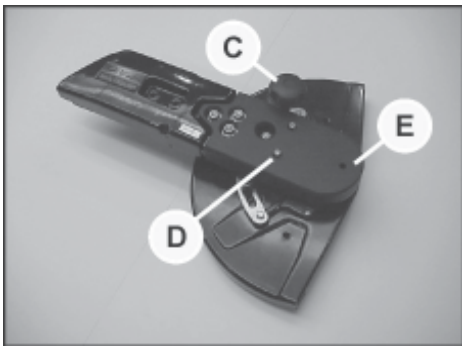


Figure 5. Cutting Arm

Locate the Cutting Arm and remove it from the box.

Remove the following items from the Cutting Arm Assembly:

- Guard Adjustment Knob **C**
- Two Cap Screws (2) **D**
- Cover Guard **E**

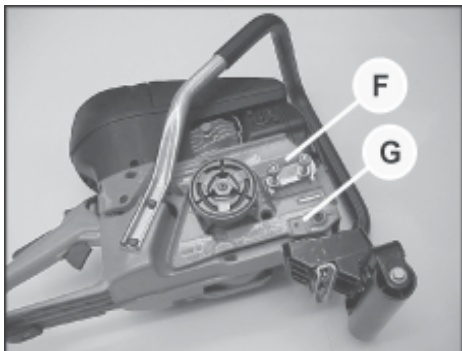


Figure 6. Main Saw Body

Locate the Main Saw Body and remove it from the box.

Remove the following items from the Main Saw Body:

- Two Security Nuts and Washers **F**
- One Cap Screw **G**

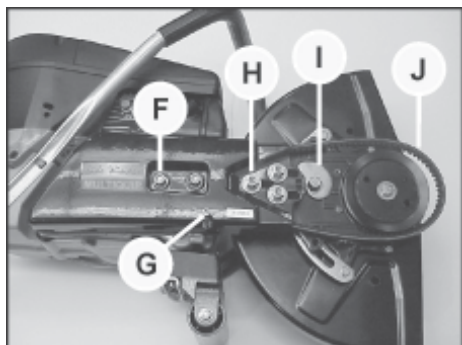


Figure 7. Cutting Arm Collapsed

Verify that the **cutting arm** is in the collapsed position, items **H** will be at the rear of the slots as shown in Figure 7. Walk the belt item **J** off the spindle pulley.

Install the **main cutting arm** ~ ensure that the V-belt is firmly seated around the **crankshaft pulley groove** (see Figure 8).

Ensure the main cutting arm is seated all the way on the **main saw body**, and re-install the hardware that you previously removed (items **F** and **G**) and fully tighten.

HS81 CUT-OFF SAW — ASSEMBLY INSTRUCTIONS

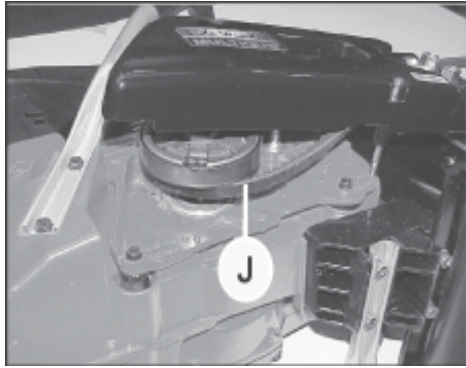


Figure 8. Drive V-Belt

During the assembly procedure of the **cutting arm** to the **main body**; and prior to the final tensioning of the drive V-belt **J**, it is essential that the drive V-belt is properly positioned around the **crankshaft pulley** (also see Figure 7).

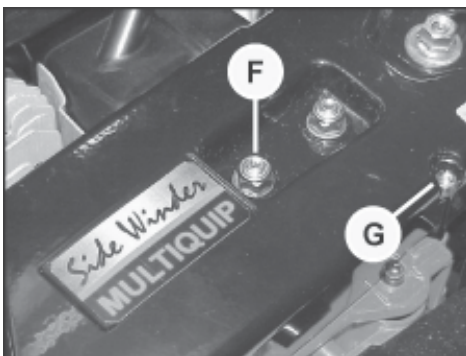


Figure 9. Cutting Arm Hardware

When the cutting arm is fully seated, you should be able to observe about 4 mm of thread showing past the nut **F**, and minimal gapping between the cutting arm and the crankcase.

Re-install the caphead hex screw and washer **G**, and securely tighten.

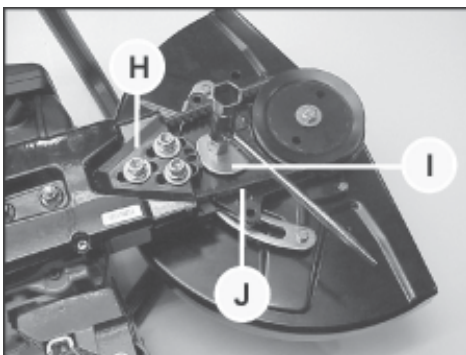


Figure 10. V-Belt Tensioning

Walk the V-belt **J** onto the **spindle pulley**, and adjust the three **nuts H** until slightly snug.

To adjust the V-belt tension, loosen the three nuts **H**. Tension the V-belt by turning the **V-belt Tensioning Cam I** until the Cam locks in place, using the provided wrench **A**. The V-belt should remain in tension once the cam is properly positioned. **DO NOT** over tension.

Fully tighten the three nuts **H**.

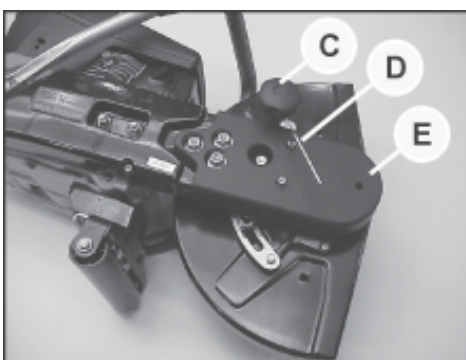


Figure 11. Re-Installing Cover Guard

Re-install the **cover guard E**, and fully tighten the two cap screws **D** and replace the adjustment knob **C**.

HS81 CUT-OFF SAW — ASSEMBLY INSTRUCTIONS

Blade Installation Procedure

STEP 1

For proper installation, first remove the **blade shaft nut** ①, **outer flange** ②, and **inner** “dual-arbor” flange ③.

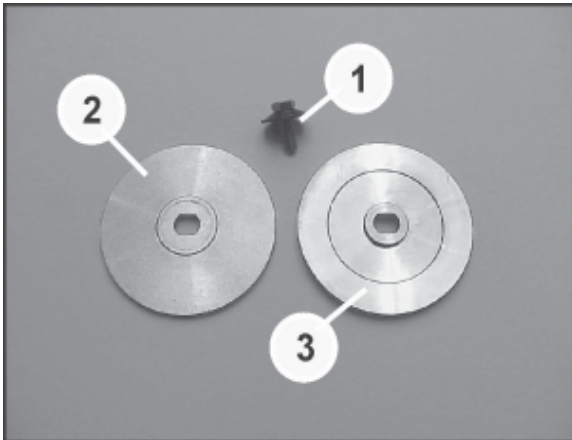


Figure 12. Inner and Outer Flanges (Removal)

STEP 2

A dual sided, “dual-arbor” **inner flange** ③ accommodates either a 20 mm or 1-inch arbor hole for operator safety and convenience. The **outer flange** ② fits on top of the cutting blade.

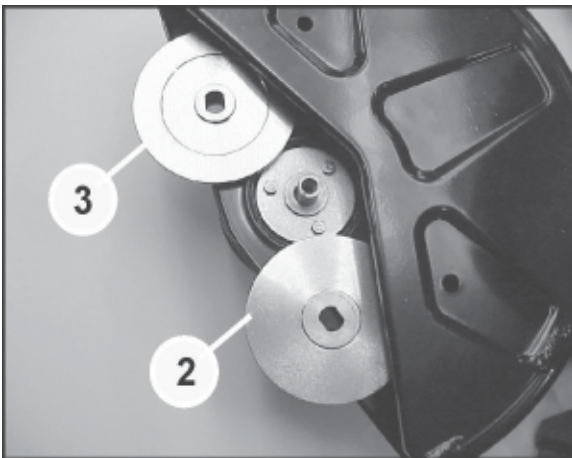


Figure 13. Inner and Outer Flanges (Placement)

STEP 3

Choose the proper **blade arbor** side of the **inner flange** (to match your cutting blade arbor) and place this selected side to the blade shaft ④.

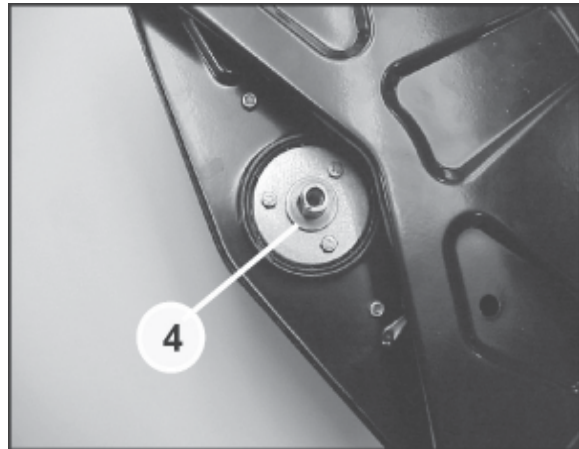


Figure 14. Selecting the Proper Blade Arbor

STEP 4

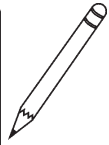
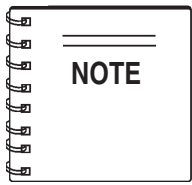
Match the arbor side to the dimension of your blade arbor and “sandwich” between the inner and outer flanges. Tighten the blade shaft nut ① securely to hold the blade in place.



Figure 15. Securing the Cutting Blade

HS81 CUT-OFF SAW — ASSEMBLY INSTRUCTIONS

Reversing the Cutting Arm Procedure



This assembly procedure permits the operator to reorient the **cutting blade** closer to a wall, column and/or object.

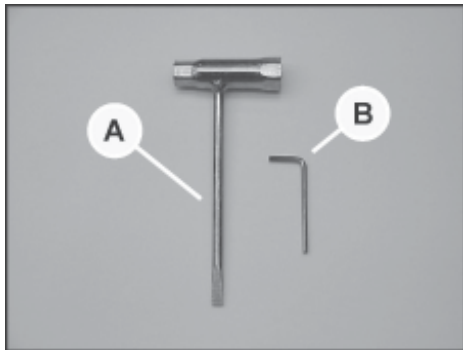


Figure 16. Tool Kit

The Multiquip *Side Winder* Cut-Off Saw comes with a Tool Kit (Figure 16) that assist you with day to day operations. You will need these tools for the assembly of your saw.

Item **A** is a versatile screwdriver/wrench that accommodates common bolt/screw and nut head sizes of your saw.

Item **B** is the wrench necessary to accommodate various allen screws.

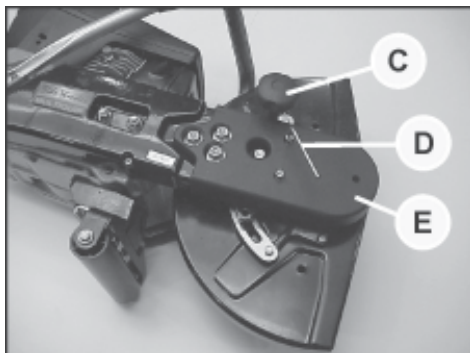


Figure 17. Inside Center Cutting Position

This position displays the **cutting blade on the inside** (center) cutting position. To reverse the blade position continue with the following steps:

Remove the following items from the **Cutting Arm Assembly** to expose the V-belt:

- Guard Adjustment Knob **C**
- Two Cap Screws **D**
- Cover Guard **E**

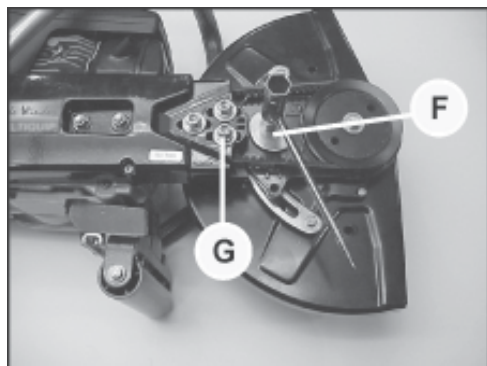


Figure 18. Belt Tensioning Cam

Loosen the **belt tensioning cam** **F** and remove the three nuts and washers **G**. This will take tension off the V-belt, and permit you to reverse the **cutting arm**.

HS81 CUT-OFF SAW — ASSEMBLY INSTRUCTIONS

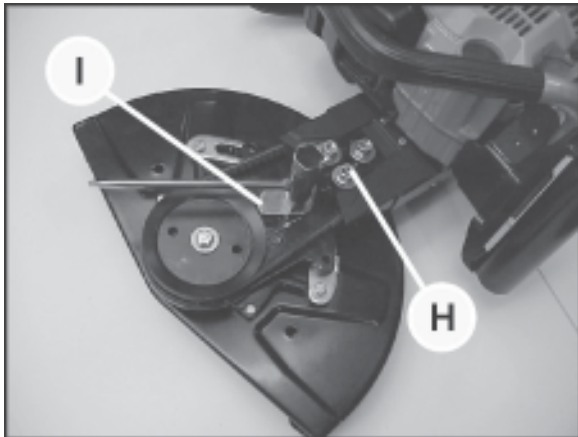


Figure 19. Reversing the Cutting Arm

Reverse the **cutting arm** 180 degrees as shown in the Figure 19, and re-tension the V-belt by turning the **belt tensioning cam I**. The V-belt should remain in tension.

Fully tighten the three nuts and washers **H** that lock the V-belt into the proper tensioning position.

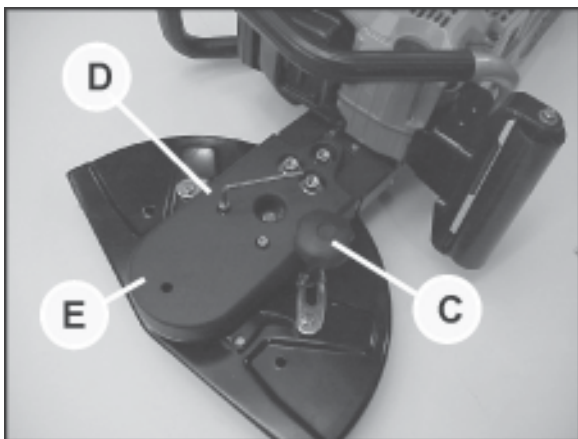


Figure 20. Re-attaching Cover Guard

Re-attach the **cover guard E** with the 2 cap screws **D**, and reconnect the **guard adjustment knob C**.

HS81 CUT-OFF SAW — WATER KIT INSTALLATION PROCEDURE

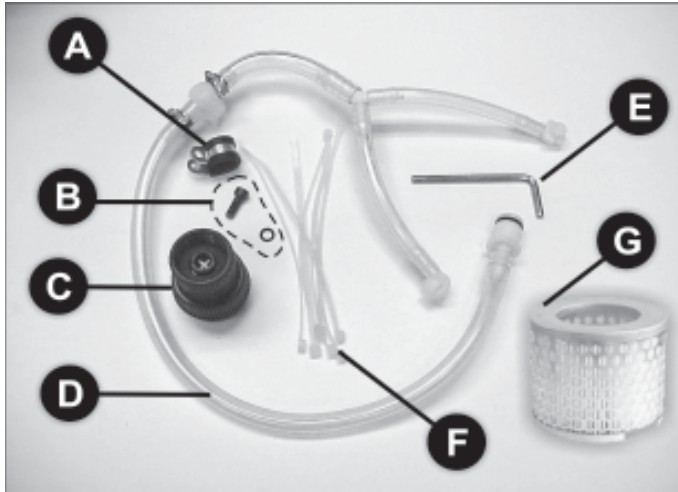


Figure 21. Water Kit Parts

Contents of Water Kit

The contents of the Water Kit cannot be purchased separately. See page 63-63 for Water Kit part number.

Hose Clamp (A)

Socket Head Cap Screw w/ Washer (B)

Quick Disconnect Fitting (C)

Water Hose (D)

Hex Key Tool (E) (Included with Tool Kit, page 64, Item 1)

Plastic Ties (F)

Wet Air Filter Canister (G) (Sold Separately)

Water Kit Installation Procedure

- 1 Connect the **Quick Disconnect Fitting** (C) to the single end of the **Water Hose** (D).
- 2 Snap fit the **Water Hose Outlets** (D) to the **Holes** in the **Blade Guard**. Orient the **Water Hose** (D) through the **Front Handle**.
- 3 Loop the **Hose Clamp** (A) around the **Water Hose** (D) and fasten the clamp to the **Roller Bar Support Arm** using the **Socket Head Cap Screw w/ Washer** (B), and **Hex Key Tool** (E).
- 4 Use the **Plastic Ties** (F) as preferred to further secure the hose fittings and water hose to the saw.
- 5 When using the Water Kit option for your saw, the **Dry Air Filter Canister** **MUST** be replaced with the **Wet Air Filter Canister** (G) (See page 54, Item 10).

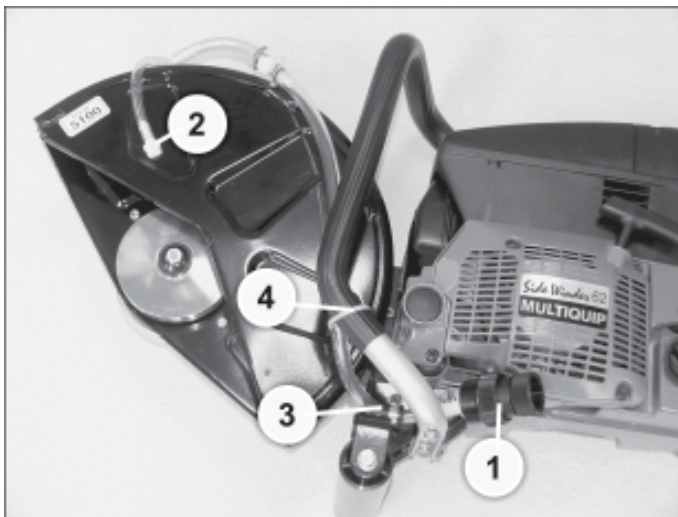


Figure 22. Water Kit Assembly Points

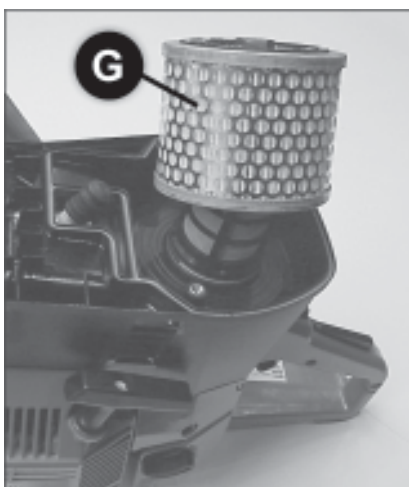


Figure 23. Wet Air Filter Canister

PREPARATION / PRE-INSPECTION

1. Read and fully understand this manual, the safety instructions in particular, and the engine manufacturer's manual supplied with the saw.



2. Select the correct blade for each application. If abrasive blades are used, **MAKE CERTAIN** they are designed for use on a concrete floor saw. They must be reinforced and have a hole for the driving pin. When wet cutting with an abrasive blade, **MAKE CERTAIN** the blade is intended for wet cutting. Water will destroy a dry cut abrasive blade. Some diamond blades require water cooling and failure to do so will destroy them almost immediately. Other diamond blades can be used with or without water.
3. Handle all blades with care and **NEVER** use a damaged blade. **NEVER** use an abrasive blade that has been dropped.

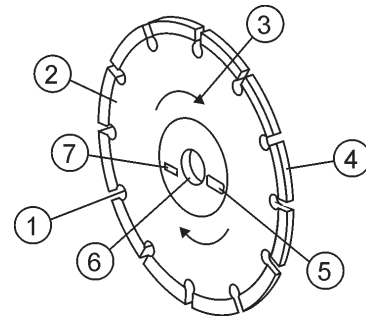


Figure 21. Diamond Blade

BLADES

Saw blades, or cutting disks, are available in either an abrasive design or as diamond blades. Either blade will work on the HS81 CUT-OFF SAW, however, diamond blades are recommended. Ask your dealer about your specific cutting application.

SAW BLADE INSPECTION



WARNING



Failure to thoroughly inspect the diamond blade (Figure 21) for operational safety could result in damage to the blades or the saw and may cause injury to the user or others in the operating area.

1. **Stress Relief Holes (Gullets)** - Check the steel core for cracks that may have propagated from the slots and/or gullets. Cracks indicate extreme fatigue failure and if sawing continues, catastrophic failure will occur.

2. **Edge of the Steel Core** - Check the diameter edge for discoloration (blue oxidation) indicating an overheating condition caused by insufficient cooling water/air. Overheating of blades may lead to loss of core tension and/or increase the possibility for blade failure. Make sure the steel core's width is uniform about the rim of the blade, and not succumbing to an "under-cutting" condition brought about by highly abrasive material or improper under-cutting core protection
3. **Directional Arrow** - Ensure that the blade is oriented properly on the blade shaft for sawing. Reference the directional arrow on the blade and place it so the direction of rotation "downcuts" with the turn of the shaft.
4. **Diamond Segment or Rim** - Ensure there are no cracks, dings, or missing portions of the diamond segment/rim. **DO NOT use a blade that is missing a segment or a portion of the rim.** Damaged and/or missing segments/rims may cause damage to your saw or injury to the user or others in the operating area.
5. **Specifications** - Ensure that the blade specifications, size, and diameter properly match up to sawing operations. Utilizing a blade not matched properly to the task may result in poor performance and/or blade damage.
6. **Arbor Hole** - It is essential that the arbor hole diameter properly matches the blade, and that it is free from distortion. Correct blade flanges (collars) must be used. The inside face of the flanges must be clean and free of debris. An out-of-round arbor condition will cause damage to the blade and the saw.
7. **MAX RPM** - This RPM reference is the maximum safe operating speed for the blade selected. **NEVER** exceed the max RPM on the diamond blade. Exceeding the maximum RPM is dangerous and may cause poor performance and may damage the blade.

HS81 CUT-OFF SAW — INITIAL START-UP/OPERATION

INITIAL START-UP

CAUTION



DO NOT attempt to operate the saw until the Safety, General Information and Inspection sections of this manual have been read and thoroughly understood. Depending on engine manufacturer, operating steps may vary. See engine manufacturer's operating manual.

CAUTION



NEVER operate the saw in a confined area or enclosed area structure that does not provide ample **free flow of air**.



ALWAYS wear approved eye and hearing protection before operating the saw.



NEVER place hands or feet inside the belt guard or blade guard while the engine is running. **ALWAYS** shut the engine down before performing any kind of maintenance service on the saw.



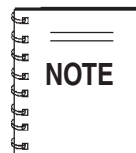
Explosive Fuel

Fuel Check

Motor fuels are highly flammable and can be dangerous if mishandled. **DO NOT** smoke while refueling. **DO NOT** attempt to refuel the saw if the engine is **hot!** or **running**.



1. Remove the fuel cap located on the side of the saw.
2. Visually inspect to see if fuel level is low. If fuel is low, replenish with **fuel oil mixture** as shown in Figure 22.
3. When refueling, be sure to use a strainer for filtration. **DO NOT** top-off fuel. Wipe up any spilled fuel.



This saw uses a 2-stroke engine which requires a mixture of **premium 92 octane** unleaded gasoline and smoke free 2-stroke motor oil. See Figure 22.

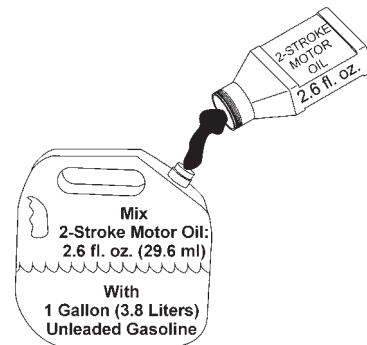
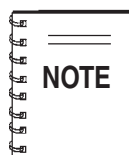


Figure 22. Fuel to Oil Mixture

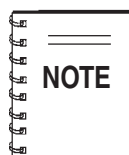


For correct fuel to oil mixture, add 2.6 fl. oz (29.6 ml) of 2-stroke motor oil to 1 gallon (3.8 liters) of **premium 92 octane unleaded gasoline**. For a **5 gallon** can of **premium** unleaded gasoline add 13 fl. oz (384 ml) of 2-stroke motor oil.

A bottle (2.6 fl. oz) of smokeless 2-stroke motor oil **cannot be purchased separately**. Only a case of 36 individual bottles can be purchased. When ordering use Multiquip P/N 00325.

Starting

1. Place the engine ON/OFF switch in the **ON** position
2. Using your thumb, press down on the throttle lock lever, while squeezing the throttle trigger. This will lock the throttle in the **half-throttle** position.
3. Pull the choke lever all the way out to the **CLOSED** position.
4. Pull the **decompression button** outward.
5. Place the saw on level ground. Make sure the saw blade is free to rotate and will not come into contact with any foreign objects.
6. Hold the front handle firmly with the left hand and put your right foot onto the base of the rear handle.



The **CLOSED** position of the choke lever enriches the fuel mixture for starting a **COLD** engine. The **OPEN** position provides the correct fuel mixture for normal operation after starting, and for restarting a warm engine.

HS81 CUT-OFF SAW — INITIAL START-UP/OPERATION

7. Grasp the **starter grip** and slowly pull it out. The resistance becomes the hardest at a certain position, corresponding to the compression point. Pull the starter grip briskly and smoothly for starting.
8. If the engine has started, slowly return the choke lever to the "**OPEN**" position. If the engine has not started repeat steps 1 through 9.
9. Squeeze the throttle lever trigger to release it from the **half-throttle** position.
10. Before the saw is placed into operation, run the engine for several minutes. Check for fuel leaks, and noises that would associate with a loose guards and/or covers.

OPERATION



ALWAYS cut with the saw at **FULL THROTTLE**. Attempting to cut with the saw at less than full throttle could cause the blade to bind or stop abruptly in the slab resulting in serious injury to the operator or others in the area.



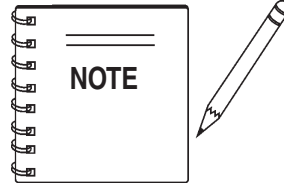
ALWAYS keep clear of **rotating** or **moving** parts while operating this equipment.

2. To begin sawing, lower the rotating blade allowing it to cut to the preset depth.
3. When blade has reached full cutting depth, slowly walk behind the saw at a rate that will allow the engine to operate without losing optimum RPM.

CAUTION



DO NOT try to cut faster than the blade will allow. Cutting too fast will cause the blade to rise up out of the cut. Improper cutting rate can decrease the life of the engine and blades.



Mark the cutting line clearly and always saw in a **STRAIGHT LINE ONLY**.

4. When the end of the cut has been reached, raise the blade out of the cut .
5. If cutting is complete, turn the engine off and wait for the blade to stop rotating.

Shut-down

1. Let the engine idle for 3-5 minutes.
2. Place the engine ON/OFF switch to the **OFF** position
3. Wait for the blade to stop spinning before handling the saw.
4. **DO NOT** touch the cutting blade it is very **hot!**, allow it to cool, severe burn condition exists.

Air/Fuel Filter Maintenance Procedures

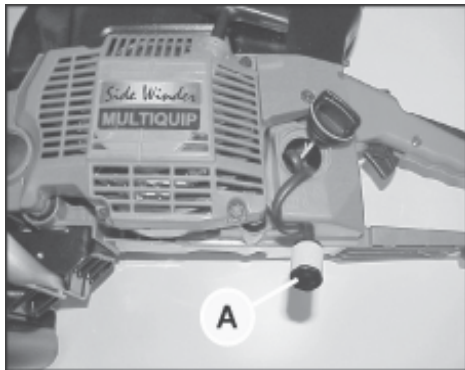


Figure 24. Fuel Filter

Check the **fuel filter** **A** located inside the fuel tank periodically for dirt/debris build up. It is recommended to change the fuel filter every **50 tanks of fuel**.

This engine is a 2-stroke gasoline engine requiring a specific fuel to oil mixture of 50:1(2%). It is recommended to use an unleaded gasoline rated at 92 octane (**premium**) with an oil for use on 2-stroke engines only. See Figure 22.

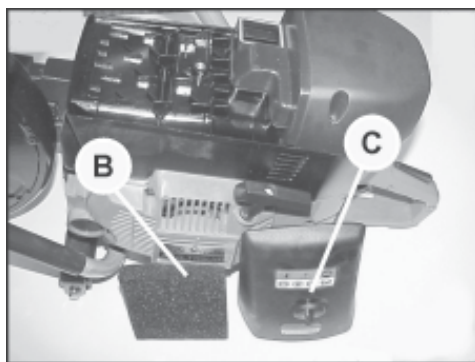


Figure 25. Pre-Filter

It is highly recommended to keep a supply of spare **pre-filters** on hand. Maintaining the **foam pre-filter**, and regular exchanges will prolong the life of the **main filter element**.

Every 8 hours of operation, remove the **pre-air cleaner cover** **C** and wash the foam **pre-cleaner** **B** in warm fresh soapy water. Let dry thoroughly. When dry, completely coat the filter with only an approved **foam filter oil**.

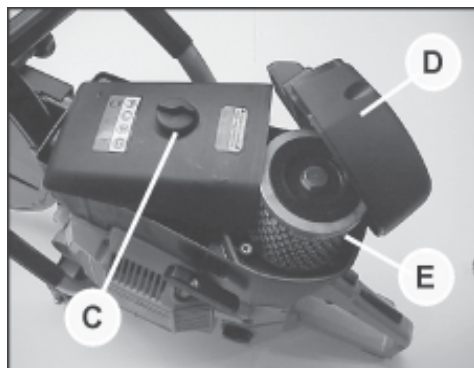


Figure 26. Main Filter Element

Every 8 hours of operation, remove the **covers** **C** and **D** and inspect the **main filter element**. Clean the **main filter element** **E** by vigorously shaking out and dusting off with a soft brush. **DO NOT** air blast clean this element with compressed gas.

The main filter element should be replaced after **three pre filter changes**

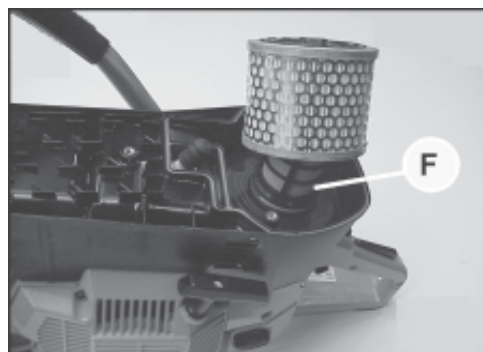


Figure 27. Supplementary Filter

Every 8 hours of operation, inspect the **supplementary filter element** **F**. Clean the **supplementary filter element** **F** by vigorously shaking out and dusting off with a soft brush. **DO NOT** air blast clean this element with compressed gas.

The **supplementary filter element** should be replaced after **three pre filter changes**.

HS81 CUT-OFF SAW — TROUBLESHOOTING (SAW)

TABLE 3. BLADE TROUBLESHOOTING

SYMPTOM	POSSIBLE PROBLEM	SOLUTION
Blade slows or stops cutting.	Blade too hard for the material being cut?	Consult Dealer or Multiquip for correct blade. Try cutting very soft material (sandstone, silica brick, cinder block) to "Redress" the blade.
	Engine torque diminished because of loose V-belt?	Tighten and/or replace V-Belts.
	Insufficient engine power?	Check throttle setting. Check Engine horsepower.
	Improper direction of rotation?	Check that the blade is properly oriented and rotational arrow points in a "Down-Cutting" direction.
	Blade is slipping on the blade shaft?	Check that the blade & flange pin are properly installed on the blade shaft.
Blade does not cut straight and/or true.	Blade being used on misaligned saw?	Check blade shaft bearings and alignment integrity.
	Blade is excessively hard for the material being cut?	Check specification of the blade with the material being cut. Consult Dealer or Multiquip for information.
	Blade being used at improper RPM?	Ensure blade surface feet per minute speed (SFPM) is approximately 6,000.
	Blade improperly mounted on arbor shoulders and flanges?	Ensure blade is properly affixed on the blade shaft.
	Excessive force applied to blade while cutting?	DO NOT force the blade in the cut. Apply a slow and steady pace when sawing.
Blade discoloring, crackling and/or wearing excessively.	Blades too hard for the material being cut?	Consult Dealer or Multiquip for correct blade. Try cutting very soft material (sandstone, silica brick, cinder block) to "Redress" the blade.
	Blade improperly mounted on arbor shoulders and flanges?	Ensure blade is properly affixed on the blade shaft.
	Blade not receiving enough cooling water or air?	Ensure proper flow & volume of water is provided for wet cutting blades. Ensure sufficient cooling air is circulated about a dry cutting blade.
	Arbor hole out of round?	Ensure blade is properly affixed on the blade shaft.
	Incorrect blade chosen for material being cut?	Check specification of the blade with the material being cut. Consult Dealer or Multiquip for information.
	Excessive force applied to blade while cutting?	DO NOT force the blade in the cut. Apply a slow and steady pace when sawing.

HS81 CUT-OFF SAW — TROUBLESHOOTING (ENGINE)

TABLE 4. TROUBLESHOOTING (ENGINE)

SYMPTOM	POSSIBLE CAUSE	SOLUTION
Difficult to start, "fuel is available, but no SPARK at spark plug".	Spark plug bridging?	Check gap, insulation or replace spark plug.
	Carbon deposit on spark plug?	Clean or replace spark plug.
	Short circuit due to deficient spark plug insulation?	Check spark plug insulation, replace if worn.
	Improper spark plug gap?	Set to proper gap.
	Ignition coil defective?	Replace ignition coil.
Difficult to start, "fuel is available, and SPARK is present at the spark plug".	ON/OFF switch is shorted?	Check switch wiring, replace switch.
	Improper spark gap, points dirty?	Set correct spark gap and clean points.
	Condenser insulation worn or short circuiting?	Replace condenser.
	Spark plug wire broken or short circuiting?	Replace defective spark plug wiring.
Difficult to start, "fuel is available, spark is present and compression is normal".	Wrong fuel type?	Flush fuel system, and replace with correct type of fuel.
	Water or dust in fuel system?	Flush fuel system.
	Air cleaner dirty?	Clean or replace air cleaner.
	Choke Open?	Close Choke.
Difficult to start, "fuel is available, spark is present and compression is low".	Suction/exhaust valve stuck or protruded?	Re-seat valves.
	Piston ring and/or cylinder worn?	Replace piston rings and/or piston.
	Cylinder head and/or spark plug not tightened properly?	Torque cylinder head bolts and spark plug.
	Head gasket and/or spark plug gasket damaged?	Replace head and/or spark plug gaskets.
No fuel present at the carburetor.	Fuel not available in fuel tank (tank empty)?	Fill with correct type of fuel.
	Fuel filter clogged?	Replace fuel filter.
	Fuel tank cap breather hole clogged?	Clean or replace fuel tank cap.
	Air in fuel line?	Bleed fuel line.

HS81 CUT-OFF SAW — TROUBLESHOOTING (ENGINE)

TABLE 4. TROUBLESHOOTING (ENGINE, CONTINUED)

SYMPTOM	POSSIBLE CAUSE	SOLUTION
"Weak in power" compression is proper and does not misfire.	Air cleaner not clean?	Clean or replace air cleaner.
	Improper fuel level in carburetor?	Check float adjustment.
		Rebuild carburetor.
	Defective spark plug?	Clean or replace spark plug.
Improper spark plug gap?	Set to proper gap.	
"Weak in power" compression is proper but misfires.	Water in fuel system?	Flush fuel system and replace with correct type fuel.
	Ignition coil defective?	Replace ignition coil.
	Dirty spark plug?	Clean or replace spark plug.
Engine overheats.	Wrong fuel type?	Flush fuel system, and replace with correct type of fuel.
	Spark plug heat value improper?	Replace with correct type of spark plug.
	Cooling fins dirty?	Clean cooling fins.
Rotational speed fluctuates.	Governor adjusted correctly?	Adjust governor.
	Governor spring defective or missing?	Replace governor spring.
	Fuel flow restricted?	Check entire fuel system for leaks or clogs.
Recoil starter malfunction.	Recoil mechanism clogged with dust and dirt?	Clean recoil assembly with soap and water.
	Spiral spring loose?	Replace spiral spring.

For *Side Winder* HS Series Cut-Off Saws

□ HS81

DRY FILTER KITS



HS81FK1

[Includes 1 ea.]

HS52010141 - Foam Filter
HS018600125 - Paper Filter
HS018600056A - Inner Filter

HS81FK5

[Includes 5 ea.]

HS52010141 - Foam Filter
HS018600125 - Paper Filter
HS018600056A - Inner Filter

HS81FK10

[Includes 10 ea.]

HS52010141 - Foam Filter
HS018600125 - Paper Filter
HS018600056A - Inner Filter

WET FILTER



* Replaces *DRY* Air Filter Canister When Using Water & Standard Water Kit (provided)



HS099900778A

[Includes 1 ea.]

Water Filter fits both HS62 & HS81

HS81 CUT-OFF SAW — EXPLANATION OF PARTS SECTION REMARKS

The following section explains the different symbols and remarks used in the Parts section of this manual. Use the help numbers found on the back page of the manual if there are any questions.

The contents and part numbers listed in the parts section are subject to change **without notice**. Multiquip does not guarantee the availability of the parts listed.

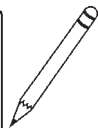
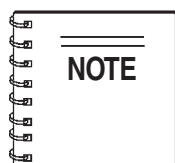
Sample Parts List:

NO.	PART NO.	PART NAME	QTY.	REMARKS
1	12345	BOLT	1	INCLUDES ITEMS W/*
2*		WASHER, 1/4 IN.		NOT SOLD SEPARATELY
2*	12347	WASHER, 3/8 IN.	1	MQ-45T ONLY
3	12348	HOSE	A/R..	MAKE LOCALLY
4	12349	BEARING	1	S/N 2345B AND ABOVE

NO. Column

Unique Symbols - All items with same unique symbol (*, #, +, %, or >) in the number column belong to the same assembly or kit, which is indicated by a note in the “Remarks” column.

Duplicate Item Numbers - Duplicate numbers indicate multiple part numbers are in effect for the same general item, such as different size saw blade guards in use or a part that has been updated on newer versions of the same machine.



When ordering a part that has more than one item number listed, check the remarks column for help in determining the proper part to order.

PART NO. Column

Numbers Used - Part numbers can be indicated by a number, a blank entry, or TBD.

TBD (To Be Determined) is generally used to show a part that has not been assigned a formal part number at time of publication.

A blank entry generally indicates that the item is not sold separately or is not sold by Multiquip. Other entries will be clarified in the “Remarks” Column.

QTY. Column

Numbers Used - Item quantity can be indicated by a number, a blank entry, or A/R.

A/R (As Required) is generally used for hoses or other parts that are sold in bulk and cut to length.

A blank entry generally indicates that the item is not sold separately. Other entries will be clarified in the “Remarks” Column.

REMARKS Column

Some of the most common notes found in the “Remarks” Column are listed below. Other additional notes needed to describe the item can also be shown.

Assembly/Kit - All items on the parts list with the same unique symbol will be included when this item is purchased.

Indicated by:
“INCLUDES ITEMS W/(unique symbol)”

Serial Number Break - Used to list an effective serial number range where a particular part is used.

Indicated by:
“S/N XXXXX AND BELOW”
“S/N XXXX AND ABOVE”
“S/N XXXX TO S/N XXX”

Specific Model Number Use - Indicates that the part is used only with the specific model number or model number variant listed. It can also be used to show a part is NOT used on a specific model or model number variant.

Indicated by:
“XXXXX ONLY”
“NOT USED ON XXXX”

“Make/Obtain Locally” - Indicates that the part can be purchased at any hardware shop or made out of available items. Examples include battery cables, shims, and certain washers and nuts.

“Not Sold Separately” - Indicates that an item cannot be purchased as a separate item and is either part of an assembly/kit that can be purchased, or is not available for sale through Multiquip.

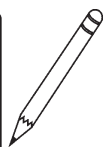
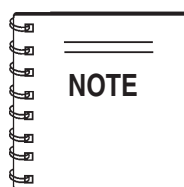
HS81 CUT-OFF SAW — SUGGESTED SPARE PARTS

SUGGESTED SPARE PARTS

HS81 SIDEWINDER CUT-OFF SAW

1 to 3 Units

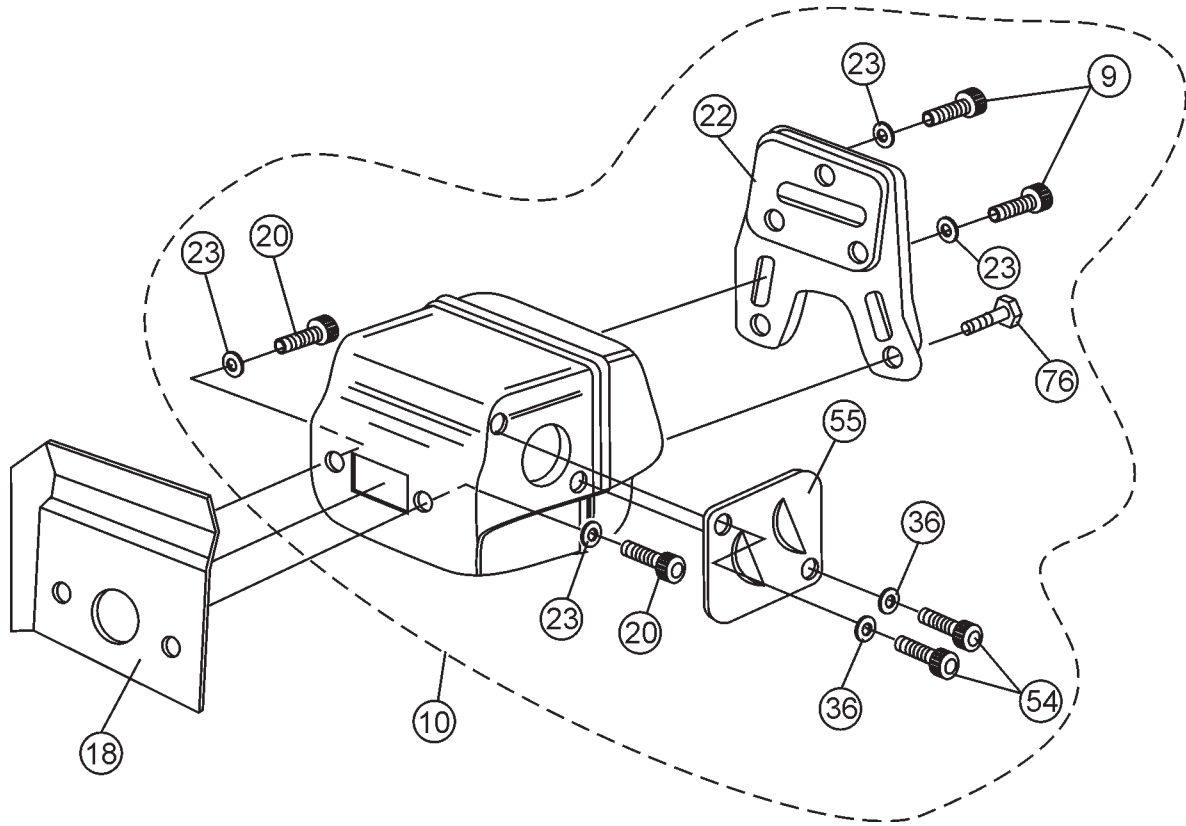
Qty.	P/N	Description
1	HS52012047	STARTER ASSEMBLY
3	HS098000079	ROPE, STARTER
1	HS52010080	HANDLE, ROPE
1	HS098000060A	SPRING & CASE, STARTER
6	HS3055101	SPARK PLUG
1	HS097000132	CLUTCH ASSEMBLY
1	HS52010057	FUEL CAP, W/O-RING
3	HS50010218	FILTER, FUEL
1	HS52010092	THROTTLE TRIGGER LEVER
1	HS52010077	THROTTLE LOCK LEVER
1	HS52010078	CHOKE LEVER
1	HS52010022A	COVER, BELT GUARD
3	HS3918013	WASHER, BELT COVER
3	HS3914010	NUT, BELT COVER
3	HS018100180	V-BELT
2	HS018600235	FLANGE, ARBOR
2	HS018600236A	FLANGE, ARBOR
2	HS3806067	SCREW, ARBOR
2	HS018500061	WASHER, ARBOR
2	HS52010062	KNOB, ADJ. GUIDE
2	HS3833080	WASHER, ADJ. GUIDE
2	HS52010012	SPACER, ADJ. GUIDE
2	HS52010013	LOCK, GUIDE BLADE GUARD
1	HS018600273A	FLANGE, PRE-FILTER CAP
1	HS52010014A	SUPPORT FILTER
2	HS3802002	SCREW, FILTER SUPPORT
1	HS330000010	O-RING, FLANGE PRE-FILTER
1	HS018600090A	GASKET, AIR FILTER LOWER
18	HS018600125	AIR FILTER
6	HS018600056A	FILTER, AIR INNER
18	HS52010141	PRE-FILTER, FOAM
3	HS4191240	TOOL KIT
3	HS099900778A	WET, AIR FILTER
3	HS52010082	BREATHING ASSEMBLY
1	00325	CASE, OIL 2-STROKE NON-SMOKE - 36 BOTTLES



The contents of this parts catalog are subject to change without notice.

HS81 CUT-OFF SAW — MUFFLER ASSY.

MUFFLER ASSY.



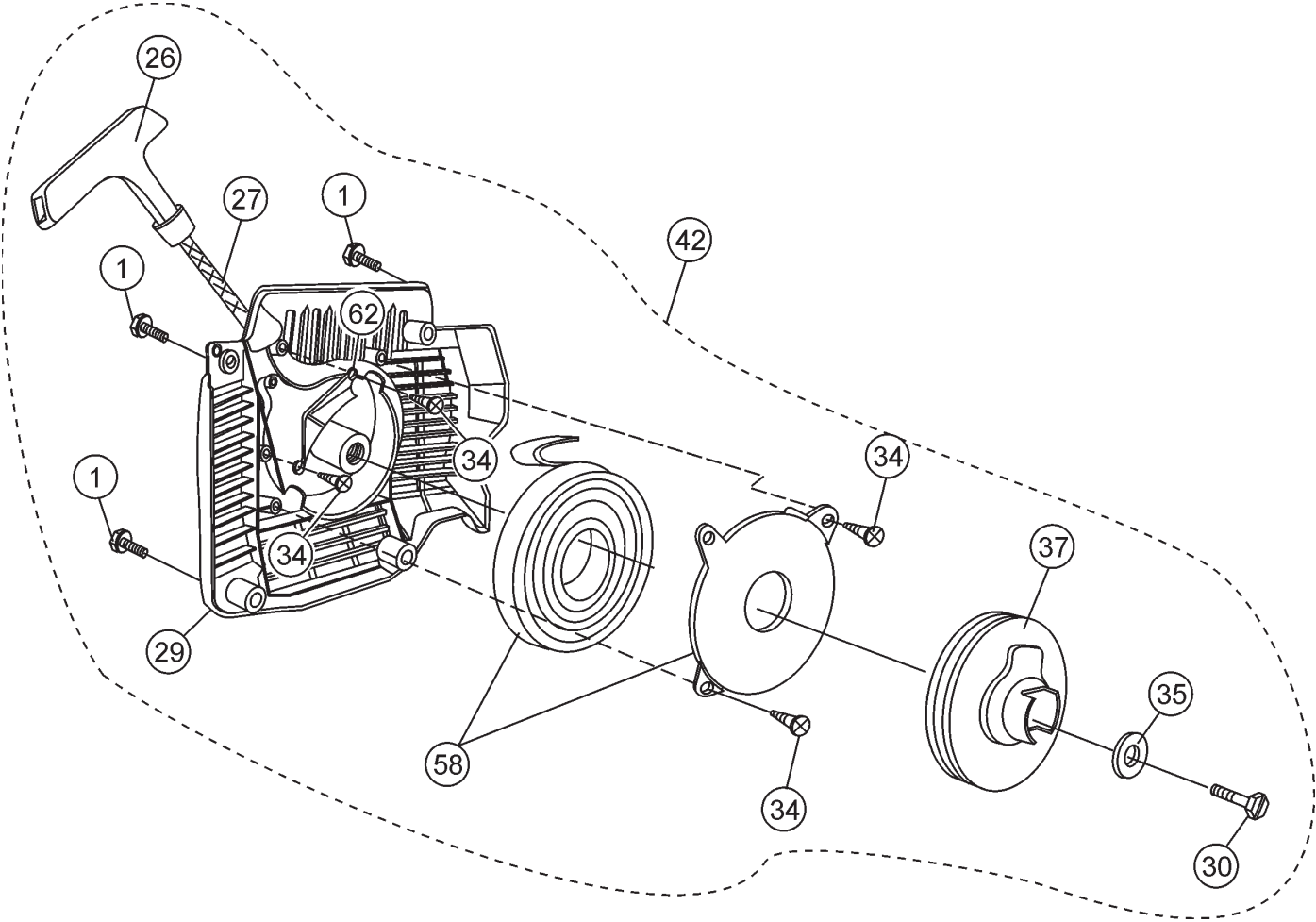
HS81 CUT-OFF SAW — MUFFLER ASSY.

MUFFLER ASSY.

<u>NO.</u>	<u>PART NO.</u>	<u>PART NAME</u>	<u>QTY.</u>	<u>REMARKS</u>
9*	HS53801052	SCREW	3	
10	HS52012053	MUFFLER ASSEMBLY	1	INCLUDES ITEMS W/*
18	HS097000094A	GASKET, MUFFLER	1	
20*	HS3801045	SCREW	2	
22*	HS097000342	COVER, MUFFLER	1	
23*	HS3033074	WASHER	5	
36*	HS3833073	WASHER	2	
54*	HS005100913	SCREW	2	
55*	HS098000133	DEFLECTOR, MUFFLER	1	
76	HS097000092	SCREW	2	

HS81 CUT-OFF SAW — RECOIL START ASSY.

RECOIL START ASSY.



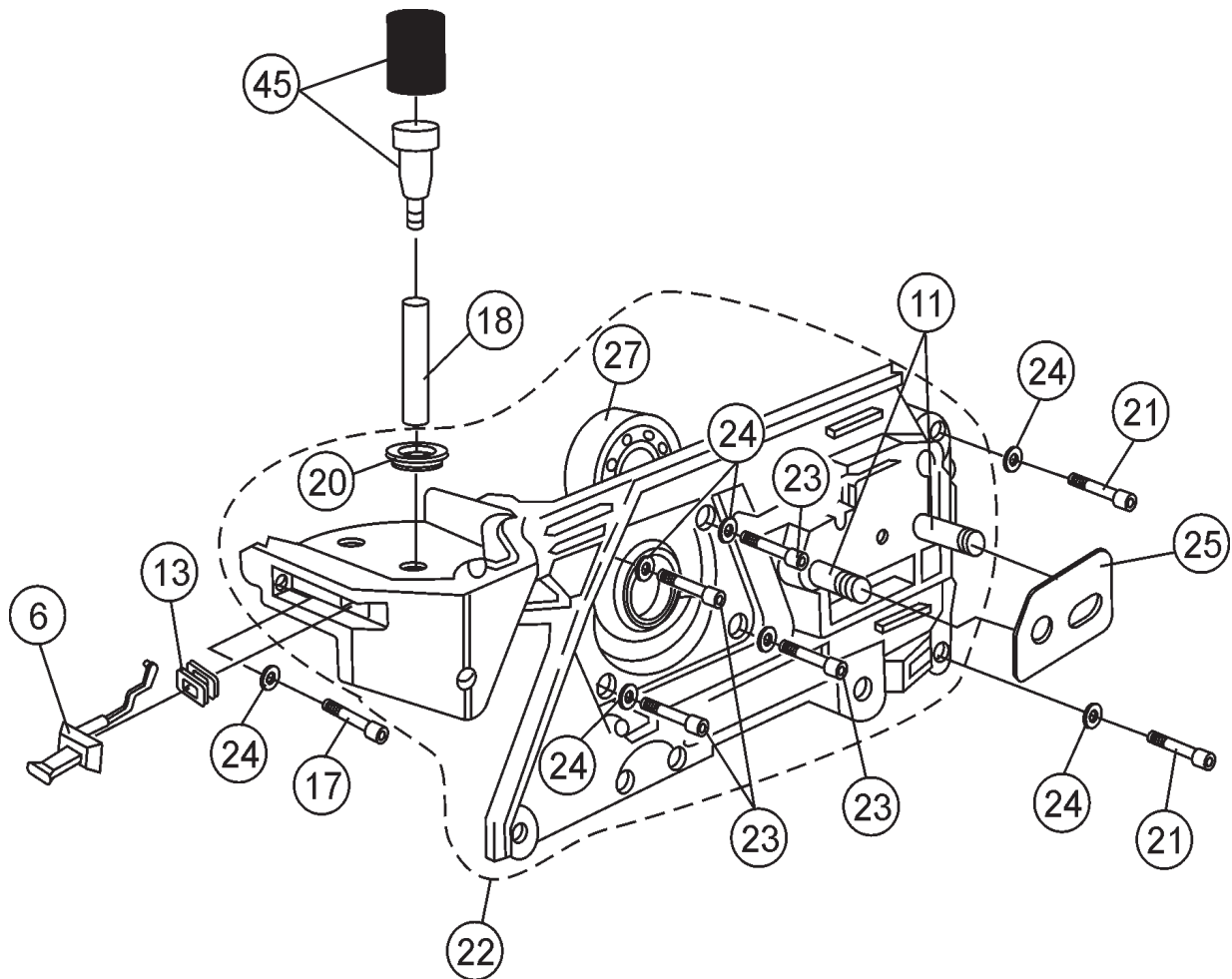
HS81 CUT-OFF SAW — RECOIL START ASSY.

RECOIL START ASSY.

<u>NO.</u>	<u>PART NO.</u>	<u>PART NAME</u>	<u>QTY.</u>	<u>REMARKS</u>
1*	HS097000092	SCREW	4	
26*	HS52010080	HANDLE, STARTER ROPE	1	
27*	HS098000079	ROPE, STARTER	1	
29*	HS52010184	CASE, STARTER	1	
30*	HS3908036	SCREW	1	
34*	HS3960017	SCREW	4	
35*	HS3918006	WASHER	1	
37*	HS097000041	PULLEY, STARTER	1	
42	HS52012047	STARTER ASSEMBLY	1	INCLUDES ITEMS W/*
58*	HS098000060A	SPRING AND CASE, STARTER	1	
62*	HS52010180	COVER, STARTER SPRING	1	

HS81 CUT-OFF SAW — CRANKCASE (CLUTCH SIDE) ASSY.

CRANKCASE (CLUTCH SIDE) ASSY.



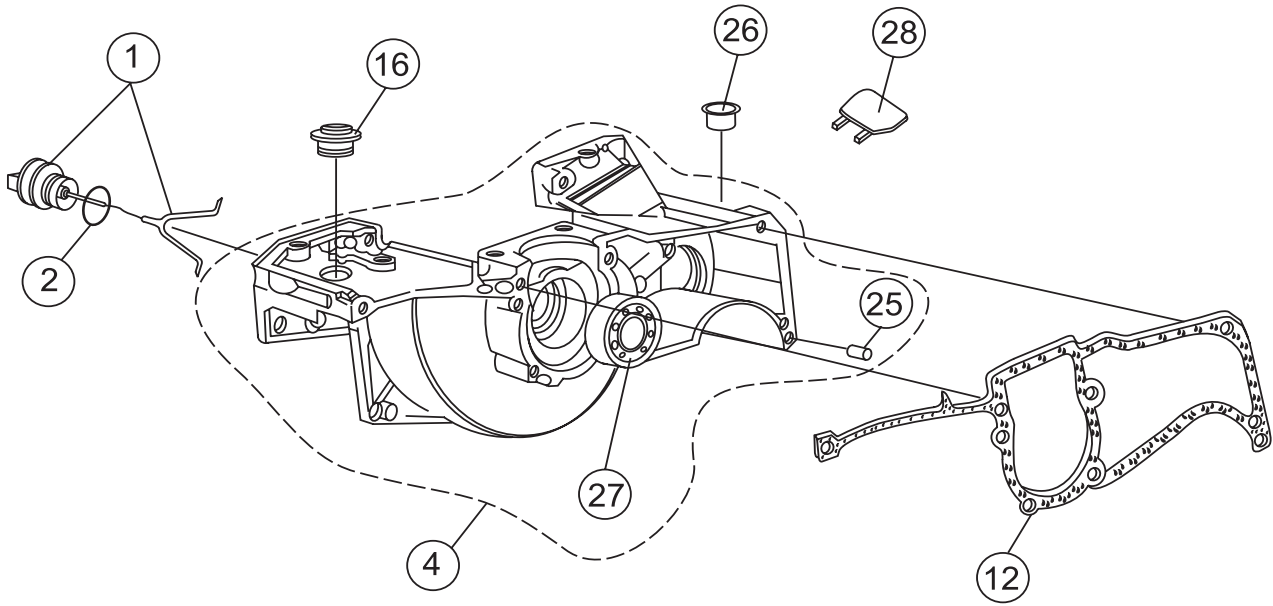
HS81 CUT-OFF SAW — CRANKCASE (CLUTCH SIDE) ASSY.

CRANKCASE (CLUTCH SIDE) ASSY.

<u>NO.</u>	<u>PART NO.</u>	<u>PART NAME</u>	<u>QTY.</u>	<u>REMARKS</u>
6	H52010078	CHOKE LEVER	1	
11*	HS097000080 A	BAR STUD, CRANKCASE	2	
13	HS097000057	GROMMET	1	
17	HS005100987	SCREW	1	
18	HS093000448	FUEL LINE	1	
20*	HS52010117	GROMMET	1	
21	HS006100303	SCREW	1	
22	HS52012018	CRANKCASE W/BEARING, (CLUTCH SIDE)	1	INCLUDES ITEMS W/*
23	HS3801015	SCREW	4	
24	HS3833073	WASHER	7	
25	HS52010312	SHIELD	1	
27*	HS3034012	BEARING, CRANKCASE	1	
45	HS52010082	BREATHER ASSEMBLY	1	

HS81 CUT-OFF SAW — CRANKCASE (FLYWHEEL SIDE) ASSY.

CRANKCASE (FLYWHEEL SIDE) ASSY.



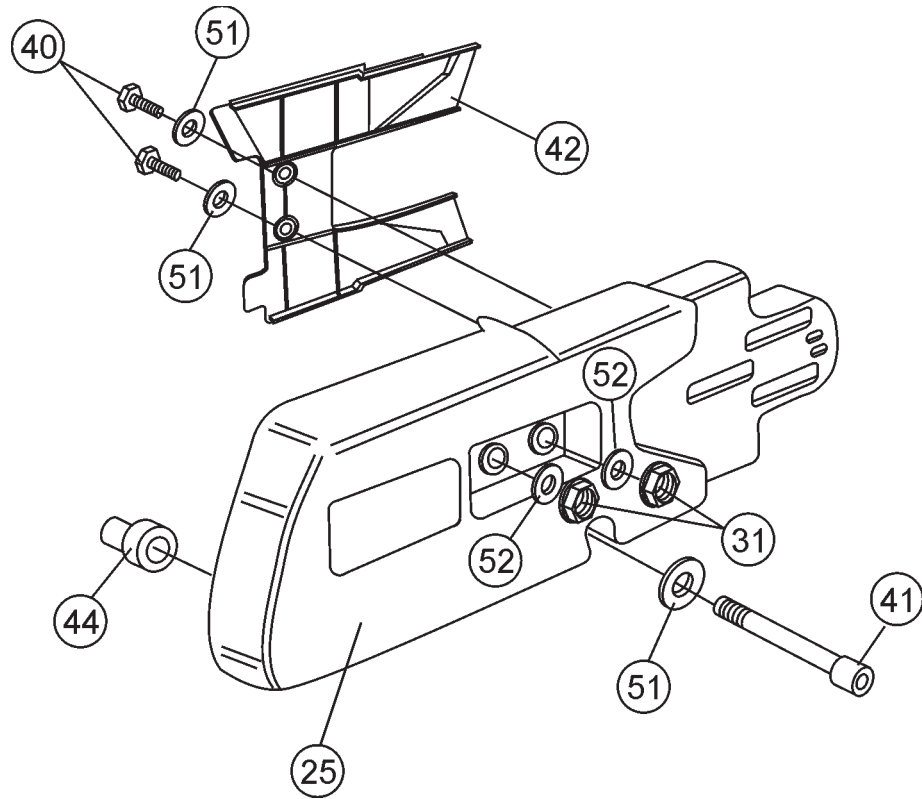
HS81 CUT-OFF SAW — CRANKCASE (FLYWHEEL SIDE) ASSY.

CRANKCASE (FLYWHEEL SIDE) ASSY.

<u>NO.</u>	<u>PART NO.</u>	<u>PART NAME</u>	<u>QTY.</u>	<u>REMARKS</u>
1	HS52010057	CAP, FUEL W/O-RING	1	INCLUDES ITEMS W/*
2*	HS09900090	O-RING, FUEL CAP	1	
4	HS097000497	CRANKCASE, W/ BEARING (FLYWHEEL SIDE) ..	1	INCLUDES ITEMS W/+
12	HS097000009A	GASKET, CRANKCASE	1	
16	HS52020014	GROMMET	1	
25+	HS3023008	PIN	2	
26	HS52010143	PLUG	1	
27+	HS3034012	BEARING, CRANKCASE	1	

HS81 CUT-OFF SAW — V-BELT COVER (CLUTCH SIDE) ASSY.

V-BELT COVER (CLUTCH SIDE) ASSY



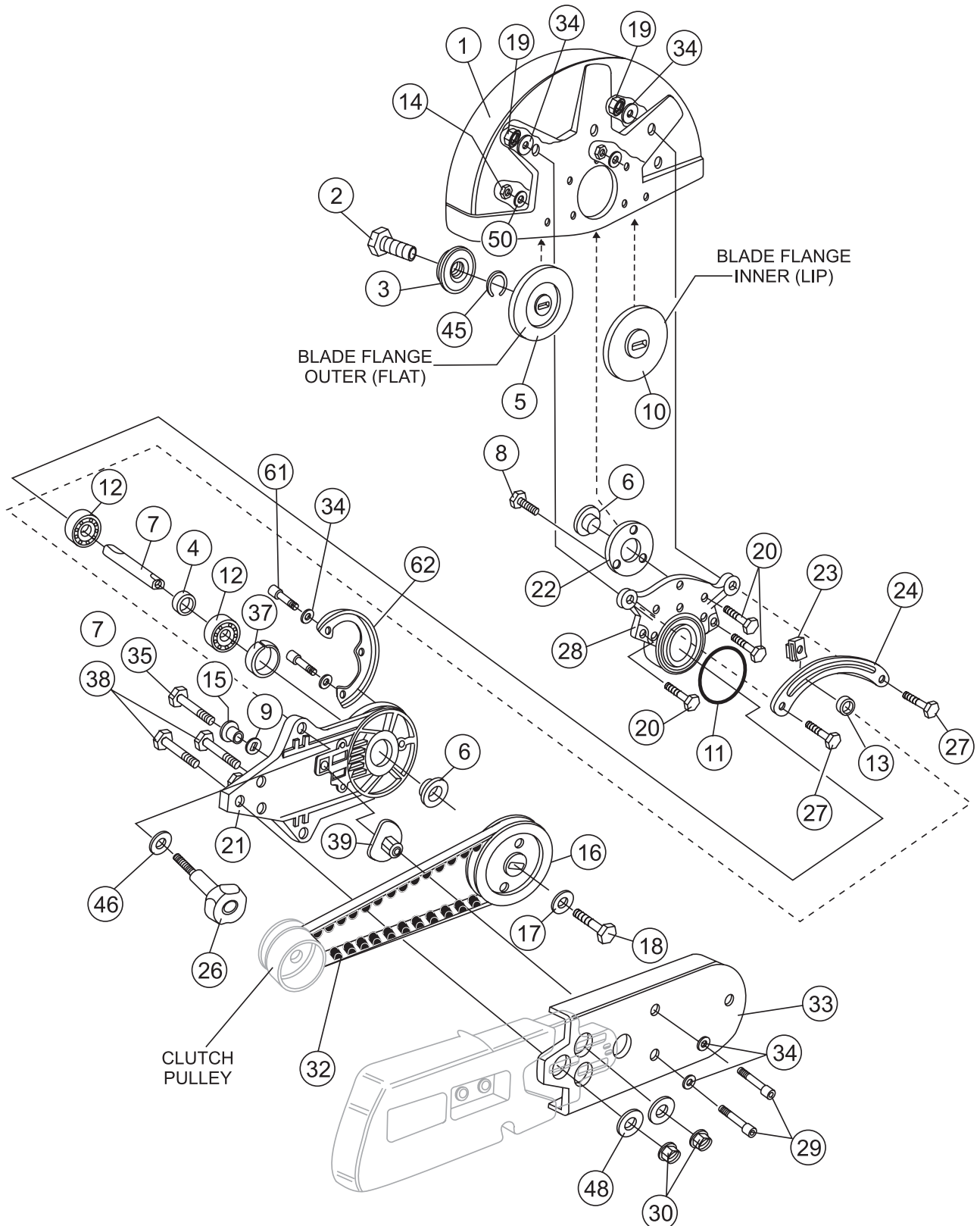
HS81 CUT-OFF SAW — V-BELT COVER (CLUTCH SIDE) ASSY.

V-BELT COVER (CLUTCH SIDE) ASSY.

<u>NO.</u>	<u>PART NO.</u>	<u>PART NAME</u>	<u>QTY.</u>	<u>REMARKS</u>
25	HS52012005	V-BELT COVER, (CLUTCH SIDE)	1	
31	HS50010148	NUT	2	
40	HS3806021	SCREW	2	
41	HSHS3801037	SCREW	1	
42	HS52010023	GUARD, BELT INNER	1	
44	HS006000300	BUSHING	1	
51	HS3833073	WASHER	1	
52	HS3916008	WASHER	2	

HS81 CUT-OFF SAW — V-BELT COVER(PULLEY)/BLADE GUARD ASSY.

V-BELT COVER (PULLEY-SIDE)/BLADE GUARD ASSY.



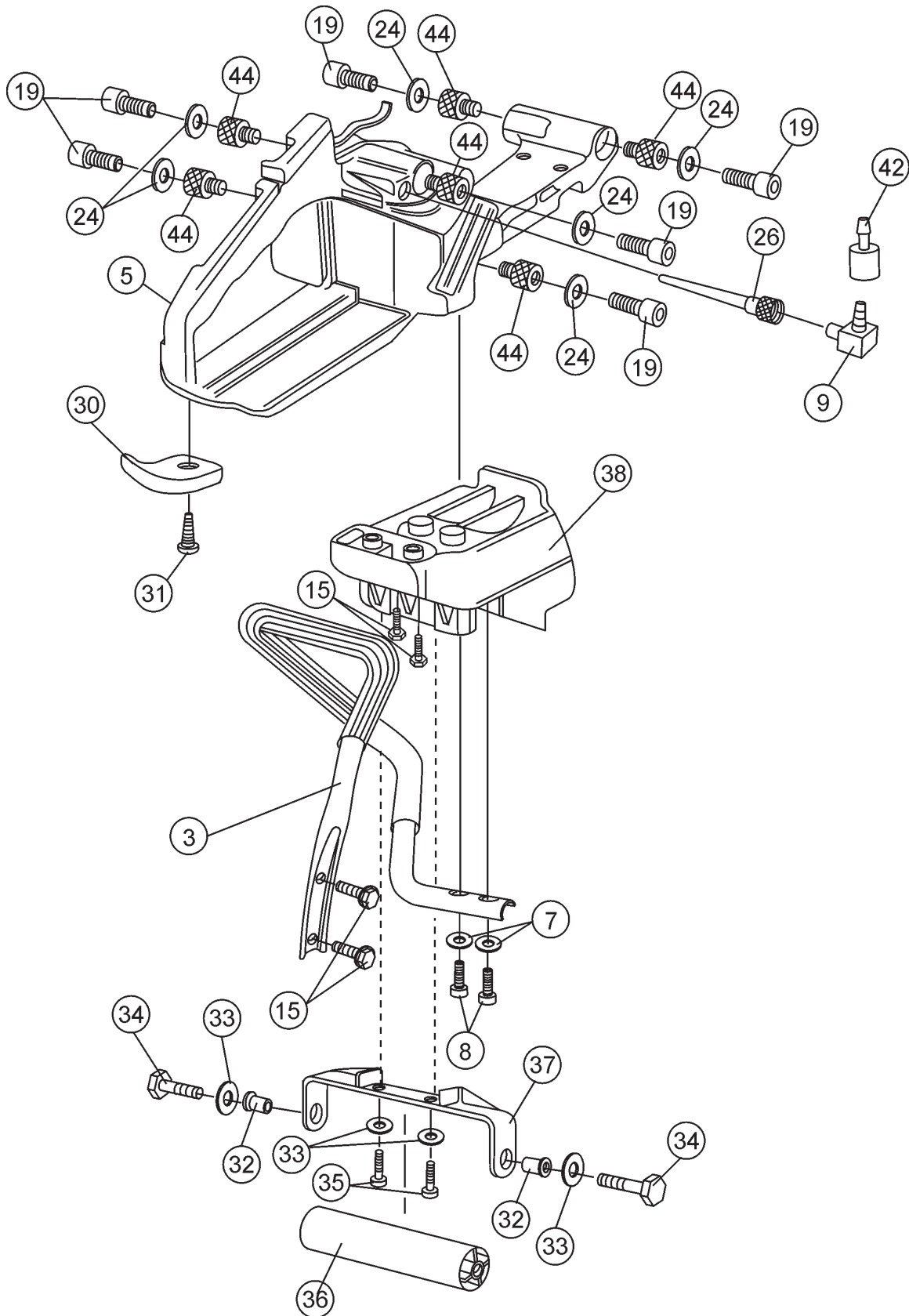
HS81 CUT-OFF SAW — V-BELT COVER(PULLEY)/BLADE GUARD ASSY.

V-BELT COVER (PULLEY-SIDE)/BLADE GUARD ASSY.

<u>NO.</u>	<u>PART NO.</u>	<u>PART NAME</u>	<u>QTY.</u>	<u>REMARKS</u>
1	HS52010026	BLADE COVER 14-INCH	1	
2	HS3806067	SCREW	1	
3	HS018500061	WASHER	1	
4	HS52010045	SPACER	1	
5	HS018600235	FLANGE, ARBOR (OUTER)	1	
6	HS52010044	SPACER	1	
7	HS018600019	SHAFT	1	
8	HS3806022	SCREW	3	
9	HS005000343	WASHER	1	
10	HS018600236	FLANGE, ARBOR (INNER)	1	
11	HS018100029	O-RING, BLADE GUARD SUPPORT	1	
12	HS3035019	BEARING	2	
13	HS52010012	SPACER	1	
14	HS094000251	NUT	5	
15	HS52010039	SPACER	1	
16	HS01860004A	PULLEY, BELT	1	
17	HS3918013	WASHER	1	
18	HS3806065	SCREW	1	
19	HS3818016	NUT	2	
20	HS3806021	SCREW	5	
21	HS52010212	ARM	1	
22	HS52010043	FLANGE	1	
23	HS52010013	LOCK, GUIDE BLADE GUARD	1	
24	HS52010024	GUIDE, BLADE GUARD	1	
26	HS52010062	KNOB, ADJUSTMENT GUIDE	1	
27	HS3906045	SCREW	2	
28	HS52010025	SUPPORT BLADE GUARD	1	
29	HS3801016	SCREW	2	
30	HS3914010	NUT	3	
32	HS018100180	V-BELT	1	
33	HS52010022A	COVER, V-BELT (PULLEY SIDE)	1	
34	HS3833073	WASHER	7	
35	HS3806037	SCREW	1	
37	HS52010046	BUSHING	1	
38	HS3806076	SCREW	1	
39	HS52010036	BELT ADJUSTER	1	
45	HS3026012	SNAP RING	1	
46	HS3833080	WASHER	1	
48	HS3918013	WASHER	3	
61	HS3906019	SCREW	3	
62	HS52010211	GUARD	1	

HS81 CUT-OFF SAW — FUEL, LIFTING HANDLE, AND ROLLER ASSY.

FUEL, LIFTING HANDLE AND ROLLER ASSY.



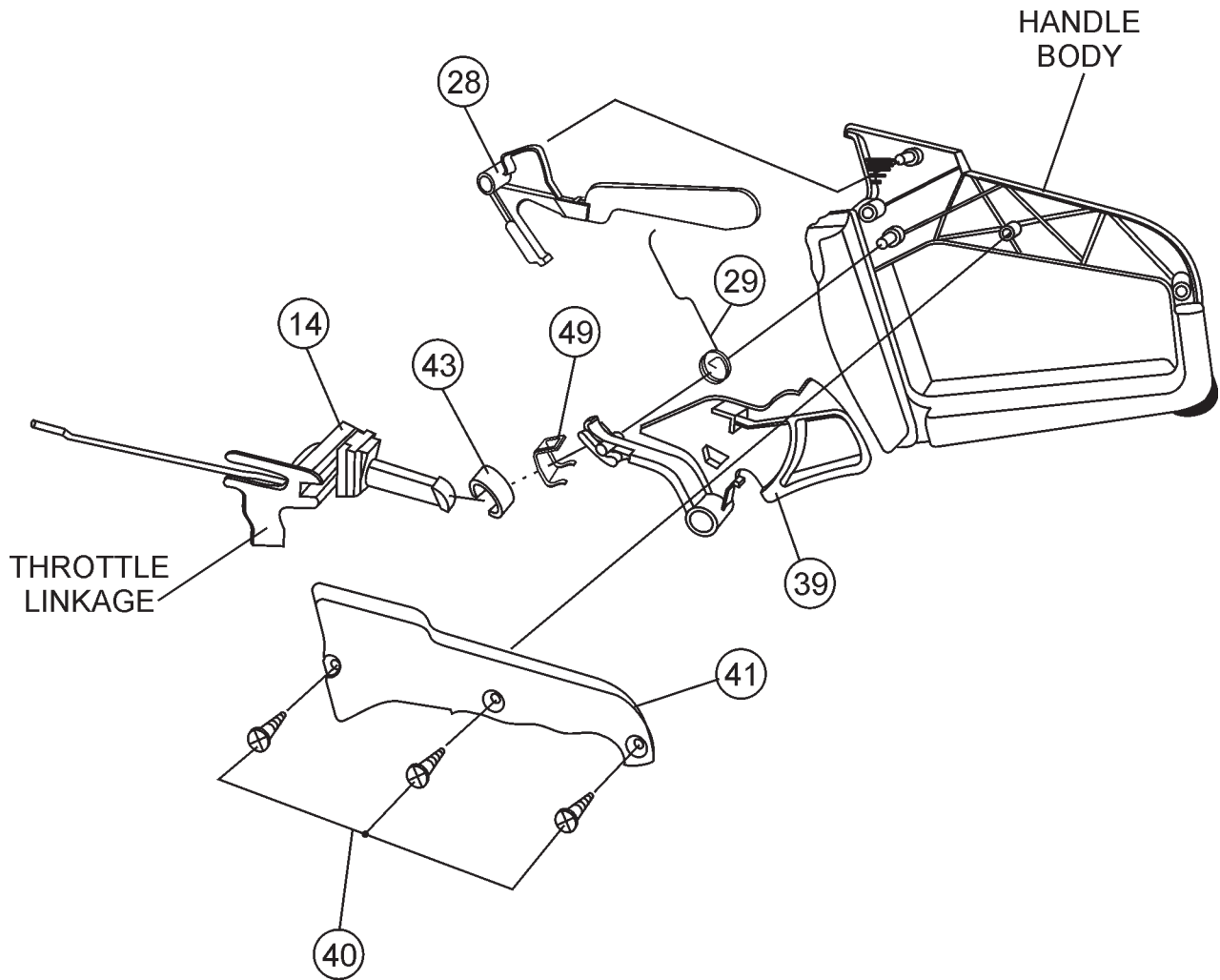
HS81 CUT-OFF SAW — FUEL, LIFTING HANDLE, AND ROLLER ASSY.

FUEL, LIFTING HANDLE AND ROLLER ASSY.

<u>NO.</u>	<u>PART NO.</u>	<u>PART NAME</u>	<u>QTY.</u>	<u>REMARKS</u>
3	HS52010047	HANDLE	1	
5	HS097000485	FUEL TANK ASSY.	1	
7	HS3072015	WASHER	2	
8	HS3801020	SCREW	2	
9	HS018500066	FITTING	1	
15	HS097000061A	SCREW	4	
19	HS005100913	SCREW	6	
24	HS3833073	WASHER	6	
26	HS018500096	BREATHER, VALVE BODY	1	
30	HS52010004	GUARD FUEL TANK	1	
31	HS3960087	SCREW	1	
32	HS018100317	SPACER, ROLLER SUPPORT LOWER	2	
33	HS3833076	WASHER	4	
34	HS3960045	SCREW	2	
35	HS3806035	SCREW	2	
36	HS018100171A	ROLLER	1	
37	HS52010098	SUPPORT, ROLLER LOWER	1	
38	HS52010215	MAIN ROLLER SUPPORT UPPER	1	
42	HS50010218	FILTER, FUEL	1	
44	HS52010066	SHOCK ABSORBER	6	

HS81 CUT-OFF SAW — THROTTLE LINKAGE ASSY.

THROTTLE ASSY.



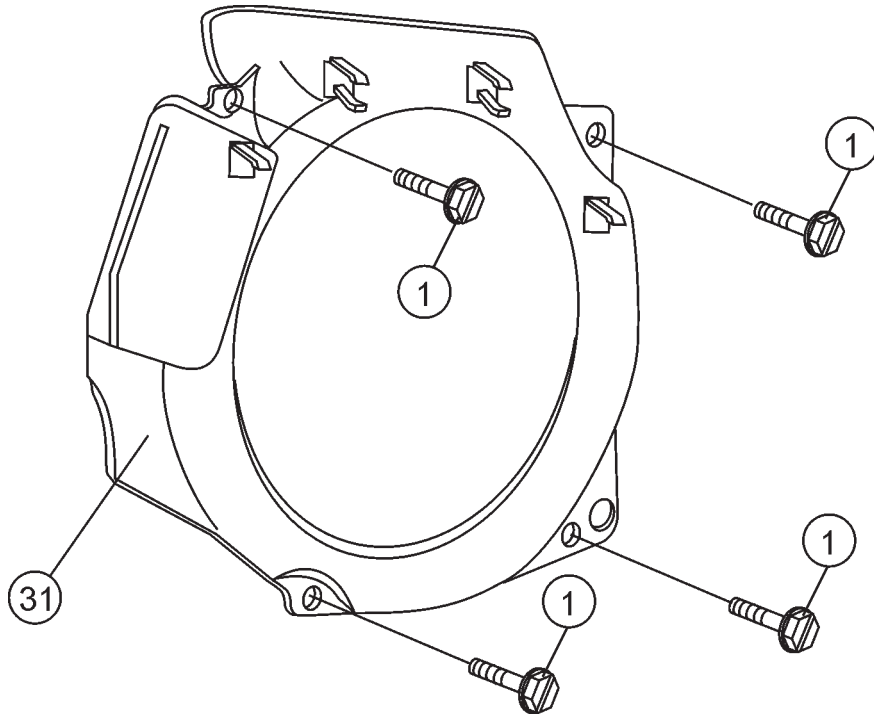
HS81 CUT-OFF SAW — THROTTLE LINKAGE ASSY.

THROTTLE ASSY

<u>NO.</u>	<u>PART NO.</u>	<u>PART NAME</u>	<u>QTY.</u>	<u>REMARKS</u>
14	HS52012044	THROTTLE LINKAGE	1	INCLUDES ITEM W/ %
28	HS52010077	THROTTLE LOCK LEVER	1	
29	HS097000028	SPRING	1	
39	HS52010092	THROTTLE TRIGGER LEVER	1	INCLUDES ITEM W/ #
40	HS3960040	SCREW	3	
41	HS097000024	COVER, HANDLE/TANK	1	
43%		CAP, THROTTLE LINKAGE	1	NOT SOLD SEPARATELY
49#		PLATE	1	NOT SOLD SEPARATELY

HS81 CUT-OFF SAW — FLYWHEEL COVER ASSY.

FLYWHEEL COVER ASSY.



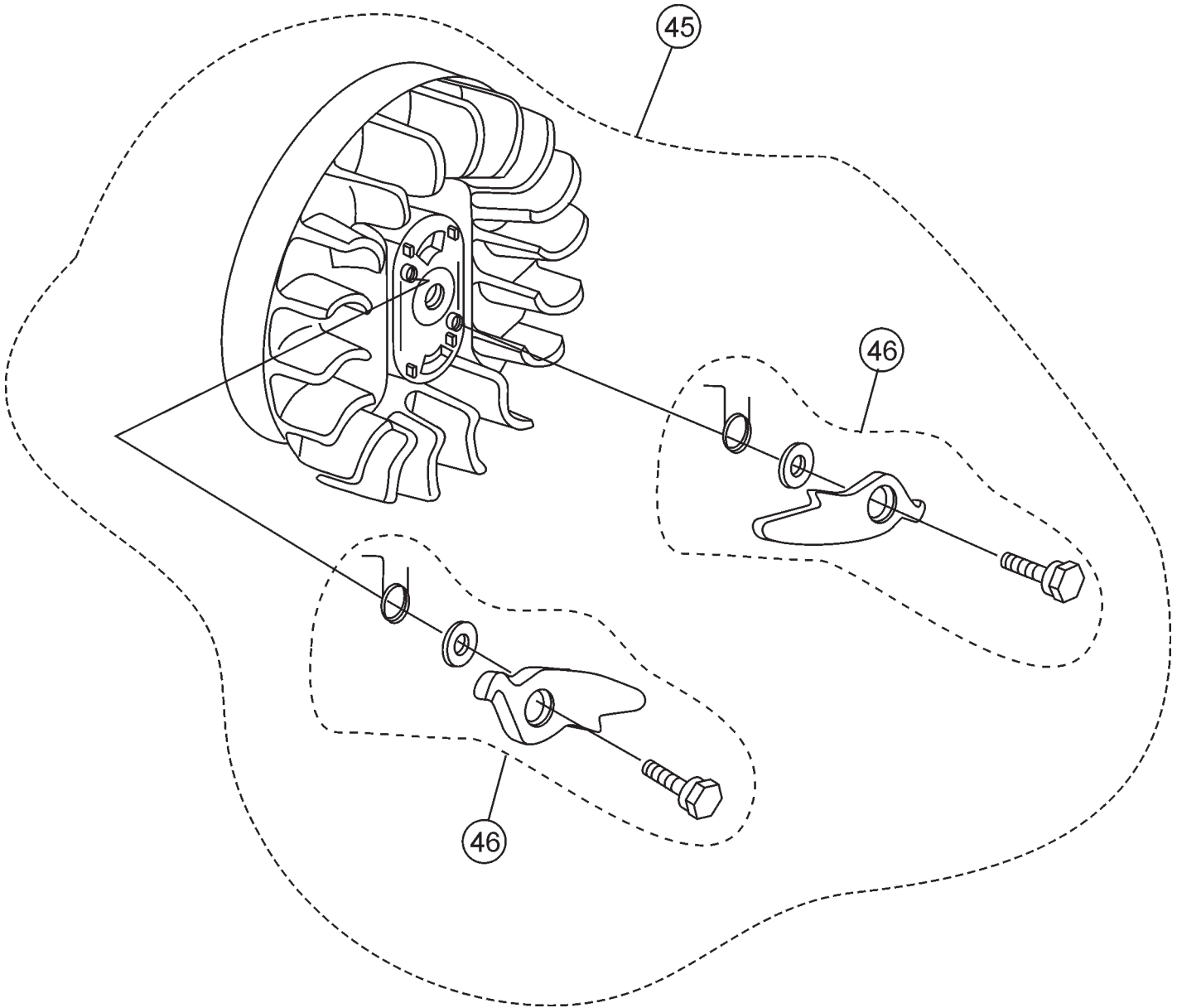
HS81 CUT-OFF SAW — FLYWHEEL COVER ASSY.

FLYWHEEL COVER ASSY.

<u>NO.</u>	<u>PART NO.</u>	<u>PART NAME</u>	<u>QTY.</u>	<u>REMARKS</u>
1	HS097000092	SCREW	4	
31	HS097000019B	FLANGE, STARTER	1	

HS81 CUT-OFF SAW — FLYWHEEL ASSY.

FLYWHEEL ASSY.



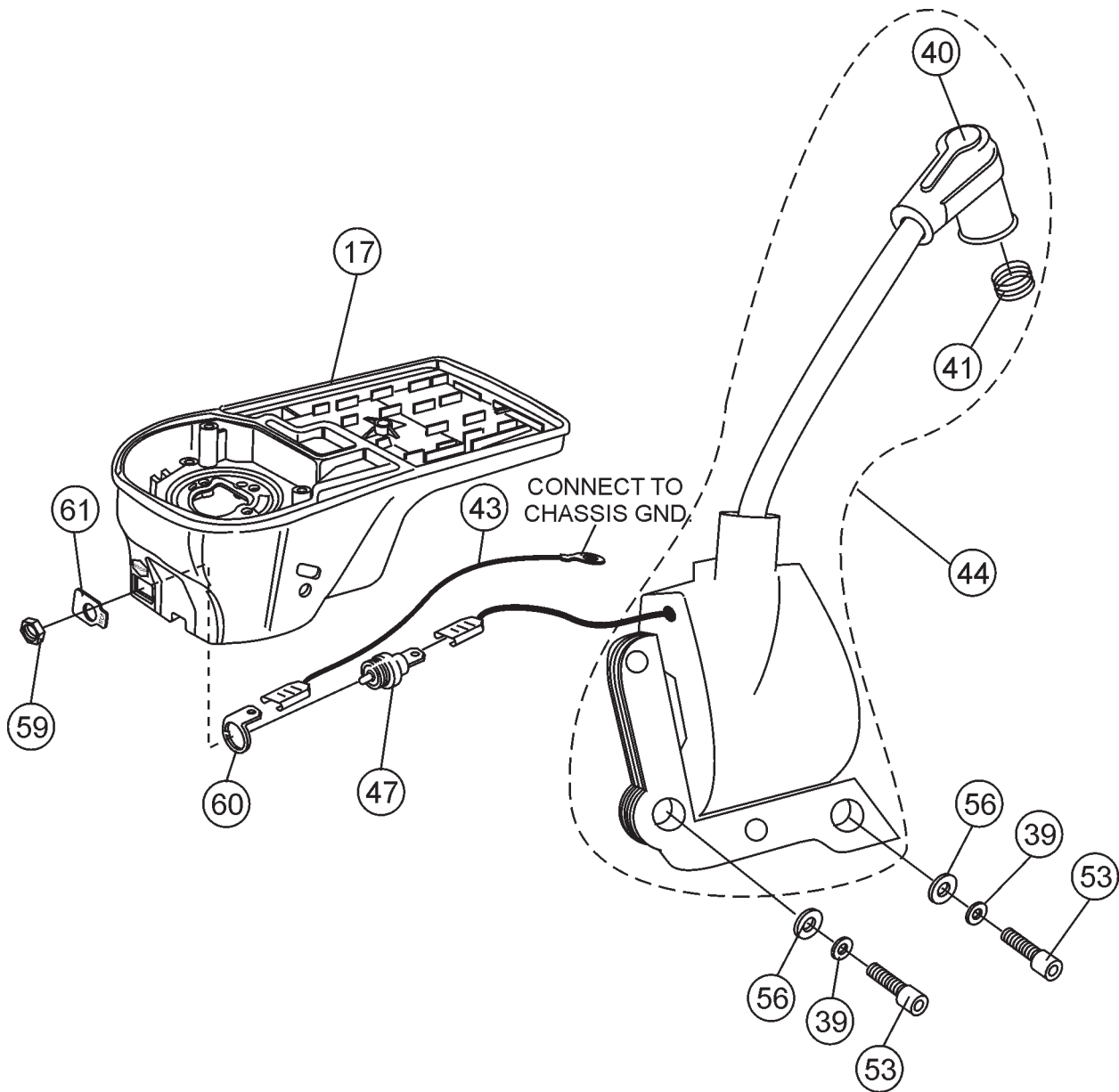
HS81 CUT-OFF SAW — FLYWHEEL ASSY.

FLYWHEEL ASSY.

<u>NO.</u>	<u>PART NO.</u>	<u>PART NAME</u>	<u>QTY.</u>	<u>REMARKS</u>
45	HS52010136	FLYWHEEL	1	INCLUDES ITEM W/*
46*	HS52012027	PAWL SET	1	

HS81 CUT-OFF SAW — IGNITION COIL ASSY.

IGNITION COIL ASSY.



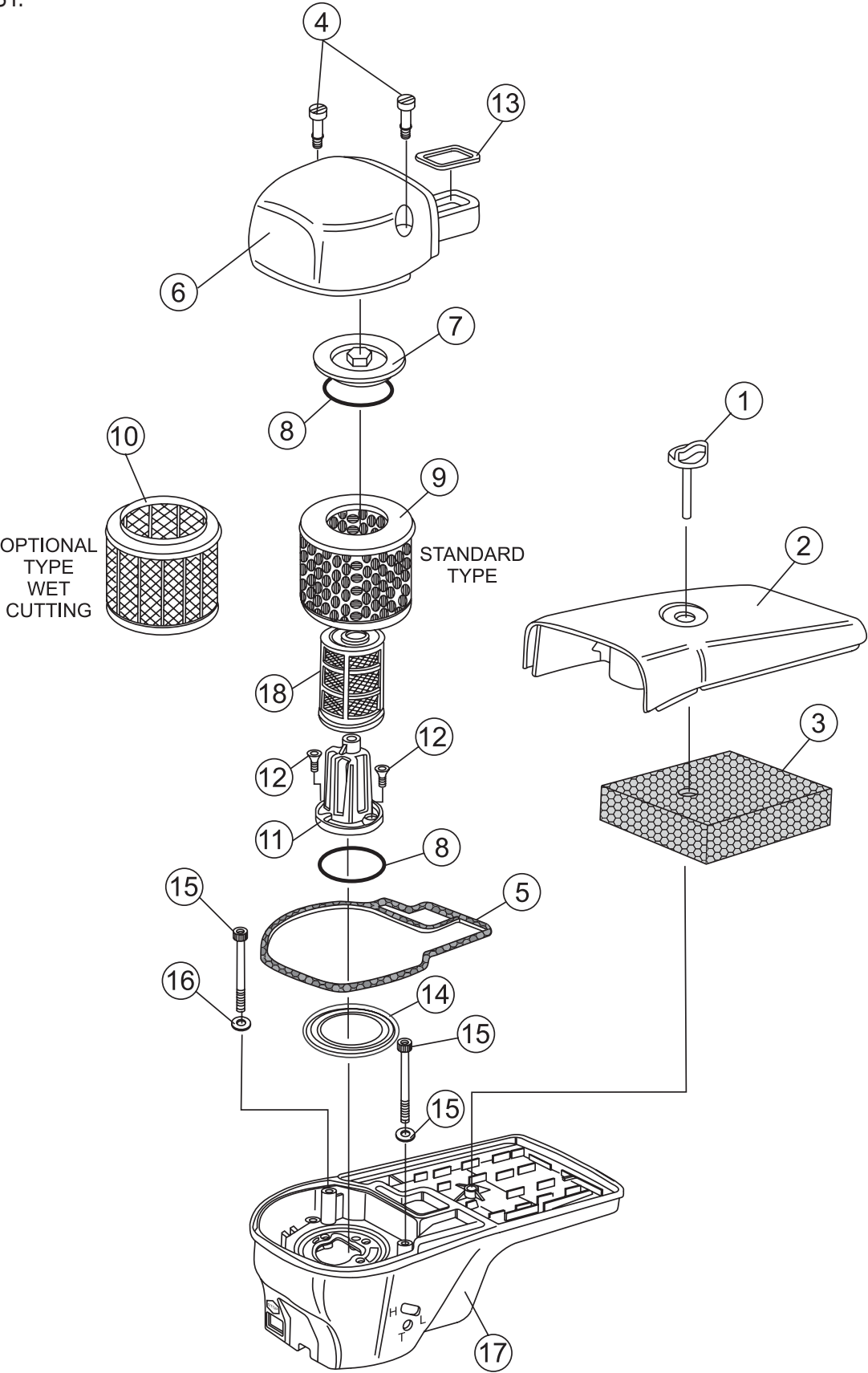
HS81 CUT-OFF SAW — IGNITION COIL ASSY.

IGNITION COIL ASSY.

<u>NO.</u>	<u>PART NO.</u>	<u>PART NAME</u>	<u>QTY.</u>	<u>REMARKS</u>
17	HS52010016	COVER, AIR FILTER LOWER	1	
39	HS006000315	WASHER	2	
40*	HS094600097A	CAP, SPARK PLUG	1	
41*	HS094600169	SPRING SPARK PLUG	1	
43	HS097000121A	CABLE WIRE, ON-OFF SWITCH	1	
44	HS52010001	COIL, IGNITION ASSY.....	1	INCLUDES ITEM W/*
47	HS094500497	SWITCH, ON-OFF	1	
53	HS094000227	SCREW	2	
56	HS006000152	WASHER	2	
59	HS099900397	NUT	1	
60	HS52010132	CONNECTING LINK	1	
61	HS004000438	PLATE, ON-OFF SWITCH	1	

HS81 CUT-OFF SAW — AIR FILTER ASSY.

AIR FILTER ASSY.



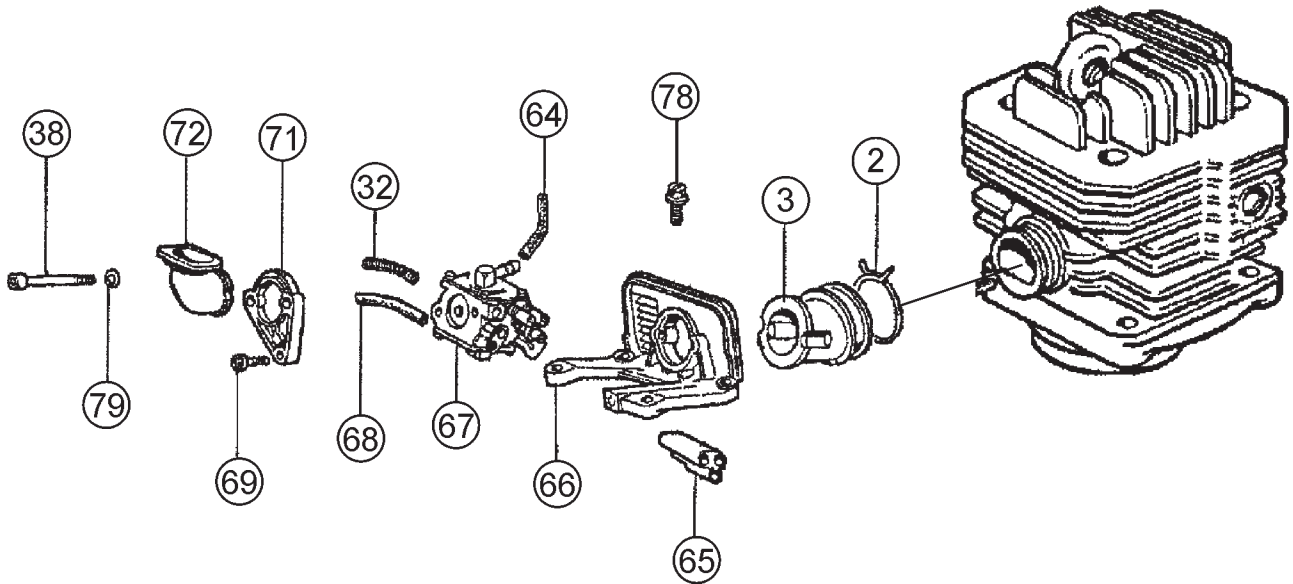
HS81 CUT-OFF SAW — AIR FILTER ASSY.

AIR FILTER ASSY.

<u>NO.</u>	<u>PART NO.</u>	<u>PART NAME</u>	<u>QTY.</u>	<u>REMARKS</u>
1	HS52010041	KNOB, AIR FILTER COVER	1	
2	HS52010018	COVER, AIR FILTER, LONG	1	
3	HS52010141	PRE- FILTER, FOAM	1	
4	HS093000468A	SCREW, AIR FILTER COVER	2	
5	HS52010059	GASKET, AIR FILTER BASE	1	
6	HS52012004	COVER, AIR FILTER, UPPER	1	
7	HS018600273A	FLANGE, PRE- FILTER, CAP	1	
8	HS330000010	O- RING, FLANGE PRE- FILTER	2	
9	HS018600125	FILTER, AIR	1	
10	HS099900778A	FILTER, AIR (WET CUTTING)	1	
11	HS52010014B	SUPPORT, FILTER	1	
12	HS3802002	SCREW, FILTER SUPPORT	2	
13	HS52010060	GASKET, AIR FILTER COVER	1	
14	HS018600090A	GASKET, AIR FILTER LOWER	1	
15	HS072700182	SCREW, AIR CLEANER MTG.	3	
16	HS3833073	WASHER, AIR CLEANER MTG.	3	
17	HS52010016	COVER, AIR FILTER LOWER	1	
18	HS018600056A	FILTER, AIR INNER	1	

HS81 CUT-OFF SAW — CARBURETOR MOUNTING ASSY.

CARBURETOR MOUNTING ASSY.



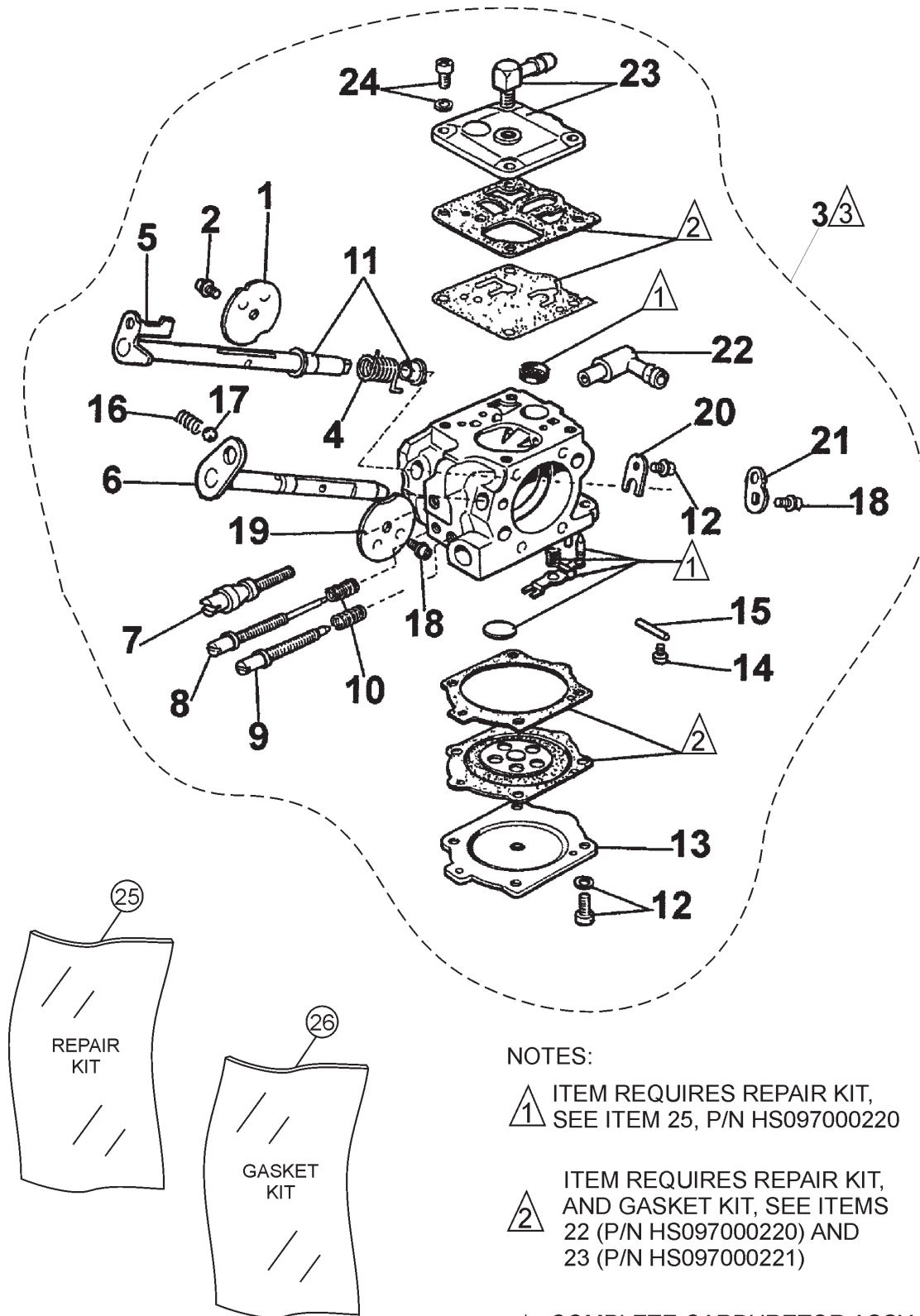
HS81 CUT-OFF SAW — CARBURETOR MOUNTING ASSY.

CARBURETOR MOUNTING ASSY.

<u>NO.</u>	<u>PART NO.</u>	<u>PART NAME</u>	<u>QTY.</u>	<u>REMARKS</u>
2	HS097000059	SPRING, MANIFOLD	1	
3	HS098000010	MANIFOLD, INNER	1	
32	HS52020060	SPRING	1	
38	HS61052009	SCREEN	2	
64	HS015000100	FUEL LINE, CARBURETOR	1	
65	HS552010189	FLANGE, CARBURETOR SUPPORT	1	
66	HS098000057	SUPPORT, CARBURETOR	1	
67	HS2318920A	CARBURETOR ASSEMBLY	1	
68	HS094000215 A	FUEL LINE, CARBURETOR	1	
69	HS3960057	SCREW	1	
71	HS097000333	SPACER, FLANGE	1	
72	HS52010008	MANIFOLD, OUTER	1	
78	HS097000092	SCREW	4	
79	HS3833073	WASHER	2	

HS81 CUT-OFF SAW — CARBURETOR ASSY.

CARBURETOR ASSY.



NOTES:

① ITEM REQUIRES REPAIR KIT, SEE ITEM 25, P/N HS097000220

② ITEM REQUIRES REPAIR KIT, AND GASKET KIT, SEE ITEMS 22 (P/N HS097000220) AND 23 (P/N HS097000221)

③ COMPLETE CARBURETOR ASSY. ITEM 3, INCLUDES ITEMS WITHIN DASHED LINES.

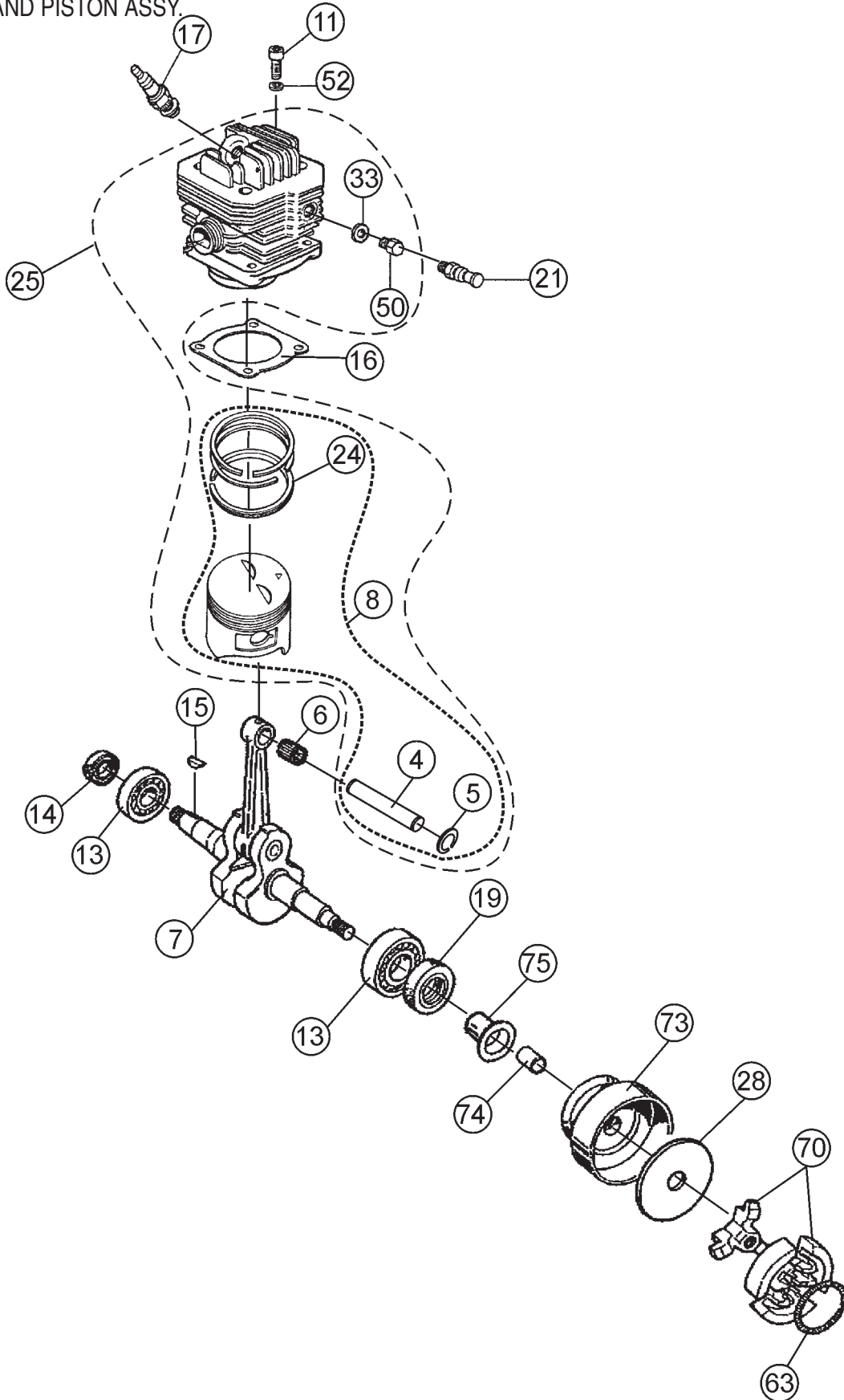
HS81 CUT-OFF SAW — CARBURETOR ASSY.

CARBURETOR ASSY.

<u>NO.</u>	<u>PART NO.</u>	<u>PART NAME</u>	<u>QTY.</u>	<u>REMARKS</u>
1*	HS52010019	THROTTLE VALVE	1	
2*	HS035000160	SCREW	1	
3	HS2318920A	CARBURETOR ASSY.	1	INCLUDES ITEMS W/*
4*	HS097000161	SPRING	1	
5*	HS097000154	THROTTLE SHAFT	1	
6*	HS097000155	STARTER SHAFT	1	
7*	HS097000162	SCREW, ADJUST	1	
8*	HS2318762	SCREW "L" CARBURETOR	1	
9*	HS2318761	SCREW "L" CARBURETOR	1	
10*	HS097000223	SPRING	2	
11*	HS097000224	BUSHING	2	
12*	HS035000162	SCREW	5	
13*	HS52010007	COVER	1	
14*	HS003300202	SCREW	1	
15*	HS035000169	PIN	1	
16*	HS035000164	SPRING	1	
17*	HS006000325	BALL, CARBURETOR	1	
18*	HS003300209	SCREW	1	
19*	HS035000151	STARTER VALVE	1	
20*	HS035000149	PLATE	1	
21*	HS097000160	LEVER	1	
22*	HS003300036	ELBOW CONNECT	1	
23*	HS097000157	COVER	1	
24*	HS035000161	SCREW	1	
25*	HS097000220	KIT, REPAIR CARBURETOR	1	
26*	HS097000221	KIT, GASKET CARBURETOR	1	

HS81 CUT-OFF SAW — CRANKSHAFT / PISTON ASSY.

CRANKSHAFT AND PISTON ASSY.



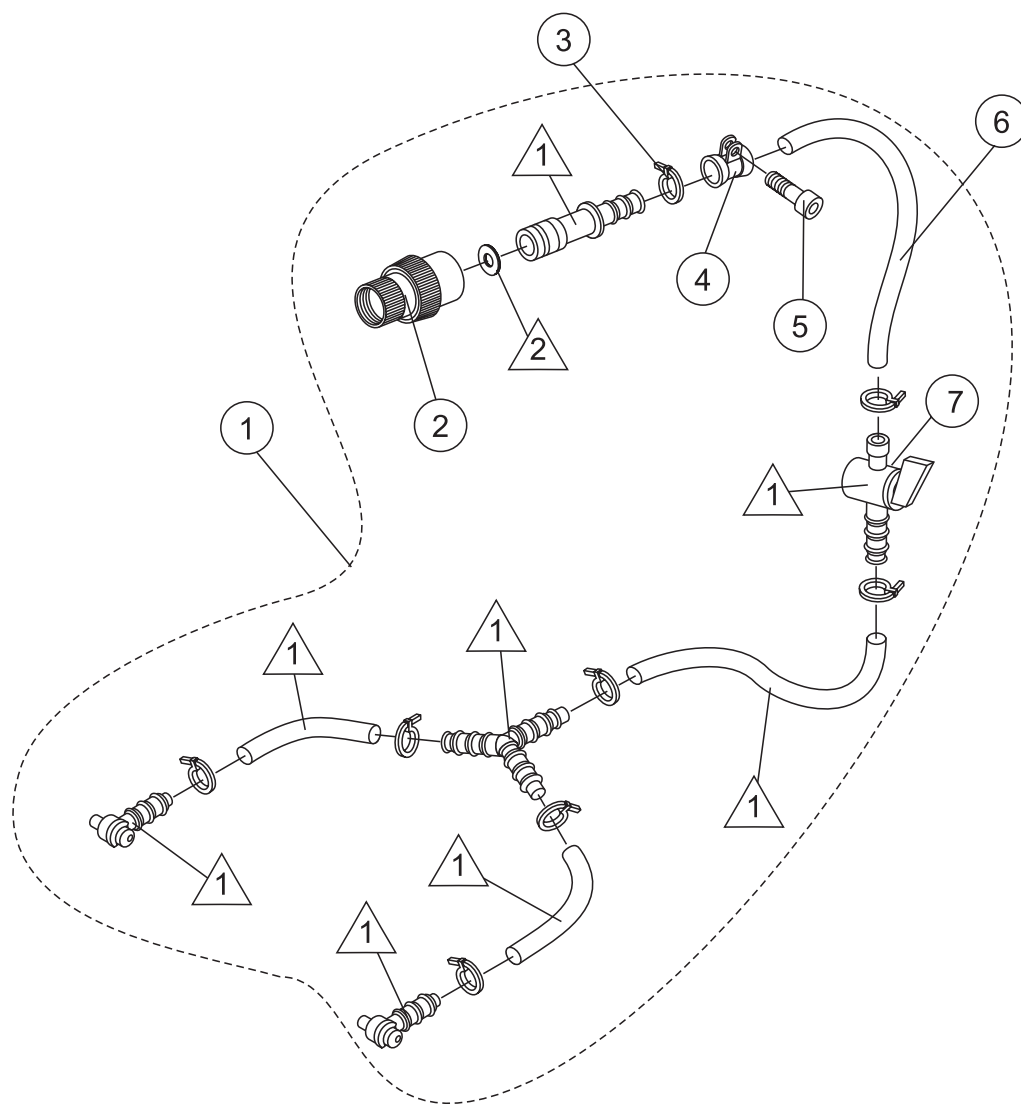
HS81 CUT-OFF SAW — CRANKSHAFT AND PISTON ASSY.

CRANKSHAFT AND PISTON ASSY.



<u>NO.</u>	<u>PART NO.</u>	<u>PART NAME</u>	<u>QTY.</u>	<u>REMARKS</u>
4*#	HS094500007	PISTON PIN	1	
5*#	HS007201198	RING, PISTON PIN	2	
6	HS006000010	BEARING, UPPER CRANKSHAFT	1	
7	HS098000001	CRANKSHAFT	1	
8*	HS098000033A	PISTON ASSEMBLY W /RINGS	1	INCLUDES ITEMS W /#
11	HS005100906A	SCREW	4	
13	HS099900006	BEARING, CRANKSHAFT	2	
14	HS094500004	SEAL RING	1	
15	HS094500028	KEY, CRANKSHAFT	1	
16	HS097000010A	GASKET, CYLINDER	1	
17	HS3055101	SPARK PLUG	1	
19	HS099900014	SEAL RING, CRANKSHAFT	1	
21	HS52010067	DECOMPRESSOR	1	
24*#	HS098000004	PISTON RINGS	1	
25	HS098000073A	CYLINDER ASSEMBLY W /PISTON	1	INCLUDES ITEMS W /*
28	HS097000097	WASHER	1	
33*	HS3078012	WASHER	1	
50*	HS52010093	SCREW	1	REMOVE WHEN INSTALLING ITEM 21
52	HS3833076	WASHER	4	
63+	HS004900137B	SPRING, CLUTCH	1	
70	HS097000132	CLUTCH ASSEMBLY	1	INCLUDES ITEMS W /+
73	HS52010029	CLUTCH DRUM	1	INCLUDES ITEMS W /\$
74\$	HS52010034	BUSHING, CLUTCH DRUM	1	
75	HS52010035	SPACER, CLUTCH DRUM	1	

HS81 CUT-OFF SAW — WATER KIT ASSY.

WATER KIT ASSY.



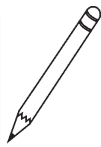
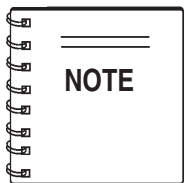
NOTES:

-  INCLUDED WITH WATER HOSE, ITEM 6
-  INCLUDED WITH SOCKET HEAD CAP SCREW, ITEM 5

HS81 CUT-OFF SAW — WATER KIT ASSY.

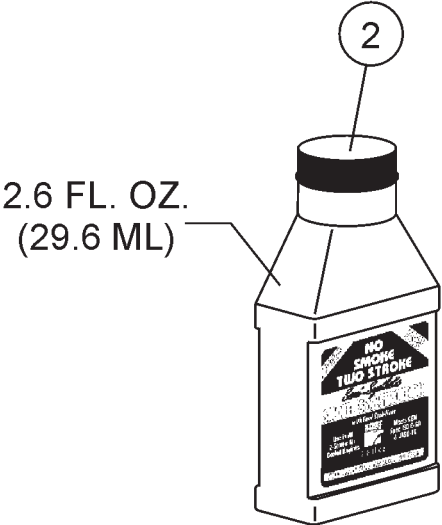
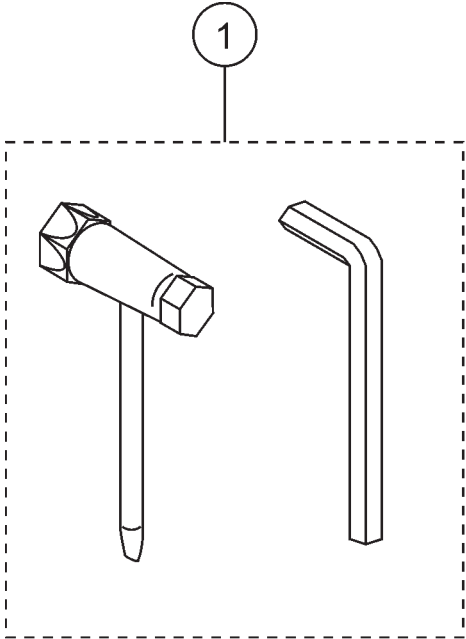
WATER KIT ASSY.

<u>NO.</u>	<u>PART NO.</u>	<u>PART NAME</u>	<u>QTY.</u>	<u>REMARKS</u>
1	HS52012062	WATER KIT ASSY.	1	INCLUDES ITEMS W/*
2*	HS52010121	FITTING, QUICK DISCONNECT	1	
3*		PLASTIC TIE WRAPS	8	
4*		HOSE CLAMP	1	
5*		SCREW, SOCKET HEAD CAP W/WASHER	1	
6*		HOSE, WATER	1	
7*	HS52010207	VALVE, SHUT-OFF	1	



Items 3-6 are included with the Water Kit Assembly and cannot be purchased separately.

TOOLS



CANNOT BE PURCHASED SEPARATELY, MUST ORDER A CASE OF 36.

HS81 CUT-OFF SAW — TOOLS

TOOLS

<u>NO.</u>	<u>PART NO.</u>	<u>PART NAME</u>	<u>QTY.</u>	<u>REMARKS</u>
1	HS4191240	TOOL KIT	1	
2	00325	SMOKELESS 2-STROKE OIL.....	1	CAN ONLY BE PURCHASED AS A CASE (QTY 36)

HS81 CUT-OFF SAW — RECOMMENDED DIAMOND BLADES

Recommended Diamond Blades For your *Side Winder Saw*



12" x .125" x 1" - 20mm Arbor

<u>Material to Cut</u>	Economy	Standard	Premium	Supreme
Cured Concrete	12GPS	12SBL	12PDHS1	12PDHS2
Asphalt Green Concrete	12GPS	12SBLA	12PDHS1A	12PDHS2A
Hard Brick & Masonry	12GPS	12SBL	12PDHS1H	12PDHS2H
Brick and Block	12GPS	12SBL	12PDHS1	12PDHS2
Abrasive Block	12GPS	12SBLA	12PDHS1A	12PDHS2A

14" x .125" x 1" - 20mm Arbor

<u>Material to Cut</u>	Economy	Standard	Premium	Supreme
Cured Concrete	14GPS	14SBL	14PDHS1	14PDHS2
Asphalt Green Concrete	14GPS	14SBLA	14PDHS1A	14PDHS2A
Hard Brick & Masonry	14GPS	14SBL	14PDHS1H	14PDHS2H
Brick and Block	14GPS	14SBL	14PDHS1	14PDHS2
Abrasive Block	14GPS	14SBLA	14PDHS1A	14PDHS2A

PAYMENT TERMS

Terms of payment for parts are net 10 days.

FREIGHT POLICY

All parts orders will be shipped collect or prepaid with the charges added to the invoice. All shipments are F.O.B. point of origin. Multiquip's responsibility ceases when a signed manifest has been obtained from the carrier, and any claim for shortage or damage must be settled between the consignee and the carrier.

MINIMUM ORDER

The minimum charge for orders from Multiquip is \$15.00 net. Customers will be asked for instructions regarding handling of orders not meeting this requirement.

RETURNED GOODS POLICY

Return shipments will be accepted and credit will be allowed, subject to the following provisions:

1. A Returned Material Authorization must be approved by Multiquip prior to shipment.
2. To obtain a Return Material Authorization, a list must be provided to Multiquip Parts Sales that defines item numbers, quantities, and descriptions of the items to be returned.
 - a. The parts numbers and descriptions must match the current parts price list.
 - b. The list must be typed or computer generated.
 - c. The list must state the reason(s) for the return.
 - d. The list must reference the sales order(s) or invoice(s) under which the items were originally purchased.
 - e. The list must include the name and phone number of the person requesting the RMA.
3. A copy of the Return Material Authorization must accompany the return shipment.
4. Freight is at the sender's expense. All parts must be returned freight prepaid to Multiquip's designated receiving point.
5. Parts must be in new and resalable condition, in the original Multiquip package (if any), and with Multiquip part numbers clearly marked.
6. The following items are not returnable:
 - a. Obsolete parts. (If an item is in the price book and shows as being replaced by another item, it is obsolete.)
 - b. Any parts with a limited shelf life (such as gaskets, seals, "O" rings, and other rubber parts) that were purchased more than six months prior to the return date.
 - c. Any line item with an extended dealer net price of less than \$5.00.
 - d. Special order items.
 - e. Electrical components.
 - f. Paint, chemicals, and lubricants.
 - g. Decals and paper products.
 - h. Items purchased in kits.
7. The sender will be notified of any material received that is not acceptable.
8. Such material will be held for five working days from notification, pending instructions. If a reply is not received within five days, the material will be returned to the sender at his expense.
9. Credit on returned parts will be issued at dealer net price at time of the original purchase, less a 15% restocking charge.
10. In cases where an item is accepted, for which the original purchase document can not be determined, the price will be based on the list price that was effective twelve months prior to the RMA date.
11. Credit issued will be applied to future purchases only.

PRICING AND REBATES

Prices are subject to change without prior notice. Price changes are effective on a specific date and all orders received on or after that date will be billed at the revised price. Rebates for price declines and added charges for price increases will not be made for stock on hand at the time of any price change.

Multiquip reserves the right to quote and sell direct to Government agencies, and to Original Equipment Manufacturer accounts who use our products as integral parts of their own products.

SPECIAL EXPEDITING SERVICE

A \$35.00 surcharge will be added to the invoice for special handling including bus shipments, insured parcel post or in cases where Multiquip must personally deliver the parts to the carrier.

LIMITATIONS OF SELLER'S LIABILITY

Multiquip shall not be liable hereunder for damages in excess of the purchase price of the item with respect to which damages are claimed, and in no event shall Multiquip be liable for loss of profit or good will or for any other special, consequential or incidental damages.

LIMITATION OF WARRANTIES

No warranties, express or implied, are made in connection with the sale of parts or trade accessories nor as to any engine not manufactured by Multiquip. Such warranties made in connection with the sale of new, complete units are made exclusively by a statement of warranty packaged with such units, and Multiquip neither assumes nor authorizes any person to assume for it any other obligation or liability whatever in connection with the sale of its products. Apart from such written statement of warranty, there are no warranties, express, implied or statutory, which extend beyond the description of the products on the face hereof.

OPERATION & PARTS MANUAL

HERE'S HOW TO GET HELP

PLEASE HAVE THE MODEL AND SERIAL
NUMBER *ON-HAND* WHEN CALLING

UNITED STATES

Multiquip Corporate Office

18910 Wilmington Ave. Tel. (800) 421-1244
Carson, CA 90746 Fax (800) 537-3927
Contact: mq@multiquip.com

Mayco Parts

800-306-2926 Fax: 800-672-7877
310-537-3700 Fax: 310-637-3284

Service Department

800-421-1244 Fax: 310-537-4259
310-537-3700

MQ Parts Department

800-427-1244 Fax: 800-672-7877
310-537-3700 Fax: 310-637-3284

Warranty Department

800-421-1244, Ext. 279 Fax: 310-537-1173
310-537-3700, Ext. 279

Technical Assistance

800-478-1244 Fax: 310-631-5032

MEXICO

MQ Cipsa

Carr. Fed. Mexico-Puebla KM 126.5 Tel: (52) 222-225-9900
Momoxpan, Cholula, Puebla 72760 Mexico Fax: (52) 222-285-0420
Contact: pmastretta@cipsa.com.mx

CANADA

Multiquip

4110 Industriel Boul. Tel: (450) 625-2244
Laval, Quebec, Canada H7L 6V3 Fax: (450) 625-8664
Contact: jmartin@multiquip.com

UNITED KINGDOM

Multiquip (UK) Limited Head Office

Hanover Mill, Fitzroy Street, Tel: 0161 339 2223
Ashton-under-Lyne, Fax: 0161 339 3226
Lancashire OL7 0TL
Contact: sales@multiquip.co.uk

BRAZIL

Multiquip

Av. Evandro Lins e Silva, 840 - grupo 505 Tel: 011-55-21-3433-9055
Barra de Tijuca - Rio de Janeiro Fax: 011-55-21-3433-9055
Contact: cnavarro@multiquip.com.br, srentes@multiquip.com.br

© COPYRIGHT 2005, MULTIQUIP INC.

Multiquip Inc. and the MQ logo are registered trademarks of Multiquip Inc. and may not be used, reproduced, or altered without written permission. All other trademarks are the property of their respective owners and used with permission.

This manual MUST accompany the equipment at all times. This manual is considered a permanent part of the equipment and should remain with the unit if resold.

The information and specifications included in this publication were in effect at the time of approval for printing. Illustrations are based on the *HS81 Cut-Off Saw*. Illustrations, descriptions, references and technical data contained in this manual are for guidance only and may not be considered as binding. Multiquip Inc. reserves the right to discontinue or change specifications, design or the information published in this publication at any time without notice and without incurring any obligations.

Your Local Dealer is:

