

PARTS MANUAL



MODELS HTX-44K4, HTX-44K5 HTX-44Y4, HTX-44Y5 HYDRAULIC RIDE-ON TROWEL (KUBOTA/YANMAR DIESEL ENGINES)

Revision #20 (04/11/23)

To find the latest revision of this publication or associated operation manual, visit our website at: www.multiquip.com



THIS MANUAL MUST ACCOMPANY THE EQUIPMENT AT ALL TIMES.

PN: 21658

HTX-44K/44Y Ride-On Power Trowel

Explanation Of Code In Remarks Column.....	4
Suggested Spare Parts	5

Component Drawings

Nameplate And Decals Assembly.....	6-7
Frame Assembly	8-9
Platform Assembly	10-11
Coolant Valve Bypass Assembly	12-13
Hydraulic Assembly	14-17
Burp Tank/Suction Filter Assembly	18-19
Pump Levers Assembly	20-21
Engine Assembly (Kubota)	22-23
Engine Assembly (Yanmar)	24-27
Pivot Assembly	28-29
5-Blade Stabilizer Ring Assembly.....	30-31
4-Blade Stabilizer Ring Assembly.....	32-33
5-Blade Spider Assembly (Tapered LH)	34-35
5-Blade Spider Assembly (Tapered RH).....	36-37
4-Blade Spider Assembly (Tapered LH)	38-39
4-Blade Spider Assembly (Tapered RH).....	40-41
Seat Frame Assembly (Kubota).....	42-43
Seat Frame Assembly (Yanmar).....	44-45
Front Panel Assembly (Right-Side)	46-47
Frame Assembly (Right-Front)	48-49
Frame Assembly (Right-Rear)	50-51
Frame Assembly (Left-Front/Rear)	52-53
Right-Hand Valve Assembly.	54-55
Left-Hand Valve Assembly.....	56-57
Spray Assembly.....	58-59
Fuel Tank Assembly (Kubota)	60-61
Fuel Tank Assembly (Yanmar)	62-63
Battery Assembly	64-65

NOTICE

Specifications and part numbers are subject to change without notice.

EXPLANATION OF CODE IN REMARKS COLUMN

The following section explains the different symbols and remarks used in the Parts section of this manual. Use the help numbers found on the back page of the manual if there are any questions.

NOTICE

The contents and part numbers listed in the parts section are subject to change without notice. Multiquip does not guarantee the availability of the parts listed.

SAMPLE PARTS LIST

NO.	PART NO.	PART NAME
1	12345	BOLT1INCLUDES ITEMS W/%
2%		WASHER, 1/4 IN.NOT SOLD SEPARATELY
2%	12347	WASHER, 3/8 IN. ...1MQ-45T ONLY
3	12348	HOSEA/R ...MAKE LOCALLY
4	12349	BEARING1S/N 2345B AND ABOVE

NO. Column

Unique Symbols — All items with same unique symbol (@, #, +, %, or >) in the number column belong to the same assembly or kit, which is indicated by a note in the “Remarks” column.

Duplicate Item Numbers — Duplicate numbers indicate multiple part numbers, which are in effect for the same general item, such as different size saw blade guards in use or a part that has been updated on newer versions of the same machine.

NOTICE

When ordering a part that has more than one item number listed, check the remarks column for help in determining the proper part to order.

PART NO. Column

Numbers Used — Part numbers can be indicated by a number, a blank entry, or TBD.

TBD (To Be Determined) is generally used to show a part that has not been assigned a formal part number at the time of publication.

A blank entry generally indicates that the item is not sold separately or is not sold by Multiquip. Other entries will be clarified in the “Remarks” Column.

QTY. Column

Numbers Used — Item quantity can be indicated by a number, a blank entry, or A/R.

A/R (As Required) is generally used for hoses or other parts that are sold in bulk and cut to length.

A blank entry generally indicates that the item is not sold separately. Other entries will be clarified in the “Remarks” Column.

REMARKS Column

Some of the most common notes found in the “Remarks” Column are listed below. Other additional notes needed to describe the item can also be shown.

Assembly/Kit — All items on the parts list with the same unique symbol will be included when this item is purchased.

Indicated by:

“INCLUDES ITEMS W/(unique symbol)”

Serial Number Break — Used to list an effective serial number range where a particular part is used.

Indicated by:

“S/N XXXXX AND BELOW”

“S/N XXXX AND ABOVE”

“S/N XXXX TO S/N XXX”

Specific Model Number Use — Indicates that the part is used only with the specific model number or model number variant listed. It can also be used to show a part is NOT used on a specific model or model number variant.

Indicated by:

“XXXXX ONLY”

“NOT USED ON XXXX”

“Make/Obtain Locally” — Indicates that the part can be purchased at any hardware shop or made out of available items. Examples include battery cables, shims, and certain washers and nuts.

“Not Sold Separately” — Indicates that an item cannot be purchased as a separate item and is either part of an assembly/kit that can be purchased, or is not available for sale through Multiquip.

SUGGESTED SPARE PARTS

HTX-44K RIDE-ON TROWEL

1 to 3 units with Kubota Turbo Diesel Engine

Qty.	P/N	Description
4	20673	LATCH, RUBBER HOOD
2	20674	GRAB HANDLE
1	11098	CIRCUIT BREAKER
1	12017	RELAY, KILL
1	21470	SWITCH, ON-OFF
1	20165	PALM HANDLE KIT
2	12548	PUMP SPRAY
10	21597	BUMPER
5	21468	KNOB
1	21341	CABLE, CONTROL THUMB RELEASE 46"
4	21052	LIGHT
1	10568	THROTTLE CABLE
2	2829	ARM TROWEL
6	11039	BUSHING
3	2143	SPRING, R.S.
3	9111	SPRING, L.S.
1	21211	SPIDER, SERVICE KIT 5-BLADE
1	21751	SPIDER, SERVICE KIT 4-BLADE
2	20938	THRUST COLLAR KIT
2	21231	ISOLATOR
1	21301	PUMP ROD
1	12056	STEERING CYLINDER
1	20652	CYLINDER PITCH
2	21107	SUCTION FILTER
2	21266	BEARING BLOCK ASSY. RH
2	21267	BEARING BLOCK ASSY. LH
2	1627132090	OIL FILTER
2	7000043081	FUEL FILTER
2	1735111083	AIR CLEANER ELEMENT (KUBOTA)
1	406021	GAUGE, ENGINE STATUS
2	1628297010	FAN BELT
1	20511	IGNITION SWITCH
2	12940	IGNITION KEY ONLY

HTX-44Y RIDE-ON TROWEL

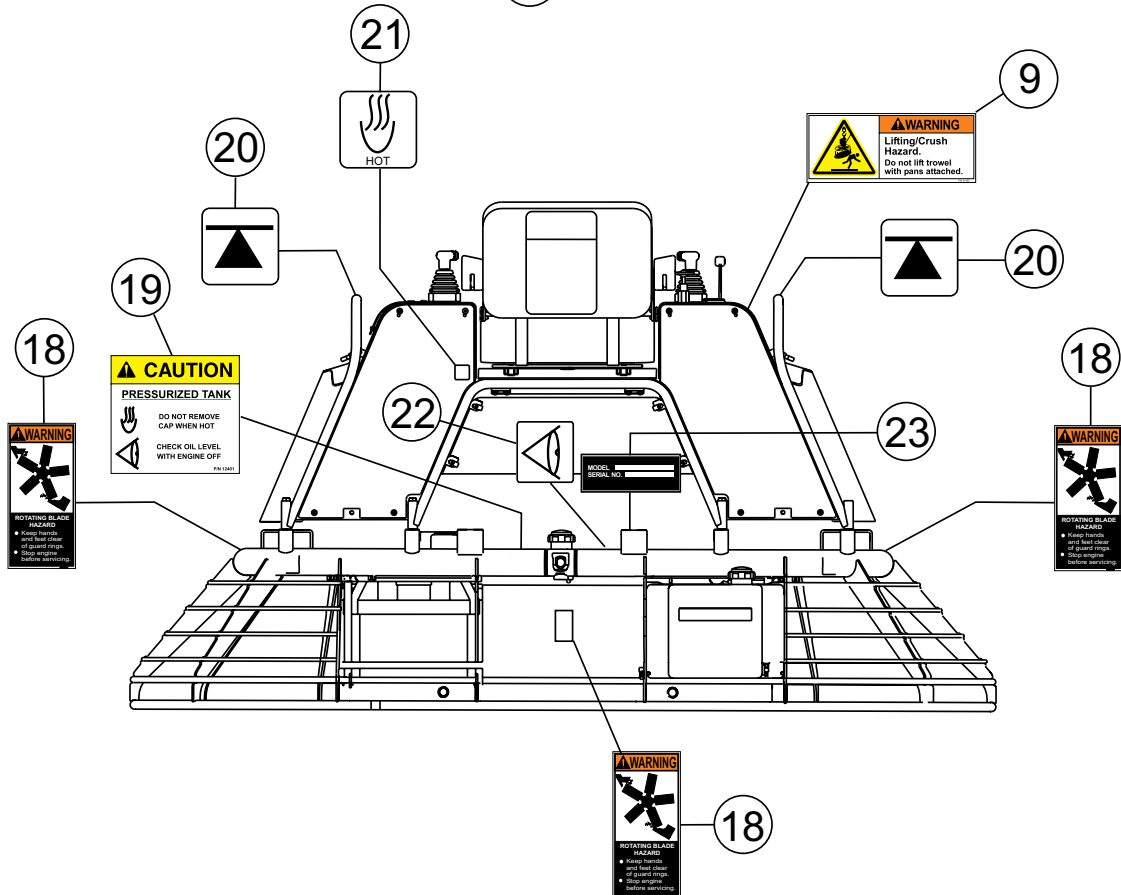
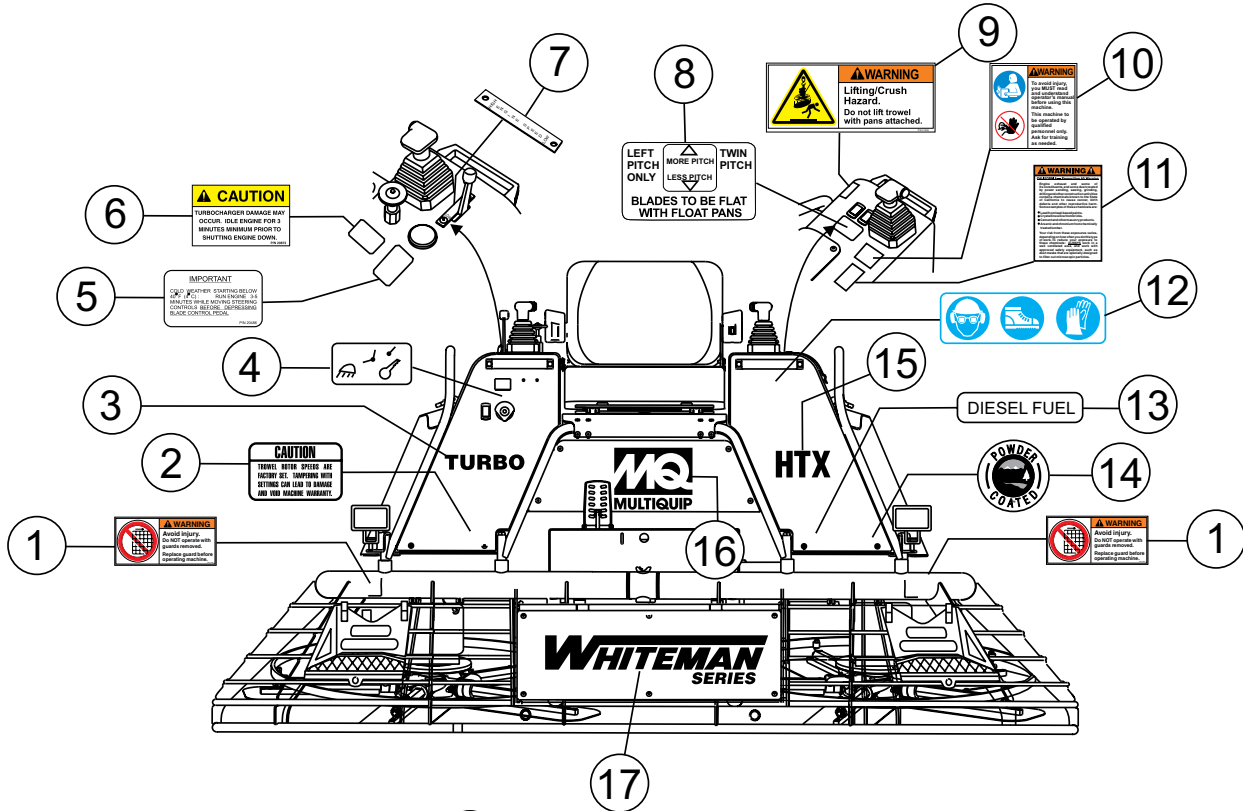
1 to 3 units units with Yanmar Turbo Diesel Engine

Qty.	P/N	Description
20	11534	U-TYPE NUT
2	20674	GRAB HANDLE
1	11098	CIRCUIT BREAKER
1	21870	RELAY, KILL SWITCH
1	21470	SWITCH, ON-OFF
1	20165	PALM HANDLE KIT
2	12548	PUMP SPRAY
10	21597	BUMPER
5	21468	KNOB
1	21341	CABLE, CONTROL THUMB RELEASE 46"
4	21052	LIGHT
1	10568	THROTTLE CABLE
2	2829	ARM TROWEL
6	1207	SCREW, HHC 5/16-18X1-3/4 TROWEL ARM
6	11039	BUSHING
6	2143	SPRING, R.S.
3	9111	SPRING, L.S.
1	21212	SPIDER, SERVICE KIT
2	20939	THRUST COLLAR KIT
2	21231	ISOLATOR
1	21301	PUMP ROD
1	12056	STEERING CYLINDER
1	20652	CYLINDER PITCH
2	21107	SUCTION FILTER
2	21266	BEARING BLOCK ASSY.
2	129150-35152	OIL FILTER
2	119802-55800	FUEL FILTER
1	21741	FUEL PUMP
1	406021	INDICATOR, ENGINE STATUS
2	P822768	AIR CLEANER CARTRIDGE
2	119865-42290	FAN BELT
1	1E01363590	IGNITION SWITCH
2	12627	IGNITION KEY ONLY
1	68900479	UPPER RADIATOR HOSE
1	68900480	LOWER RADIATOR HOSE

NOTICE

Part numbers on this Suggested Spare Parts list may supersede/replace the part numbers shown in the following parts lists.

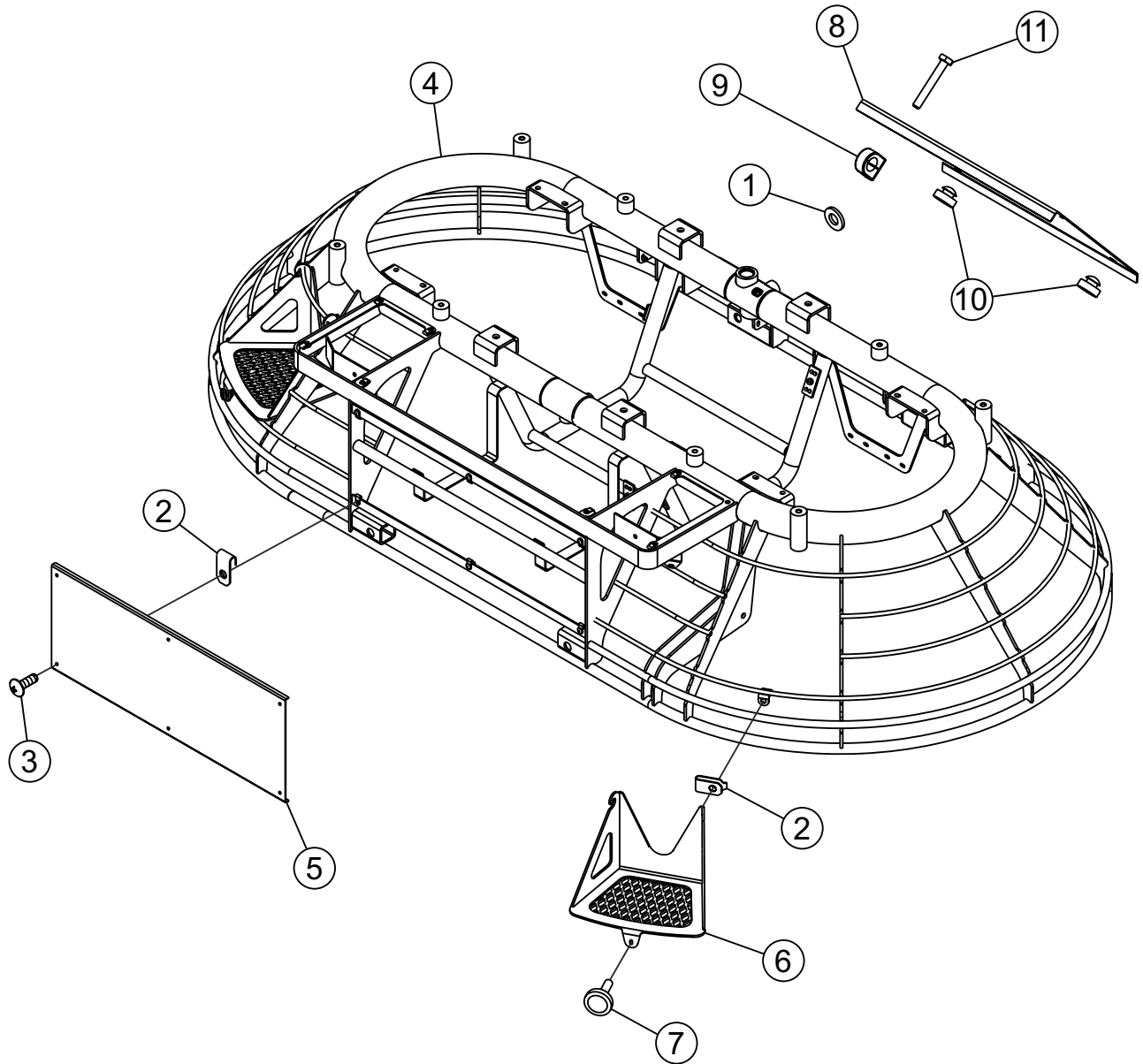
NAMEPLATE AND DECALS ASSY.



NAMEPLATE AND DECALS ASSY.

<u>NO.</u>	<u>PART NO.</u>	<u>PART NAME</u>	<u>QTY.</u>	<u>REMARKS</u>
1	21665	DECAL, WARNING, REPLACE GUARDS	2	SAFETY ITEM
2	20953	DECAL, CAUTION ROTOR SPEED SETTING	1	SAFETY ITEM
3	21590	DECAL, TURBO LOGO	1	
4	2814	DECAL, LIGHT, IGNITION SWITCH	1	
5	20486	DECAL, HYDRAULIC RIDER COLD START	1	
6	20872	DECAL, CAUTION TURBOCHARGER	1	SAFETY ITEM
7	11712	DECAL, ENGINE SPEED PLATE	1	
8	21169	DECAL, BLADE PITCH	1	
9	21455	DECAL, WARNING, LIFT CRUSH HAZARD	1	SAFETY ITEM
10	35137	DECAL, WARNING, READ MANUAL	1	SAFETY ITEM
11	20525	DECAL, WARNING, PROPOSITION 65	1	SAFETY ITEM
12	36099	DECAL, HELMET, BOOT, GLOVES (ISO BLUE)	1	SAFETY ITEM
13	11811	DECAL, DIESEL FUEL	1	
14	13118	DECAL, POWDER COATED	1	
15	21580	DECAL, HTX LOGO	1	
16	20936	DECAL, MQ LOGO	1	
17	21589	DECAL, WHITEMAN LOGO	1	
18	35168	DECAL, WARNING, ROTATING BLADE HAZARD	3	SAFETY ITEM
19	12401	DECAL, CAUTION, PRESSURIZED TANK	1	SAFETY ITEM
20		DECAL, LIFT POINT	2	PART OF DECAL KIT 11246 SAFETY ITEM
21		DECAL, HOT SURFACE	1	PART OF DECAL KIT 11246 SAFETY ITEM
22		DECAL, HYDRAULIC OIL CHECK	1	PART OF DECAL KIT 11246 SAFETY ITEM
23		NAMEPLATE	1	CONTACT MQ PARTS DEPT.

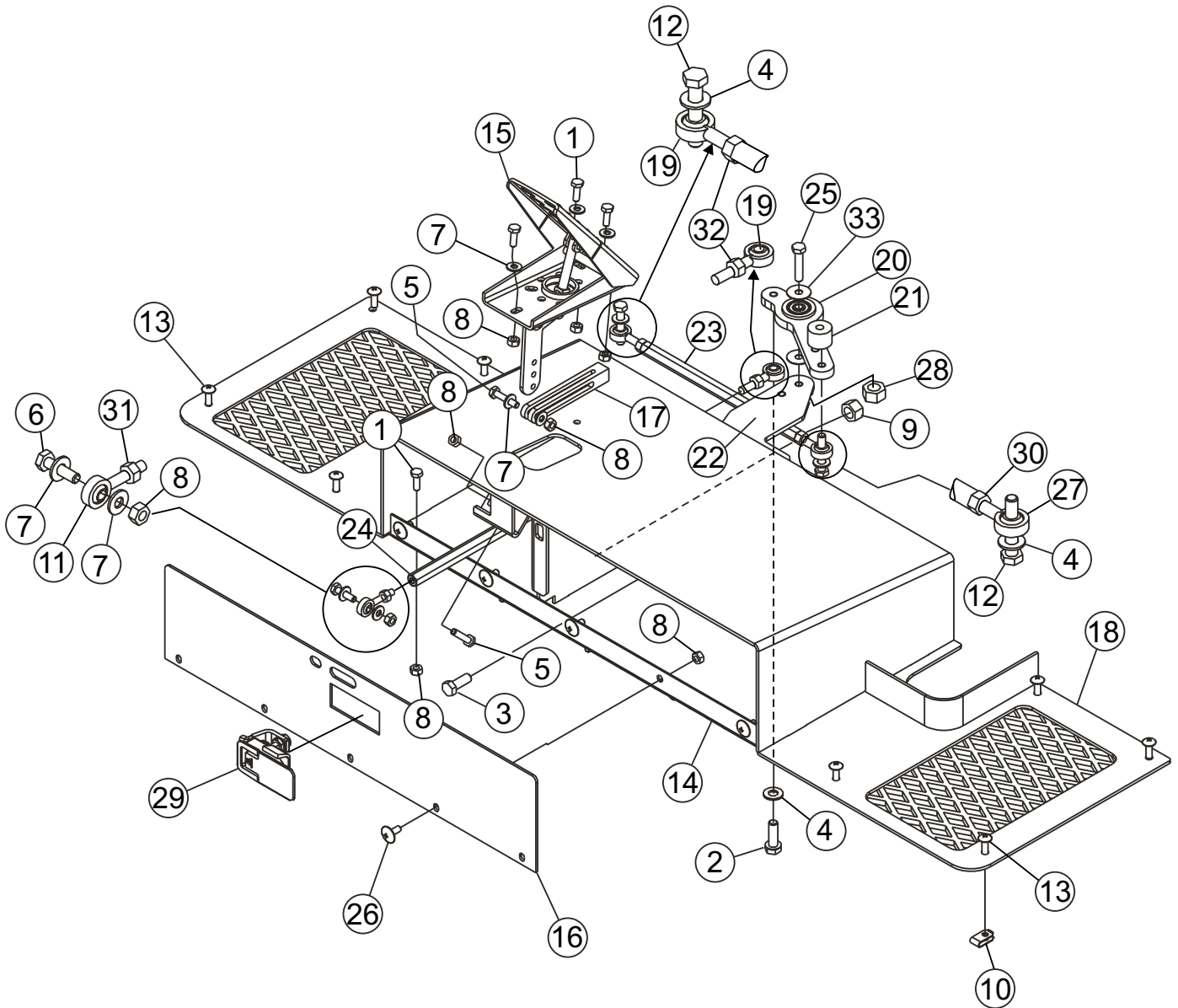
FRAME ASSY.



FRAME ASSY.

<u>NO.</u>	<u>PART NO.</u>	<u>PART NAME</u>	<u>QTY.</u>	<u>REMARKS</u>
1	0948	WASHER, FLAT, 1/4 SAE	4	
2	11534	NUT U TYPE 1/4-20	8	
3	12287	SCREW, THP 1/4-20 X 3/4 SS	6	
4	20610	FRAME W/A	1.....	KUBOTA
4	21935	FRAME W/A	1.....	YANMAR
5	20697	PANEL, FRONT	1.....	SAFETY ITEM
6	21374	STEP, W/A	2.....	SAFETY ITEM
7	21468	KNOB, PLASTIC 1/4-20 X 1 STUD	2	
8	21471	GATE, HTHA FRAME REAR	1.....	SAFETY ITEM
9	21490	CLAMP, TUBE 18MM STAUFF LN4180PP	2	
10	21597	BUMPER, STEM 1" DIA X .5" STEMX.31TK	2	
11	26250	SCREW, HHC 1/4-20 X 1-3/4	2	

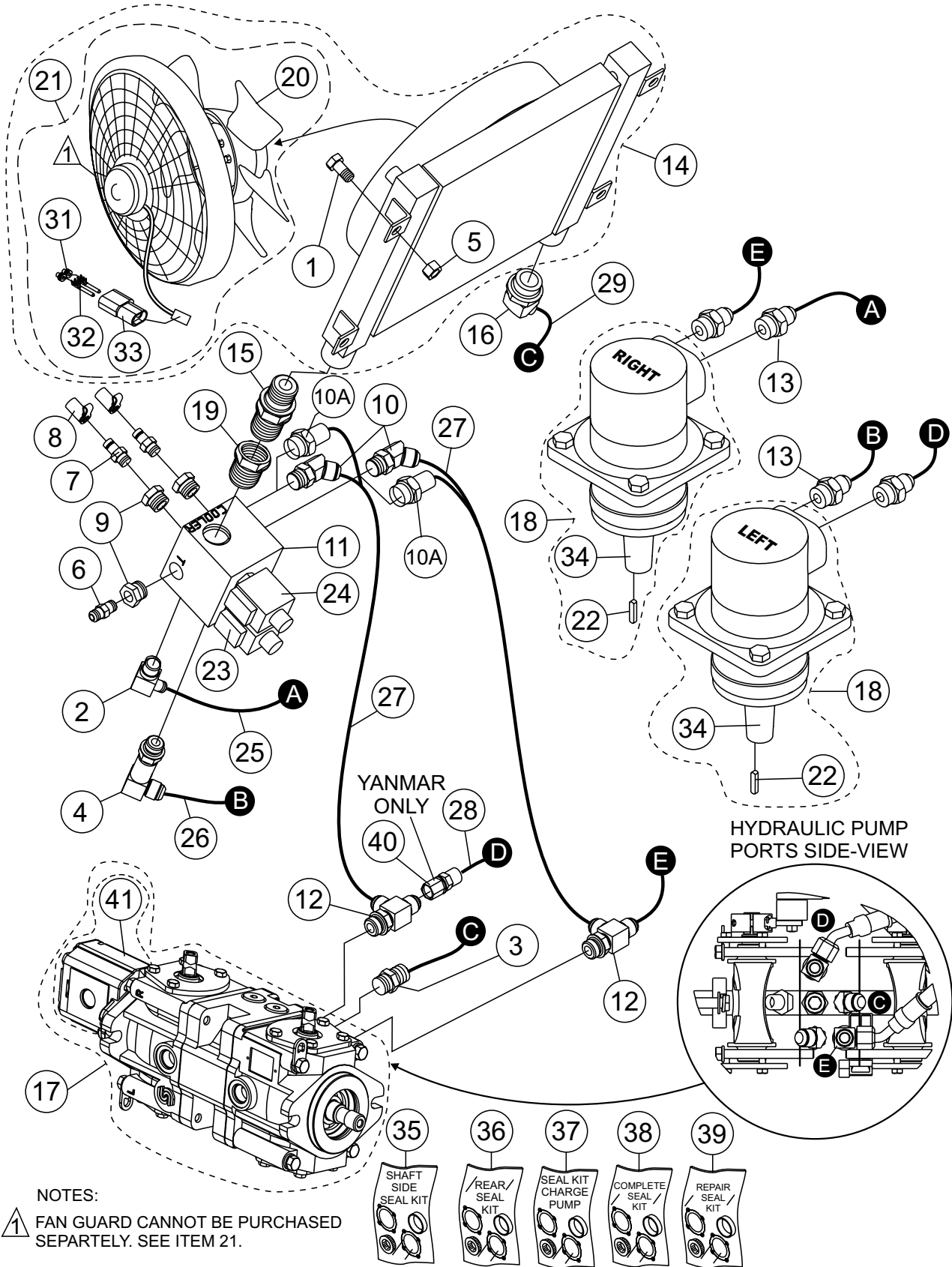
PLATFORM ASSY.



PLATFORM ASSY.

<u>NO.</u>	<u>PART NO.</u>	<u>PART NAME</u>	<u>QTY.</u>	<u>REMARKS</u>
1	0131 A	SCREW, HHC 1/4-20 X 3/4	8	
2	0202	SCREW, HHC 5/16-18 X 1	1	
3	0205	SCREW, HHC 3/8-16 X 1	2	
4	0300 B	WASHER, FLAT 5/16 SAE	3	
5	0424	SCREW, HHC 1/4-20 X 1-1/4	2	
6	0730	SCREW, HHC 1/4-20 X 1	1	
7	0948	WASHER, FLAT 1/4	7	
8	10024	NUT, NYLOC 1/4-20	11	
9	10133	NUT, NYLOC 3/8-16	2	
10	11534	NUT U-TYPE 1/4-20	8	
11	11643	ROD END, 1/4-28 MALE RH	1	
12	1207	SCREW, HHC 5/16-18 X 1-3/4	2	
13	12287	SCREW, THP 1/4-20 X 3/4 SS	8	
14	20692	HINGE, TOOLBOX ACCESS PANEL	1	
15	20694	PEDAL, HYDRAULIC PUMP	1	
16	20698	DOOR PLATE	1	
17	20699	CLEVIS, PUMP SPEED CONTROL	1	KUBOTA
17	21961	CLEVIS, PUMP SPEED CONTROL	1	YANMAR
18	20720	PLATFORM, OPERATOR W/A	1	
19	21262	ROD END, 5/16-24 MALE LH	2	
20	21389	LEVER W/A, PUMP CTRL LINKAGE	1	
21	21391	SPACER, 1.0 OD X .318 ID X .75L	1	
22	21392	MOUNT, PUMP CTRL LEVER PIVOT	1	
23	21394	ROD, PUMP CTRL HEX 8.0L	1	REPLACES P/N 21394
24	21395	ROD, PUMP CTRL HEX 12.38L	1	
25	21583	SCREW, HHC 5/16-24 X 1-1/2 GRD 8	1	
26	21611	SCREW, THP 1/4-20 X 5/8 SS	5	
27	21614	ROD END, 5/16-24 MALE RH HD	1	
28	22016	NUT, 5/16-18 X .63 PLATED	1	REPLACES P/N 2656
29	560020	LATCH, LIFT AND TURN	1	
30	6014 C	NUT, HEX FINISH 5/16-24	1	
31	6904	NUT, HEX FINISH 1/4-28	1	
32	8131	NUT, HEX FINISH L.H. 5/16-24	2	
33	933213	WASHER, FWSH 1 OD X 5/16	3	

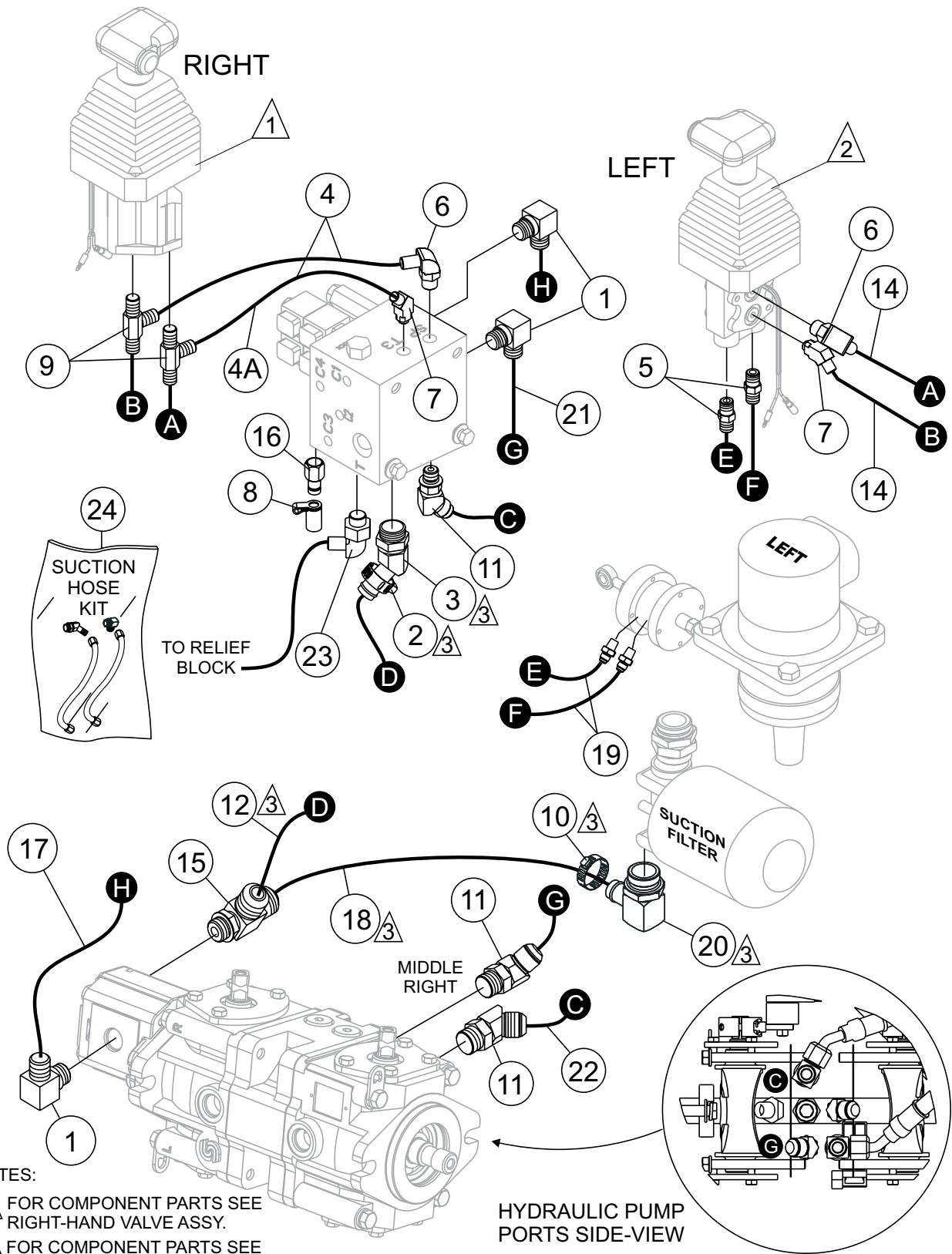
COOLANT VALVE BYPASS ASSY.



COOLANT VALVE BYPASS ASSY.

<u>NO.</u>	<u>PART NO.</u>	<u>PART NAME</u>	<u>QTY.</u>	<u>REMARKS</u>
1	2691	SCREW, HHC 1/2-13 X 1	4	
2	3322	FITTING, 90 10MJ-10MO	1	
3	3365	FITTING, STR 10MJ-10MO	1	
4	3464	FITTING, 90 10MJ-10MO EXTRA LONG	1	
5	10176	NUT, NYLOC 1/2-13	4	
6	12139	VALVE, RELIEF DT370 MOMF-125	1	
7	12147	FITTING, QC DIAGN PARKER PD-361	2	
8	12148	CAP, DUST DIAG PARKER PD6-285	2	
9	12331	FITTING, STR 10MO-6FO	2	
10	16336	FITTING, 45 10MJ-10MO	2	KUBOTA
10A	3365	FITTING, STR 10MJ-10MO	2	YANMAR
11	21056	VALVE, HYD BYPASS SEAT SWITCH	1	
12	21093	FITTING, TEE 10MJ-10MJ-10MO RUN	2	
13	21096	FITTING, STR 10MJ-12MO	4	
14	21129	COOLER, HYD MF15	1	INCLUDES ITEMS W/@
15	21130	FITTING, STR 16MO-16MO ADJ	1	
16	21194	FITTING, 45 12MJ-16MO	1	
17	21287	PUMP ASSY., TANDEM SAUER M25	1	INCLUDES ITEMS W/>
18	21289	MOTOR, HYDRAULIC (EATON)	2	S/N 2001367 AND BELOW INCLUDES ITEMS W/\$
18	21855	MOTOR, HYDRAULIC (SAUER-DANFOSS)	2	S/N 2001368 AND ABOVE INCLUDES ITEMS W/\$
19	21585	FITTING, STR 10MO-6FO	1	
20@#	68197	FAN	1	
21@	68229	FAN, MOTOR ASSEMBLY	1	INCLUDES ITEMS W/#
22\$	21770	KEY, MOTOR, EATON	2	
22+	21899	KEY, MOTOR, SAUER DANFOSS	2	
23	21889	COIL, PARKER	1	
24	21888	POPPET SOLENOID	1	
25	21519	HOSE ASSY., .38 ID X 29L 90 ONE END	1	
26	21162	HOSE ASSY., 1/2" ID X 57.5 LG 45 ONE END	1	
27	21158	HOSE ASSY., 1/2" ID X 24 LG STR ENDS	3	
28	21161	HOSE ASSY., 1/2" ID X 44.5 45 END 90 END	1	
29	21296	HOSE ASSY., 3/4 ID X 15.25 90 END R4	1	
30	21102	HOSE ASSY., 5/8 ID X 20 LG 45 ENDS	1	
31@#	12171	SEAL, WPACK 16-18	2	
32@#	12179	TERMINAL, WPACK MALE 14-16GA	2	
33@#	12176	CONNECTOR, WPACK 2PIN SHROUD	1	
34\$	202861003	SHAFT/BEARING HYD. MOTOR, EATON	2	S/N 2001367 AND BELOW
34+	11009878	SHAFT/BEARING HYD. MOTOR, DANFOSS	2	S/N 2001368 AND ABOVE
35%	61237000	SEAL KIT, SHAFTSIDE, EATON	1	S/N 2001367 AND BELOW
36%	61238000	SEAL KIT, REAR, EATON	1	S/N 2001367 AND BELOW
37	163S8168	SEAL KIT, CHARGE PUMP	1	SAUER DANFOSS
38	9900374000	SEAL KIT, COMPLETE (EATON)	2	INCLUDES ITEMS W/%
38	151B0113	SEAL KIT, COMPLETE, SAUER DANFOSS	2	S/N 2001368 AND ABOVE
39	4510016	REPAIR/SEAL KIT, PUMP M25 DANFOSS	1	S/N 2001368 AND ABOVE
40	21997	FITTING, STR-10FJ X 10MJ	1	YANAMAR ONLY
41>	163D70517	CHARGE PUMP, SAUER DANFOSS	1	

HYDRAULIC ASSY.



NOTES:

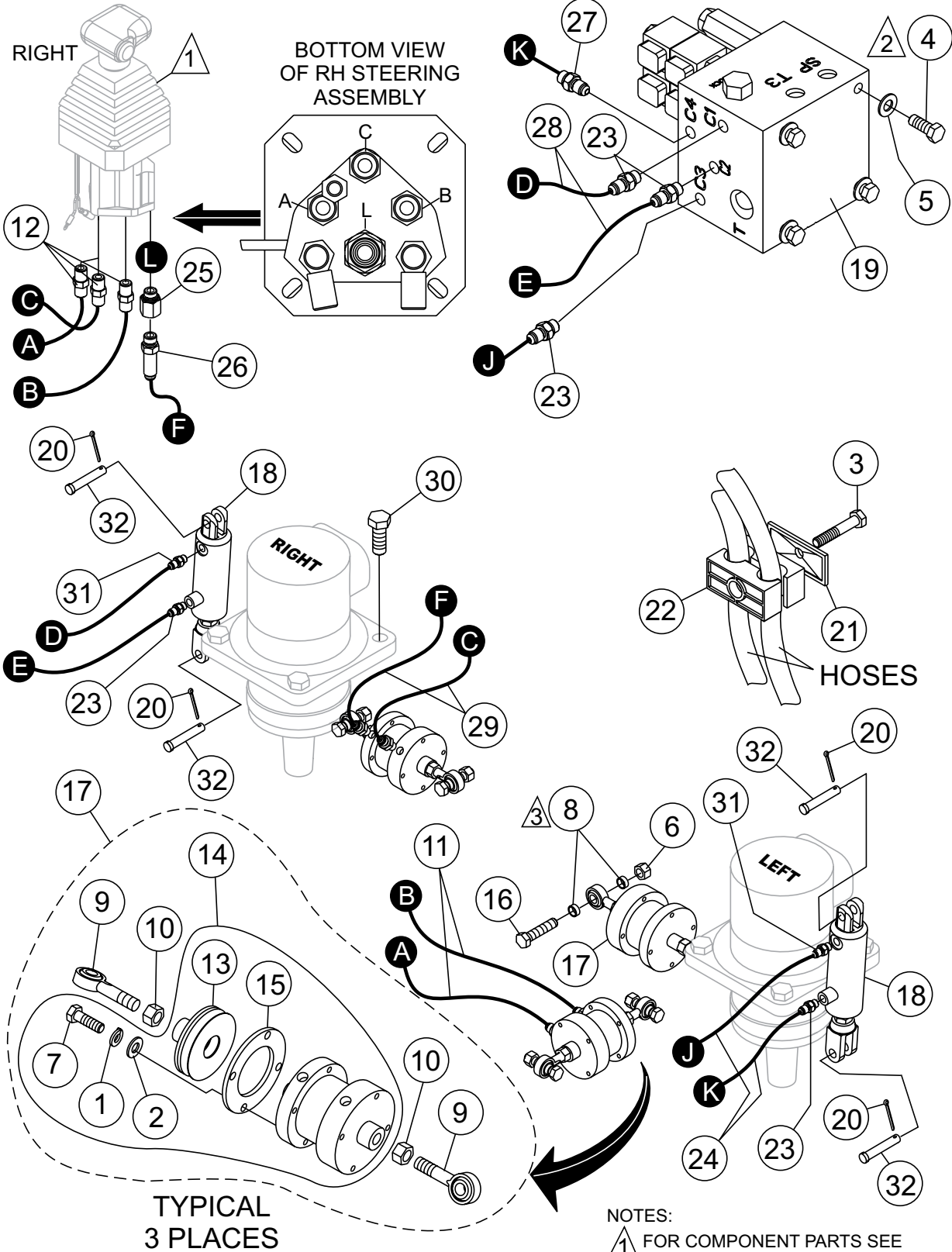
- ▲1 FOR COMPONENT PARTS SEE RIGHT-HAND VALVE ASSY.
- ▲2 FOR COMPONENT PARTS SEE LEFT-HAND VALVE ASSY.
- ▲3 DISCARD ITEMS 2, 3, 12, 18 AND 20 S/N BF2001228 AND BELOW

HYDRAULIC PUMP PORTS SIDE-VIEW

HYDRAULIC ASSY.

<u>NO.</u>	<u>PART NO.</u>	<u>PART NAME</u>	<u>QTY.</u>	<u>REMARKS</u>
1	3322	FITTING, 90 10MJ-10MO	3	
2		CLAMP, 1-1/4 HOSE.....	1.....	DISCARD S/N BF2001228 AND BELOW
3		FITTING, 45 12BARB-12MO	1	REPLACED BY HOSE KIT ITEM 24
3@	21815	FITTING, 45 12MJ X-12MO.....	1.....	S/N BF2001229 AND ABOVE
4	11698	HOSE ASSY., .38 ID X 15.5 STR ENDS.....	2.....	KUBOTA
4	21772	HOSE ASSY., .38 ID X 15.5 STR ENDS.....	1.....	YANMAR
4A	21771	HOSE ASSY., .38 ID X 11.5 STR ENDS.....	1.....	YANMAR
5	11721	FITTING, STR 6MJ-6MO	2	
6	11722	FITTING, 90 6MJ-6MO	2	
7	11780	FITTING, 45 6MJ-6MO	2	
8	12148	CAP, DUST DIAG PARKER PD6-285	1	
9	12159	FITTING, TEE 6MJ-6MO-6MJ	2	
10		CLAMP, HOSE 1-3/4 ID.....	1.....	DISCARD S/N BF2001228 AND BELOW
11	16336	FITTING, 45 10MJ-10MO	3	
12		HOSE ASSY., 3/4 ID X 16.25-16 STR END R4.....	1.....	REPLACED BY HOSE KIT ITEM 24
12@	21819	HOSE ASSY., 3/4 ID X 17.50-16 STR END.....	1.....	S/N BF200122 AND ABOVE
13	20831	VALVE ASSY., LH STEERING W/SWITCH	1	
14	21695	HOSE ASSY., .38 ID X 40 -6FJX-6FJ 90 LONG	2	
15	21595	FITTING, TEE 16MJ-12MO-16MJ	1	
16	12546	FITTING, QD 4MO DIAGN PARKER PD341	1	
17	21146	HOSE ASSY., .5 ID X 24 LG 45 ONE END	1	
18		HOSE ASSY., 1.0 ID X 30L 90 ONE END R4.....	1.....	REPLACED BY HOSE KIT ITEM 24
18@	21818	HOSE ASSY., 1.0 ID X 30L 90 ONE END.....	1.....	S/N BF2001229 AND ABOVE
19	21201	HOSE ASSY., .38 ID X 36.5 LG STR ENDS.....	2.....	KUBOTA
19	21995	HOSE ASSY., .38 ID X 40.5 LG STR ENDS.....	2.....	YANMAR
20		FITTING, 90 16BARB-20MO	1	REPLACED BY HOSE KIT ITEM 24
20@	21814	FITTING, 90 16MJ X -20MO.....	1.....	S/N BF2001229 AND ABOVE
21	21158	HOSE ASSY., .5 ID X 22.5 STR ENDS	1	
22	12901	HOSE ASSY., .5 ID X 16.5 STR END	1	
23	11723	FITTING, 90 6MJ-8MO	1	
24	21834	HTX SUCTION HOSE KIT.....	1.....	INCLUDES ITEMS W/@ INSTALLED ON UNITS S/N BF2001228 AND BELOW

HYDRAULIC ASSY. (CONT'D.)

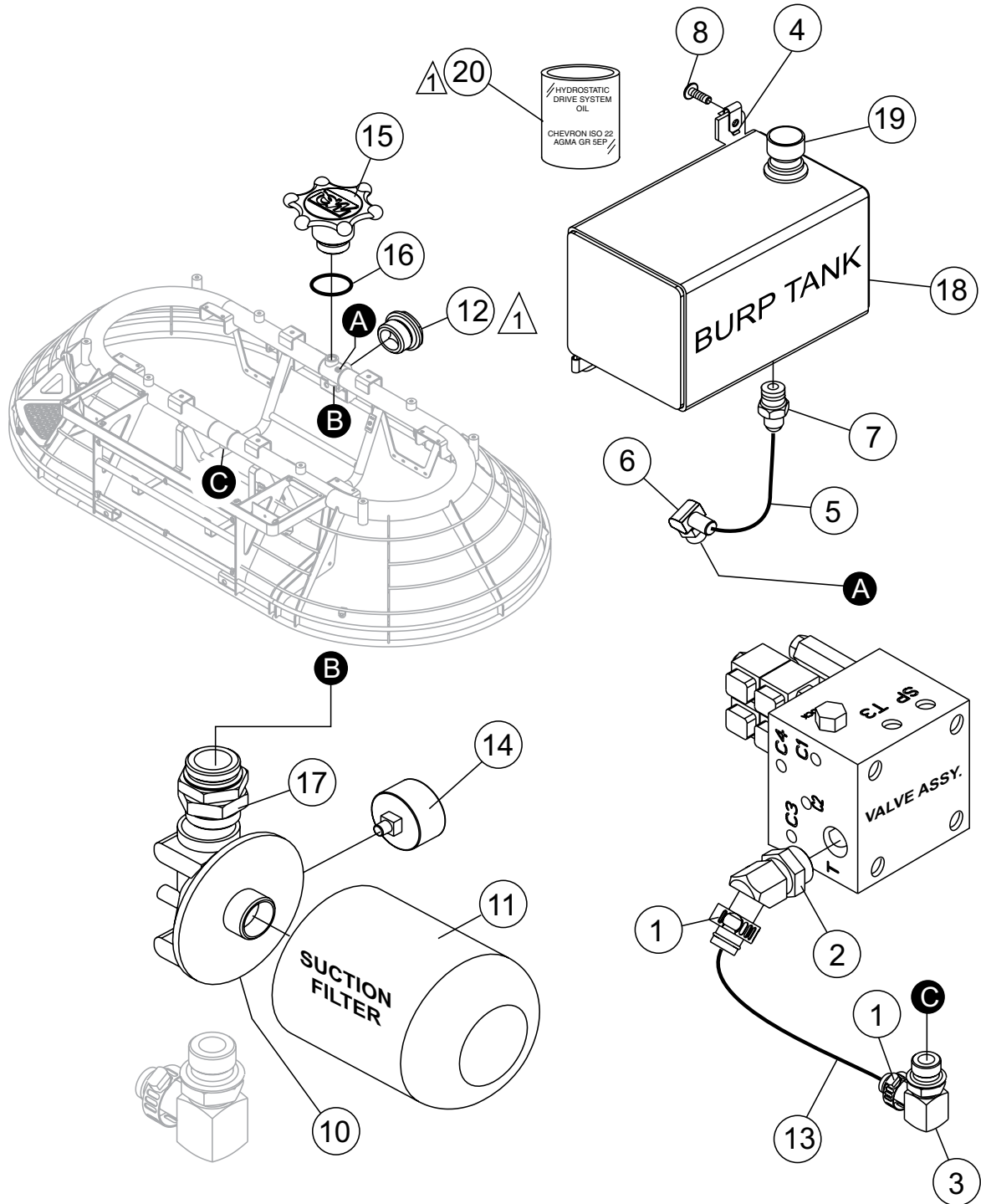


- NOTES:
- ▲ FOR COMPONENT PARTS SEE RIGHT-HAND VALVE ASSY.
 - ▲ APPLY LOCTITE P/N 4 PLACES
 - ▲ ITEM 8 IS NO LONGER REQUIRED. SPACER IS INCLUDED WITH ITEM 9.

HYDRAULIC ASSY. (CONT'D.)

<u>NO.</u>	<u>PART NO.</u>	<u>PART NAME</u>	<u>QTY.</u>	<u>REMARKS</u>
1	42197	PEDAL, FOOT	1	
1#%	0161 C	WASHER, LOCK 5/16 SAE	12	
2#%	0300 B	WASHER, FLAT 5/16 SAE	12	
3	1207	SCREW, HHC 5/16-18 X 1-3/4	5	
4*	4196	SCREW, HHC 3/8-16 X 3/4	4	
5	10136	WASHER, FLAT 3/8 SAE	4	
6	10176	NUT, NYLOC 1/2-13	6	
7#%	10229	SCREW HHC 5/16-20 X 1	12	
8	11141	SPACER, ROD END.....	12.....	NOT REQUIRED INCLUDED ITEM W/ITEM 9
9%	21944	ROD END, 1/2-20 MALE RH.....	6.....	REPLACES P/N 11142
10%	11146	NUT, HEX JAM 1/2-20	6	
11	26867	HOSE ASSY., .38 ID X 63" JF J-6FJ	2	
12	11721	FITTING, STR 6MJ-6MO	3	
13#%	12038	BELLOW, STG CYLINDER	3	
14%	12056	CYLINDER, STEERING WITHOUT ROD END.....	3.....	INCLUDES ITEMS W/#
15#%	12060	PLATE, BELLOWS MOUNTING	3	
16	13178	SCREW, HHC 1/2-13 X 2-1/4	6	
17	20140	CYLINDER, STEERING W/ ROD END.....	3.....	INCLUDES ITEMS W/%
18	20652	CYLINDER, HYD PITCH 1.5 BORE	2	
19	20780	VALVE ASSY., HYD PITCH	1	
20	0183	PIN, COTTER	4	
21	20912	COVER, 0.75 CLAMP STAUFF GD-3D	5	
22	20913	CLAMP, 0.75 OD TUBE STAUFF 3190/190 DPP	5	
23	21095	FITTING, STR 4MJ-4MO	5	
24	21098	HOSE ASSY., 1/4 ID X 82 STR ENDS	2	
25	21114	FITTING, STR 6FO-6MO	1	
26	21115	FITTING, STR 6MJ-6MO LONG	1	
27	21159	FITTING, 45 4MJ-4MO	1	
28	21160	HOSE ASSY., 1/4 ID X 47 STR ENDS	2	
29	12055	HOSE ASSY., .38 ID X 36 45 ONE END.....	2.....	KUBOTA
29	21201	HOSE ASSY., .38 ID X 36.5 STR ENDS.....	2.....	YANMAR
30	21376	SCREW, HHC 5/8-11 X 1.50	8	
31	35149	FITTING, ORIFICE 4MJ-4MOX0.02	2	
32	19974	PIN	4	

BURP TANK/SUCTION FILTER ASSY.



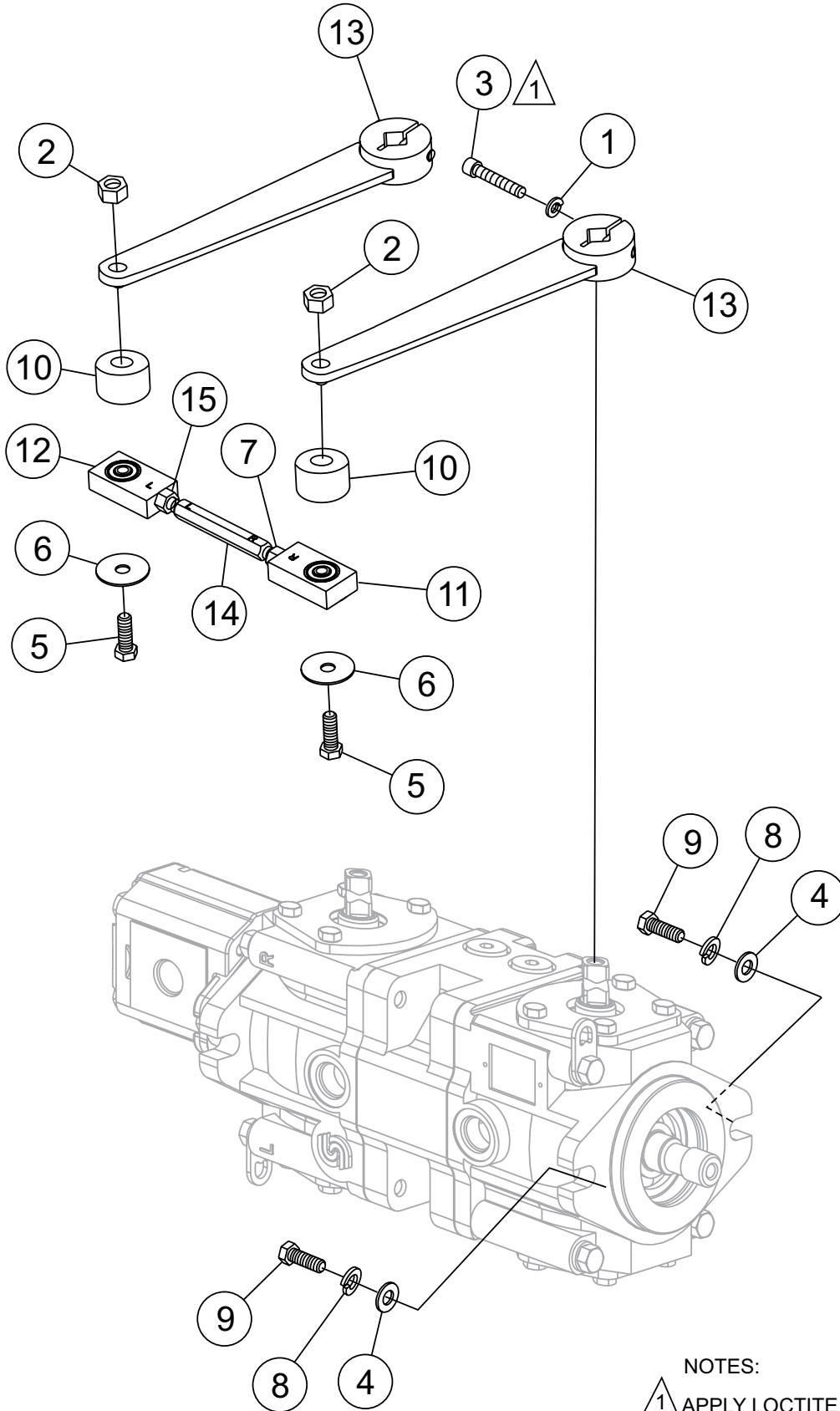
NOTES:

- ⚠ USE HYDROSTATIC DRIVE SYSTEM OIL, CHEVRON AW/MV ISO68 OR 10W30 GR 5EP. OIL CAPACITY IS 5.5 GALLONS (20.82 LITERS) LESS FILTER CHANGE. WITH FILTER CHANGE (CHECK SIGHT GLASS) ADD .5 GAL/1.89 LITERS.

BURP TANK/SUCTION FILTER ASSY.

<u>NO.</u>	<u>PART NO.</u>	<u>PART NAME</u>	<u>QTY.</u>	<u>REMARKS</u>
1	3333	CLAMP, HOSE WORM #12 11/16 TO 1-1/4	2	
2	3366	FITTING, 45 12BARB-12MO	1	
3	3461	FITTING, 90 12BARB-12MO	1	
4	11534	NUT U-TYPE 1/4-20	2	
5	11696	HOSE ASSY., .38 ID X 35.5 STR ENDS	1	
6	11722	FITTING, 90 6MJ-6MO	1	
7	11725	FITTING, STR 6MJ-1/4MP	1	
8	12287	SCREW, THP 1/4-20 X 3/4 SS	2	
10	21106	HOUSING, FLTR SUC ZINGA SF-100	1	
11	21107	FILTER, SUCTION 5" 10 MICRON SYNTH LHA	1	
12	21109	SIGHT GLASS, DASH 12 ORB PLASTIC	1	
13	21154	HOSE, 3/4 ID X 37 MEGAVAC	1	
14	21193	GAUGE, FILTER COND ZINGA GV-10	1	
15	21400	PLUG, HYD TANK HAND WHEEL	1	
16	21406	O-RING, HYD DASH16 BUNA90	1	
17	21407	FITTING, STR 20MO-20MO ADJ	1	
18	21510	TANK W/A, HYD BURP	1	
19	21513	BREATHER, FILTER 10 MICRON 1/4MP PLASTIC	1	
20		HYDROSTATIC DRIVE SYSTEM OIL	AR	SOURCE LOCALLY

PUMP LEVERS ASSY.



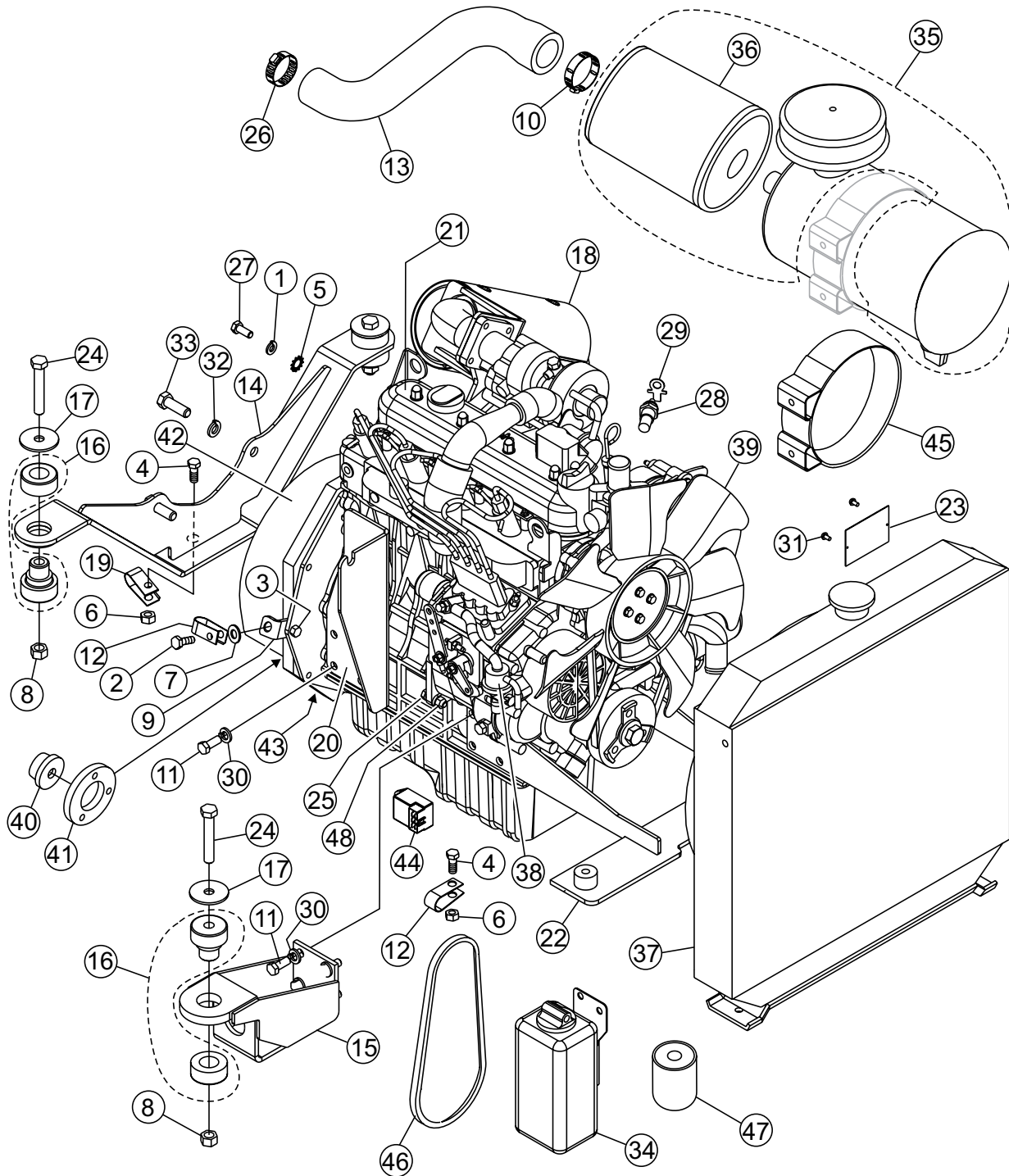
NOTES:

- 1 APPLY LOCTITE P/N 60091
2 PLACES.

PUMP LEVERS ASSY.

<u>NO.</u>	<u>PART NO.</u>	<u>PART NAME</u>	<u>QTY.</u>	<u>REMARKS</u>
1	0161 C	WASHER, LOCK, 5/16 MED	2	
2	0161 D	NUT, HEX FINISH 5/16-18	2	
3	0243	SCREW, SHC 5/16-18 X 1-3/4	2	
4	0447	WASHER, FLAT 1/2 SAE	2	
5	1207	SCREW, HHC 5/16-18 X 1-3/4	2	
6	3233	WASHER, FENDER 1.5 OD X 3/8 ID	2	
7	5023 B	NUT, HEX FINISH 3/8-24 PLAIN	1	
8	5054 A	WASHER, LOCK, 1/2 MED	2	
9	5218	SCREW, HHC 1/2-13 X 1-1/2	2	
10	21231	ISOLATOR, PLATE/STUD 5/16	2	
11	21266	BEARING BLOCK ASSY., PUMP CTRL RH	1	
12	21267	BEARING BLOCK ASSY., PUMP CTRL LH	1	
13	21290	LEVER W/A, PUMP CONTROL M25	2	
14	21301	ROD, PUMP ACTUATOR M25	1	
15	21342	NUT, HEX FINISH 3/8-24 LH	1	

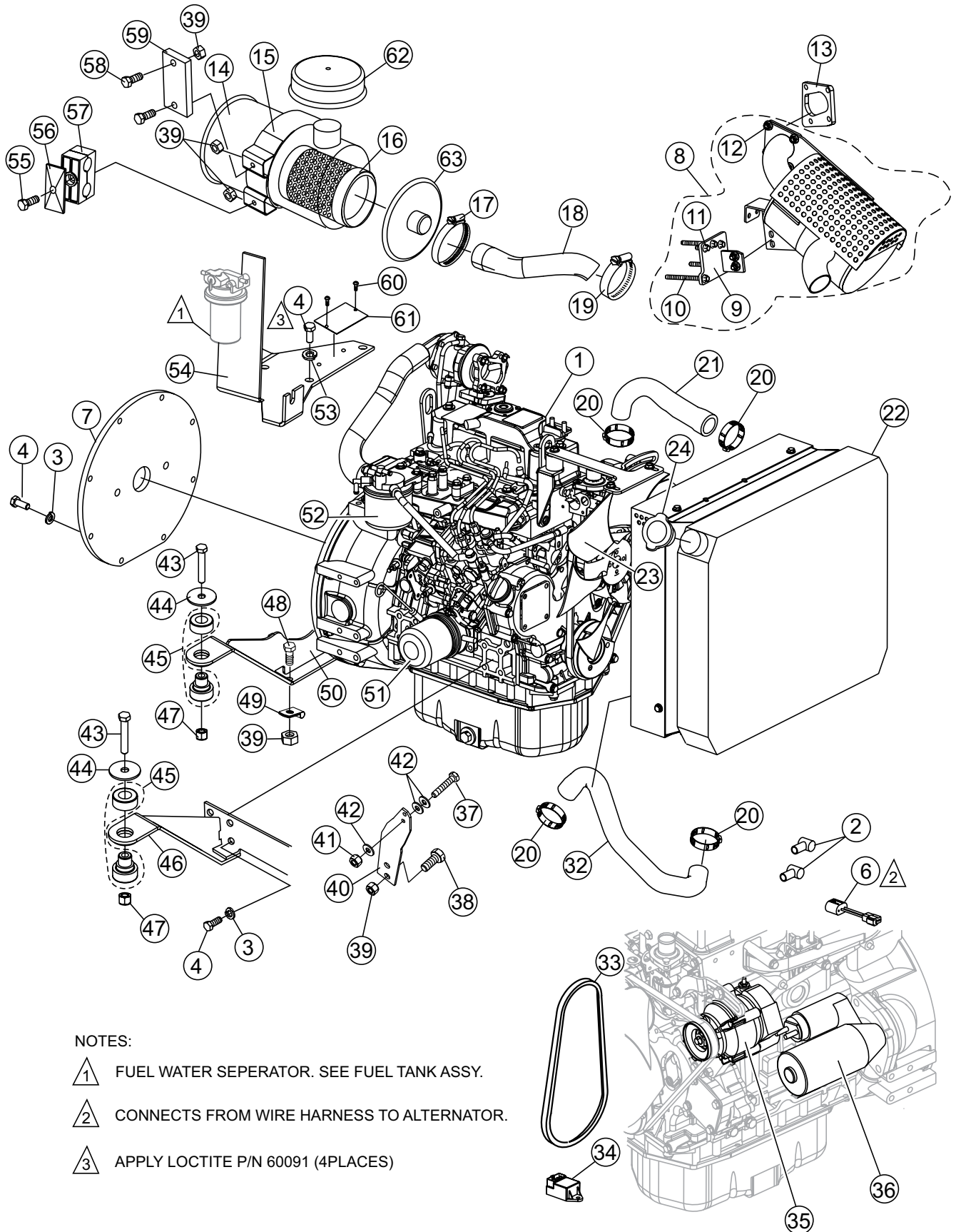
ENGINE ASSY. (KUBOTA)



ENGINE ASSY. (KUBOTA)

<u>NO.</u>	<u>PART NO.</u>	<u>PART NAME</u>	<u>QTY.</u>	<u>REMARKS</u>
1	0161 C	WASHER, LOCK, 5/16 MED	1	
2	0166	SCREW, HHC 3/8-16 X 7/8	1	
3	0202	SCREW, HHC 5/16-18 X 1	1	
4	0205	SCREW, HHC 3/8-16 X 1	2	
5	0479	WASHER, EXT SHKP 3/8 PLTD	1	
6	10133	NUT, NYLOC 3/8-16	3	
7	10136	WASHER, FLAT 3/8 SAE	1	
8	10176	NUT, NYLOC 1/2-13	4	
9	10320	BRACKET, REAR LIGHT	1	
10	10434	CLAMP, HOSE WORM #32, 1-9/16 TO 2	1	
11	11662	SCREW, HHC M10-1.25 X 25MM	8	
12	8128	CLAMP, HOSE SUPPORT 5/16	2	
13	20123	HOSE, AIR CLEANER	1	
14	20728	MOUNT, KUBOTA ENGINE HTX-44T	1	
15	20729	MOUNT/W, ENGINE HTX-44T	2	
16	20742	ISOLATOR, RB2 RING AND BUSHING	4	
17	20743	WASHER, ISOLATOR SNUBBING	4	
18	20965	MUFFLER, KUBOTA 1505 HTH	1	
19	21242	CLAMP, HOSE 13/16 3/8 BLT HOLE	1	
20	21355	BRACKET PUMP CONTROL CABLE	1	
21	3TNV84TKSA	ENGINE, KUBOTA V 1505-TE	1	
22	21522	MOUNT, RADIATOR	2	
23		PLATE, SERIAL RIDERS.....	1CONTACT MQ PARTS DEPT.
24	2549	SCREW, HHC 1/2-13 X 3	4	
25	2623	SCREW, HHC 5/16-18 X 1-1/4	1	
26	26405	CLAMP, HOSE 1-3/4 ID	1	
27	2866	SCREW, HHC M8-1.25 X 20MM	1	
28	29504	SWITCH, THERMAL 230 F	1	
29	29506	TERMINAL, BLADE TO #8 RING ADAPT	1	
30	2955	WASHER, LOCK, 7/16 ZINC	8	
31	4014	SCREW, #2-3/16 U-DRIVE	2	
32	5054 A	WASHER, LOCK 1/2 MED	2	
33	5218	SCREW, HHC 1/2-13 X 1-1/2	2	
34	11983	RESERVOIR BOTTLE	1	
35	20327	AIR CLEANER ASSY., KUBOTA V1505-TE.....	1INCLUDES ITEMS W/%
36%	1735111083	ELEMENT, AIR CLEANER	1	
37	20320	RADIATOR KIT	1	
38	20319	FUEL FILTER KIT	1	
39	20316	FAN	1	
40	11378	COUPLING PUMP	1	
41	11605	FLANGE, DRIVE ENGINE 3-HOLE	1	
42	21504	BELL HOUSING	1	
43	20317	FLYWHEEL KIT	1	
44	29344	TIMER, GLOW PLUG	1	
45	1538111250	BAND, AIR CLEANER	1	
46	1628297010	FAN BELT	1	
47	1627132090	FILTER, OIL	1	
48	5283	NUT, NYLOC 5/16-18	2	

ENGINE ASSY. (YANMAR)



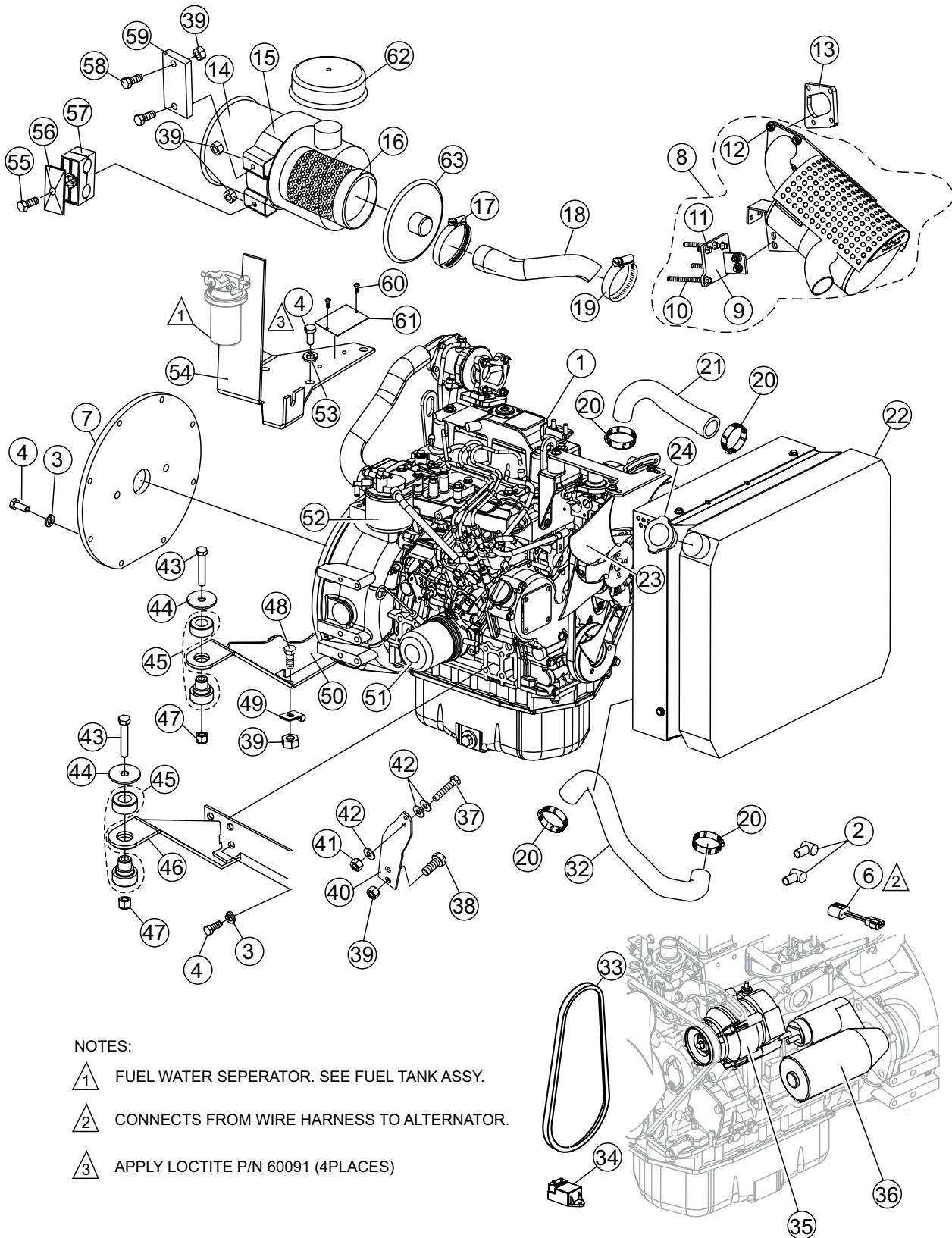
NOTES:

- ▲ 1 FUEL WATER SEPERATOR. SEE FUEL TANK ASSY.
- ▲ 2 CONNECTS FROM WIRE HARNESS TO ALTERNATOR.
- ▲ 3 APPLY LOCTITE P/N 60091 (4PLACES)

ENGINE ASSY. (YANMAR)

<u>NO.</u>	<u>PART NO.</u>	<u>PART NAME</u>	<u>QTY.</u>	<u>REMARKS</u>
1	21895	ENGINE, YANMAR 3TNV84T	1	
2	2762	TERMINAL BOOT	2	
3	2955	WASHER, LOCK 7/16 ZINC	15	
4	16056	SCREW, HHC M10-1.5 X 25MM GR 8.8	19	
6	21745	PIGTAIL, ALTERNATOR PLUG	1	
7	21921	COUPLER, HAYES	1	
8	21951	MUFFLER.....	1	INCLUDES ITEMS W/%
9%	22018	BRACKET, MUFFLER-LOWER HTX YANMAR	1	
10%	22022	SCREW, HEX FLANGE M8-1.25 X 90 MM GR 10.9	3	
11%	22021	SCREW, HEX FLANGE M8-1.25 X 20 MM GR 10.9	4	
12%	15227	NUT, HEX FLANGED M8-1.25 GR 10	6	
13	21950	GASKET, MUFFLER	1	
14	G065432	HOUSING, AIR CLEANER DONALDSON	1	
15	20120	CLAMP, AIR CLEANER	1	
16	PMAF25436	CARTRIDGE, AIR CLEANER DONALDSON	1	
17	29218	HOSE CLAMP, 3" DIA	1	
18	21948	HOSE, AIR INTAKE	1	
19	962015	HOSE CLAMP, 2" DIA	1	
20		CLAMP, HOSE RADIATOR	4	PURCHASE LOCALLY
21	68900479	HOSE, RADIATOR UPPER	1	
22	79000511	RADIATOR	1	
23	129612-44700	FAN	1	
24	69300002	CAP, RADIATOR	1	
32	68900480	HOSE, RADIATOR LOWER	1	
33	119865-42290	V-BELT, YANMAR	1	
34	29344	GLOW PLUG TIMER	1	
35	129423-77200	ALTERNATOR	1	
36	12960877010	STARTER MOTOR	1	

ENGINE ASSY. YANMAR (CONT'D.)



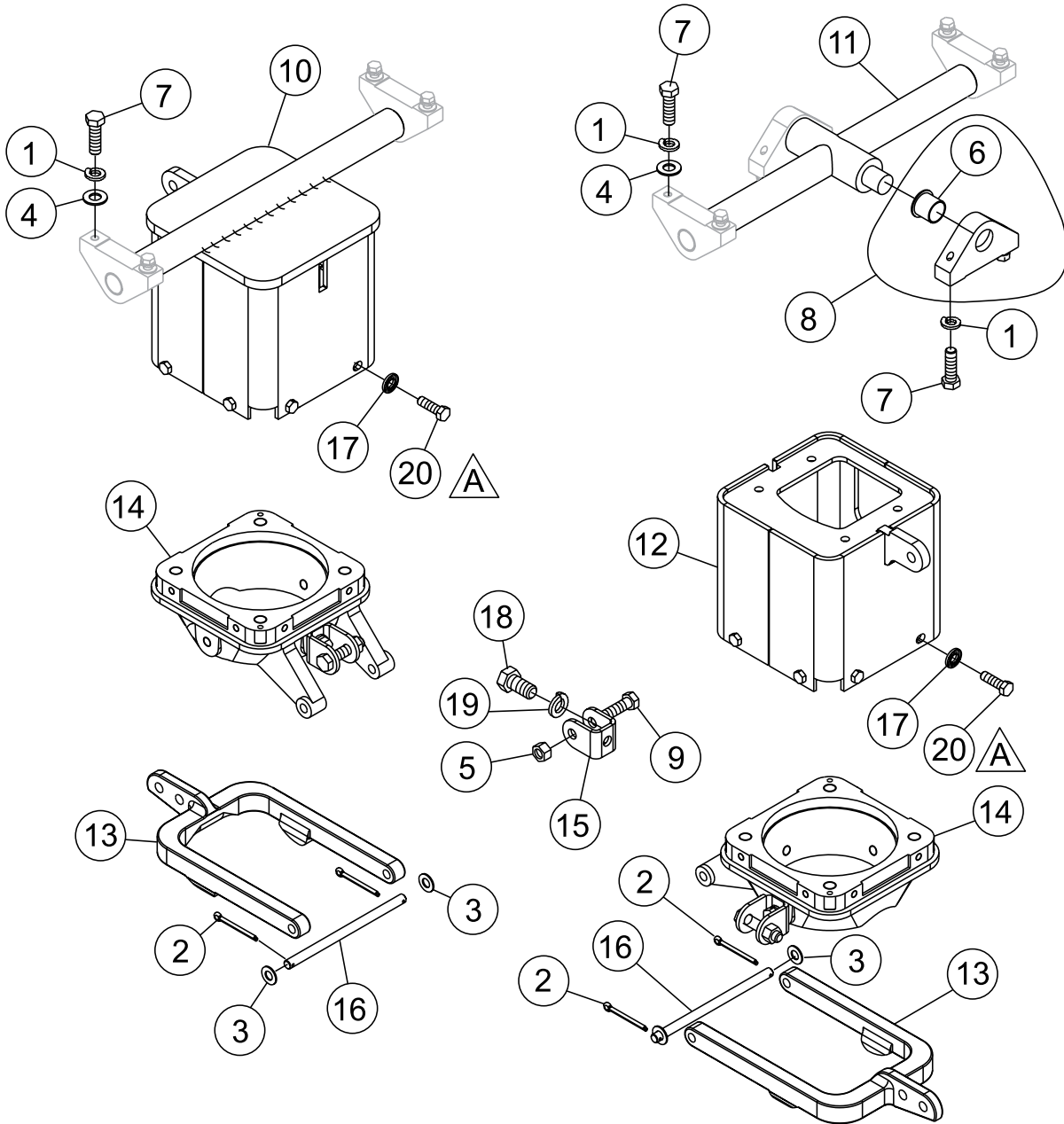
NOTES:

- 1 FUEL WATER SEPERATOR. SEE FUEL TANK ASSY.
- 2 CONNECTS FROM WIRE HARNESS TO ALTERNATOR.
- 3 APPLY LOCTITE P/N 60091 (4PLACES)

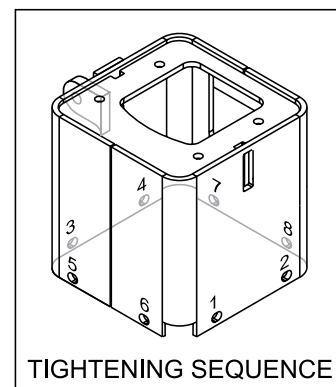
ENGINE ASSY. YANMAR (CONT'D.)

<u>NO.</u>	<u>PART NO.</u>	<u>PART NAME</u>	<u>QTY.</u>	<u>REMARKS</u>
37	3513	SCREW, HHC 10-32 X 1	1	
38	0655	SCREW, HHC 5/16-18 X 3/4	6	
39	5283	NUT, NYLOC 5/16-18	6	
40	21649	LEVER, THROTTLE	1	
41	10019	NUT, NYLOC 10-32	1	
42	2203	WASHER, FLAT #10	3	
43	2549	SCREW, HHC 1/2-13 X 3	4	
44	20743	WASHER, ISOLATOR SNUBBING	4	
45	20742	ISOLATOR, RB2 RING AND BUSHING	4	
46	21844	MOUNT, ENGINE FRONT RAD 44 YANMAR	1	
47	10176	NUT, NYLOC 1/2-13	4	
48	0202	SCREW, HHC 5/16-18 X 1 ZINC	1	
49	8128	CLAMP, HOSE SUPPORT 5/16	1	
50	21830	MOUNT, ENGINE REAR 44 YANMAR	1	
51	129150-35152	OIL FILTER	1	
52	119802-55800	FUEL FILTER	1	
53	2955	WASHER, LOCK 7/16 ZINC	15	
54	21847	BRACKET, THROTTLE HTX YANMAR	1	
55	0300 A	SCREW, HHC 5/16-18 X 2	1	
56	20912	COVER, 0.75 OD TUBE STAUFF	1	
57	20913	CLAMP, 0.75 OD TUBE STAUFF	1	
58	2623	SCREW, HHC 5/16-18 X 1.25	2	
59	21989	SPACER, 0.75 X 2.0 X 4.5	1	
60	4014	SCREW, 2-3/16 P-K TYPE U-DRIVE	2	
61		NAMEPLATE	1CONTACT MQ PARTS DEPT.
62	H001378	RAIN/AIR CAP	1	
63	P539422	LID, AIR CLEANER	1	

PIVOT ASSY.



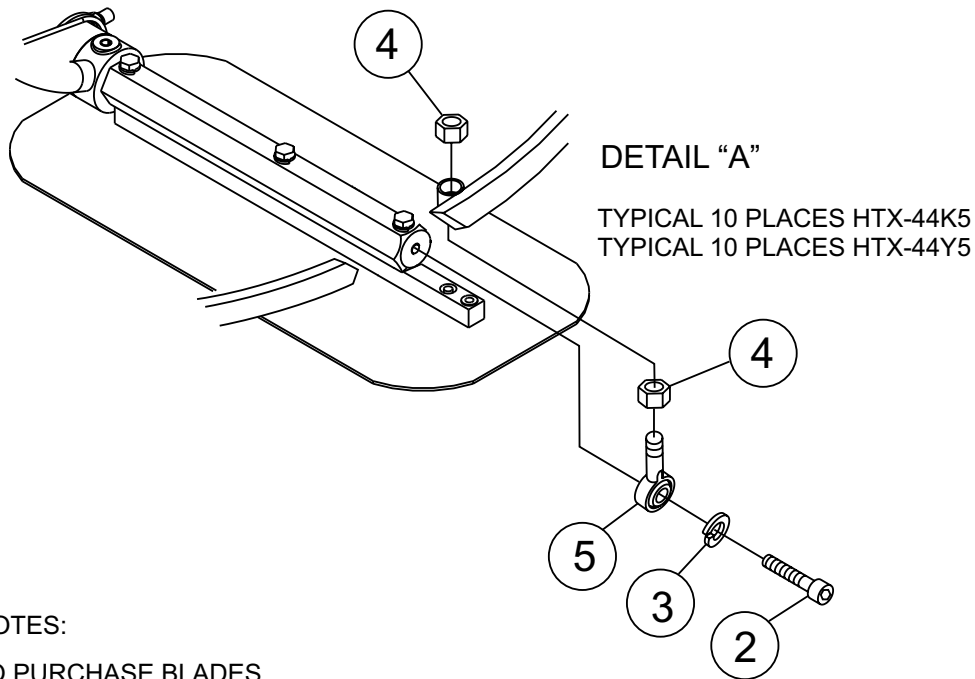
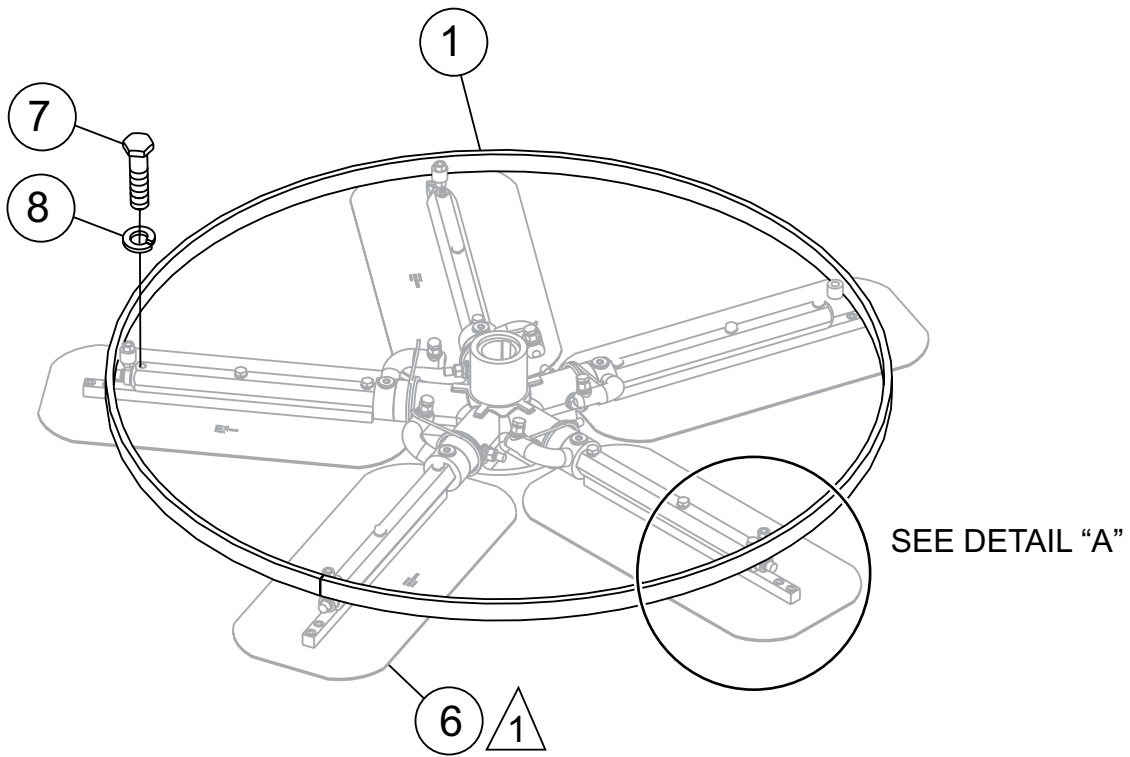
A APPLY MINIMAL AMOUNT OF LPS ANTI-SIEZE GREASE TO THREADS OF SCREW (ITEM 20). HAND START SCREWS. FOLLOWING TIGHTENING SEQUENCE (SEE DIAGRAM AT RIGHT), TORQUE SCREW ASSEMBLY (FIRST PASS) TO A VALUE OF 21 LBS/FT. FOLLOW SAME SEQUENCE FOR FINAL TORQUE OF 41 LBS/FT.



PIVOT ASSY.

<u>NO.</u>	<u>PART NO.</u>	<u>PART NAME</u>	<u>QTY.</u>	<u>REMARKS</u>
1	0166 A	WASHER, LOCK, 3/8 MED	12	
2	0183	PIN, COTTER 1/8 1-1/4	4	
3	0448	WASHER, FLAT 7/16 SAE	4	
4	10136	WASHER, FLAT 3/8 SAE	8	
5	10176	NUT, NYLOC 1/2-13	6	
6#	10221	BUSHING, IGLIDE # TF-1618-16	6	
7	1023	SCREW, HHC 3/8-16 x 1-1/4	12	
8	11555	ROCKER BLOCK	6.....	INCLUDES ITEMS W/#
9	13178	SCREW, HHC 1/2-13 X 2-1/4	6	
10	20630	HOUSING, DRIVE MOTOR W/A, LH	1	
11	20639	TRUNNION/W PITCH AND PIVOT	1	
12	20640	HOUSING, DRIVE MOTOR W/A, RH	1	
13	20641	YOKE, PITCH-MACHINED	2	
14	20643	HOUSING, LOWER MOTOR MACHINED	2	
15	20787	CLEVIS, STEERING CYLINDER	3	
16	21022	PIN, YOKE PIVOT	2	
17	21707	WASHER, FLAT 3/8 NORDLOC	16	
18	2691	SCREW, HHC 1/2-13 X 1	3	
19	5054 A	WASHER, LOCK, 1/2 MED	3	
20	915105	SCREW, HHC 3/8-16 X 1 GRD8	16.....	JAN. 28, 2008 AND BELOW
20	22228	SCREW, HHF 3/8-16 X 1 GRD8.....	16.....	JAN. 29, 2008 AND ABOVE

5-BLADE STABILIZER RING ASSY.



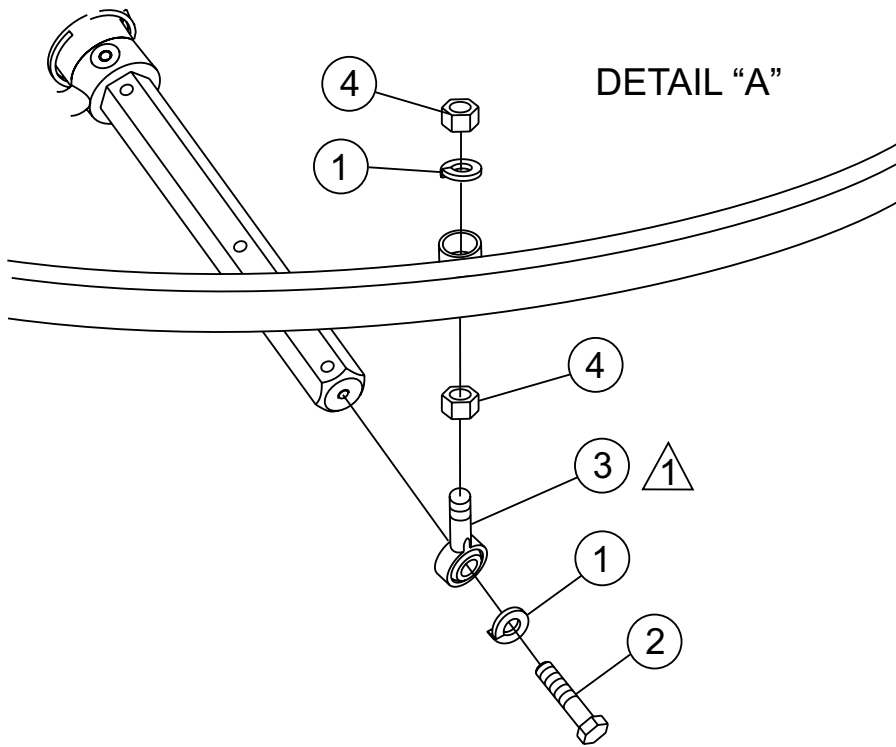
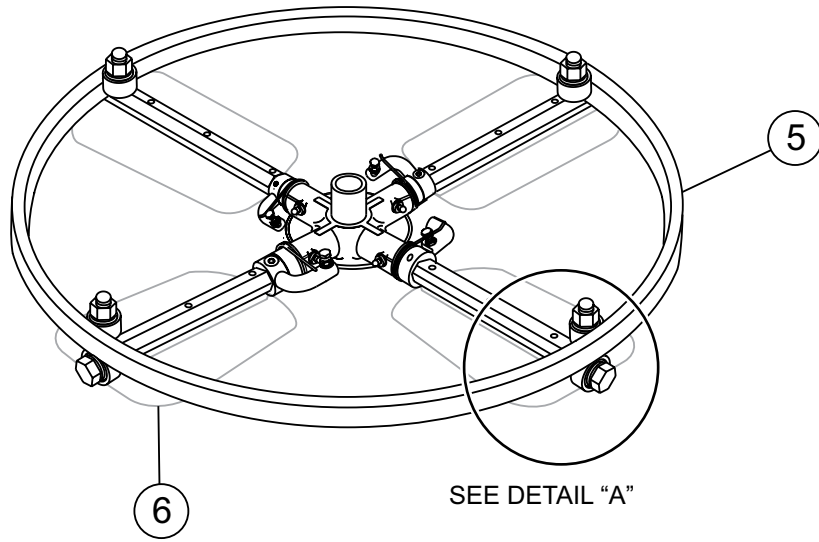
NOTES:

△ 1 TO PURCHASE BLADES
CONTACT UNIT SALES DEPT.

5-BLADE STABILIZER RING ASSY.

<u>NO.</u>	<u>PART NO.</u>	<u>PART NAME</u>	<u>QTY.</u>	<u>REMARKS</u>
1	12095	RING, STABILIZER HTX-44K5	2	
2	1237	SCREW, SHC 5/16-18 X 7/8 NYLOC	10	
3	0161 C	WASHER, LOCK, 5/16" MED	10	
4	6014 C	NUT, HEX FINISH 5/16-24	20	
5	1723	ROD END, 5/16-24 MALE RH	10	
6		BLADE ASSY.	10.....	CONTACT UNIT SALES
7	0105	SCREW, HHCS 5/16-18 X 1-1/2.....	30.....	KUBOTA
7	1207	SCREW, HHC 5/16-18 X 1- 3/4".....	30.....	YANMAR
8	0161 C	WASHER, LOCK 5/16" MED	30	

4-BLADE STABILIZER RING ASSY.

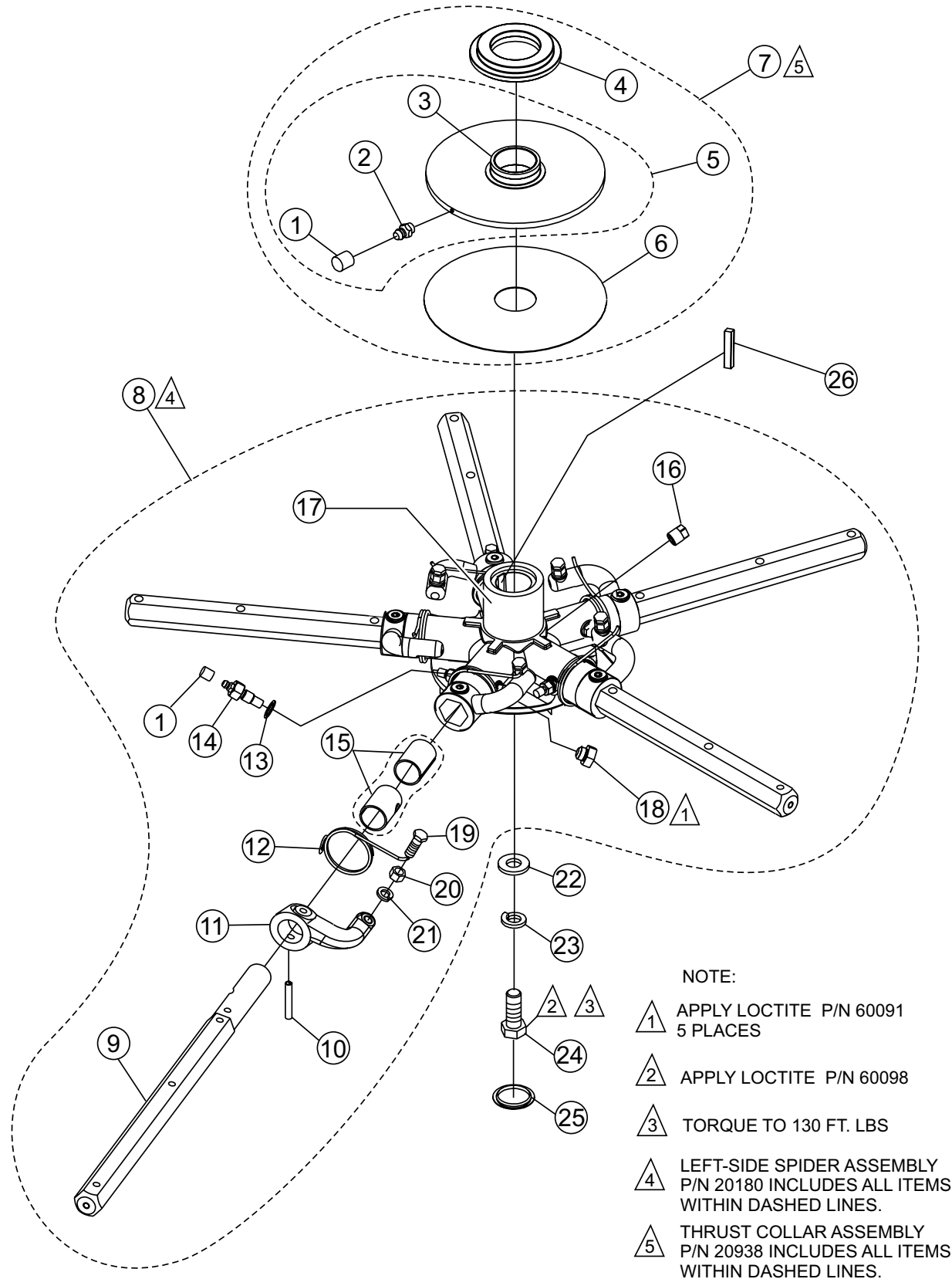


1 APPLY LOCTITE 242 BLUE OR EQUIVALENT.

4-BLADE STABILIZER RING ASSY.

<u>NO.</u>	<u>PART NO.</u>	<u>PART NAME</u>	<u>QTY.</u>	<u>REMARKS</u>
1	0161 C	WASHER, LOCK, 5/16 MED	8	
2	1237	SCREW, SHC 5/16-18 X 7/8 NYLOC	4	
3	1723	ROD END, 5/16-24 MALE RH	4	
4	6014 C	NUT, HEX FINISH 5/16-24	8	
5	9148	RING, STABILIZER HTX-44K5	1	
6		BLADE ASSY.	8.....	CONTACT UNIT SALES

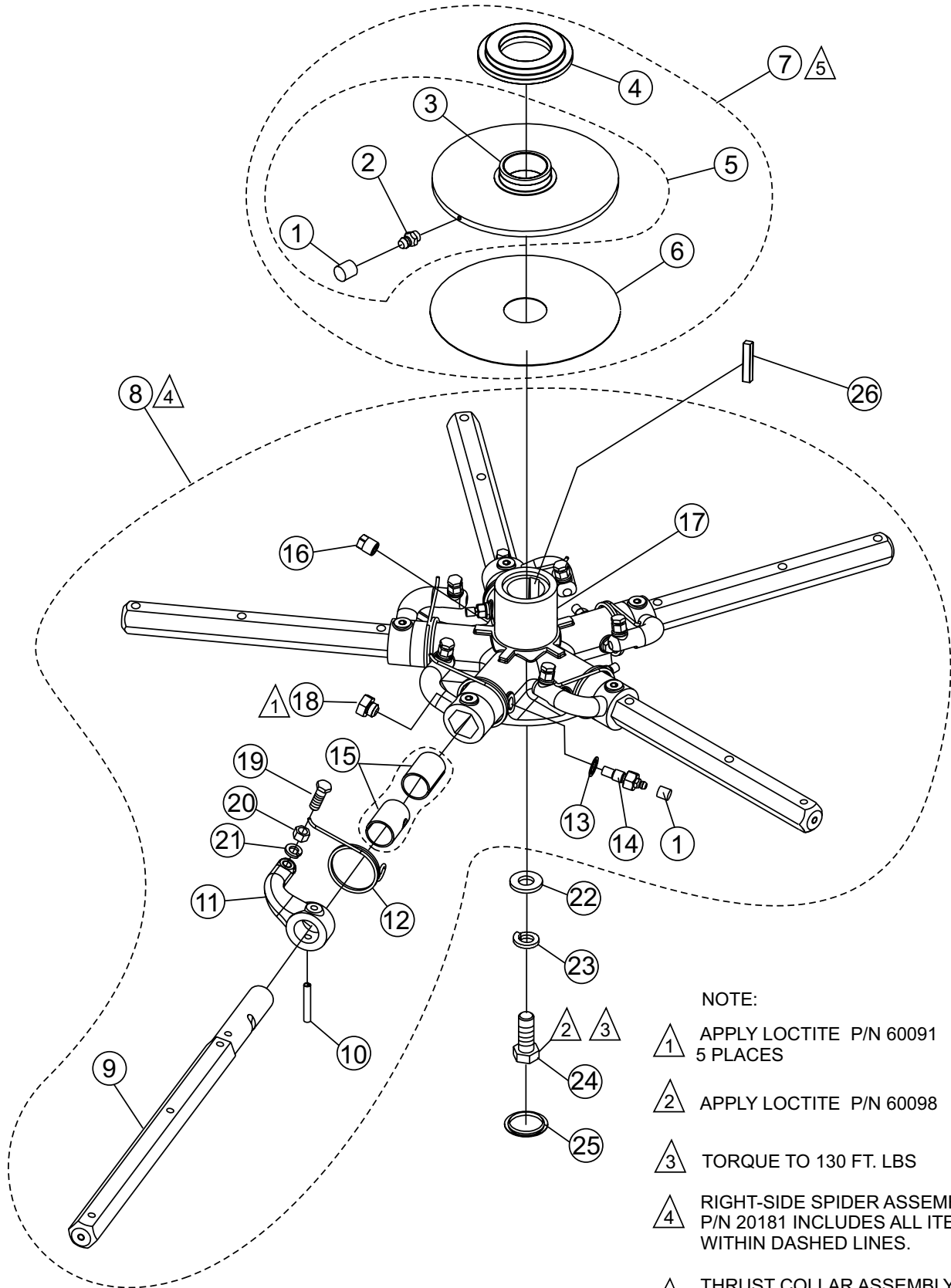
5-BLADE SPIDER ASSY. (TAPERED LH)







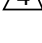
5-BLADE SPIDER ASSY. (TAPERED LH)

<u>NO.</u>	<u>PART NO.</u>	<u>PART NAME</u>	<u>QTY.</u>	<u>REMARKS</u>
1@\$#	1162 A	CAP, GREASE ZERK #2	6	
2@\$	2621	ZERK, GREASE STR 1/4-28	1	
3@\$	12316	BUSHING, THRUST COLLAR	1	
4@	12779	BEARING, THRUST 6017 2RS W/FLANGE	1	
5@	11431	THRUST COLLAR W/BUSHING.....	1	INCLUDES ITEMS W/\$
6@	11419	PLATE, WEAR	1	
7	20938	THRUST COLLAR ASSY.	1	INCLUDES ITEMS W/@
8	20180	SPIDER ASSY., LH 5 BLD. (EATON).....	1	INCLUDES ITEMS W/# S/N 2001367 AND BELOW
8	22844-1	SPIDER ASSY., LH5 BLD. (SAUER-DANFOSS).....	1	INCLUDES ITEMS W/# S/N 2001368 AND ABOVE
9#	2829	ARM, TROWEL, HD/HRT EXT.	5	
10#	9006	PIN, ROLL 5/16 X 2	5	
11#	11903-1	LEVER, TROWEL ARM HYD L.S.	5	
12#	9111	SPRING, LS ARM RETURN HD/HT, SMALL BOSS	5	
13#	1875	WASHER, INT. SHKP. 3/8	5	
14#	1322	SCREW, RETAINING	5	
15#	11039	BUSHING, ARM 2 PIECE	10	
16#	0121 A	FITTING, PLUG 3/8 MP SQ HEAD	1	
17#	30150	SPIDER PLATE 5 BLD. (EATON)	1	INCLUDES ITEMS W/% S/N 2001367 AND BELOW
17#	22846	SPIDER PLATE, 5 BLD. (SAUER-DANFOSS)	1	INCLUDES ITEMS W/% S/N 2001368 AND ABOVE
18#%	11602	SCREW, HHC 3/8-16 x 1/4	5	
19#	0164 B	SCREW, HHC ROUNDED 3/8-16 SPCL GR8	5	
20#	1876	NUT, HEX JAM 3/8-16 CLASS 2B	5	
21#	0166 A	WASHER, LOCK, 3/8 MED	5	
22	20073	RETAINER, SPIDER	1	
23	4388	WASHER, LOCK, 3/4 MED	1	
24	20179	SCREW, HHC 3/4-16 X 2, GR 8	1	
25	20121	PLUG, SPIDER SNAP IN	1	
26	21770	KEY, 3/8 X 2	1	

5-BLADE SPIDER ASSY. (TAPERED RH)



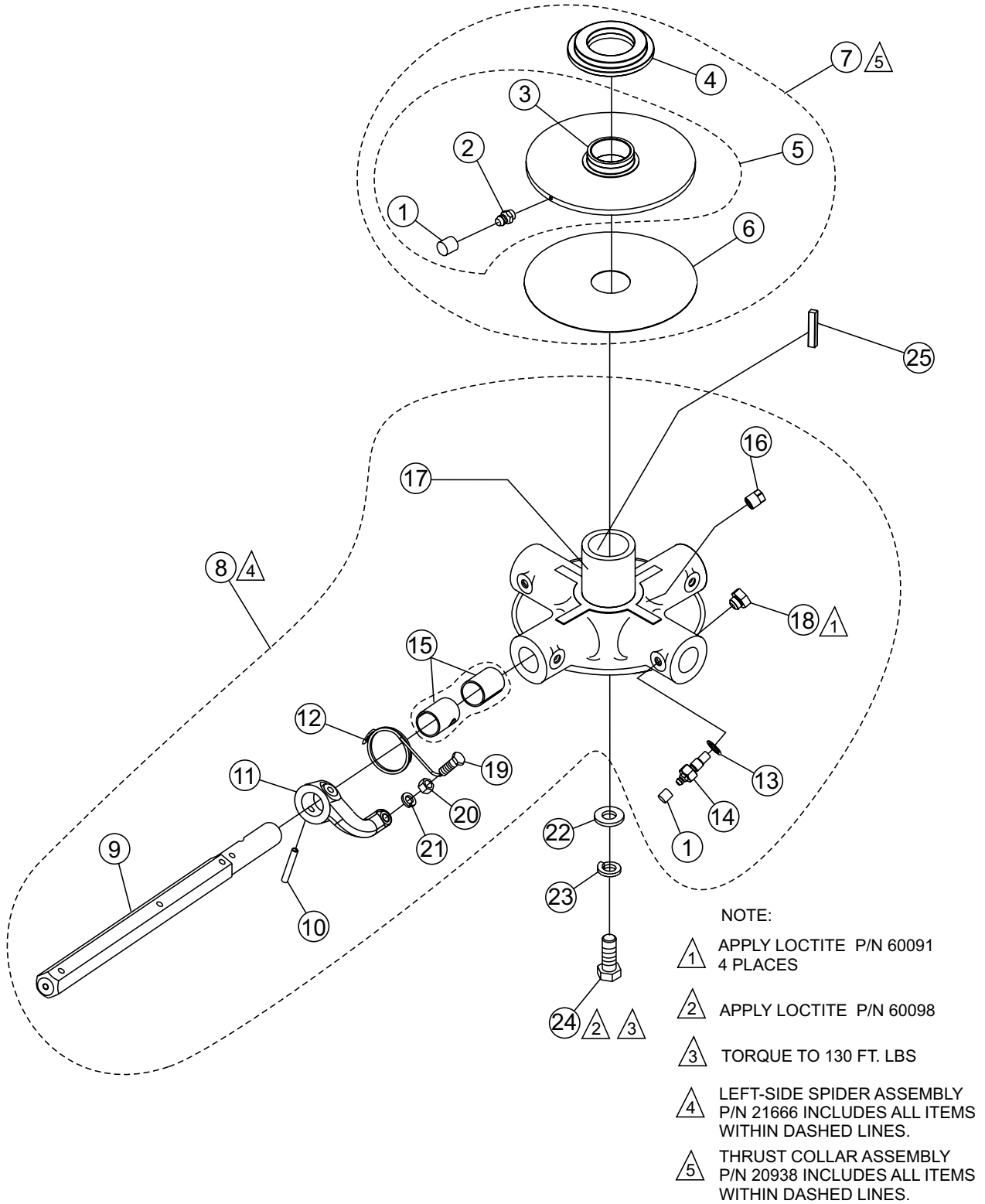
NOTE:

-  APPLY LOCTITE P/N 60091
5 PLACES
-  APPLY LOCTITE P/N 60098
-  TORQUE TO 130 FT. LBS
-  RIGHT-SIDE SPIDER ASSEMBLY
P/N 20181 INCLUDES ALL ITEMS
WITHIN DASHED LINES.
-  THRUST COLLAR ASSEMBLY
P/N 20938 INCLUDES ALL ITEMS
WITHIN DASHED LINES.

5-BLADE SPIDER ASSY. (TAPERED RH)

<u>NO.</u>	<u>PART NO.</u>	<u>PART NAME</u>	<u>QTY.</u>	<u>REMARKS</u>
1@\$#	1162 A	CAP, GREASE ZERK #2	6	
2@\$	2621	ZERK, GREASE STR 1/4-28	1	
3@\$	20426	BUSHING, THRUST COLLAR	1	
4@	12779	BEARING, THRUST 6017 2RS W/FLANGE	1	
5@	11431	THRUST COLLAR W/BUSHING.....	1.....	INCLUDES ITEMS W/\$
6@	11419	PLATE, WEAR	1	
7	20938	THRUST COLLAR ASSY.	1.....	INCLUDES ITEMS W/@
8	20181	SPIDER ASSY., RH 5 BLD. (EATON)	1.....	INCLUDES ITEMS W/# S/N 2001367 AND BELOW
8	22845-1	SPIDER ASSY., RH 5 BLD. (SAUER-DANFOSS)	1.....	INCLUDES ITEMS W/# S/N 2001368 AND ABOVE
9#	2829	ARM, TROWEL, HD/HRT EXT.	5	
10#	9006	PIN, ROLL 5/16 X 2	5	
11#	11904-1	LEVER, TROWEL ARM HYD R.S.	5	
12#	2143	SPRING, RSARM RETURN HD/HT, SMALL BOSS	5	
13#	1875	WASHER, INT. SHKP. 3/8	5	
14#	1322	SCREW, RETAINING	5	
15#	11039	BUSHING, ARM 2 PIECE	10	
16#	0121 A	FITTING, PLUG 3/8 MP SQ HEAD	1	
17#	30150	SPIDER PLATE 5 BLD. (EATON)	1.....	INCLUDES ITEMS W/% S/N 2001367 AND BELOW
17#	22846	SPIDER PLATE, 5 BLD. (SAUER-DANFOSS)	1.....	INCLUDES ITEMS W/% S/N 2001368 AND ABOVE
18#%	11602	SCREW, HHC 3/8-16 x 1/4	5	
19#	0164 B	SCREW, HHC ROUNDED 3/8-16 SPCL GR8	5	
20#	1876	NUT, HEX JAM 3/8-16 CLASS 2B	5	
21#	0166 A	WASHER, LOCK, 3/8 MED	5	
22	20073	RETAINER, SPIDER	1	
23	4388	WASHER, LOCK, 3/4 MED	1	
24	20179	SCREW, HHC 3/4-16 X 2, GR 8	1	
25	20121	PLUG, SPIDER SNAP IN	1	
26	12687	KEY, 3/8 X 2	1	

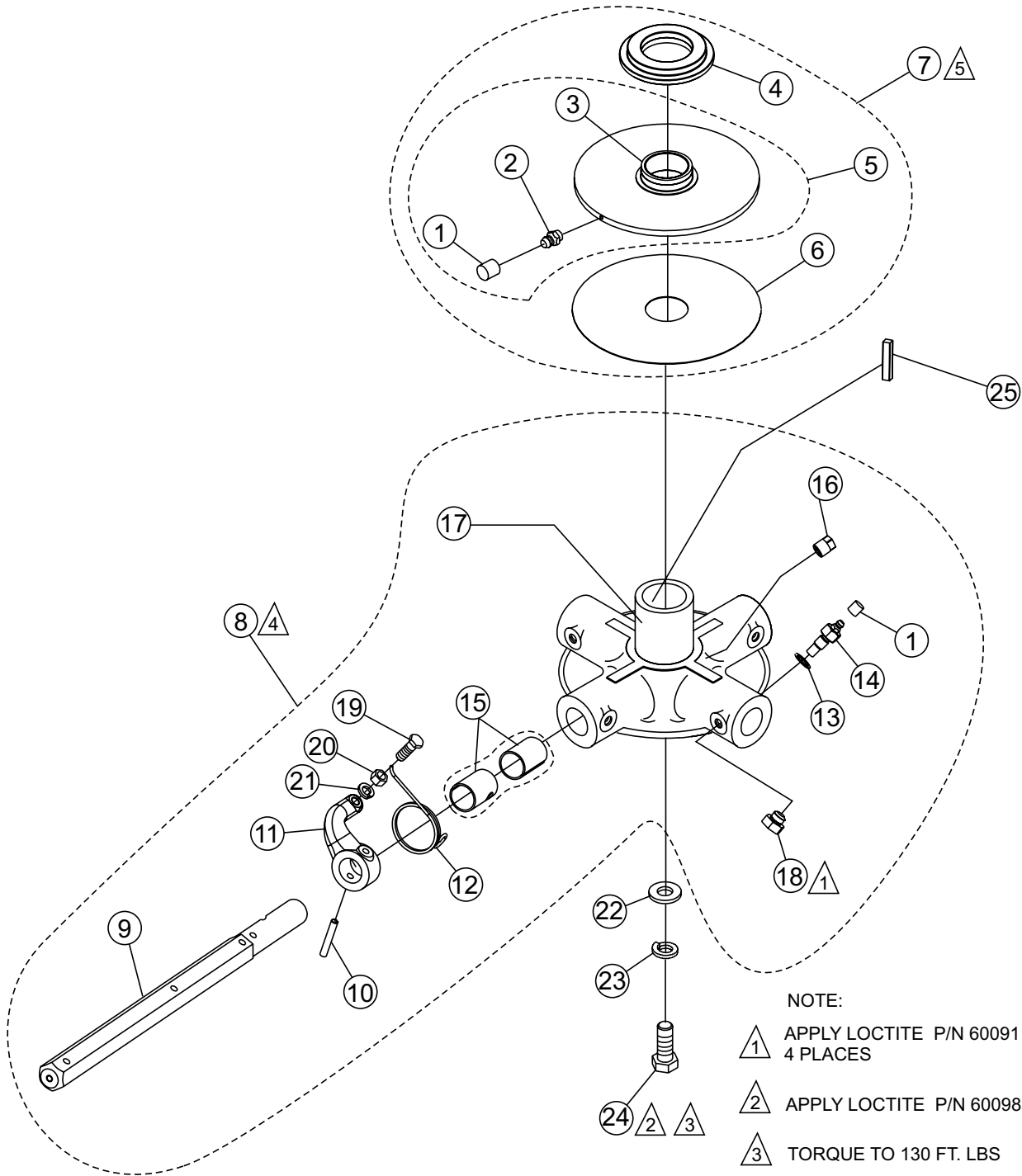
4-BLADE SPIDER ASSY. (TAPERED LH)



4-BLADE SPIDER ASSY. (TAPERED LH)

<u>NO.</u>	<u>PART NO.</u>	<u>PART NAME</u>	<u>QTY.</u>	<u>REMARKS</u>
1@\$#	1162 A	CAP, GREASE ZERK #2	5	
2@\$	2621	ZERK, GREASE STR 1/4-28	1	
3@\$	20426	BUSHING, THRUST COLLAR	1	
4@	12779	BEARING, THRUST 6017 2RS W/FLANGE	1	
5@	11431	THRUST COLLAR W/BUSHING.....	1	INCLUDES ITEMS W/\$
6@	11419	PLATE, WEAR	1	
7	20938	THRUST COLLAR ASSY.	1	INCLUDES ITEMS W/@
8	21666	SPIDER ASSY., LH 4 BLD	1	INCLUDES ITEMS W/#
9#	2829	ARM, TROWEL, HD/HRT EXT.	4	
10#	9006	PIN, ROLL 5/16 X 2	4	
11#	11903	LEVER, TROWEL ARM HYD L.S.	4	
12#	9111	SPRING, LS ARM RETURN HD/HT	4	
13#	1875	WASHER, INT. SHKP. 3/8	4	
14#	1322	SCREW, RETAINING	4	
15#	11039	BUSHING, ARM 2 PIECE	8	
16#	0121 A	FITTING, PLUG 3/8 MP SQ HEAD	1	
17#	21751	SPIDER, PLATE	1	INCLUDES ITEMS W/%
18#%	11602	SCREW, HHC 3/8-16 X 1/4	4	
19#	0164 B	SCREW, HHC ROUNDED 3/8-16 SPCL GR8	4	
20#	1876	NUT, HEX JAM 3/8-16 CLASS 2B	4	
21#	0166 A	WASHER, LOCK, 3/8 MED	4	
22	20073	RETAINER, SPIDER	1	
23	4388	WASHER, LOCK, 3/4 MED	1	
24	20179	SCREW, HHC 3/4-16 X 2, GR 8	1	
25	12687	KEY, 3/8 X 2	1	

4-BLADE SPIDER ASSY. (TAPERED RH)



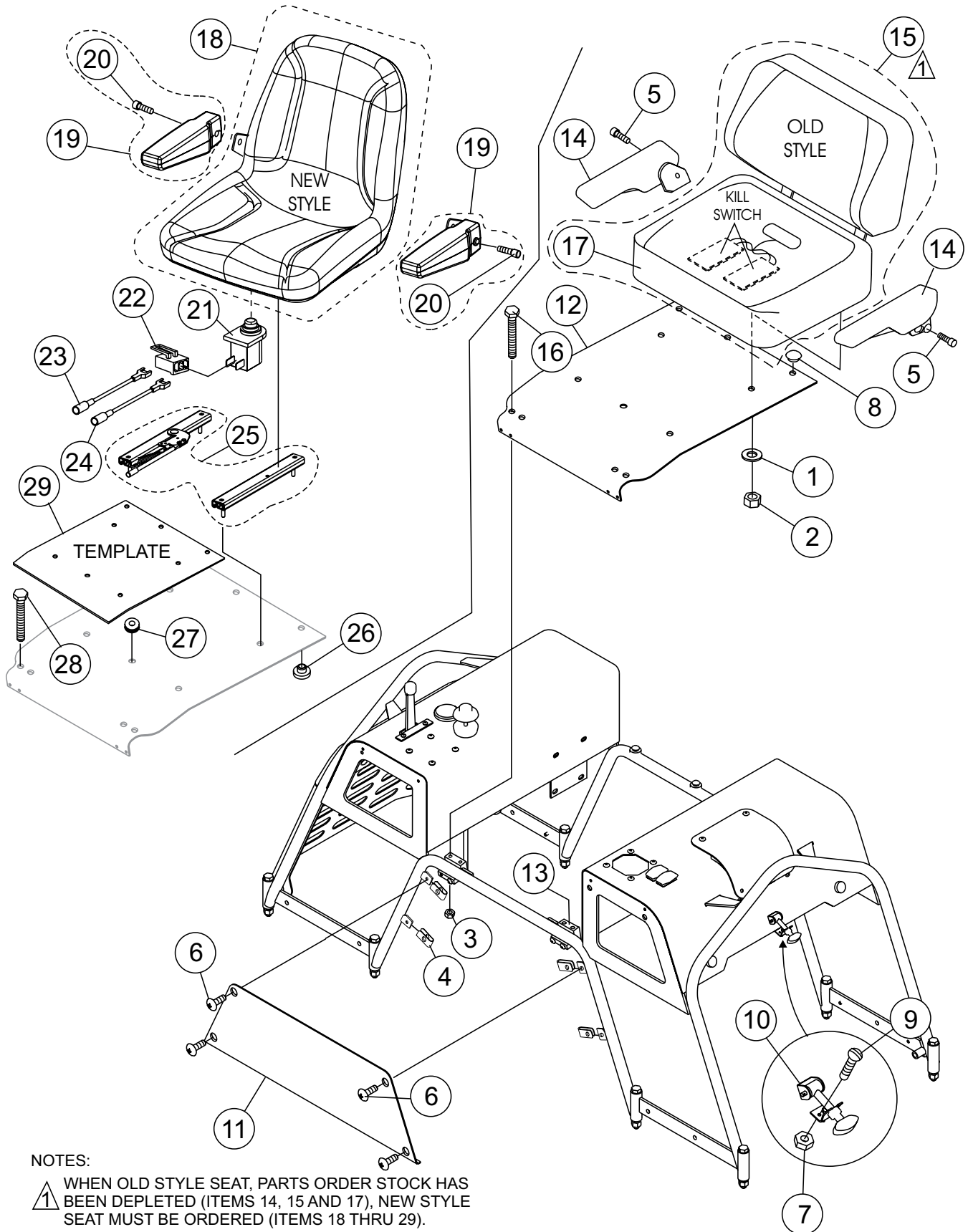
NOTE:

- ▲1 APPLY LOCTITE P/N 60091
4 PLACES
- ▲2 APPLY LOCTITE P/N 60098
- ▲3 TORQUE TO 130 FT. LBS
- ▲4 LEFT-SIDE SPIDER ASSEMBLY
P/N 21667 INCLUDES ALL ITEMS
WITHIN DASHED LINES.
- ▲5 THRUST COLLAR ASSEMBLY
P/N 20938 INCLUDES ALL
ITEMS WITHIN DASHED LINES.

4-BLADE SPIDER ASSY. (TAPERED RH)

<u>NO.</u>	<u>PART NO.</u>	<u>PART NAME</u>	<u>QTY.</u>	<u>REMARKS</u>
1@\$#	1162 A	CAP, GREASE ZERK #2	5	
2@\$	2621	ZERK, GREASE STR 1/4-28	1	
3@\$	20426	BUSHING, THRUST COLLAR	1	
4@	12779	BEARING, THRUST 6017 2RS W/FLANGE	1	
5@	11431	THRUST COLLAR W/BUSHING.....	1	INCLUDES ITEMS W/\$
6@	11419	PLATE, WEAR	1	
7	20938	THRUST COLLAR ASSY.	1	INCLUDES ITEMS W/@
8	21667	SPIDER ASSY., RH 4 BLD.....	1	INCLUDES ITEMS W/#
9#	2829	ARM, TROWEL, HD/HRT EXT.	4	
10#	9006	PIN, ROLL 5/16 X 2	4	
11#	11904	LEVER, TROWEL ARM HYD R.S.	4	
12#	2143	SPRING, RS ARM RETURN HD/HT	4	
13#	1875	WASHER, INT. SHKP. 3/8	4	
14#	1322	SCREW, RETAINING	4	
15#	11039	BUSHING, ARM 2 PIECE	8	
16#	0121 A	FITTING, PLUG 3/8 MP SQ HEAD	1	
17#	21751	SPIDER, PLATE.....	1	INCLUDES ITEMS W/%
18#%	11602	SCREW, HHC 3/8-16 X 1/4	4	
19#	0164 B	SCREW, HHC ROUNDED 3/8-16 SPCL GR8	4	
20#	1876	NUT, HEX JAM 3/8-16 CLASS 2B	4	
21#	0166 A	WASHER, LOCK, 3/8 MED	4	
22	20073	RETAINER, SPIDER	1	
23	4388	WASHER, LOCK, 3/4 MED	1	
24	20179	SCREW, HHC 3/4-16 X 2, GR 8	1	
25	12687	KEY, 3/8 X 2	1	

SEAT FRAME ASSY. (KUBOTA)



NOTES:

⚠ WHEN OLD STYLE SEAT, PARTS ORDER STOCK HAS BEEN DEPLETED (ITEMS 14, 15 AND 17), NEW STYLE SEAT MUST BE ORDERED (ITEMS 18 THRU 29).

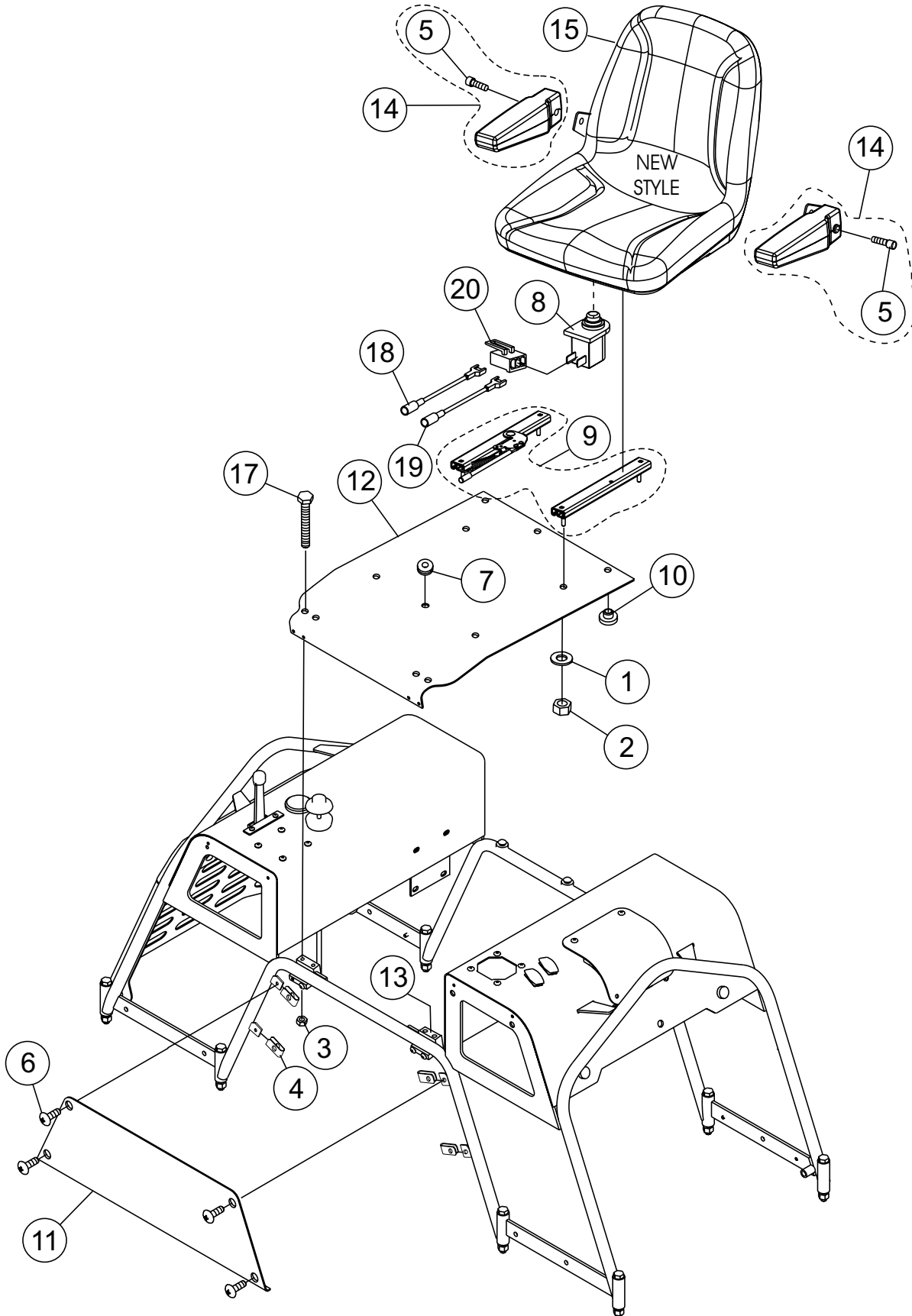
SEAT FRAME ASSY. (KUBOTA)

<u>NO.</u>	<u>PART NO.</u>	<u>PART NAME</u>	<u>QTY.</u>	<u>REMARKS</u>
1	0300 B	WASHER, FLAT 5/16 SAE	4	
2	5283	NUT, NYLOC 5/16-18	4	
3	10024	NUT, NYLOC 1/4-20	4	
4	11534	NUT U-TYPE 1/4-20	4	
5	11821	SCREW, SHC M8-1.25 X 25 GR10.9, NP	2	
6	12287	SCREW, THP 1/4-20 X 3/4 SS	4	
7	13287	NUT, NYLOC #8-32	4	
8	15161	STOP, RUBBER BUMPER	7	
9	15175	SCREW, PAN HEAD 8-32 X 3/4	4	
10	20673	LATCH, RUBBER HOOD	2	
11	20676	PANEL, SEAT FRAME FRONT CENTER.....	1	SAFETY ITEM. SEE NOTE
12	20679	PLATFORM, OPERATOR SEAT	1	
13	20685	BLOCK, OPERATOR SEAT-PIVOT	2	
14	20995	ARM REST ASSY., SET OF 2	1	
15	21420	BASIC SEAT, W/KILL SWITCH (NO ARMS).....	1	SAFETY ITEM. SEE NOTE INCLUDES ITEM W/%
16	26385	SCREW, HHC 1/4-20 X 2.25	4	
17%	21609	SEAT, CUSHION W/KILL SWITCH.....	1	SEE NOTE
18	21860	SEAT, ASSY., NO ARMS.....	1	SAFETY ITEM
19	21868	ARM REST KIT, SET OF 2	1	INCLUDES ITEM W/#
20#	21869	SCREW, 5/16-18 X 5/8 SELF TAP BUTTON	2	
21	21870	SWITCH, KILL, DELTA SYSTEMS 644-62	1	SAFETY ITEM
22	21936	CONNECTOR BODY-2 PIN MICH. SEAT	1	SAFETY ITEM
23	21924	WIRE ASSY., 16 GA RED X 11".....	1	SAFETY ITEM
24	21923	WIRE ASSY., 16 GA VIOLET/ORANGE X 12.50" ..	1	SAFETY ITEM
25	21865	SEAT ADJUSTER KIT, MICHIGAN V-2805	1	
26	21597	BUMPER STEM 1.0"D X .5 X .31	7	
27	19468	GROMMET, MINOR-PNZ 4004	1	
28	20909	SCREW, HHC 1/4-20 X 2.00	4	
29	21916	TEMPLATE, PLATFORM SEAT	1	

NOTICE

WHEN OLD STYLE SEAT, PARTS ORDER STOCK HAS BEEN DEPLETED (ITEMS 14, 15 AND 17) NEW STYLE SEAT MUST BE ORDERED (ITEMS 18 THRU 29).

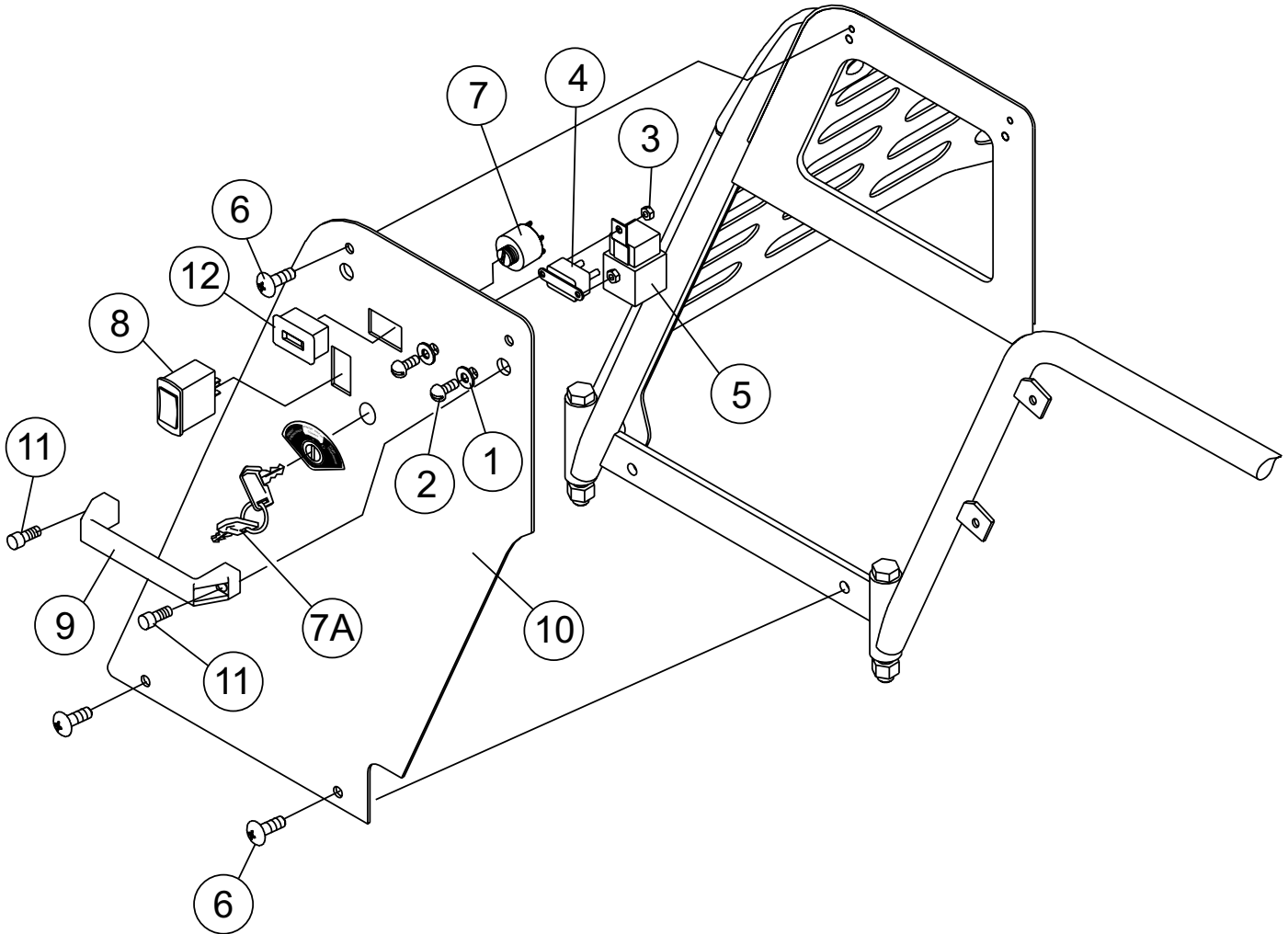
SEAT FRAME ASSY. (YANMAR)



SEAT FRAME ASSY. (YANMAR)

<u>NO.</u>	<u>PART NO.</u>	<u>PART NAME</u>	<u>QTY.</u>	<u>REMARKS</u>
1	0300 B	WASHER, FLAT 5/16 SAE	4	
2	5283	NUT, NYLOC 5/16-18	4	
3	10024	NUT, NYLOC 1/4-20	4	
4	11534	NUT U TYPE 1/4-20	4	
5#	21869	SCREW, 5/16-18 X 5/8 SELF TAP BUTTON	2	
6	12287	SCREW, THP 1/4-20 X 3/4 SS	4	
7	19468	GROMMET, MINOR-PNZ 4004	1	
8	21870	SWITCH, KILL, DELTA SYSTEMS 644-62	1	SAFETY ITEM
9	21865	SEAT ADJUSTER KIT, MICHIGAN V-2805	1	
10	21597	BUMPER STEM 1.0"D X .5 X .31	7	
11	20676	PANEL, SEAT FRAME FRONT CENTER.....	1	SAFETY ITEM
12	20679	PLATFORM, OPERATOR SEAT	1	
13	20685	BLOCK, OPERATOR SEAT-PIVOT	2	
14	21868	ARM REST KIT, SET OF 2	1	INCLUDES ITEM W/#
15	21860	SEAT, ASSY., NO ARMS.....	1	SAFETY ITEM
17	20909	SCREW, HHC 1/4-20 X 2.00	4	
18	21923	WIRE ASSY., 16 GA VIOLET/ORANGE X 12.50" ..	1	SAFETY ITEM
19	21924	WIRE ASSY., 16 GA RED X 11"	1	SAFETY ITEM
20	21936	CONNECTOR BODY- 2 PIN MICH. SEAT.....	1	SAFETY ITEM

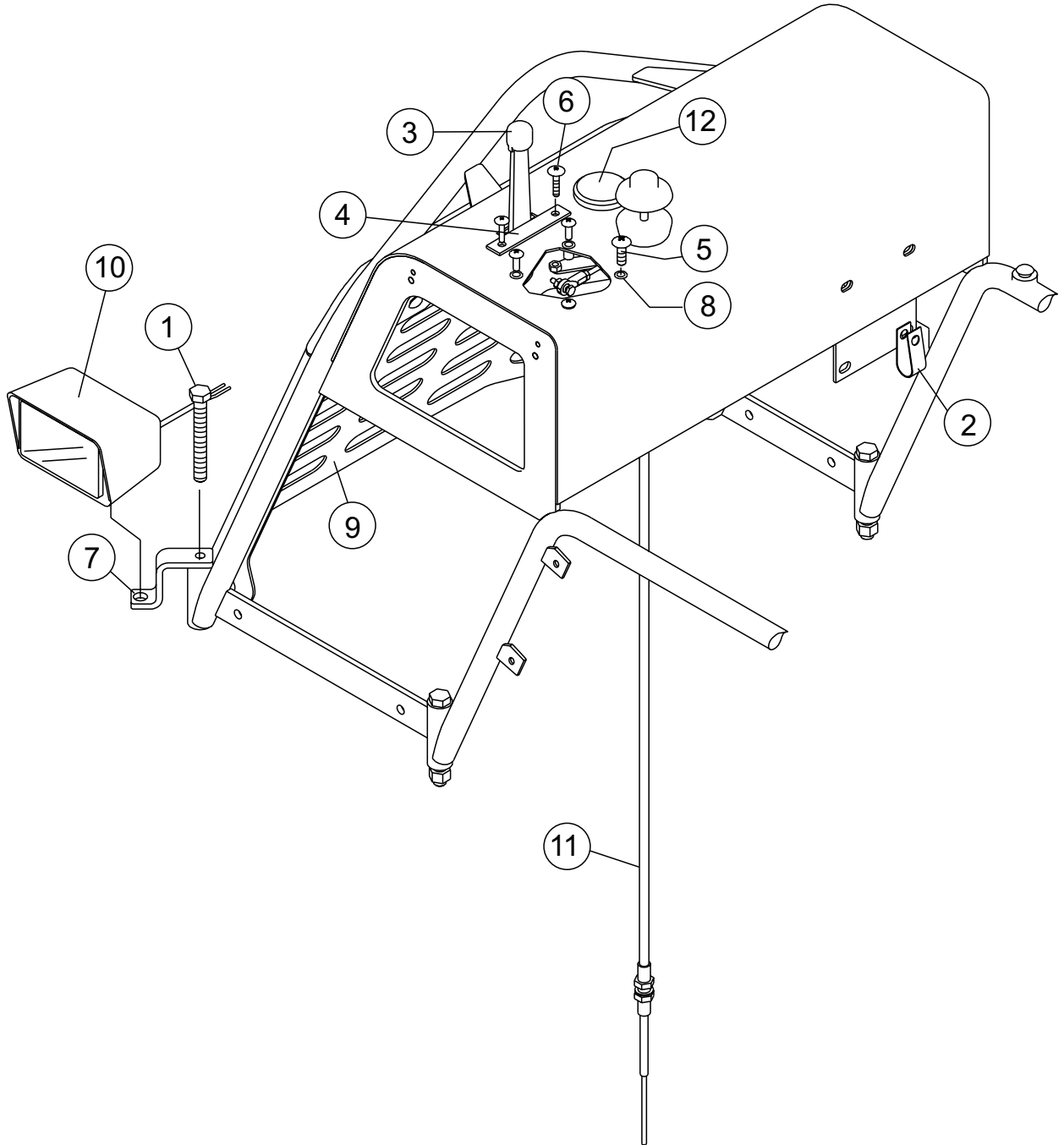
FRONT PANEL ASSY. (RIGHT-SIDE)



FRONT PANEL ASSY. (RIGHT-SIDE)

<u>NO.</u>	<u>PART NO.</u>	<u>PART NAME</u>	<u>QTY.</u>	<u>REMARKS</u>
1	2203	WASHER, FLAT #10 SAE	2	
2	5065 B	SCREW, RHM 10-32 X 1/2	2	
3	10019	NUT, NYLOC 10-32	2	
4	11098	CIRCUIT BRKR, WAYTEK #46540 40 AMP	1	
5	12017	RELAY, KILL	1	SAFETY ITEM
6	12287	SCREW, THP 1/4-20 X 3/4 SS	4	
7	20511	SWITCH, IGNITION	1	KUBOTA
7	1E01363590	SWITCH, IGNITION	1	YANMAR
7A	12940	KEY, IGNITION	2	KUBOTA
7A	12627	KEY, IGNITION	2	YANMAR
8	406000	SWITCH, ROCKER DP-DT	1	
9	20674	HANDLE, GRAB	1	SAFETY ITEM
10	20677	PANEL, SEAT FRAME FRONT RIGHT	1	SAFETY ITEM
11	21575	SCREW, SHC 5/16-18 X 3/4	2	
12	29640	HR METER, SENDEC RECT FLUS MT	1	

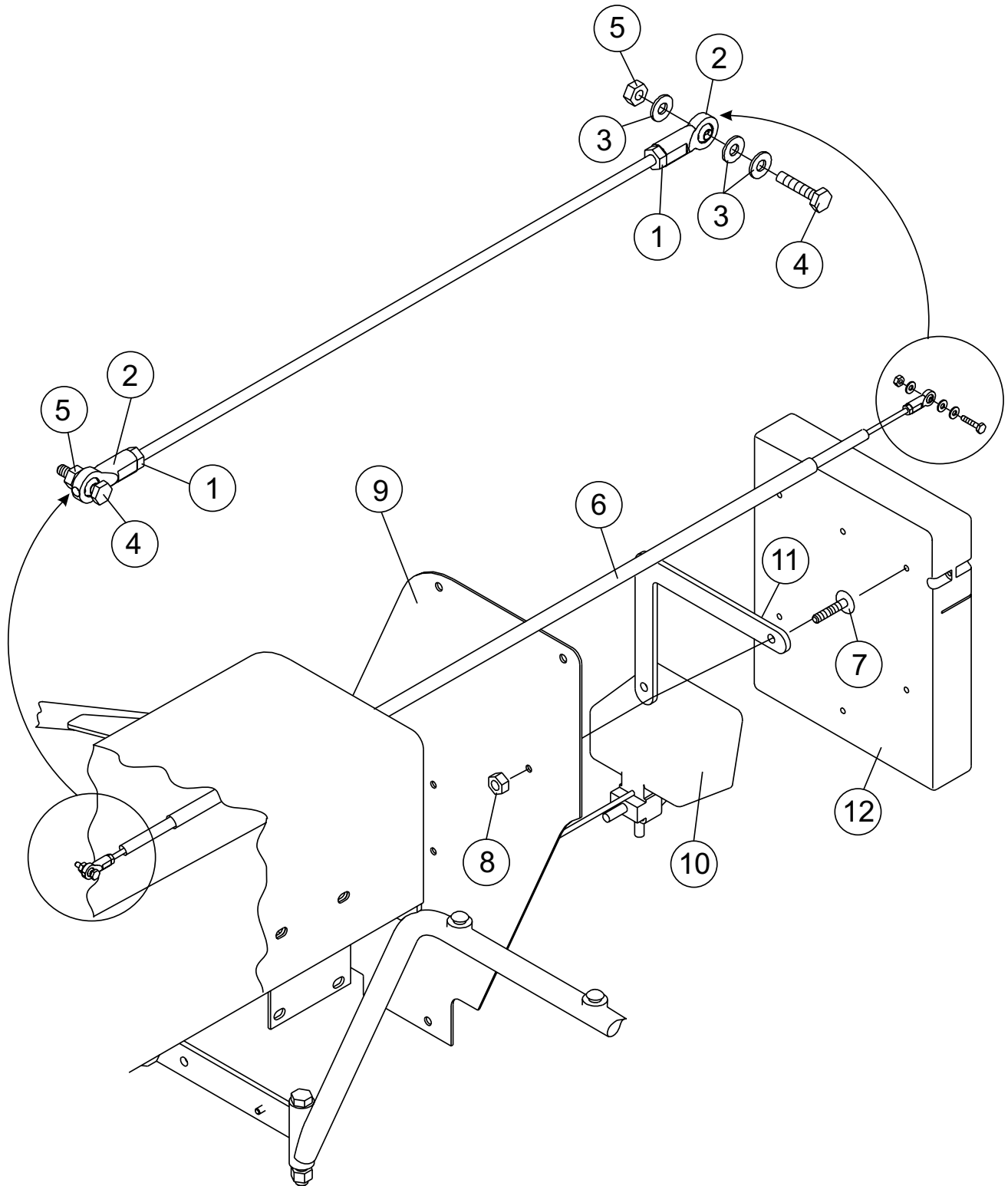
FRAME ASSY. (RIGHT-FRONT)



FRAME ASSY. (RIGHT-FRONT)

<u>NO.</u>	<u>PART NO.</u>	<u>PART NAME</u>	<u>QTY.</u>	<u>REMARKS</u>
1	8087	SCREW, HHC 1/2-13 X 4	4	
2	8128	CLAMP, HOSE SUPPORT, 5/16	1	
3	11379	LEVER, THROTTLE	1	
4	11712	ENGINE SPEED, DECAL	1	
5	12287	SCREW, THP 1/4-20 X 3/4 SS	4	
6	12288	SCREW, THP 1/4-20 X 1	2	
7	12355	BRACKET, LIGHT	2	
8	19266	NUT, BLIND 1/4-20 X 10GA	4	
9	20680	GUARD W/GRILL	1.....	SAFETY ITEM (KUBOTA)
9	21925	GUARD W/GRILL	1.....	SAFETY ITEM (YANMAR)
10	21052	LIGHT, SPEAKER WIDE FLOOD	1.....	SAFETY ITEM
11	21341	CABLE, CTRL THUMB RELEASE 46"	1	
12	406021	GAUGE, ENGINE STATUS	1	

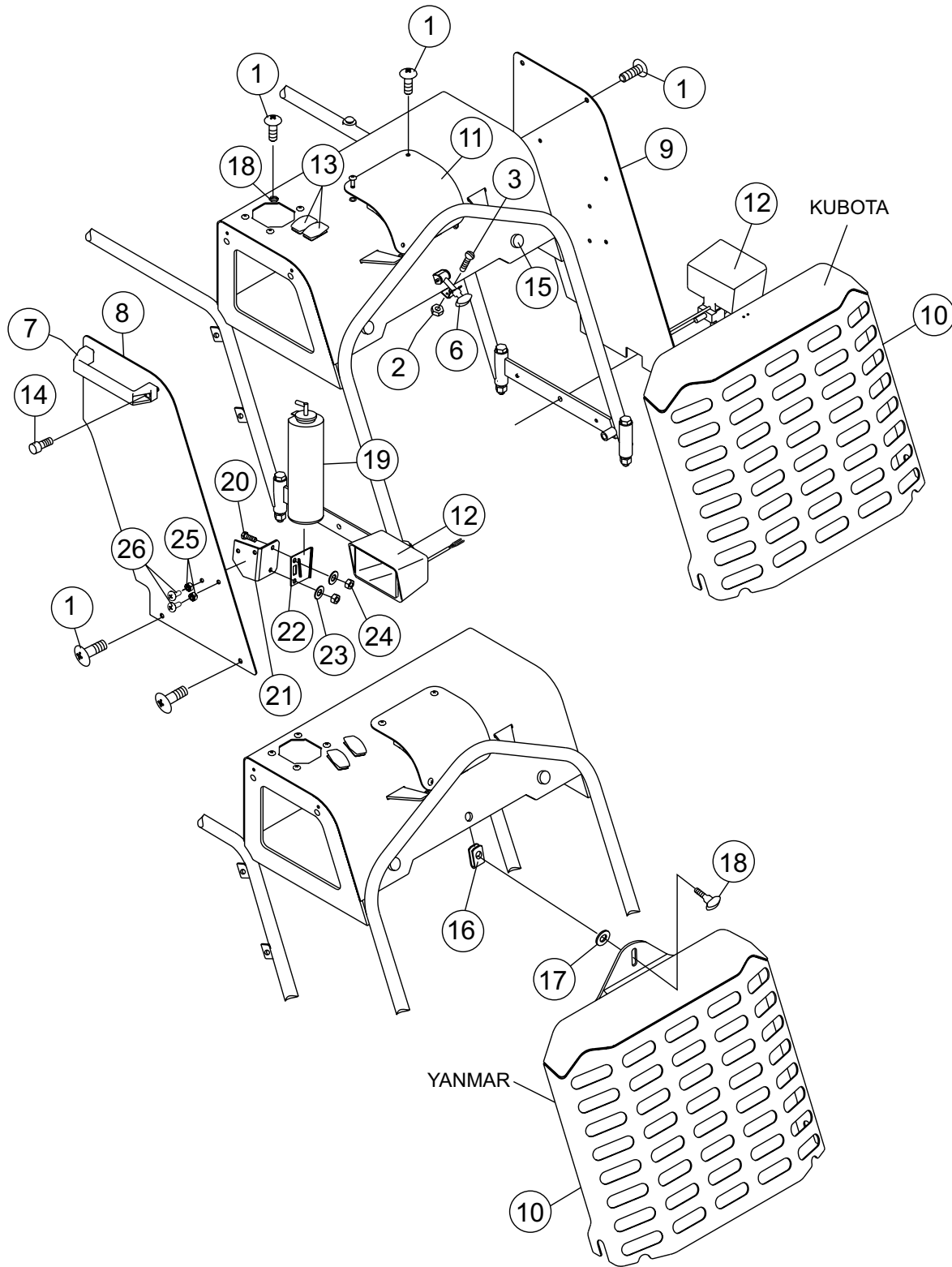
FRAME ASSY. (RIGHT-REAR)



FRAME ASSY. (RIGHT-REAR)

<u>NO.</u>	<u>PART NO.</u>	<u>PART NAME</u>	<u>QTY.</u>	<u>REMARKS</u>
1	0937	NUT, HEX #10-32	2	
2	2153	ROD END, 10-32 FEMALE RH	2	
3	2203	WASHER, FLAT #10 SAE	5	
4	3513	SCREW, HHC 10-32 X 1	2	
5	10019	NUT, NYLOC 10-32	2	
6	10568	CABLE, THROTTLE	1	
7	12287	SCREW, THP 1/4-20 X 1	5	
8	19266	NUT, BLIND 1/4-20 X 10GA	5	
9	20678	PANEL, SEAT FRAME RIGHT-REAR.....	1	SAFETY ITEM
10	21052	LIGHT, SPEAKER WIDE FLOOD	1	
11	21604	SPACER, DOCUMENT BOX	1	
12	29057	DOCUMENT BOX, (CP90007-07)	1	

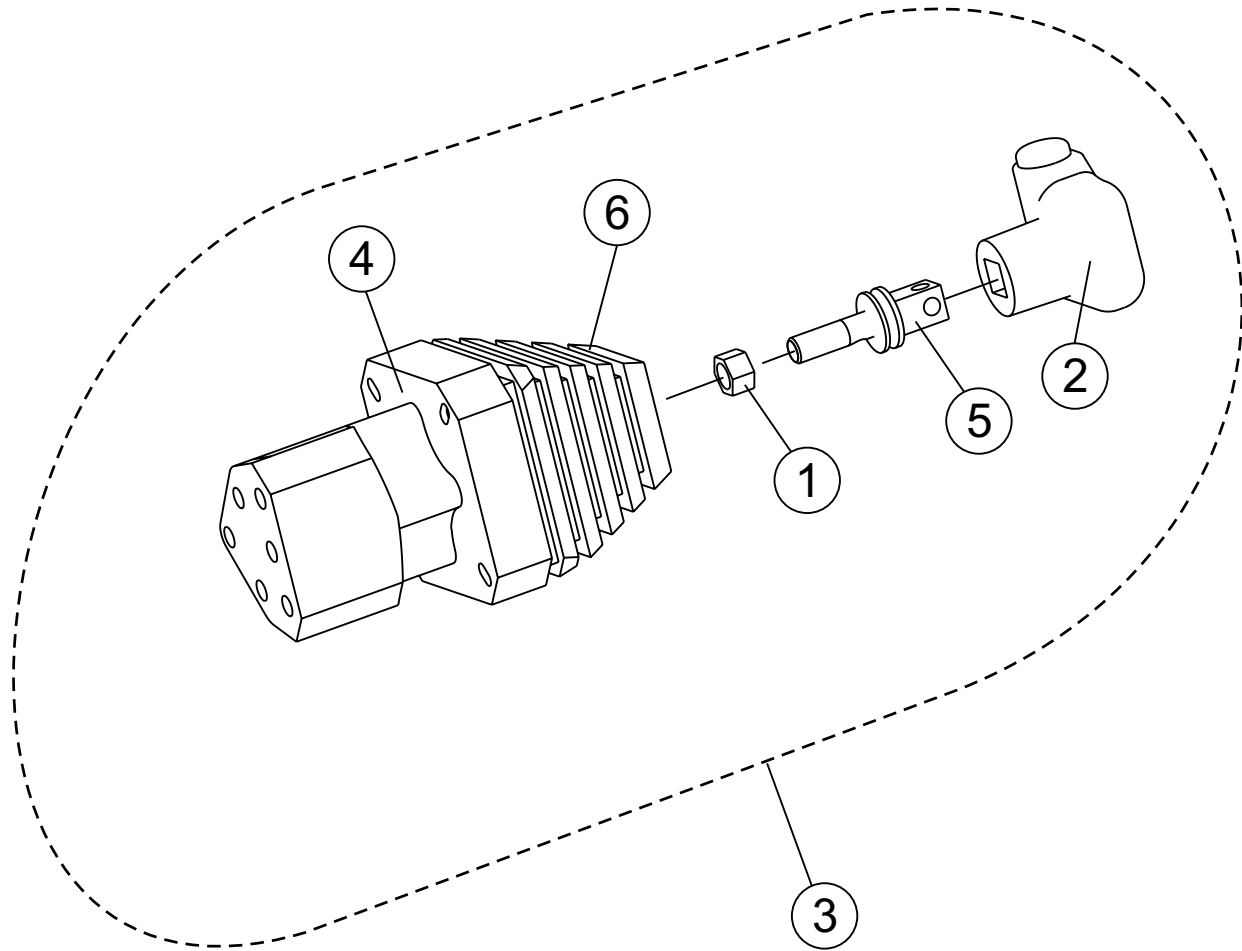
FRAME ASSY. (LEFT-FRONT/REAR)



FRAME ASSY. (LEFT-FRONT/REAR)

<u>NO.</u>	<u>PART NO.</u>	<u>PART NAME</u>	<u>QTY.</u>	<u>REMARKS</u>
1	12287	SCREW, THP 1/4-20 X 3/4 SS	12	
2	13287	NUT, NYLOC #8-32	2	KUBOTA
3	15175	SCREW, PAN HEAD 8-32 X 3/4	2	KUBOTA
4	19266	NUT, BLIND 1/4-20 X 10GA	4	
5	20660	SEAT FRAME W/A	1	
6	20673	LATCH, RUBBER HOOD.....	1	KUBOTA
7	20674	HANDLE, GRAB	1	SAFETY ITEM
8	20675	PANEL, SEAT FRAME FRONT LEFT.....	1	SAFETY ITEM
9	20678	PANEL, SEAT FRAME REAR LEFT	1	SAFETY ITEM
10	20680	GUARD/W, GRILL W/A.....	1	SAFETY ITEM (KUBOTA)
10	21925	GUARD/W, GRILL W/A.....	1	SAFETY ITEM (YANMAR)
11	20693	PANEL, RADIATOR COVER	1	SAFETY ITEM
12	21052	LIGHT, SPEAKER WIDE FLOOD	2	SAFETY ITEM
13	21470	SWITCH, ON-OFF-ON	2	
14	21575	SCREW, SHC 5/16-18 X 3/4	2	
15	21597	BUMPER, STEM 1"DIA X .5"STEMX.31TK	2	
16	21894	CLIP, FAST LEAD	2	YANMAR
17	21893	SCREW, FAST LEAD	2	YANMAR
18	21986	WASHER, FAST LEAD-STAINLESS	2	YANMAR
19	121252-44510	RADIATOR BOTTLE	1	
20	0131 A	SCREW, HHC 1/4-20 X 3/4	4	
21	21947	BRACKET, RADIATOR BOTTLE MOUNT	1	
22	12125644600	BRACKET, RADIATOR BOTTLE	1	
23	0948	WASHER, FLAT 1/4 SAE	4	
24	10024	NUT, NYLOC 1/4-20	6	
25	10024	NUT, NYLOC 1/4-20	6	
26	12287	SCREW, THP 1/4-20 X 3/4 SS	2	

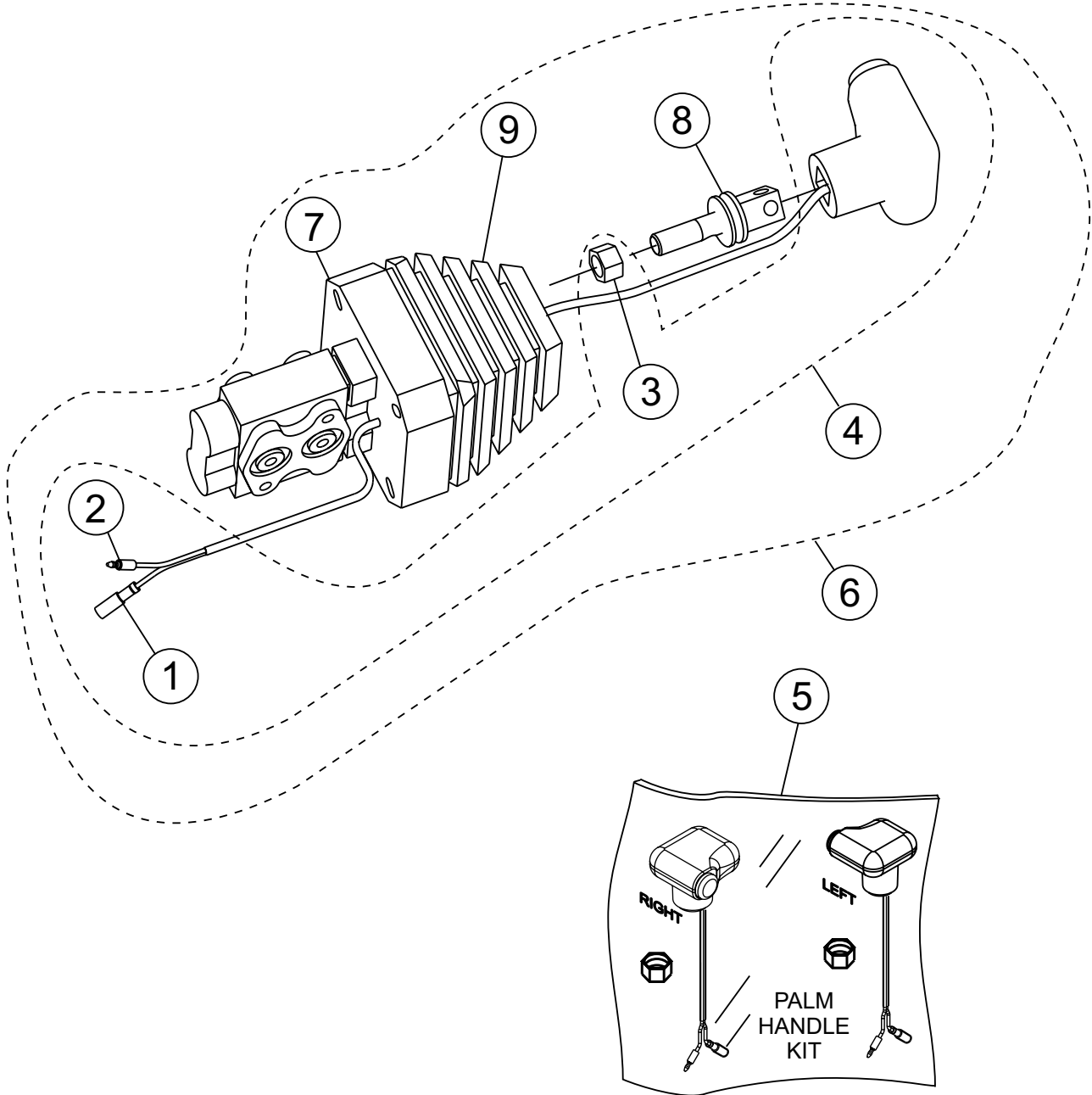
RIGHT-HAND VALVE ASSY.



RIGHT-HAND VALVE ASSY.

<u>NO.</u>	<u>PART NO.</u>	<u>PART NAME</u>	<u>QTY.</u>	<u>REMARKS</u>
1#	16083	NUT, HEX M12 P1.75	1	
2#	20149	PALM HANDLE, RIGHT HAND W/O SWITCH	1	
3	20830	VALVE ASSY., RIGHT HAND STG W/O SWITCH	1	INCLUDES ITEMS W/#
4#	20832	RH STEERING VALVE	1	
5#	20834	ADAPTOR, RH PALM HANDLE	1	
6#	21631	BOOT, STEERING VALVE	1	

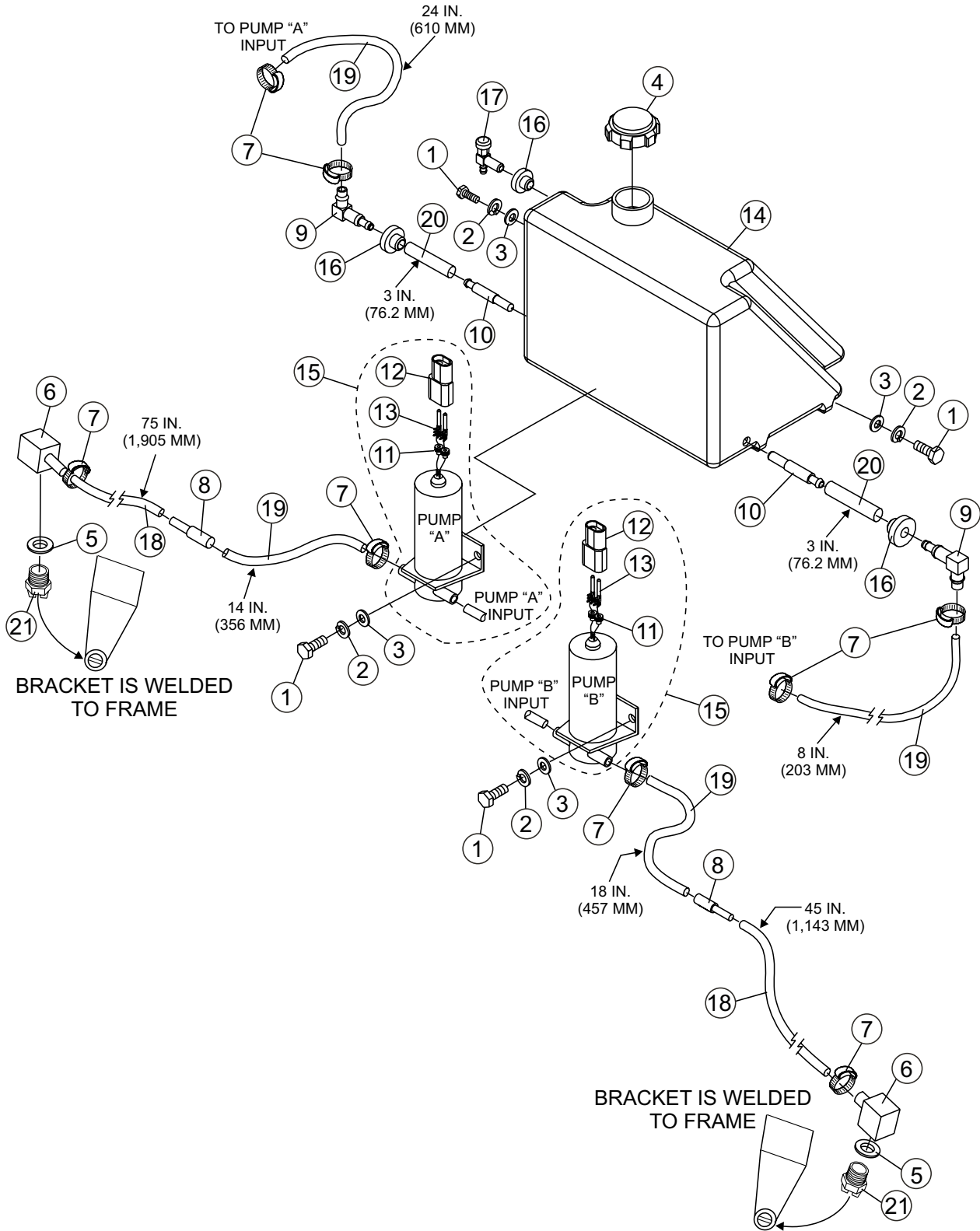
LEFT-HAND VALVE ASSY.



LEFT-HAND VALVE ASSY.

<u>NO.</u>	<u>PART NO.</u>	<u>PART NAME</u>	<u>QTY.</u>	<u>REMARKS</u>
1#%\$	1318	TERMINAL, BULLET, FEMALE, 18-22	1	
2#%\$	4692	TERMINAL, BULLET MALE 14-16	1	
3#%\$	16083	NUT, HEX M12 P1.75	1	
4%\$	20150	PALM HANDLE, W/SWITCH, LEFT.....	1.....	INCLUDES ITEMS W/#
5	20165	PALM HANDLE KIT, L/R HANDLES W/O BOOT...1.....	1.....	INCLUDES ITEMS W/\$
6	20831	VALVE ASSY. W/SWITCH	1.....	INCLUDES ITEMS W/%
7%	20833	VALVE, LH STEERING	1	
8%	21053	ADAPTER, LH PALM HANDLE	1	
9%	21631	BOOT, STEERING VALVE	1	

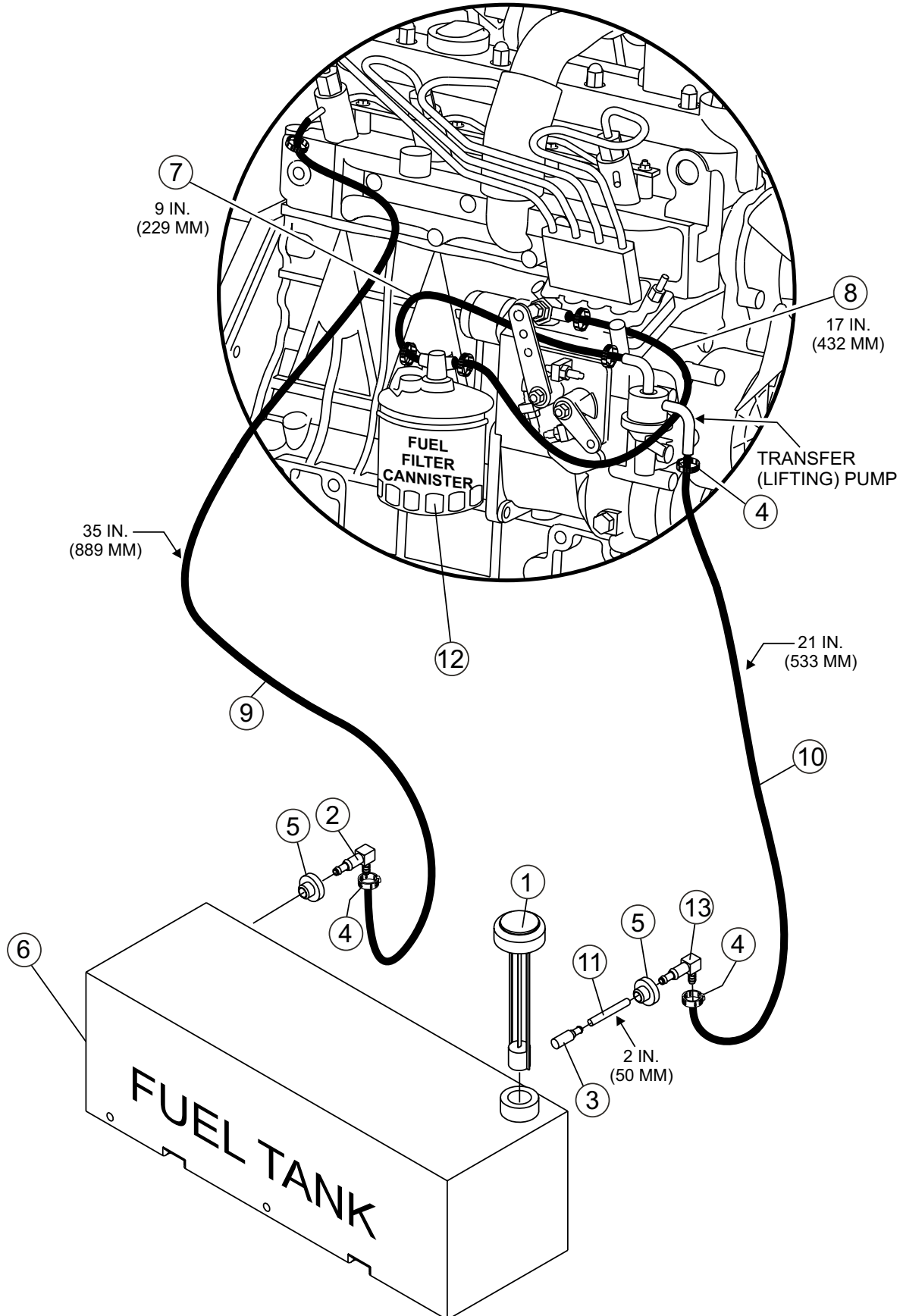
SPRAY ASSY.



SPRAY ASSY.

<u>NO.</u>	<u>PART NO.</u>	<u>PART NAME</u>	<u>QTY.</u>	<u>REMARKS</u>
1	0131 A	SCREW, HHC 1/4-20 X 3/4	3	
2	0181 B	WASHER, LOCK, 1/4 MED	3	
3	0948	WASHER, FLAT, 1/4 SAE	30	
4	2108	CAP, SPRAY TANK	1	
5	2898	WASHER, ROUNDED NEOPRENE 1 X 1/2	2	
6	2912	FITTING, 90 DEGREE	2	
7	2918	CLAMP, HOSE .475-.536 ID	8	
8	10022	FITTING, PLASTIC-TEE 1/4 BARB	2	
9	12008	FITTING, 90 FUEL	2	
10	12009	SCREEN, FILTER DAPCO 11604	2	
11#	12171	SEAL, WPACK 16-18 (GRN)	4	
12#	12176	CONNECTOR, WPACK 2 PIN SHROUD	2	
13#	12179	TERMINAL, WPACK MALE 14-16 GA	4	
14	12403	FUEL TANK	1	
15	12548	PUMP, SPRAY	2.....	INCLUDES ITEMS W/#
16	19633	BUSHING, RUBBER FUEL	5	
17	19661	VALVE, DRAIN (DAPCO P/N 11478)	1	
18	60001	HOSE, .25 ID X .375 OD TYGON.....	10.....	SOLD BY FOOT
19	60002	HOSE, .375 ID X .5 OD TYGON.....	5.3.....	SOLD BY FOOT
20	60058	HOSE, 1/4 X 3/8 PVC FUEL YELLOW	0.5.....	SOLD BY FOOT
21	392292	NOZZEL, SPRAY	2	

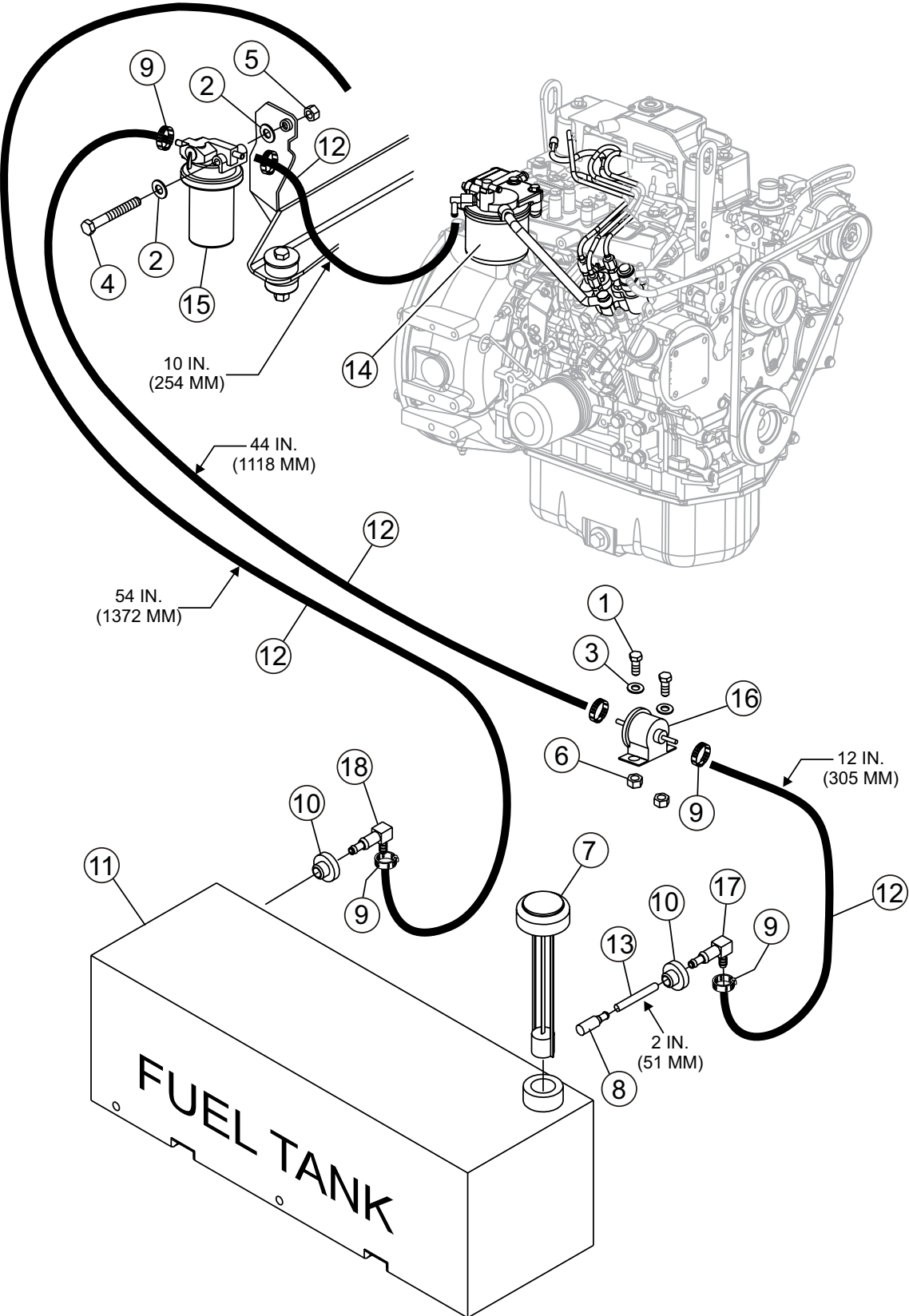
FUEL TANK ASSY. (KUBOTA)



FUEL TANK ASSY. (KUBOTA)

<u>NO.</u>	<u>PART NO.</u>	<u>PART NAME</u>	<u>QTY.</u>	<u>REMARKS</u>
1	11418	CAP, W/GAUGE "FUEL" (10.5")	1	
2	12006	FITTING, 90 03BARB-4BARB FUEL	1	
3	12010	SCREEN, FUEL (DAPCO 11656)	1	
4	19473	CLAMP, WORM HOSE #4	4	
5	19633	BUSHING, RUBBER FUEL	5	
6	21576	TANK, 12 GALLON FUEL PE	1	
7	60013	HOSE, 0.25 ID RUBBER FUEL 9 IN. (229 MM).....	1.....	SOLD BY FOOT
8	60013	HOSE, 0.25 ID RUBBER FUEL 17 IN. (432 MM).....	2.....	SOLD BY FOOT
9	60013	HOSE, 0.25 ID RUBBER FUEL 35 IN. (889 MM).....	3.....	SOLD BY FOOT
10	60028	HOSE, .312 ID RUBBER FUEL 21 IN. (533 MM).....	2.....	SOLD BY FOOT
11	60058	HOSE, 1/4 X 3/8 PVC FUEL YELLOW 2 IN. (50.8 MM).....	1.....	SOLD BY FOOT
12	7000043081	FILTER, FUEL	1	
13	W12023	FITTING, 90 05BARB-4BARB FUEL	1	

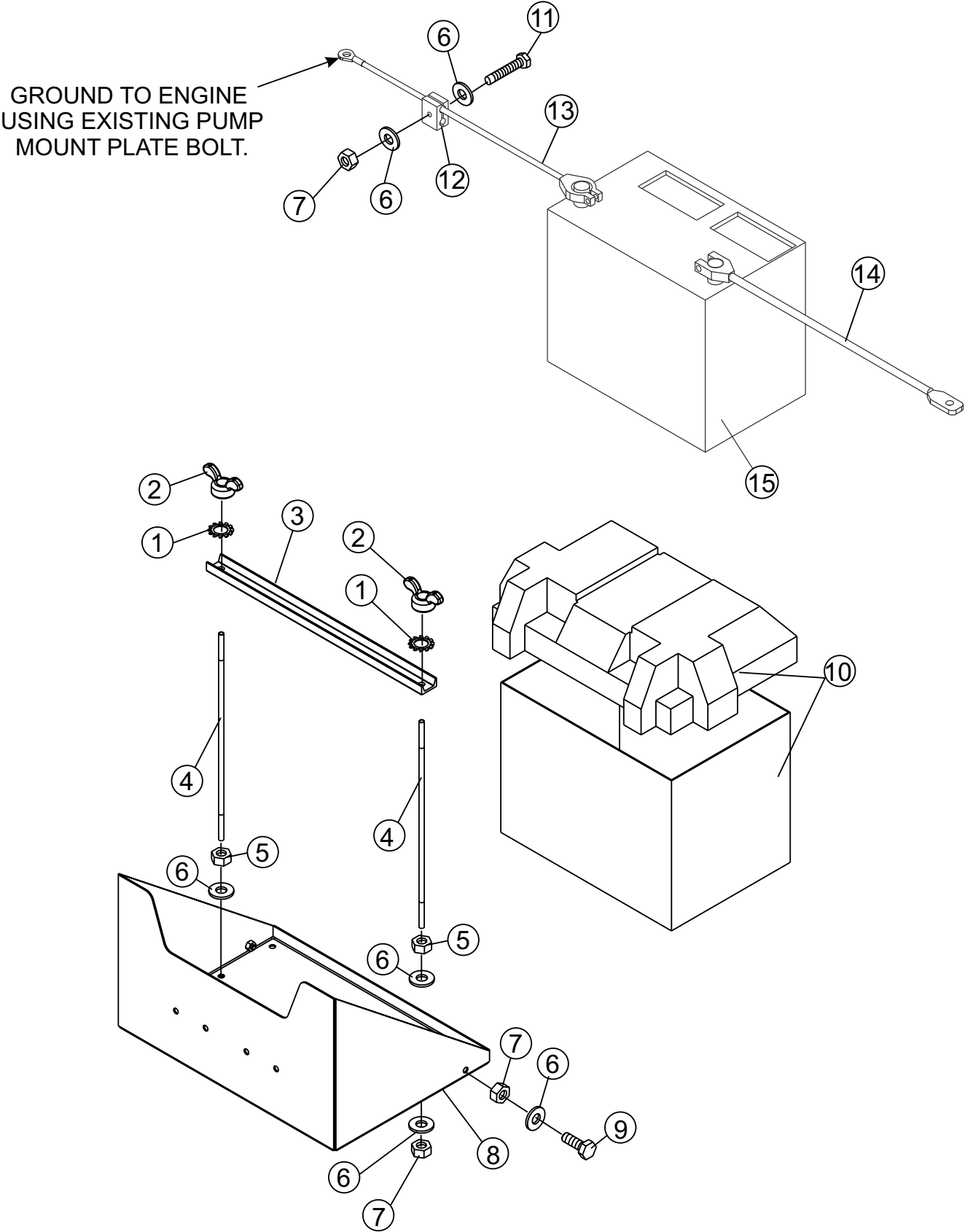
FUEL TANK ASSY. (YANMAR)



FUEL TANK ASSY. (YANMAR)

<u>NO.</u>	<u>PART NO.</u>	<u>PART NAME</u>	<u>QTY.</u>	<u>REMARKS</u>
1	0131 A	SCREW, HHC 1/4-20 X 3/4	4	
2	0300 B	WASHER, FLAT SAE 5/16	2	
3	0948	WASHER, FLAT SAE 1/4	2	
4	1404	SCREW, HHC 5/16-18 X 3-1/4 #5	1	
5	5283	NUT, NYLOC 5/16-18	1	
6	10024	NUT, NYLOC 1/4-20	2	
7	11418	CAP, W/GAUGE "FUEL" (10.5")	1	
8	12010	SCREEN, FUEL (DAPCO 11656)	1	
9	19473	CLAMP, WORM HOSE #4	4	
10	19633	BUSHING, RUBBER FUEL	5	
11	21576	TANK, 12 GALLON FUEL PE	1	
12	60028	HOSE, 5/16 ID RUBBER FUEL 10 IN. (254 MM).....	1.....	SOLD BY FOOT
12	60028	HOSE, 5/16 ID RUBBER FUEL 12 IN. (305 MM).....	2.....	SOLD BY FOOT
12	60028	HOSE, 5/16 ID RUBBER FUEL 44 IN. (1118 MM).....	3.....	SOLD BY FOOT
12	60028	HOSE, 5/16 ID RUBBER FUEL 54 IN. (1372 MM).....	3.....	SOLD BY FOOT
13	60058	HOSE, 1/4 X 3/8 PVC FUEL YELLOW 2 IN. (50.8 MM).....	1.....	SOLD BY FOOT
14	119802-55800-12	FILTER, FUEL	1	
15	21743	FUEL/WATER SEPARATOR (SEDIMENT BULB)	1	
16	21741	PUMP, FUEL	1	
17	W12023	FITTING, 90 05BARB-4BARB FUEL	1	
18	12006	FITTING, 90 03BARB-4BARB FUEL	1	

BATTERY ASSY.



BATTERY ASSY.

<u>NO.</u>	<u>PART NO.</u>	<u>PART NAME</u>	<u>QTY.</u>	<u>REMARKS</u>
1	10031	WASHER, EXT SHKP 1/4	2	
2	2509	NUT, WING 1/4-20 PLATED	2	
3	11692	BRACKET, BATTERY BOX	1	
4	11693	BOLT, BATTERY BRACKET	2	
5	0949	NUT, HEX FINISH 1/4-20	2	
6	0948	WASHER, FLAT, 1/4 SAE	8	
7	10024	NUT, NYLOC 1/4-20	5	
8	20696	BATTERY BOX W/A	1	
9	0131 A	SCREW, HHC 1/4-20 X 3/4	2	
10	10318	BATTERY BOX, GROUP 24	1.....	SAFETY ITEM
11	5277	SCREW, HHC 1/4-20 X 1-1/2	1	
12	12273	CLAMP, 3/8 TUBE	1	
13	12278	CABLE, BAT NEG 4GA32x3/8R	1	
14	10314	CABLE, POS BATTERY RED 31"	1	
15		BATTERY 12V GR22	1.....	USE INTERSTATE P/N 22F-60

PARTS MANUAL

HERE'S HOW TO GET HELP

PLEASE HAVE THE MODEL AND SERIAL
NUMBER ON-HAND WHEN CALLING

United States

Multiquip Inc.

(310) 537- 3700
6141 Katella Avenue Suite 200
Cypress, CA 90630
E-MAIL: mq@multiquip.com
WEBSITE: www.multiquip.com

Canada

Multiquip

(450) 625-2244
4110 Industriel Boul.
Laval, Quebec, Canada H7L 6V3
E-MAIL: infocanada@multiquip.com

United Kingdom

Multiquip (UK) Limited Head Office

0161 339 2223
Unit 2, Northpoint Industrial Estate, Globe Lane,
Dukinfield, Cheshire SK16 4UJ
E-MAIL: sales@multiquip.co.uk

© COPYRIGHT 2023, MULTIQUIP INC.

Multiquip Inc, the MQ logo are registered trademarks of Multiquip Inc. and may not be used, reproduced, or altered without written permission. All other trademarks are the property of their respective owners and used with permission.

This manual MUST accompany the equipment at all times. This manual is considered a permanent part of the equipment and should remain with the unit if resold.

The information and specifications included in this publication were in effect at the time of approval for printing. Illustrations, descriptions, references and technical data contained in this manual are for guidance only and may not be considered as binding. Multiquip Inc. reserves the right to discontinue or change specifications, design or the information published in this publication at any time without notice and without incurring any obligations.



PN: 21658