



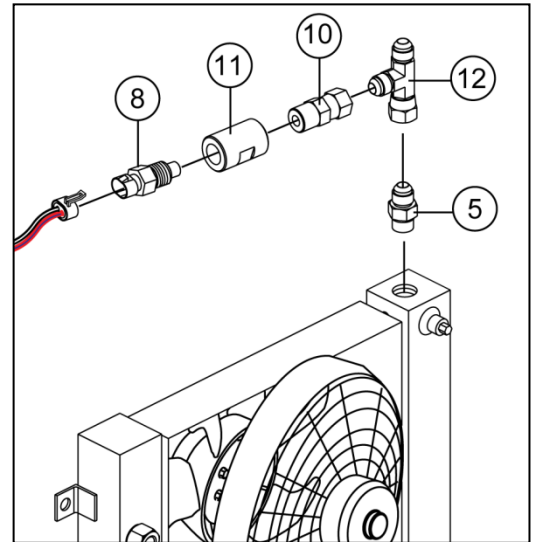
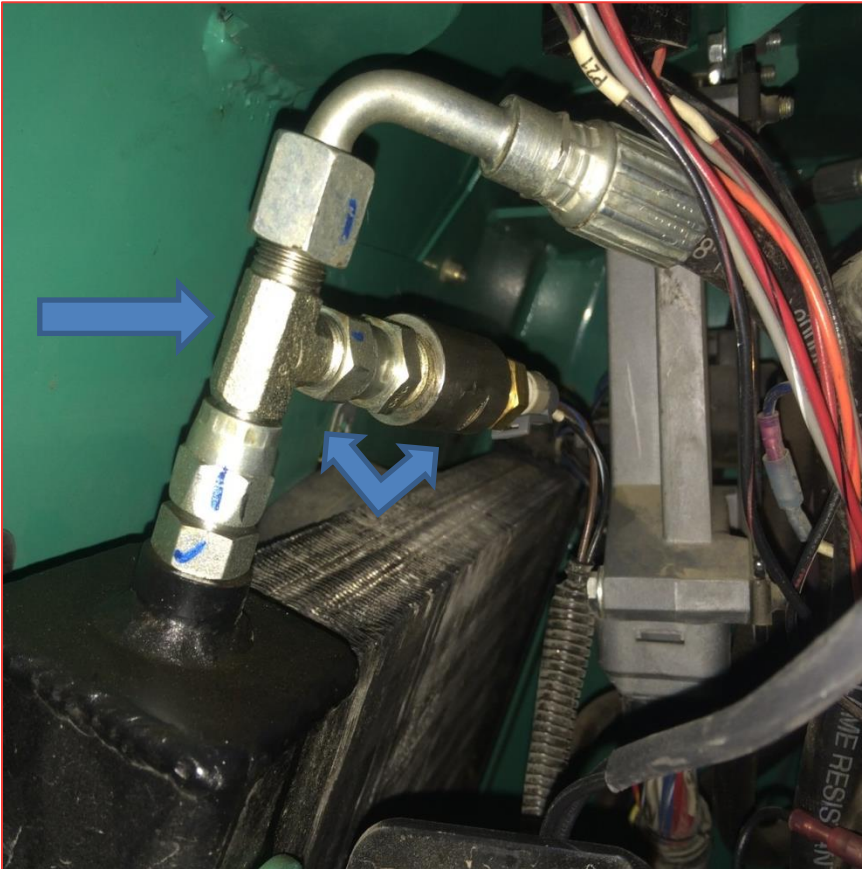
This bulletin is provided for technical reference and service related updates. If you have any questions, comments or do not wish to receive these e-mails, please reply to this e-mail or call the Service Technical Support Group 800 478-1244.

HYDRAULIC TEMPERATURE SENSOR FITTING CHANGE

Purpose of change:

- Plumbing change to the temp sensor to improve its location in the flow of fluid for increase accuracy.
- Changed with beginning Serial # RC2002970
- Replacement fittings can be order as a kit under MQ Part # 32577-SK

Old Fitting View



Remove and discard following items below:

Item #	MQ Part#	Description
10	22825	FITTING STRAIGHT
11	22826	FITTING COUPLER
12	22830	FITTING TEE

Reuse following items below:

Item#	MQ Part#	Description
5	21985	ORIFICE
8	22746	TEMP SENSOR

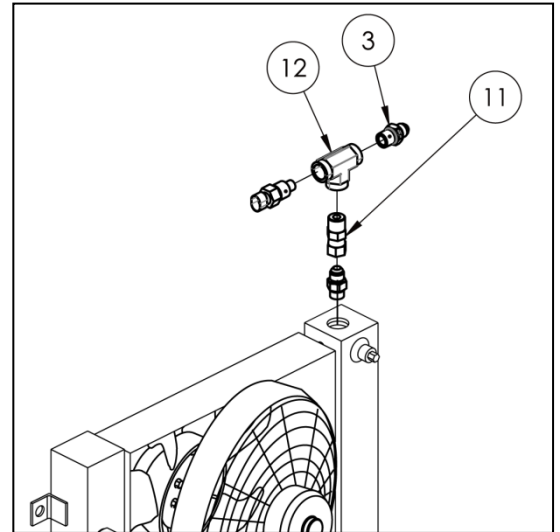


This bulletin is provided for technical reference and service related updates. If you have any questions, comments or do not wish to receive these e-mails, please reply to this e-mail or call the Service Technical Support Group 800 478-1244.

New Fitting View



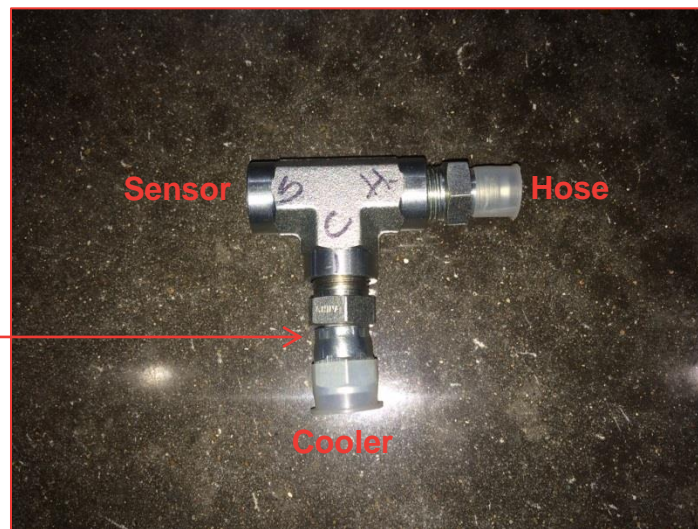
- Thread sealant recommended on fittings.
- Note sensor is positioned towards front of trowel.
- Loosening of the hose may be necessary to avoid hose twist



Order Kit # 32577-SK which consists of the following items below:

Item #	MQ Part#	Description
3	20255	FITTING STRAIGHT
11	22825	FITTING STRAIGHT
12	366735	FITTING TEE
*NS	32593	LOCTITE THREAD SEALANT #545

*(NS = Not Shown)



MQ PART # 22825

Orifice

Prior to installing the new fitting kit, it is recommended to remove the orifice at this time and inspect any signs of contamination or blockage. Clear out any blockage with a compressed air. This will help maintain the proper flow of fluid back to the tank.

