

TROWEL MACHINE CONTROL UNIT (MCU) CHANGE

The Machine Control Unit (MCU) used in the D6i series Ride-on trowels has been discontinued by the controller manufacturer.

- **Up to S/N NB2003439** the last unit production with the old **MCU 10100994**
- **Beginning with S/N NB2003440** the starting production with the new **MCU 11130956**

This will not affect any operator's functions of the trowel. However, the service technician may need to identify the installed MCU part number when making future firmware or parameter updates

The MCU controller version part number can be viewed by unmounting the controller and reading the data tag on the back side or a technician can also read the hardware version part number using the Whiteman Service Tool (WST) program.

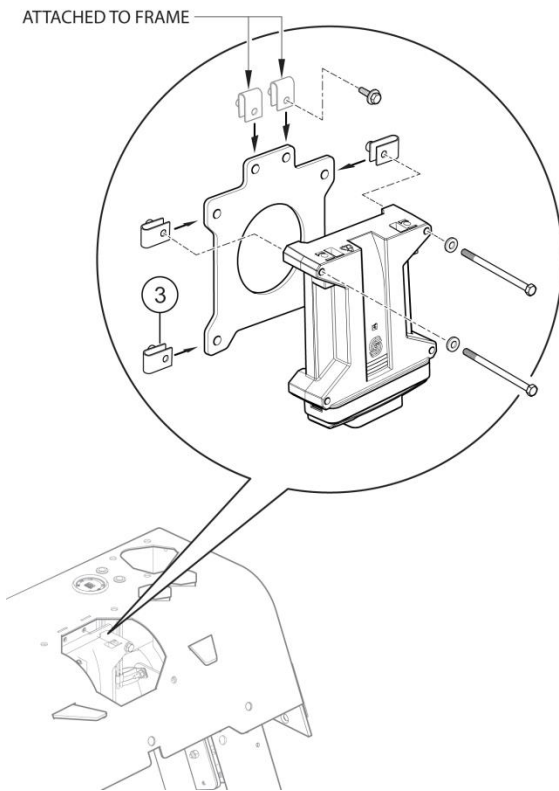


Figure 2 - Old MCU Data Tag -10100994



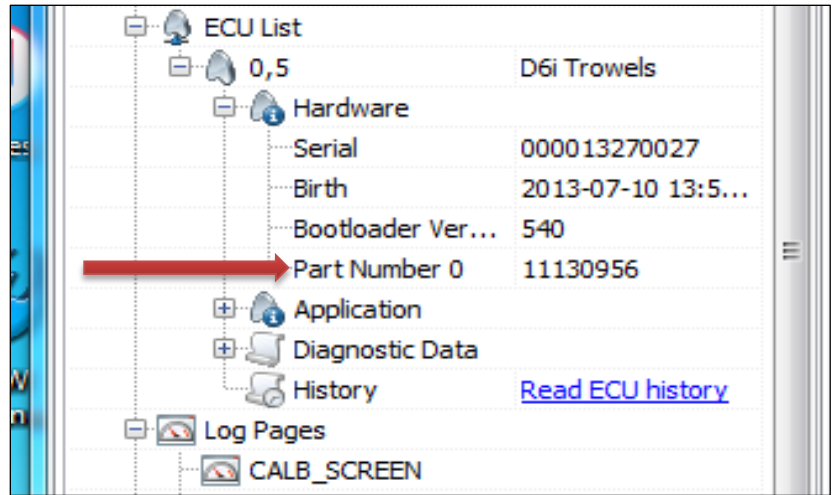
Figure 3 - New MCU Data Tag -11130956



A technician with the Whiteman Service Tool (WST) can also read the hardware's version part number.

Figure 4 With the WST program open, under the ECU List tab locate the Part Number.

- 10100994 is the old Part Number and discontinued from the manufacturer.
- 11130956 is the new Part Number under MQ Part # 42072.



- **Old Controller Hardware: 22706**
 - Latest firmware for old hardware: 22707103
 - Latest HTX parameter set for old hardware: 32584101
 - Latest STX parameter set for old hardware: 32585101
- **New Controller Hardware: 42072**
 - Latest firmware for new hardware: 30441100
 - Latest HTX parameter set for new hardware: 32799100
 - Latest STX parameter set for new hardware: 32800100
- **Service Tool Application File for both hardware versions: 22708RevE**

If a "No valid target ECU found" appears under the Status, it's an indication of software to hardware mismatch.

