



Service Bulletin

JWN24HTCSL Fuel/Vapor Hose Recall

Product Group: Ride-On Power Trowels	Date Issued: 09/13/12	Service Bulletin No. TR20120906
Bulletin Type <input checked="" type="checkbox"/> Mandatory <input type="checkbox"/> Information Only <input type="checkbox"/> Recommended Change		Models/Series Affected: JWN24HTCSL VB0206952 ~ UE0207328

Details

Multiquip is alerting the owners of the JWN24HTCSL Ride-On Power Trowel of updates to the hose used on the charcoal canister and fuel lines. This is a mandatory update required for compliance with the U.S. Environmental Protection Agency (EPA) regulations for evaporative emissions.

Parts Information

Figure 1. Parts Identification

Item No.	Part No.	Description	QTY.	Remarks
A	KITHOSEJWN	Kit, Hose Clamp Replacement	1	Includes items 1 Thru 6
1	22066	Clamp, Tension Stepless Ear 3/16"	2	Roll-Over Valve/Canister Tank Port
2	60004	3/16" Hose, Fuel, EPA	1	12 Inches
3	22068	Clamp, Tension Stepless Ear 5/16"	2	AF Inlet Port/Canister Purge Port
4	60028	5/16" Hose, Fuel, EPA	1	24 Inches
5	22067	Clamp, Tension Stepless Ear 1/4"	2	Fuel Tank/In-Line Fuel Filter
6	60013	1/4" Hose, Fuel, EPA	1	13.2 Inches

EPA HOSE MARKING VERIFICATION

NOTICE

Before performing any hose replacements, visually inspect **charcoal canister** and **fuel** hoses and verify that the **EPA-15** marking (Figure 2) is stamped on the hose. If this marking is stamped on the hose then your unit is EPA compliant and no further action is required.

If the EPA marking is **not stamped** on the hose, please proceed with the modification.

SERIAL NO. **EPA-15** MO./DAY/YR.

Figure 2. EPA Approved Fuel Hose Marking

INSTALLATION INSTRUCTIONS

Air Filter to Charcoal Canister Hose Installation

The existing 5/16-inch diameter air filter vapor hose (non EPA approved) connecting the air filter to the purge port on the charcoal canister needs to be replaced with an EPA approved hose.

Perform the procedure below to install a new EPA approved air filter vapor hose with tension clamp.

1. Place the saw on a flat surface that is free of dirt and debris.
2. Lock the wheels to prevent movement of the saw
3. At the charcoal canister (Figure 3) remove the existing air filter vapor hose from the **charcoal canister purge port**.

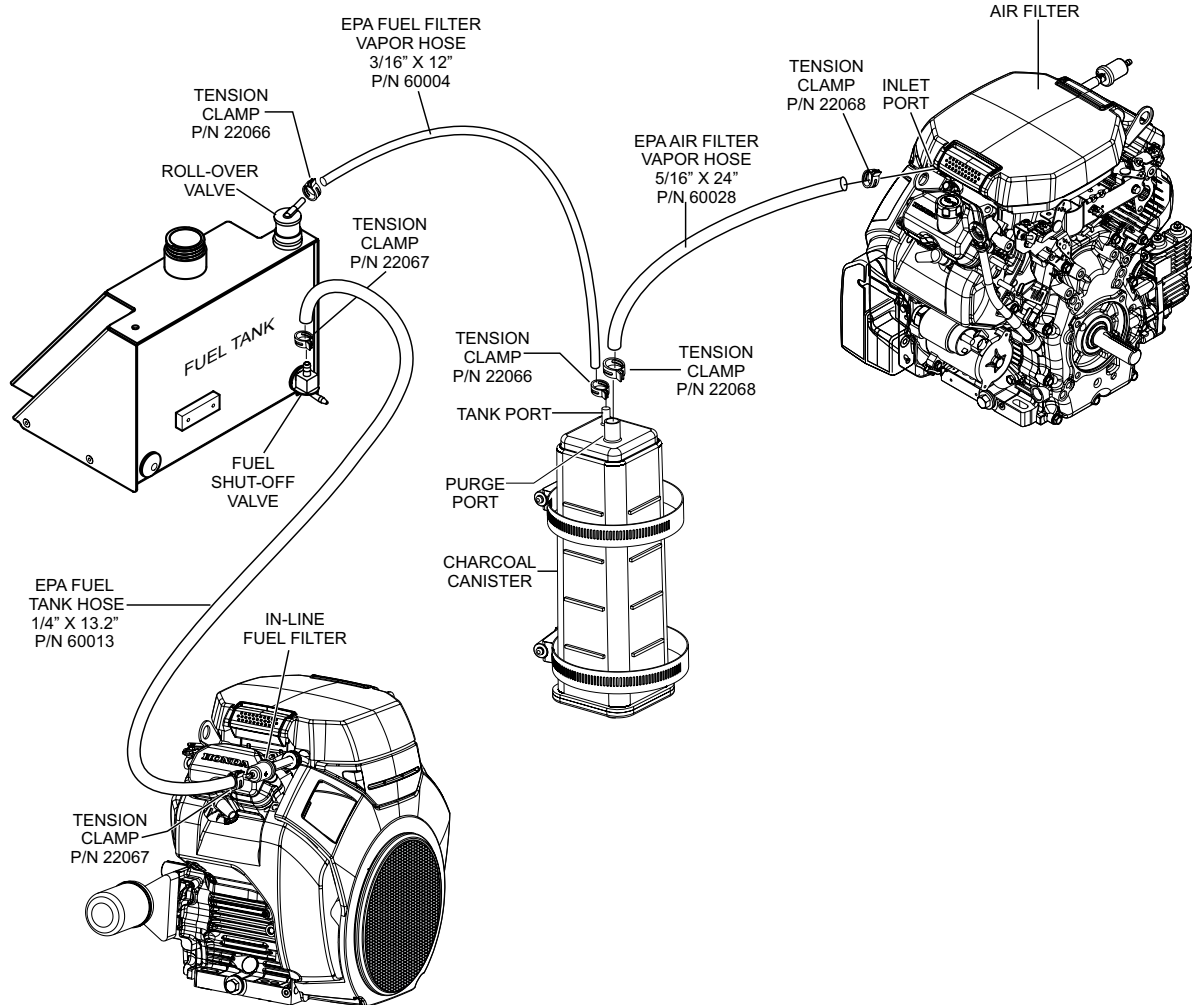


Figure 3. EPA Fuel Hoses Configuration

4. Next, remove the other end of the existing air filter vapor hose from the **air filter inlet port**.
5. Discard hose.
6. Install one end of the new EPA approved air filter vapor hose (P/N 60028) onto the **charcoal canister purge port** and secure with tension clamp (P/N 22068).
7. Insert the other end of the new EPA approved air filter vapor hose onto the **air filter inlet port** and secure with tension clamp (P/N 22068).

Roll-Over Valve to Charcoal Canister Hose Installation

The existing 3/16-inch diameter fuel tank vapor hose (non EPA approved) connecting the fuel tank roll-over valve to the tank port on the charcoal canister needs to be replaced with an EPA approved hose.

Perform the procedure below to install a new EPA approved fuel tank vapor hose with tension clamp.

1. At the charcoal canister (Figure 3) remove the existing fuel tank vapor hose from the **charcoal canister tank port**.
2. Next, remove the other end of the existing fuel tank vapor hose from the **roll-over valve port**.
3. Discard hose.
4. Install one end of the new EPA approved fuel tank vapor hose (P/N 60004) onto the **charcoal canister tank port** and secure with tension clamp (P/N 22066).
5. Insert the other end of the new EPA approved fuel tank vapor hose onto the **roll-over valve port** and secure with tension clamp (P/N 22066).

Fuel Tank to In-Line Filter Hose Installation

The existing 1/4-inch diameter fuel tank hose (non EPA approved) connecting the fuel tank to the in-line fuel filter needs to be replaced with an EPA approved hose.

Perform the procedure below to install a new EPA approved fuel tank hose with tension clamp.

1. Place the fuel shut-off valve (Figure 4) in the **OFF** position.

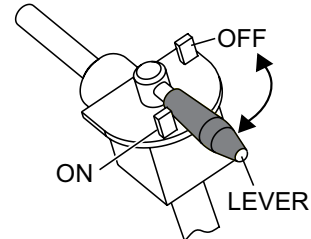


Figure 4. Fuel Shut-Off Valve

2. At the **in-line fuel filter**, remove the existing hose on the tank side (Figure 3).
3. Next, remove the other end of the existing fuel tank hose from the **fuel shut-off valve** on the fuel tank.
4. Discard hose.
5. Install one end of the new EPA approved fuel tank hose (P/N 60013) onto the **in-line fuel filter** and secure with tension clamp (P/N 22067).
6. Insert the other end of the new EPA approved fuel tank vapor hose onto the **fuel shut-off valve** and secure with tension clamp (P/N 22067).

Warranty Information

Campaign Reference No. 20120906

Please contact Chris Fairchild or Wendy Sanchez @ 1-800-421-1244 for warranty claim number and warranty form.

Labor Allowance: Flat Rate to install – 30 minutes.



Service Bulletin

JWN24HTCSL Fuel/Vapor Hose Recall

HERE'S HOW TO GET HELP

PLEASE HAVE THE MODEL AND SERIAL
NUMBER ON-HAND WHEN CALLING

UNITED STATES

MultiQuip Corporate Office

18910 Wilmington Ave. Tel. (800) 421-1244
Carson, CA 90746 Fax (310) 537-3927
Contact: mq@multiquip.com

Service Department

800-421-1244 Fax: 310-537-4259
310-537-3700

Technical Assistance

800-478-1244 Fax: 310-943-2238

MQ Parts Department

800-427-1244 Fax: 800-672-7877
310-537-3700 Fax: 310-637-3284

Warranty Department

800-421-1244 Fax: 310-943-2249
310-537-3700

MEXICO

MQ Cipsa

Carr. Fed. Mexico-Puebla KM 126.5 Tel: (52) 222-225-9900
Momoxpan, Cholula, Puebla 72760 Mexico Fax: (52) 222-285-0420
Contact: pmastretta@cipsa.com.mx

CANADA

MultiQuip

4110 Industriel Boul. Tel: (450) 625-2244
Laval, Quebec, Canada H7L 6V3 Tel: (877) 963-4411
Contact: jmartin@multiquip.com Fax: (450) 625-8664

UNITED KINGDOM

MultiQuip (UK) Limited Head Office

Unit 2, Northpoint Industrial Estate, Tel: 0161 339 2223
Globe Lane, Fax: 0161 339 3226
Dukinfield, Cheshire SK16 4UJ
Contact: sales@multiquip.co.uk

© COPYRIGHT 2012, MULTIQUIP INC.

MultiQuip Inc and the MQ logo are registered trademarks of MultiQuip Inc. and may not be used, reproduced, or altered without written permission. All other trademarks are the property of their respective owners and used with permission.

The information and specifications included in this publication were in effect at the time of approval for printing. Illustrations, descriptions, references and technical data contained in this document are for guidance only and may not be considered as binding. MultiQuip Inc. reserves the right to discontinue or change specifications, design or the information published in this publication at any time without notice and without incurring any obligations.

Your Local Dealer is:

