



LD6 Ride-On Trowel

Edger Kit Installation Instructions

The following instructions are intended to assist the user with the installation of the Edger Kit for use on a Multiquip Ride-On Trowel model LD6. Please read all assembly instructions before installing the kit.

REQUIRED TOOLS

- 16 mm wrench or socket

PARTS

Verify that all parts are accounted for.
See Figure 1 and Table 1.

Table 1. LD6 Edger Kit				
Item	Part No.	Description	Qty.	Remarks
1	45471	Edger Kit, LD6	1	Includes items 2–10
2	32976	Screw, HFS M10-1.5 × 25	2	
3	42353	Nut, Hex, Serrated-Flange, M10-1.5	2	
4	45718	Instructions, Edger Kit, LD6	1	
5	N/A	Assembly, Edger Bracket, Pre-Assembled	1	Includes items 6–10
6	0300 B	Washer, Flat SAE 5/16"	2	
7	15520-050	Screw, HHC M8-1.25 × 50 mm	2	
8	21189	Wheel, 2.13" OD × 1.25" W	2	
9	21369	Bearing, Sealed 5/16" ID × 7/8" OD	8	
10	45477	Bracket W/A, Edger, LD6	1	

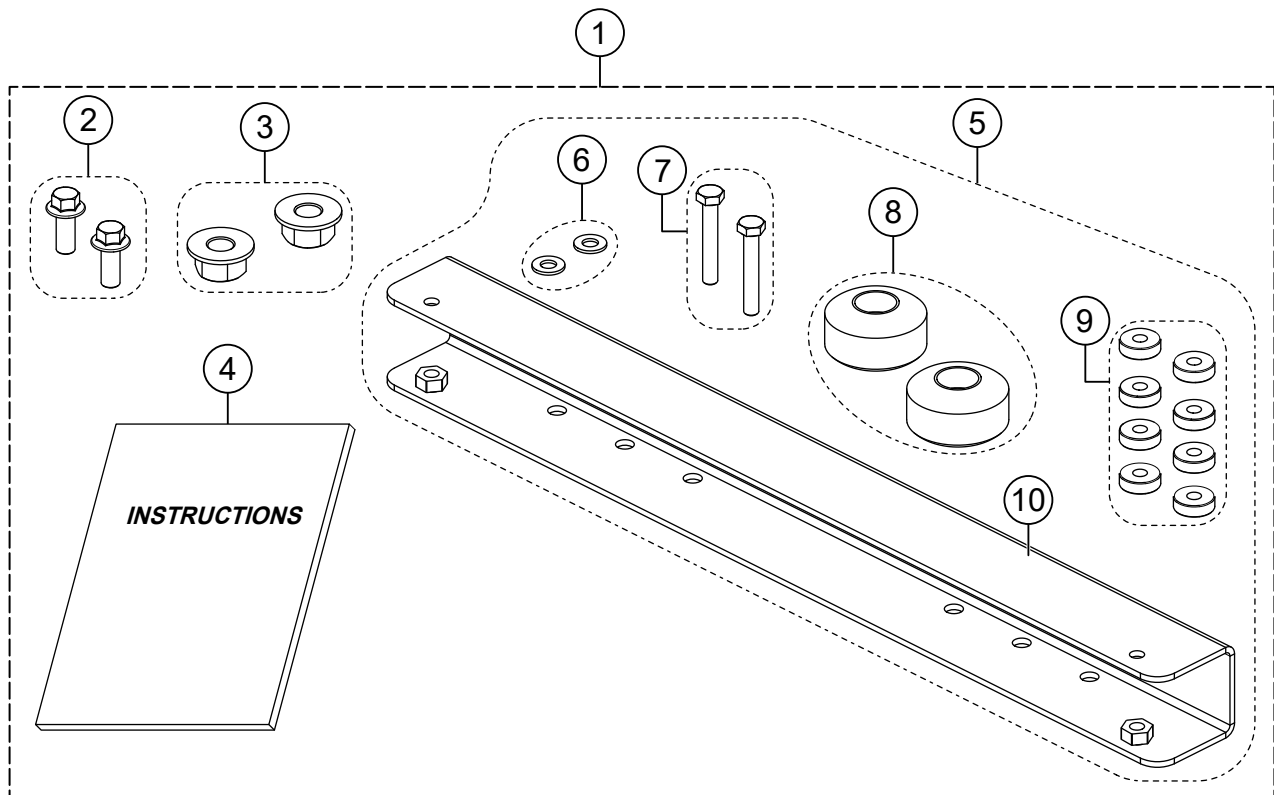


Figure 1. LD6 Edger Kit

WORK SAFELY!

Only a **qualified service technician** with proper training should perform this installation. Follow all shop safety rules while performing this installation.

PREPARATION

1. Make sure the trowel is turned **OFF** and the engine is cool.
2. Disconnect the negative (**BLACK**) battery cable from the negative (-) terminal on the battery.

PROCEDURE

1. Locate the mounting holes (Figure 2) in the belly pan at the front of the trowel. Note that there are three sets of holes, but only one set of holes will be used. Whichever set of mounting holes is chosen will determine the distance that the edger wheels extend out from the trowel.

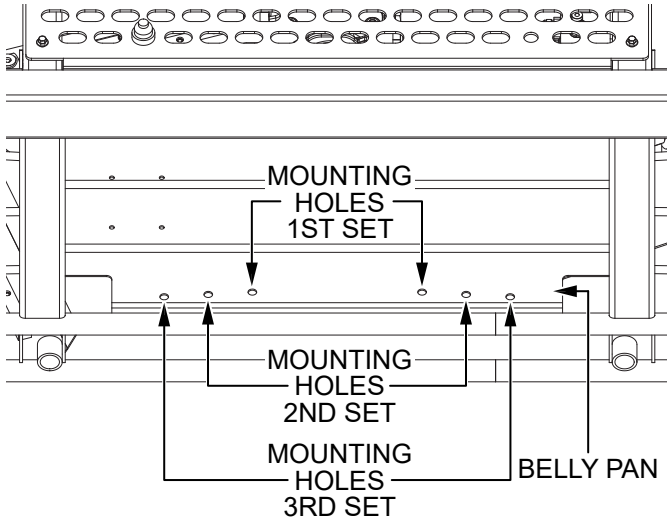


Figure 2. Locate Mounting Holes

2. Secure the edger bracket assembly to the front belly pan using the two M10-1.5 x 25 hex flange screws (P/N 32976) and two M10-1.5 hex nuts (P/N 42353). Choose the mounting holes that correspond to the edging distance you prefer. See Figure 3.

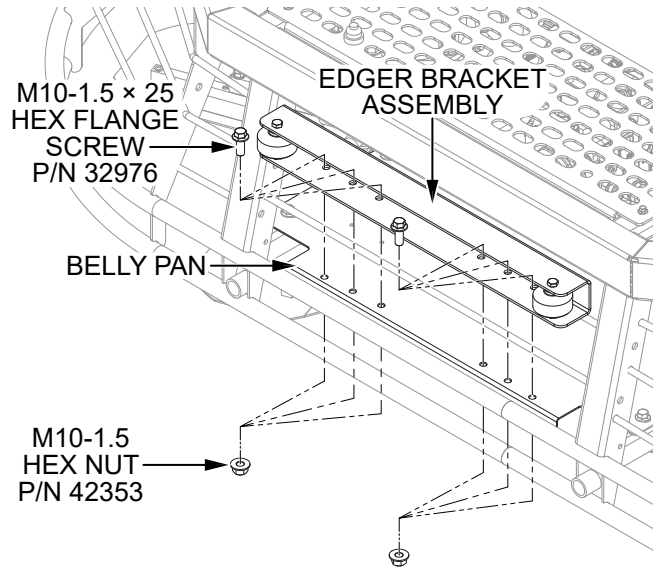


Figure 3. Install Edger Bracket Assembly



LD6 Ride-On Trowel

Edger Kit Installation Instructions

HERE'S HOW TO GET HELP

PLEASE HAVE THE MODEL AND SERIAL
NUMBER ON-HAND WHEN CALLING

UNITED STATES

Multiquip Inc.

(310) 537- 3700
6141 Katella Avenue Suite 200
Cypress, CA 90630
E-MAIL: mq@multiquip.com
WEBSITE: www.multiquip.com

CANADA

Multiquip

(450) 625-2244
4110 Industriel Boul.
Laval, Quebec, Canada H7L 6V3
E-MAIL: infocanada@multiquip.com

UNITED KINGDOM

Multiquip (UK) Limited Head Office

0161 339 2223
Unit 2, Northpoint Industrial Estate,
Globe Lane,
Dukinfield, Cheshire SK16 4UJ
E-MAIL: sales@multiquip.co.uk

© COPYRIGHT 2020, MULTIQUIP INC.

Multiquip Inc and the MQ logo are registered trademarks of Multiquip Inc. and may not be used, reproduced, or altered without written permission. All other trademarks are the property of their respective owners and used with permission.

The information and specifications included in this publication were in effect at the time of approval for printing. Illustrations, descriptions, references and technical data contained in this document are for guidance only and may not be considered as binding. Multiquip Inc. reserves the right to discontinue or change specifications, design or the information published in this publication at any time without notice and without incurring any obligations.

Your Local Dealer is:



PN: 45718