



# LD6 Ride-On Trowel

## Light Kit Installation Instructions

The following instructions are intended to assist the user with the installation of the Light Kit for use on a MultiQuip Ride-On Trowel model LD6. Please read all assembly instructions before installing the kit.

### REQUIRED TOOLS

- 10 mm wrench or socket
- 13 mm wrench or socket

### PARTS

Verify that all parts are accounted for. See Table 1 and Figure 1.

Table 1. LD6 Light Kit				
Item	Part No.	Description	Qty.	Remarks
1	45606	Light Kit, LD6	1	Includes items 2–8
2	45573	Work Light, 4" Sq. LED 100°	6	
3	42179-001	Actuator, Carling Contura V-Series	1	
4	42178-002	Switch Base, 10 Term, On-Off	1	
5	45381	Harness, LD6 Light Kit	1	
6	42344	Nut, Nyloc, M8-1.25, Class 8.8	6	
7	946703	Screw, HHC M8-1.25 x 25 mm Gr 10.9	6	
8	45716	Instructions, Light Kit, LD6	1	
9	N/A	Tie, Cable	5	Source locally

### SUPPLIER'S DECLARATION OF CONFORMITY 47 CFR § 2.1077 COMPLIANCE INFORMATION

UNIQUE IDENTIFIER: 45573

RESPONSIBLE PARTY – U.S. Contact Information

MULTIQUIP INC.  
6141 Katella Ave. Suite 200  
Cypress, CA 90630  
Phone: +1 (310)-537-3700  
+1 (800)-421-1244  
<https://www.multiquip.com>

#### FCC COMPLIANCE STATEMENT:

This device complies with Part 15 of the FCC Rules. Operation is subject to the following two conditions:

- (1) This device may not cause harmful interference, and
- (2) this device must accept any interference received, including interference that may cause undesired operation

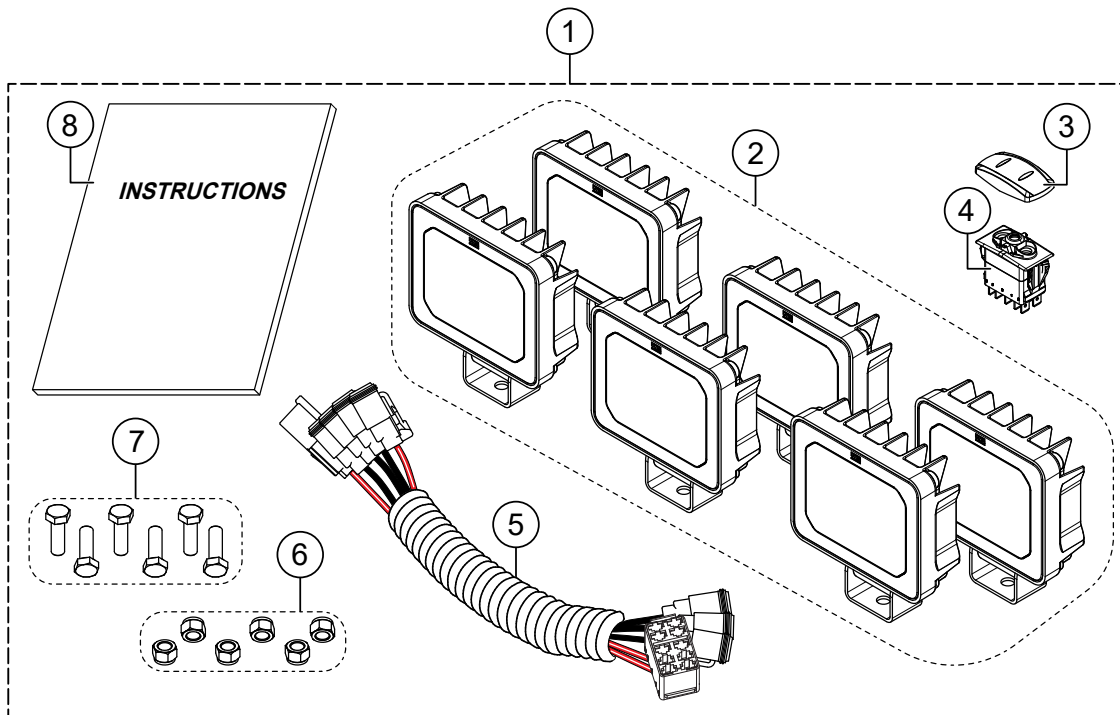


Figure 1. LD6 Light Kit

## WORK SAFELY!

Only a **qualified service technician** with proper training should perform this installation. Follow all shop safety rules while performing this installation.

## PREPARATION

1. Make sure the trowel is turned **OFF** and the engine is cool.
2. Disconnect the negative (**BLACK**) battery cable from the negative (-) terminal on the battery.

## INSTALLATION OF WORKLIGHTS

Secure the six LED worklights (P/N 45573) to the trowel frame using six hex head screws (P/N 946703) and six nyloc nuts (P/N 42344). See Figure 2 and Figure 3 for the worklight mounting locations.

### NOTICE

The left- and right-side control panels will need to be removed for installation of the side lights. See Figure 2 and Figure 3.

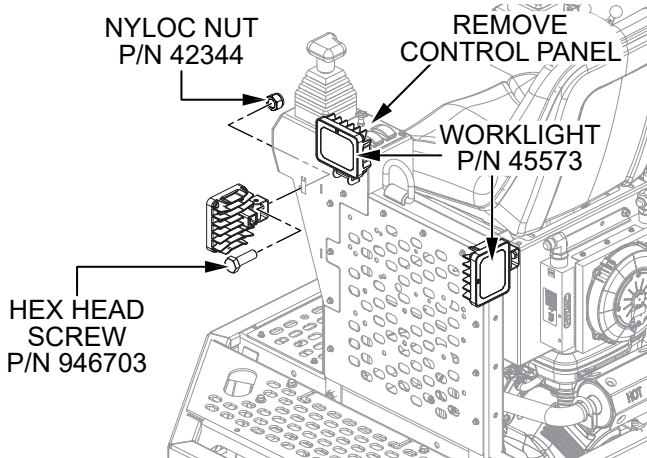


Figure 2. Left-Side Worklights

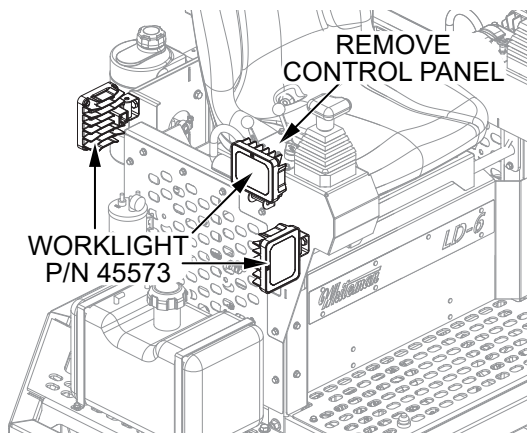


Figure 3. Right-Side Worklights

## WIRING HARNESS INSTALLATION

1. Tilt the operator's seat forward to access the electrical panel (Figure 4).

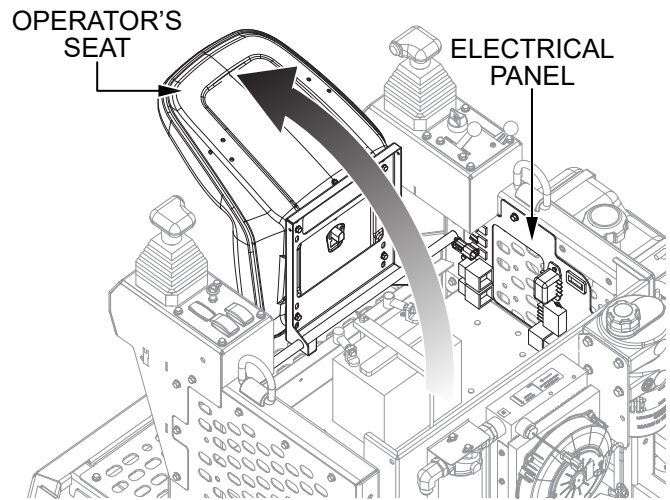


Figure 4. Access Electrical Panel

2. Remove the cap from the accessory power jack on the electrical panel and set it aside (Figure 5).

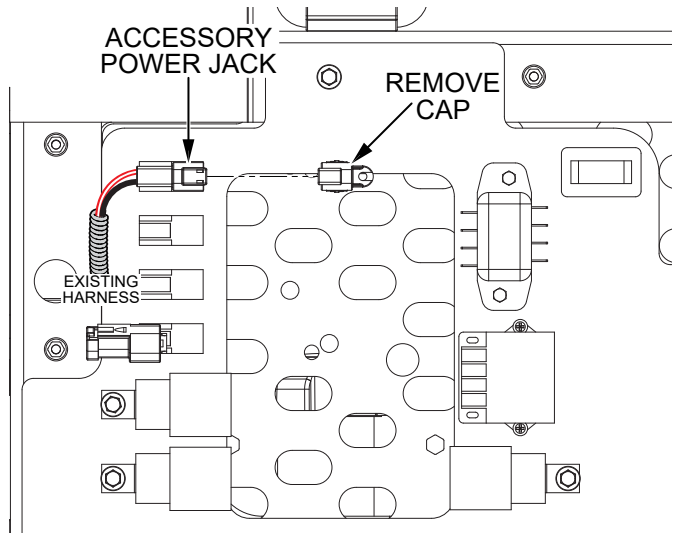
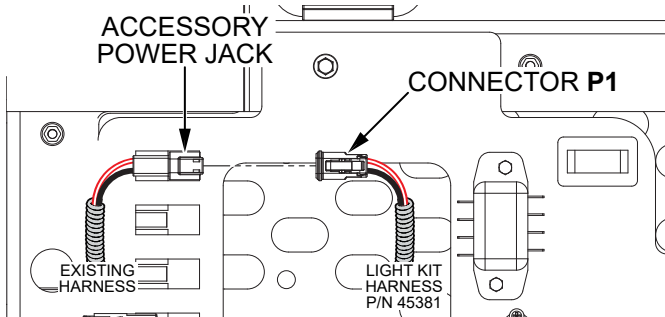


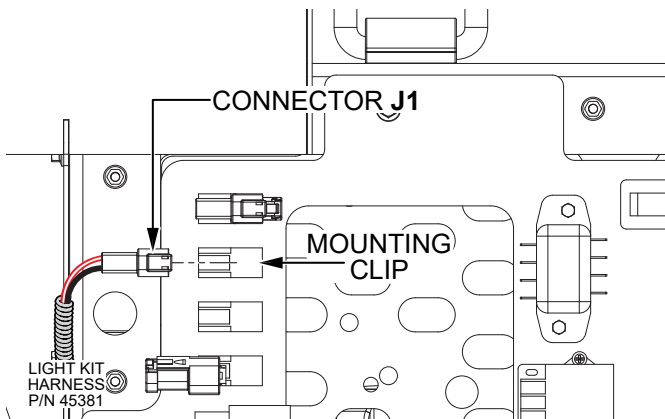
Figure 5. Remove Accessory Power Jack Cap

- Plug connector P1 from the light kit wiring harness (P/N 45381) into the accessory power jack. See Figure 6.



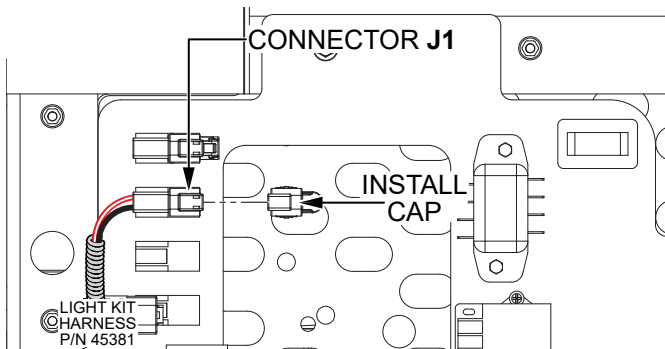
**Figure 6. Connect Light Kit Harness to Accessory Power Jack**

- Install connector J1 from the light kit wiring harness (P/N 45381) onto the next open mounting clip on the electrical panel. This will be the new accessory power jack for any future kit installations. See Figure 7.



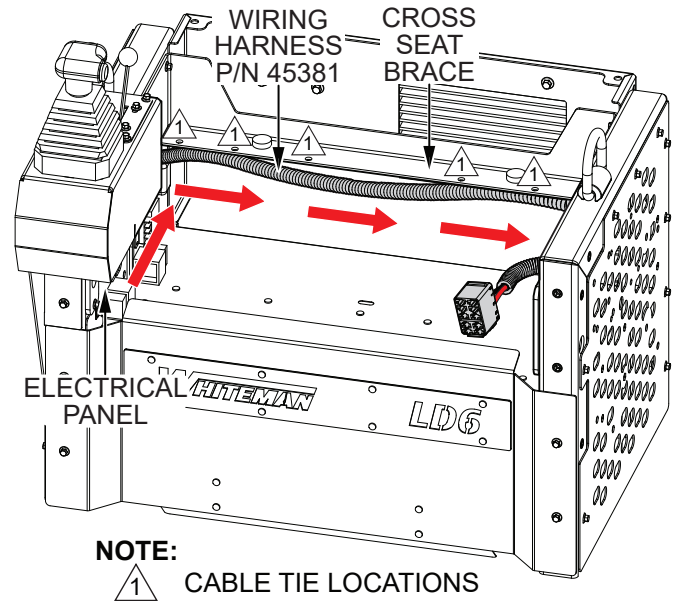
**Figure 7. Install New Accessory Power Jack**

- Install the cap that was removed during Step #3 onto the new accessory power jack (Figure 8).



**Figure 8. Install New Accessory Power Jack Cap**

- From the electrical panel, run the light kit wiring harness (P/N 45381) straight back to the cross seat brace, along the cross seat brace to the other side of the machine, then forward to the left-side control panel. Use cable ties to secure the harness to the cross seat brace. See Figure 9.

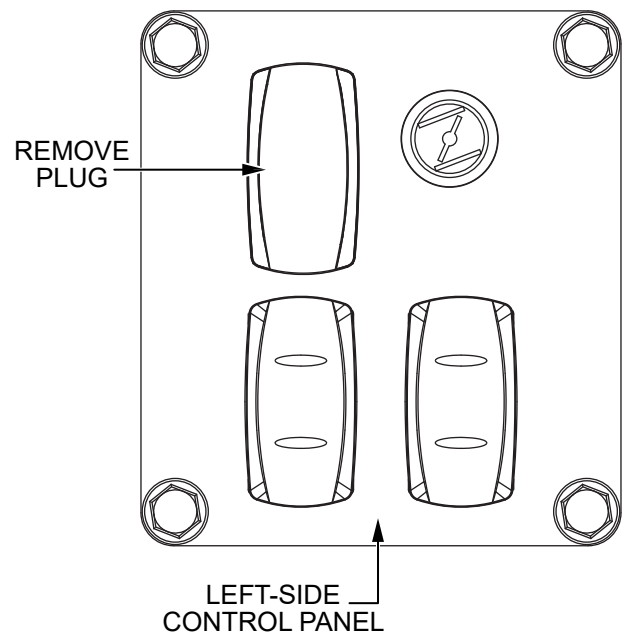


**NOTE:**  
 ▲ CABLE TIE LOCATIONS

**Figure 9. Install Wiring Harness**

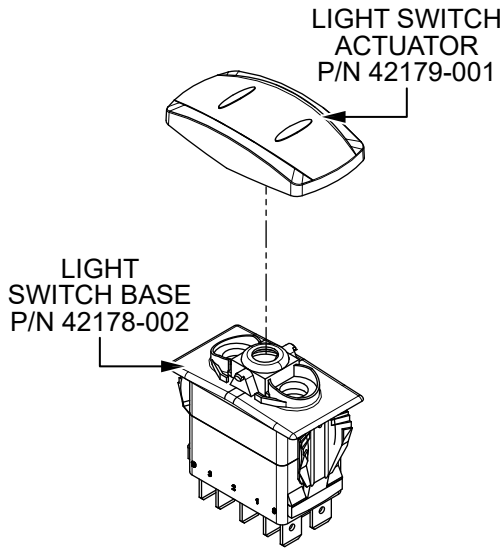
**LIGHT SWITCH INSTALLATION**

- Remove the plug from the left-side control panel (Figure 10).



**Figure 10. Remove Plug**

2. Install the light switch actuator (P/N 42179-001) onto the light switch base (P/N 42178-002). See Figure 11.

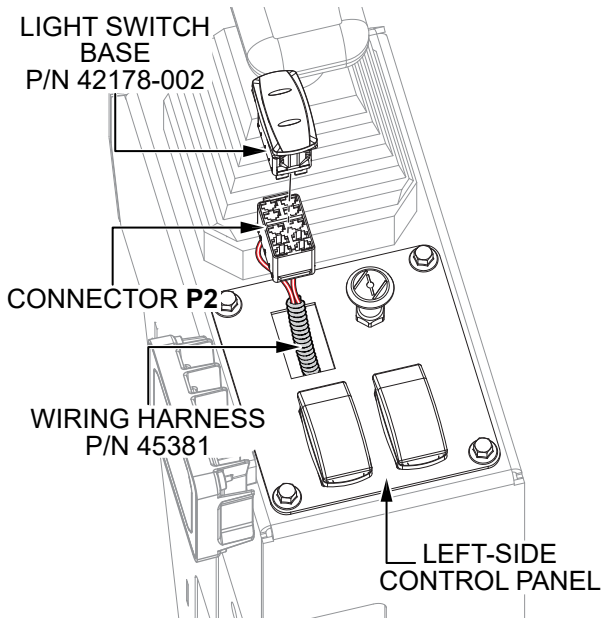


**Figure 11. Assemble Light Switch**

3. Bring connector P2 from the light kit wiring harness (P/N 45381) up through the open hole in the left-side control panel. See Figure 12.

**NOTICE**

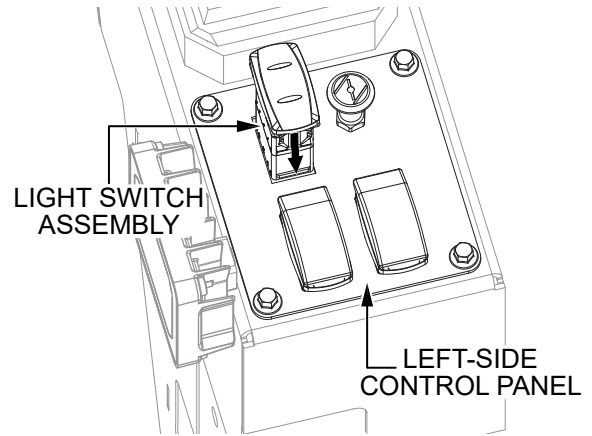
The left-side control panel will need to be removed for installation of the switch.



**Figure 12. Connect Light Switch**

4. Connect the light switch base (P/N 42178-002) to connector P2 from the light kit wiring harness (P/N 45381). See Figure 12.

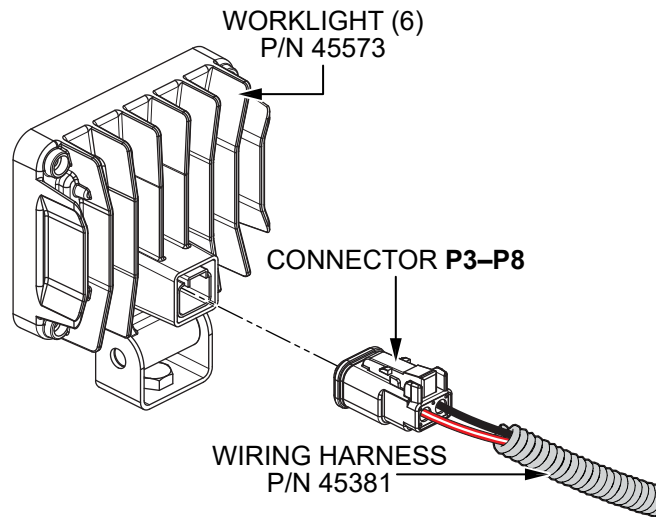
5. Push the light switch assembly into the open hole in the left-side control panel (Figure 13). Make sure it is properly seated in the hole.



**Figure 13. Install Light Switch**

**CONNECTION OF WORKLIGHTS**

Plug the six remaining connectors P3–P8 from the light kit wiring harness (P/N 45381) into the six worklights (P/N 45573) installed on the machine.



**Figure 14. Connect Worklights**

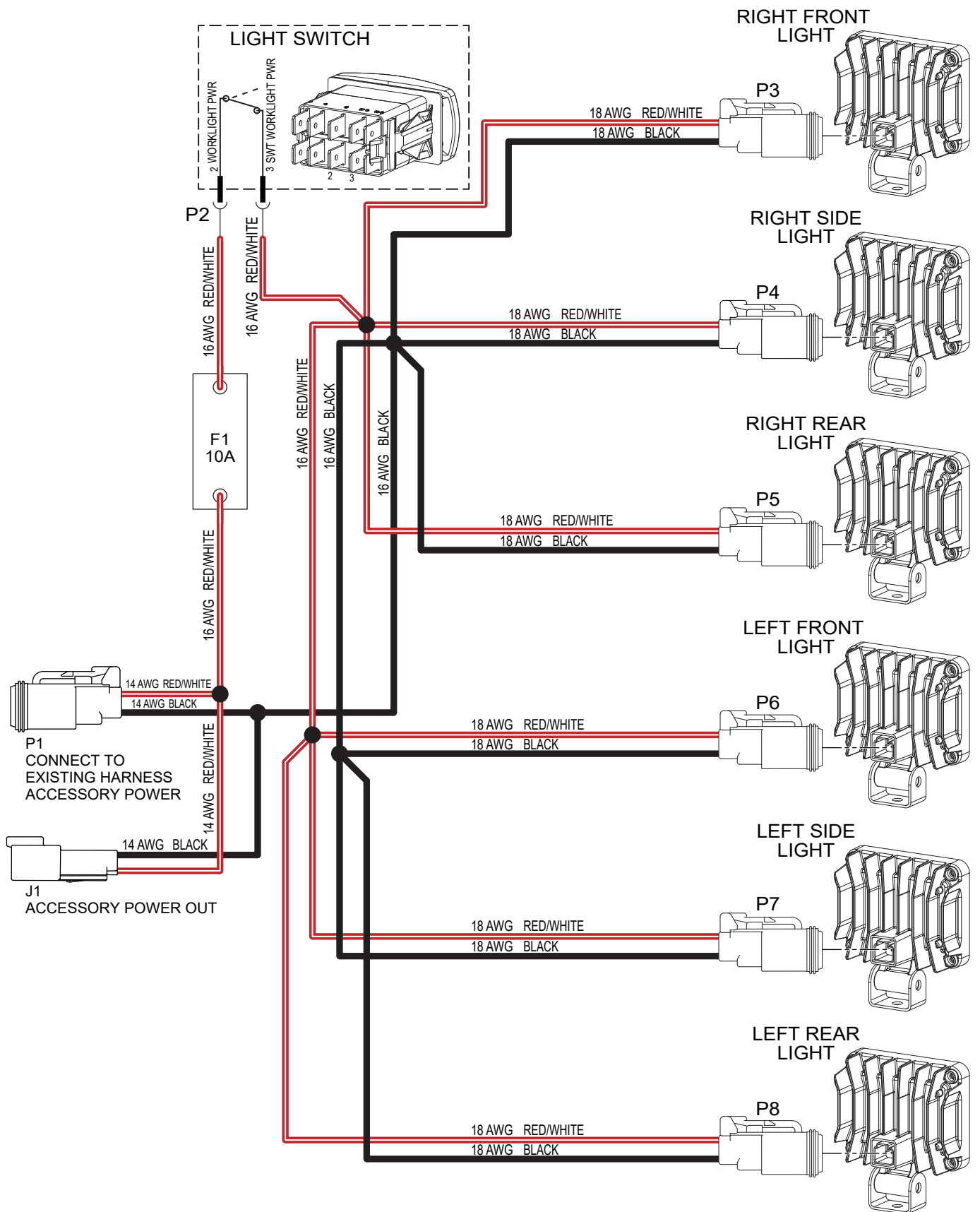


Figure 15. Wiring Diagram



# LD6 Ride-On Trowel

## Light Kit Installation Instructions

---

### HERE'S HOW TO GET HELP

PLEASE HAVE THE MODEL AND SERIAL  
NUMBER ON-HAND WHEN CALLING

#### UNITED STATES

##### *Multiquip Inc.*

(310) 537- 3700  
6141 Katella Avenue Suite 200  
Cypress, CA 90630  
E-MAIL: [mq@multiquip.com](mailto:mq@multiquip.com)  
WEBSITE: [www.multiquip.com](http://www.multiquip.com)

---

#### CANADA

##### *Multiquip*

(450) 625-2244  
4110 Industriel Boul.  
Laval, Quebec, Canada H7L 6V3  
E-MAIL: [infocanada@multiquip.com](mailto:infocanada@multiquip.com)

#### UNITED KINGDOM

##### *Multiquip (UK) Limited Head Office*

0161 339 2223  
Unit 2, Northpoint Industrial Estate,  
Globe Lane,  
Dukinfield, Cheshire SK16 4UJ  
E-MAIL: [sales@multiquip.co.uk](mailto:sales@multiquip.co.uk)

© COPYRIGHT 2021, MULTIQUIP INC.

Multiquip Inc. and the MQ logo are registered trademarks of Multiquip Inc. and may not be used, reproduced, or altered without written permission. All other trademarks are the property of their respective owners and used with permission.

The information and specifications included in this publication were in effect at the time of approval for printing. Illustrations, descriptions, references and technical data contained in this document are for guidance only and may not be considered as binding. Multiquip Inc. reserves the right to discontinue or change specifications, design or the information published in this publication at any time without notice and without incurring any obligations.

Your Local Dealer is:



**PN: 45716**