

PARTS MANUAL



 **MAYCO SERIES**
MODEL LS600
CONCRETE PUMP
(DEUTZ BF4L914 DIESEL ENGINE)

Revision #5 (05/14/24)

To find the latest revision of this publication or associated operation manual, visit our website at: www.multiquip.com



THIS MANUAL MUST ACCOMPANY THE EQUIPMENT AT ALL TIMES.

LS600 Concrete Pump

Explanation of Code in Remarks Column..... 4
Suggested Spare Parts 5

Component Drawings

Nameplate And Decals 6-9
Frame Assembly 10-11
Axle Assembly (Right/Left) 12-13
Brake Line Assembly 14-15
Brake Light Assembly 16-17
Trailer Hitch Assembly 18-19
Battery Assembly 20-21
Hopper Assembly 22-23
Hopper Attachment Assembly 24-25
Hopper Interior Assembly 26-27
Shuttle Cylinder Assembly 28-29
Lubrication Pistons Assembly 30-33
Fuel Tank Assembly 34-35
Heat Exchanger Assembly 36-37
Accumulator Assembly 38-39
Remixer Control Assembly 40-41
Lubrication Panel Assembly 42-43
Engine Cover Assembly 44-45
Hydraulic Tank Assembly 46-47
Engine Assembly 48-49
Engine Air Filter Assembly 50-51
Throttle Assembly 52-53
Water Separator Assembly 54-55
Hydraulic Pump Assembly 56-57
Manifold Assembly 58-59
Control Box Assembly 60-61
Control Box Harness Assembly 62-63
Remote Control Cable Assembly 64-65
Hydraulic Stabilizer Assembly (Optional) 66-67

NOTICE
Specifications and part numbers are subject to change without notice.

EXPLANATION OF CODE IN REMARKS COLUMN

The following section explains the different symbols and remarks used in the Parts section of this manual. Use the help numbers found on the back page of the manual if there are any questions.

NOTICE

The contents and part numbers listed in the parts section are subject to change without notice. Multiquip does not guarantee the availability of the parts listed.

SAMPLE PARTS LIST

NO.	PART NO.	PART NAME	QTY.	REMARKS
1	12345	BOLT	1	INCLUDES ITEMS W/%
2%		WASHER, 1/4 IN.		NOT SOLD SEPARATELY
2%	12347	WASHER, 3/8 IN. ...	1	MQ-45T ONLY
3	12348	HOSE	A/R	MAKE LOCALLY
4	12349	BEARING	1	S/N 2345B AND ABOVE

NO. Column

Unique Symbols — All items with same unique symbol (@, #, +, %, or >) in the number column belong to the same assembly or kit, which is indicated by a note in the “Remarks” column.

Duplicate Item Numbers — Duplicate numbers indicate multiple part numbers, which are in effect for the same general item, such as different size saw blade guards in use or a part that has been updated on newer versions of the same machine.

NOTICE

When ordering a part that has more than one item number listed, check the remarks column for help in determining the proper part to order.

PART NO. Column

Numbers Used — Part numbers can be indicated by a number, a blank entry, or TBD.

TBD (To Be Determined) is generally used to show a part that has not been assigned a formal part number at the time of publication.

A blank entry generally indicates that the item is not sold separately or is not sold by Multiquip. Other entries will be clarified in the “Remarks” Column.

QTY. Column

Numbers Used — Item quantity can be indicated by a number, a blank entry, or A/R.

A/R (As Required) is generally used for hoses or other parts that are sold in bulk and cut to length.

A blank entry generally indicates that the item is not sold separately. Other entries will be clarified in the “Remarks” Column.

REMARKS Column

Some of the most common notes found in the “Remarks” Column are listed below. Other additional notes needed to describe the item can also be shown.

Assembly/Kit — All items on the parts list with the same unique symbol will be included when this item is purchased.

Indicated by:

“INCLUDES ITEMS W/(unique symbol)”

Serial Number Break — Used to list an effective serial number range where a particular part is used.

Indicated by:

“S/N XXXXX AND BELOW”

“S/N XXXX AND ABOVE”

“S/N XXXX TO S/N XXX”

Specific Model Number Use — Indicates that the part is used only with the specific model number or model number variant listed. It can also be used to show a part is NOT used on a specific model or model number variant.

Indicated by:

“XXXXX ONLY”

“NOT USED ON XXXX”

“Make/Obtain Locally” — Indicates that the part can be purchased at any hardware shop or made out of available items. Examples include battery cables, shims, and certain washers and nuts.

“Not Sold Separately” — Indicates that an item cannot be purchased as a separate item and is either part of an assembly/kit that can be purchased, or is not available for sale through Multiquip.

SUGGESTED SPARE PARTS

LS600 CONCRETE PUMP

1 UNIT

Qty.	P/N	Description
1	EM16462	FELT HOLDER
4	EM98050	PISTON CUP, ORANGE
4	EM16493	FELT RING
1	EM98033	OIL PLATE
2	EM14408	BRONZE RING
2	EM16145	BUSHING SWING AXLE (BRONZE)
1	EM98021	WEAR, PLATE
2	EM16816-1A	ENERGIZER RING
1	EM16816-2	INSERT RING
2	EM98065	SLEEVE, SEAL
1	EM98022	WEAR RING
1	EM98065	RUBBER RING
2	EM14407	O-RING
1	34507	CAP, FUEL
2	EM20763	FILTER, FUEL (IN LINE)
1	P53712	CARTRIDGE, WATER SEPARATOR
3	01174416	FILTER, OIL (ENGINE)
3	01174696	FILTER, FUEL (ENGINE)
1	EM98163	PROXIMITY, SWITCH
3	EM98093P	ELEMENT, PRIMARY AIR FILTER
3	EM98093S	ELEMENT, SECONDARY AIR FILTER
1	EM981121	ELEMENT, RETURN OIL S/N 281100 AND BELOW
1	EM98275	ELEMENT, RETURN OIL S/N281101 AND ABOVE

NOTICE

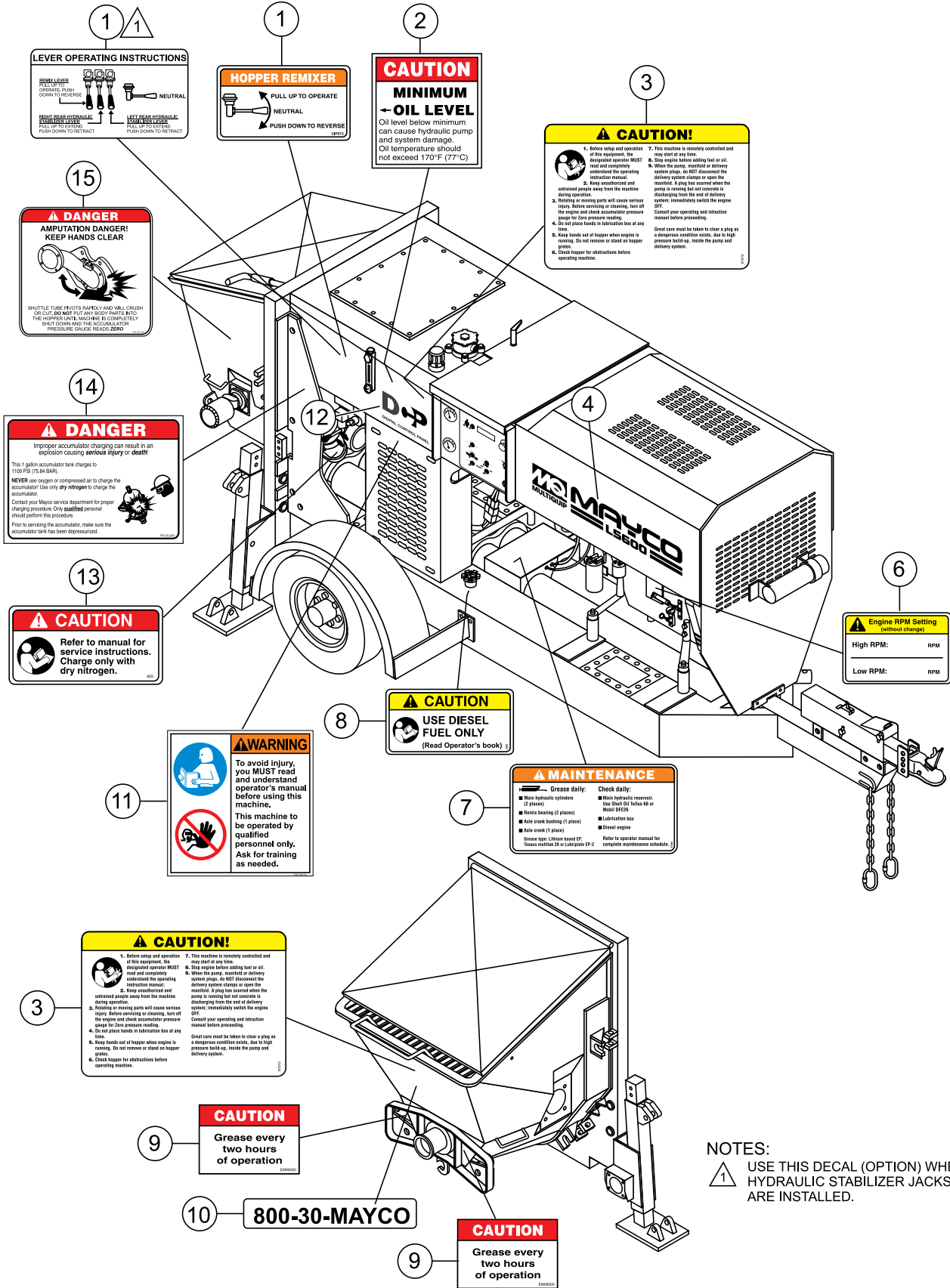
Part numbers on this Suggested Spare Parts list may supersede/replace the part numbers shown in the following parts lists.

LS600 CONCRETE PUMP

3 UNITS

Qty.	P/N	Description
1	EM16459	PIN
2	EM25801	CONCRETE CYLINDER
4	EM16462	FELT HOLDER
6	EM98050	PISTON CUP, ORANGE
8	EM16493	FELT RING
4	EM98033	OIL PLATE
4	EM14408	BRONZE RING
4	EM16145A	BUSHING SWING AXLE (BRONZE)
3	EM98021A	WEAR PLATE
4	EM16816-1A	ENERGIZER RING
2	EM16816-2	INSERT RING
4	EM98065	SLEEVE SEAL
6	EM98022	WEAR RING
3	EM98065	RUBBER RING
6	EM14407	O-RING
2	EM16174	O-RING
2	EM98163	SWITCH, PROXIMITY
6	510265	BOLT, HEX HEAD 3/8 NC X3-1/4" G8
1	34507	CAP, FUEL
6	EM20763	FILTER, FUEL
3	P53712	CARTRIDGE, WATER SEPARATOR
9	01174416	FILTER, OIL (ENGINE)
9	01174696	FILTER, FUEL (ENGINE)
9	EM98093P	ELEMENT, PRIMARY AIR FILTER
9	EM98093S	ELEMENT, SECONDARY AIR FILTER
9	EM981121	ELEMENT, RETURN OIL S/N 281100 AND BELOW
9	EM98275	ELEMENT, RETURN OIL S/N281101 AND ABOVE

NAMEPLATE AND DECALS



1 **1**

LEVER OPERATING INSTRUCTIONS

SEMI LEVER
PULL UP TO
OPERATE
PUSH DOWN TO REVERSE

NEUTRAL

RIGHT REAR HYDRAULIC
STABILIZER LEVER
PULL UP TO EXTEND
PUSH DOWN TO RETRACT

LEFT REAR HYDRAULIC
STABILIZER LEVER
PULL UP TO EXTEND
PUSH DOWN TO RETRACT

1

HOPPER REMIXER

PULL UP TO OPERATE

NEUTRAL

PUSH DOWN TO REVERSE

2

CAUTION

MINIMUM OIL LEVEL

Oil level below minimum can cause hydraulic pump and system damage. Oil temperature should not exceed 170°F (77°C)

3

CAUTION!

- Before setup and operation of this equipment, the designated operator MUST read and completely understand the operating instruction manual.
- Keep unauthorised and untrained people away from the machine during operation.
- Handling or moving parts will cause serious injury. Before servicing or cleaning, turn off the engine and check accumulator pressure gauge for zero pressure reading.
- Do not place hands in lubrication box at any time.
- Keep hands out of hopper when engine is running. Do not remove or stand on hopper grate.
- Check hopper for obstructions before operating machine.

- This machine is remotely controlled and may start at any time.
- Stop engine before adding fuel or oil.
- When the pump, mixer or delivery system plug, do NOT disconnect the delivery system unless or upon the monitor. A plug has earned when the pump is running but not operating or discharging from the end of delivery system. Immediately switch the engine OFF. Consult your operating and instruction manual before proceeding.

Great care must be taken to clear a plug in a dangerous condition exists. Due to high pressure build-up, inside the pump and delivery system.

15

DANGER

AMPUTATION DANGER!
KEEP HANDS CLEAR

SHUTTLE TUBE MOVES RAPIDLY AND WILL CRUSH OR CUT. DO NOT FEEL ANY BODY PARTS IN THE HOPPER LATE. MACHINE IS COMPLETELY SHUT DOWN AND THE ACCUMULATOR PRESSURE GAUGE READS ZERO

14

DANGER

Improper accumulator charging can result in an explosion causing serious injury or death.

This 1 gallon accumulator tank charges to 1100 PSI (75.84 BAR).

NEVER use oxygen to compressed air to charge the accumulator. Use only dry Nitrogen to charge the accumulator.

Contact your local service department for proper charging procedure. Only qualified personnel should perform this procedure.

Prior to servicing the accumulator, make sure the accumulator tank has been depressurized.

13

CAUTION

Refer to manual for service instructions. Charge only with dry nitrogen.

11

WARNING

To avoid injury, you MUST read and understand operator's manual before using this machine.

This machine to be operated by qualified personnel only. Ask for training as needed.

8

CAUTION

USE DIESEL FUEL ONLY
(Read Operator's book)

7

MAINTENANCE

<ul style="list-style-type: none"> Grease daily: <ul style="list-style-type: none"> Main hydraulic cylinders (2 places) Roller bearings (2 places) Axle crank bearing (1 place) Axle axles (1 place) Grease lube: Lithium based EP, Traxx multi-20 or Lubriplate EP-2 	<ul style="list-style-type: none"> Check daily: <ul style="list-style-type: none"> Main hydraulic reservoir, Use Shell Oil Vitec 68 or Mobil DTE25 Lubrication box Diesel engine <p>Refer to operator manual for complete maintenance schedule.</p>
--	--

6

Engine RPM Setting (without charge)

High RPM:	RPM
Low RPM:	RPM

3

CAUTION!

- Before setup and operation of this equipment, the designated operator MUST read and completely understand the operating instruction manual.
- Keep unauthorised and untrained people away from the machine during operation.
- Handling or moving parts will cause serious injury. Before servicing or cleaning, turn off the engine and check accumulator pressure gauge for zero pressure reading.
- Do not place hands in lubrication box at any time.
- Keep hands out of hopper when engine is running. Do not remove or stand on hopper grate.
- Check hopper for obstructions before operating machine.

- This machine is remotely controlled and may start at any time.
- Stop engine before adding fuel or oil.
- When the pump, mixer or delivery system plug, do NOT disconnect the delivery system unless or upon the monitor. A plug has earned when the pump is running but not operating or discharging from the end of delivery system. Immediately switch the engine OFF. Consult your operating and instruction manual before proceeding.

Great care must be taken to clear a plug in a dangerous condition exists. Due to high pressure build-up, inside the pump and delivery system.

9

CAUTION

Grease every two hours of operation

10 **800-30-MAYCO**

9

CAUTION

Grease every two hours of operation

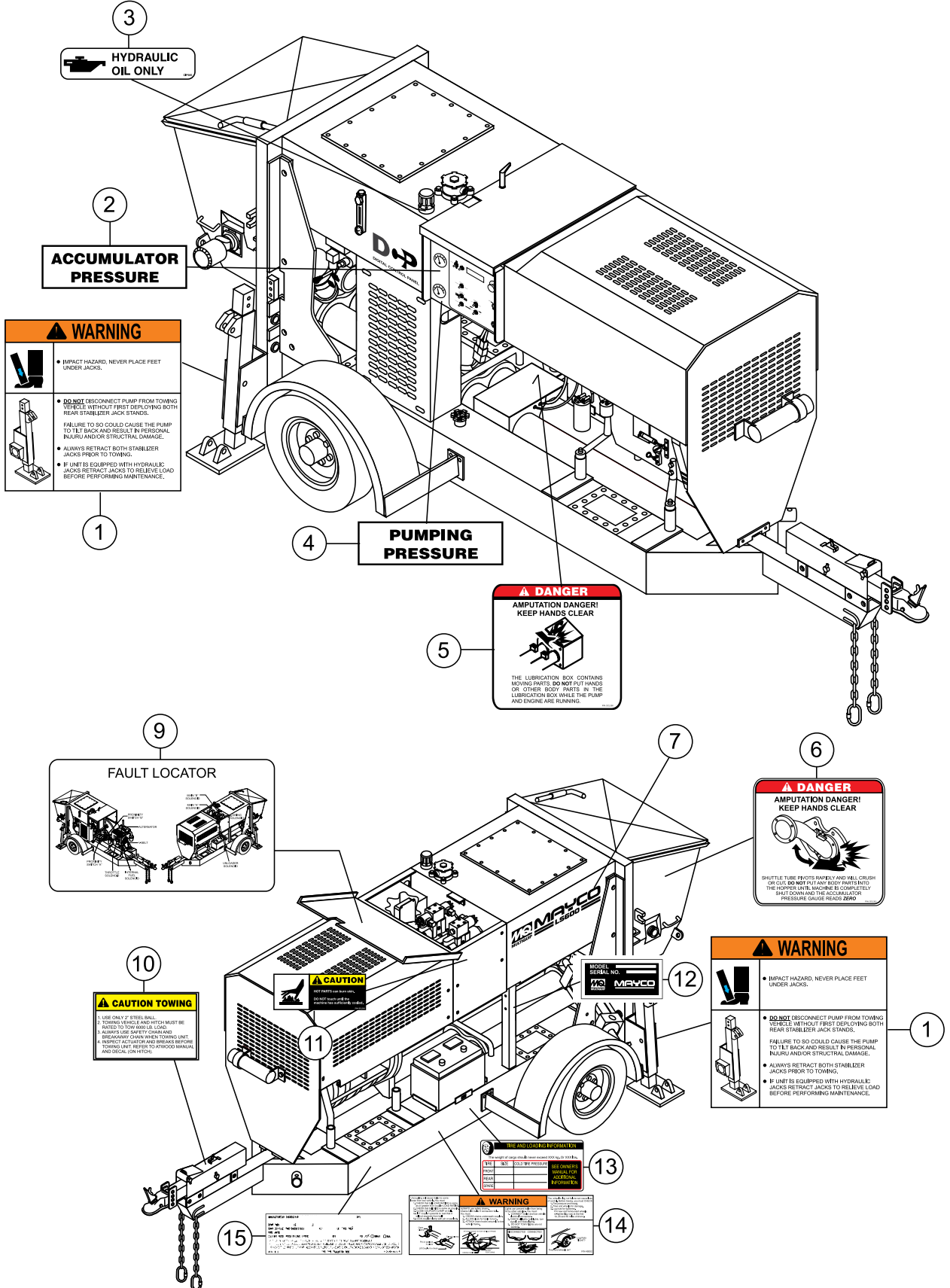
NOTES:

1 USE THIS DECAL (OPTION) WHEN HYDRAULIC STABILIZER JACKS ARE INSTALLED.

NAMEPLATE AND DECALS

<u>NO.</u>	<u>PART NO.</u>	<u>PART NAME</u>	<u>QTY.</u>	<u>REMARKS</u>
1	EM970	DECAL, HOPPER REX MIXER	1	
1	TBD	DECAL, LEVER OPERATING INSTRUCTIONS ...	1	OPTION (HYDRAULIC JACKS)
2	EM511091	DECAL, MINIMUM OIL LEVEL	1	
3	EM97072	DECAL, CAUTION - OP. INSTRUCTIONS	2	
4	EM517644	DECAL, MQ/MAYCO LS600 LOGO	1	
6	513580	DECAL, ENGINE RPM SETTING	1	
7	EM97084	DECAL, MAINTENANCE	1	
8	EM995	DECAL, CAUTION DIESEL FUEL	1	
9	EM98000	DECAL, CAUTION - GREASE 2 HOURS	2	
10	511709	DECAL, 800-30-MAYCO	1	
11	35137	DECAL, CAUTION READ MANUAL	1	
12	517907	DIGITAL CONTROL PANEL LOGO	1	
13	EM955	DECAL, DANGER CHARGING ACCUM.	1	
14	DCL304	DECAL, DANGER IMPROPER CHARGING	1	
15	DCL301	DECAL, SHUTTLE TUBE DANGER	1	

NAMEPLATE AND DECALS



WARNING

- IMPACT HAZARD. NEVER PLACE FEET UNDER JACKS.
- DO NOT DISCONNECT PUMP FROM TOWING VEHICLE WITHOUT FIRST DEPLOYING BOTH REAR STABILIZER JACK STANDS. FAILURE TO DO SO COULD CAUSE THE PUMP TO TILT BACK AND RESULT IN PERSONAL INJURY AND/OR STRUCTURAL DAMAGE.
- ALWAYS RETRACT BOTH STABILIZER JACKS PRIOR TO TOWING.
- IF UNIT IS EQUIPPED WITH HYDRAULIC JACKS RETRACT JACKS TO RELIEVE LOAD BEFORE PERFORMING MAINTENANCE.

DANGER

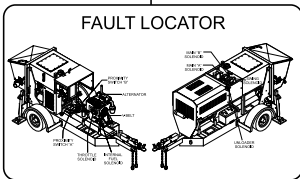
AMPUTATION DANGER!
KEEP HANDS CLEAR

THE LUBRICATION BOX CONTAINS MOVING PARTS. DO NOT PUT HANDS OR OTHER BODY PARTS IN THE LUBRICATION BOX WHILE THE PUMP AND ENGINE ARE RUNNING.

DANGER

AMPUTATION DANGER!
KEEP HANDS CLEAR

SHUTTLE TUBE PIVOTS SWIVELY AND WILL CRACK OR CUT. DO NOT PUT ANY BODY PARTS INTO THE SHUTTLE TUBE MACHINE BE COMPLETELY SHUT DOWN AND THE ACCUMULATOR PRESSURE GAUGE READING ZERO.



CAUTION TOWING

- 1. USE ONLY 2" STEEL BALL.
- 2. TOWING VEHICLE AND PUMP MUST BE RATED TO TOW BALLS LOAD.
- 3. ALWAYS USE SAFETY CHAINING.
- 4. BREAKAWAY CHAIN WHEN TOWING UNTIL TOWING LINE FEELS TO BREAK BEFORE TOWING LINE FEELS TO ATTACH MANUAL AND DECAL (ON PITCH).

WARNING

- IMPACT HAZARD. NEVER PLACE FEET UNDER JACKS.
- DO NOT DISCONNECT PUMP FROM TOWING VEHICLE WITHOUT FIRST DEPLOYING BOTH REAR STABILIZER JACK STANDS. FAILURE TO DO SO COULD CAUSE THE PUMP TO TILT BACK AND RESULT IN PERSONAL INJURY AND/OR STRUCTURAL DAMAGE.
- ALWAYS RETRACT BOTH STABILIZER JACKS PRIOR TO TOWING.
- IF UNIT IS EQUIPPED WITH HYDRAULIC JACKS RETRACT JACKS TO RELIEVE LOAD BEFORE PERFORMING MAINTENANCE.

THE AND LOGS INFORMATION

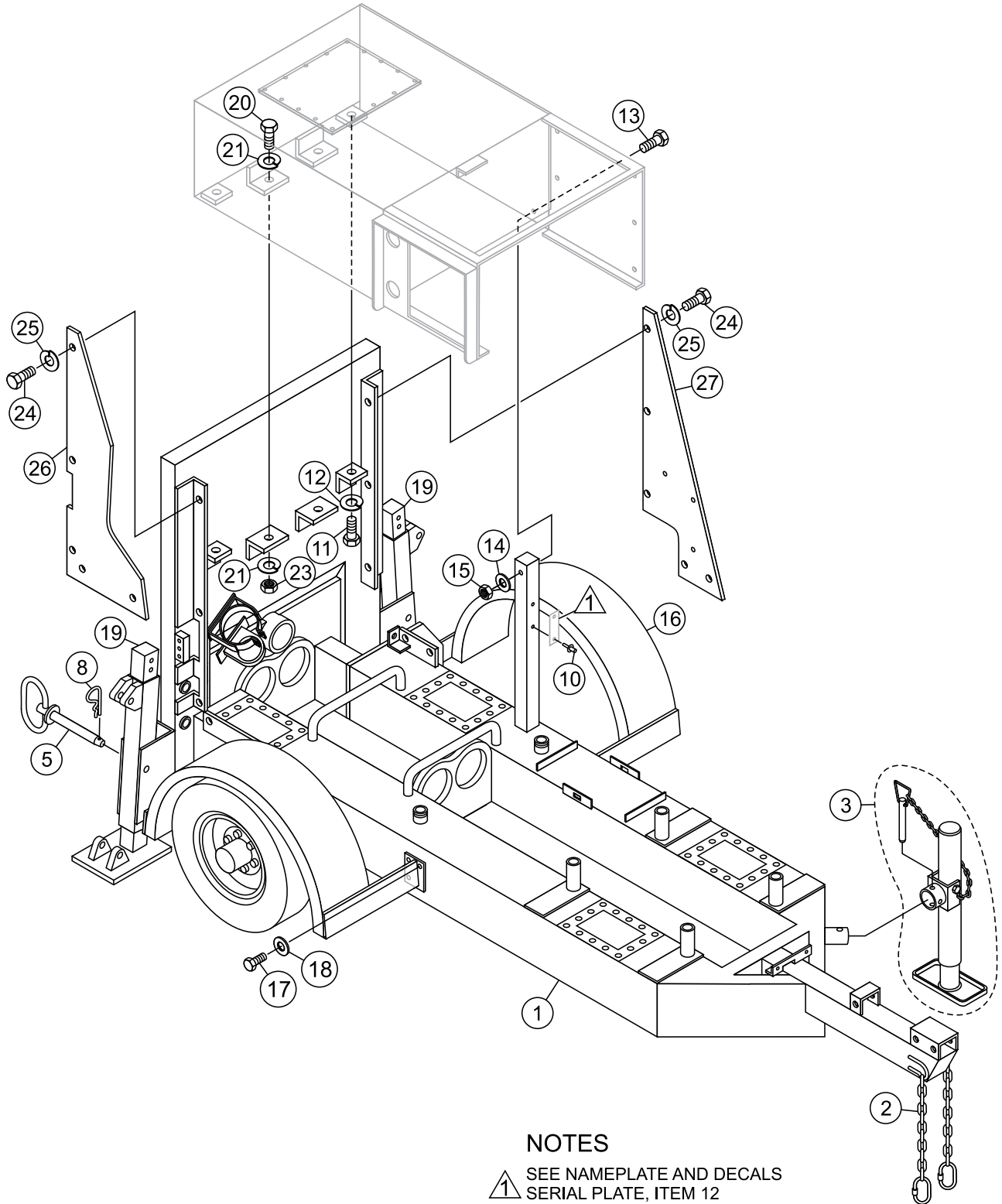
DATE	TIME	OPERATOR	REMARKS

WARNING

NAMEPLATE AND DECALS

<u>NO.</u>	<u>PART NO.</u>	<u>PART NAME</u>	<u>QTY.</u>	<u>REMARKS</u>
1	TBD	DECAL, IMPACT HAZARD	1	
2	EM97070	DECAL, ACCUMULATOR PRESSURE	1.....	INCLUDED W/ITEM 4
3	EM985	DECAL, HYDRAULIC OIL ONLY	1	
4	EM97070	DECAL, PUMPING PRESSURE DECAL.....	1.....	INCLUDED W/ITEM 2
5	DCL300	DECAL, DANGER LUBRICATION BOX	1	
6	DCL301	DECAL, SHUTTLE TUBE DANGER	1	
7	EM517644	DECAL, MQ/MAYCO LS600 LOGO	1	
9	TBD	DECAL, FAULT LOCATOR	1	
10	EM696	DECAL, CAUTION - TOWING DECAL	1	
11	DCL302	DECAL, WARNING BURN HAZARD	1	
12		SERIAL PLATE	1.....	CONTACT MQ PARTS DEPT.
13	TBD	DECAL, TIRE LOADING	1	
14	49002	DECAL, WARNING COUPLER	1	
15	TBD	DECAL, VIN IDENTIFICATION	1	

FRAME ASSY.



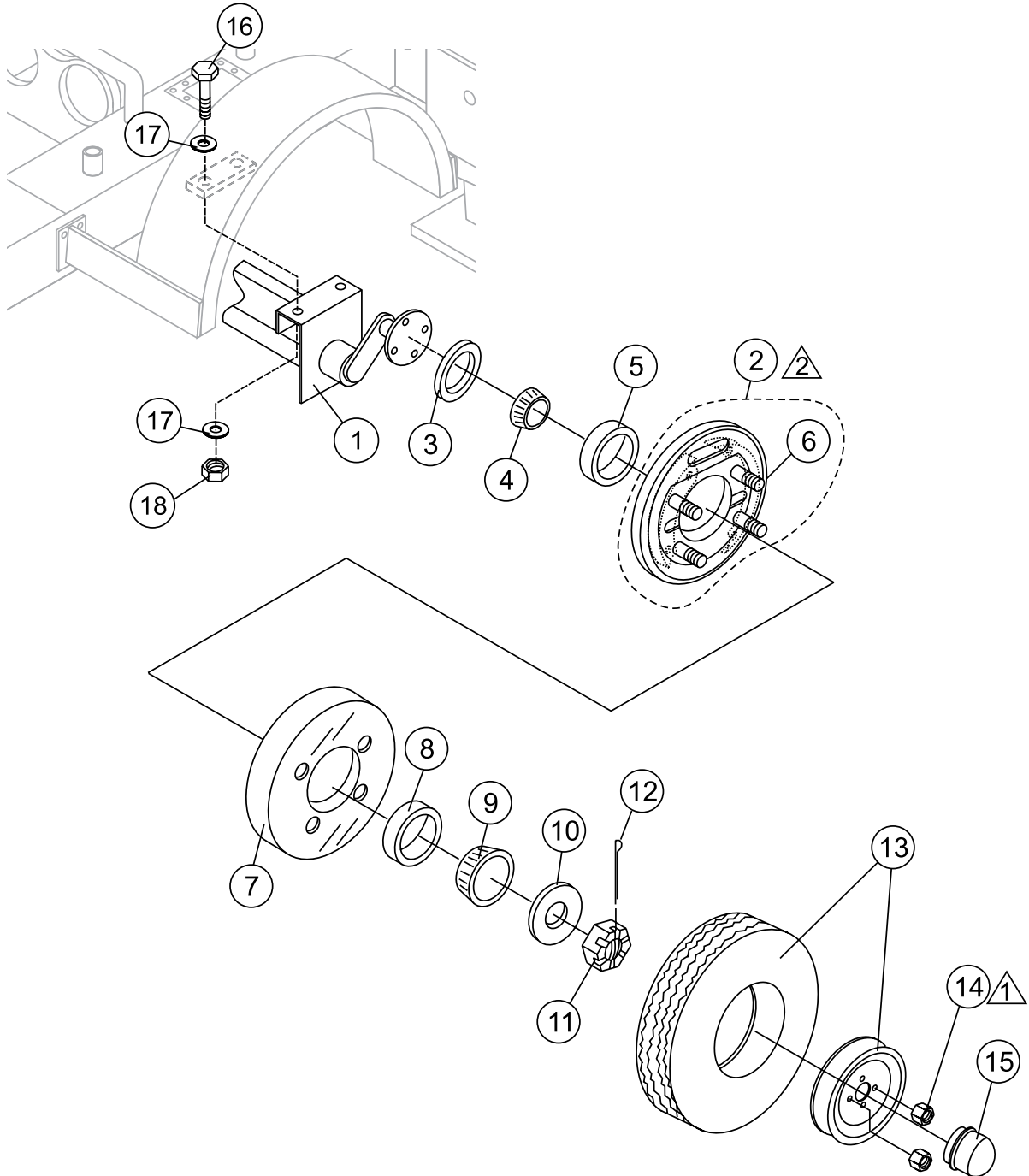
NOTES

⚠ SEE NAMEPLATE AND DECALS
SERIAL PLATE, ITEM 12

FRAME ASSY.

<u>NO.</u>	<u>PART NO.</u>	<u>PART NAME</u>	<u>QTY.</u>	<u>REMARKS</u>
1	514355	FRAME, MAIN	1	
2	EM516581	CHAIN, TRAILER HITCH, 3/8 X 40", GRADE 40	2	
3	EM25610	JACK STAND, FRONT	1	
5	EM744	CLEVIS PIN	2	
8	EM491686	PIN	2	
10	EM491744	RIVET, POP AM-44	2	
11	509562	BOLT, 3/8" NC X 5/8" G5	2	
12	0166 A	LOCK, WASHER 3/8"	2	REPLACES P/N 492624
13	503112	BOLT 3/8" X 2-3/4"	1	
14	3019092	WASHER 3/8"	2	REPLACES P/N 492598
15	EM969013	NUT 3/8"	1	REPLACES P/N 492583
16	517985	FENDOR, BOLT ON	2	
17	504456	BOLT 1/2" NC X 3/4" G5	12	
18	6109180	WASHER, LOCK 1/2 IN.	12	REPLACES P/N 492626
19	517113	STABILIZER STAND	2	
20	492376	BOLT 3/8" NC X 1-1/4" G5	2	
21	0166 A	WASHER, LOCK 3/8"	4	REPLACES P/N 492624
23	EM969013	NUT 3/8"	2	REPLACES P/N 492583
24	517124	BOLT 3/4" NC X 1" G5	10	
25	EM923350	WASHER, LOCK 3/4 IN.	10	REPLACES P/N EM492628
26	517092	SUPPORT PLATE, RIGHT	1	
27	517095	SUPPORT PLATE, LEFT	1	

AXLE ASSY. (RIGHT/LEFT)



NOTES:

TORQUE LUG NUTS PER LUG NUT
1 TORQUE TABLE REFERENCED IN THIS MANUAL.

RIGHT AND LEFT SIDE AXLE ASSEMBLIES ARE IDENTICAL WITH THE EXCEPTION OF THE BRAKE ASSEMBLY.
2

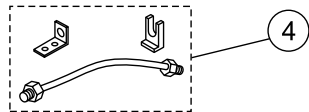
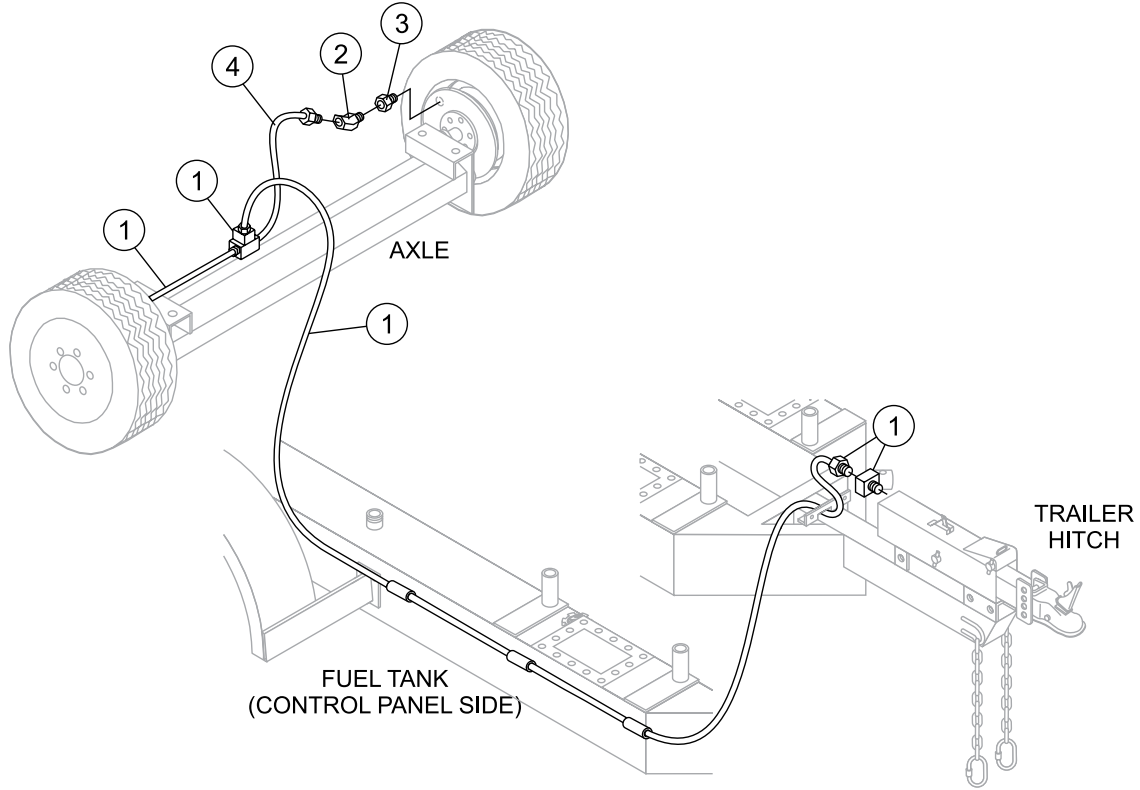
AXLE ASSY. (RIGHT/LEFT)

<u>NO.</u>	<u>PART NO.</u>	<u>PART NAME</u>	<u>QTY.</u>	<u>REMARKS</u>
1	EM98116	AXLE, TORSION BAR ASSEMBLY	1	
2	EM092305	BRAKE ASSEMBLY COMPLETE, RIGHT	1	INCLUDES ITEMS W/#
2	EM092306	BRAKE ASSEMBLY COMPLETE, LEFT	1	INCLUDES ITEMS W/% SEE NOTE BELOW
3	363198	OIL SEAL	1	
4	363196	INNER BEARING CONE 2 IN.	1	
5	383911	INNER BEARING CUP 2 IN.	1	
6#%	363909	WHEEL STUD 1/2 IN. - 20 UNF PRESS IN	8	
7	363239	HUB AND DRUM ASSEMBLY	2	
8	363916	OUTER BEARING CONE	1	
9	363420	OUTER BEARING CUP	1	
10	568326	LOAD WASHER 1 IN. T5 HP	1	
11	363257	SLOTTED NUT, 1 IN. UNF	2	
12	363258	COTTER PIN 3/16 IN. X 1-1/2	2	
13	EM514813	RIM AND TIRE	2	
14	363203	WHEEL LUG NUTS 1/2 UNF 60 CON	8	
15	363199	GREASE CAP	2	
16	EM104	BOLT, HEX HEAD 5/8 IN NC X 2 IN G5	4	REPLACES P/N 503982
17	0401450160	WASHER, FLAT 5/8 IN.	8	REPLACES P/N 492602
18	EM969023	NUT, LOCK 5/8 IN.....	4	REPLACES P/N 492586

NOTICE

Right and left side axle assemblies are identical with the exception of the brake assembly.

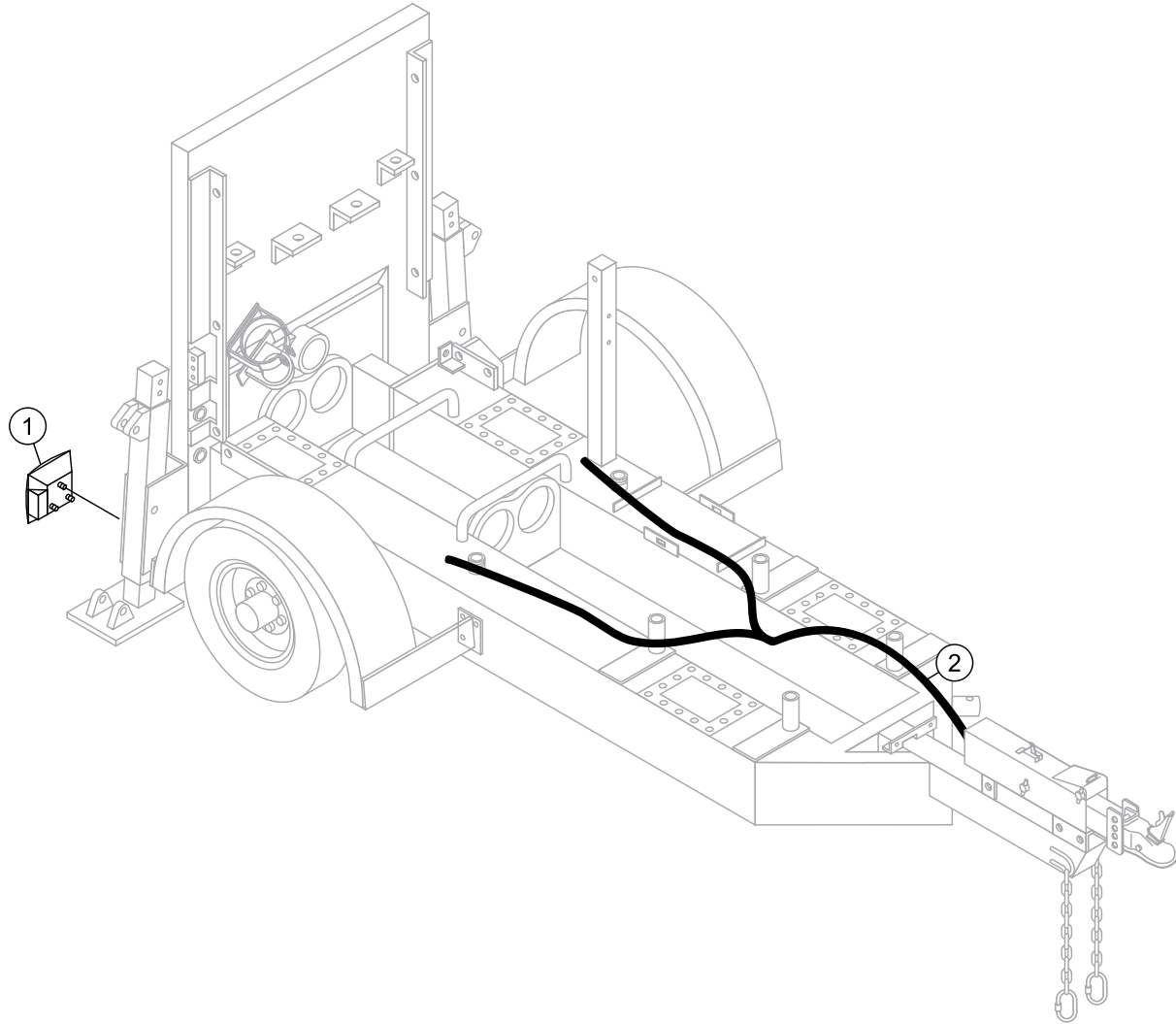
BRAKE LINE ASSY.



BRAKE LINE ASSY.

<u>NO.</u>	<u>PART NO.</u>	<u>PART NAME</u>	<u>QTY.</u>	<u>REMARKS</u>
1	34566	KIT, MAIN BRAKE LINE	1	
2	EM512877	ADAPTOR, STRAIGHT	2	
3	EM512876	ADAPTOR, ELBOW	2	
4	34565	KIT, WHEEL BRAKE LINE	1	

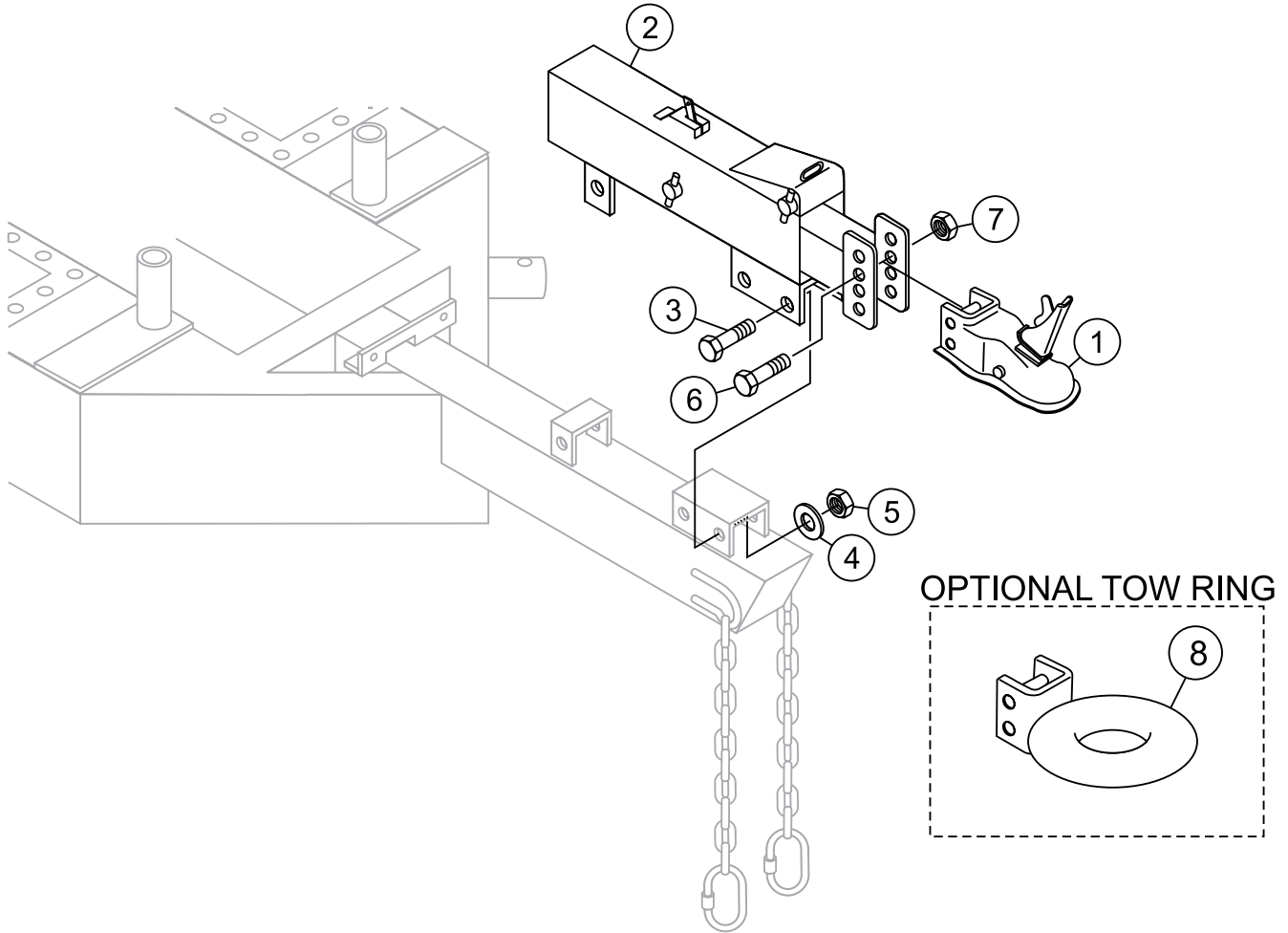
BRAKE LIGHT ASSY.



BRAKE LIGHT ASSY.

<u>NO.</u>	<u>PART NO.</u>	<u>PART NAME</u>	<u>QTY.</u>	<u>REMARKS</u>
1	29242	BRAKE LIGHT ASSEMBLY	2	
2	29207	HARNESS ASSEMBLY W/RECEPTACLES	1	

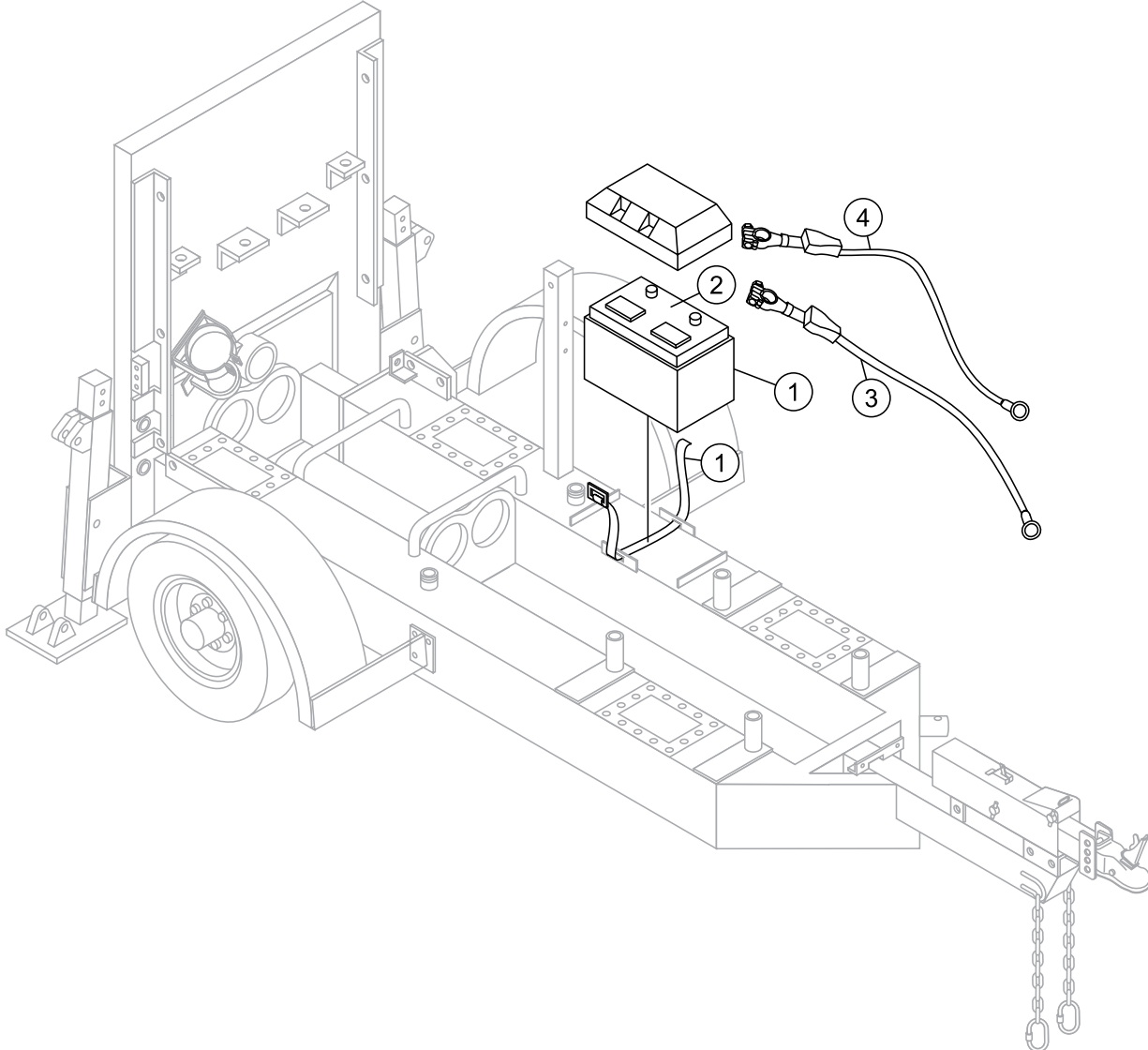
TRAILER HITCH ASSY.



TRAILER HITCH ASSY.

<u>NO.</u>	<u>PART NO.</u>	<u>PART NAME</u>	<u>QTY.</u>	<u>REMARKS</u>
1	EM29228	COUPLING, TRAILER 2 IN.BALL, 6000 LBS	1	
2	EM19067	ACTUATOR, BRAKE	1	
3	EM503111	BOLT, HEX HEAD 1/2 NC X 4-1/2 IN.	3	
4	EM492600	WASHER, FLAT 1/2 IN.	3	
5	EM492584	NUT, LOCK 1/2 IN.	3	
6	EM507658	BOLT, HEX HEAD 5/8 NC X 4-1/2 IN. G5	2	
7	EM492586	NUT, LOCK 5/8 IN.	2	
8	16137	TOW RING, 3 IN. LUNETTE EYE	1	

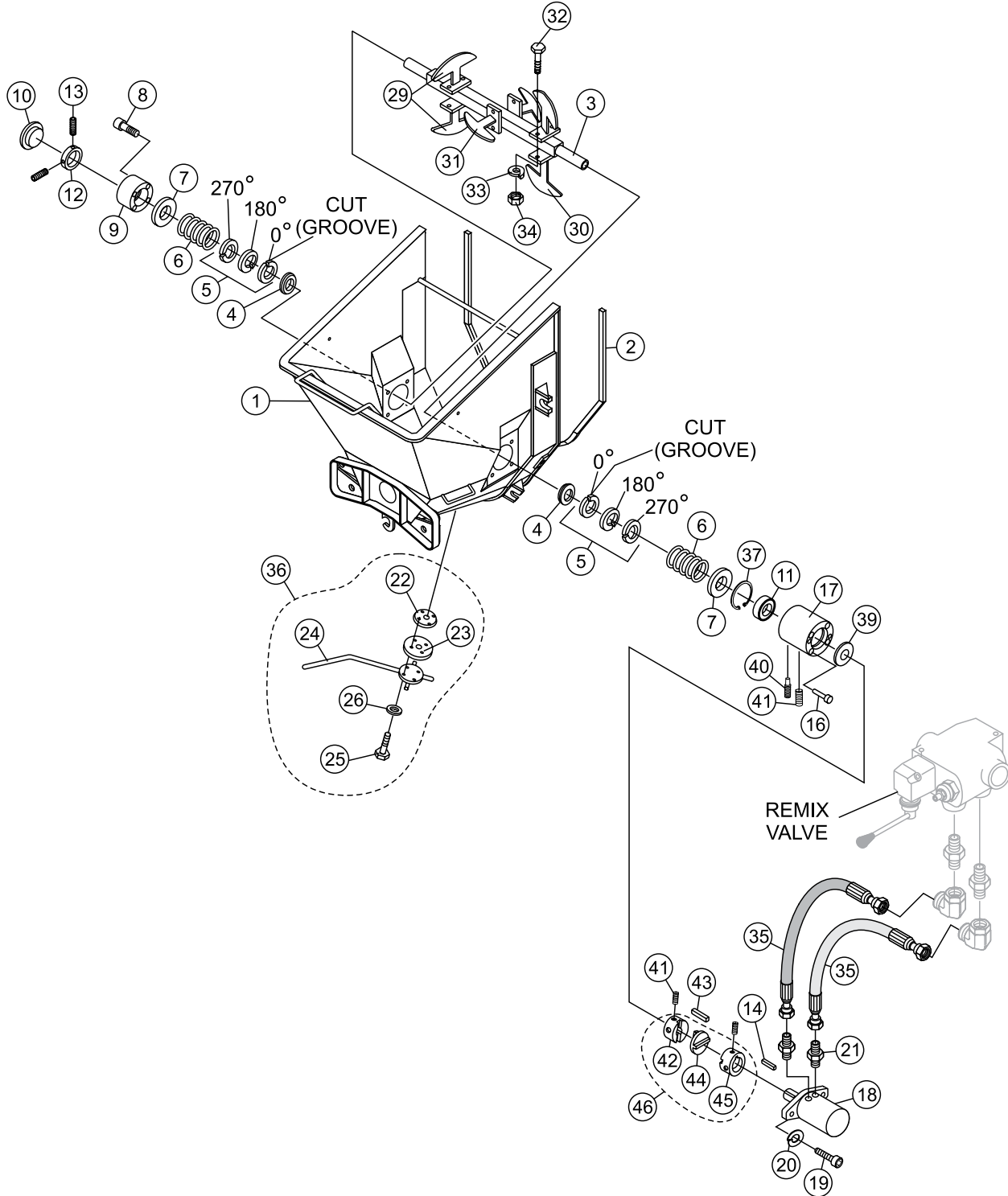
BATTERY ASSY.



BATTERY ASSY.

<u>NO.</u>	<u>PART NO.</u>	<u>PART NAME</u>	<u>QTY.</u>	<u>REMARKS</u>
1	EM34506	BATTERY BOX W/BELT	1	
2	EM16738	BATTERY 12V 125A	1	
3	514856	BATTERY CABLE POSITIVE	1	
4	513577	BATTERY CABLE NEGATIVE	1	

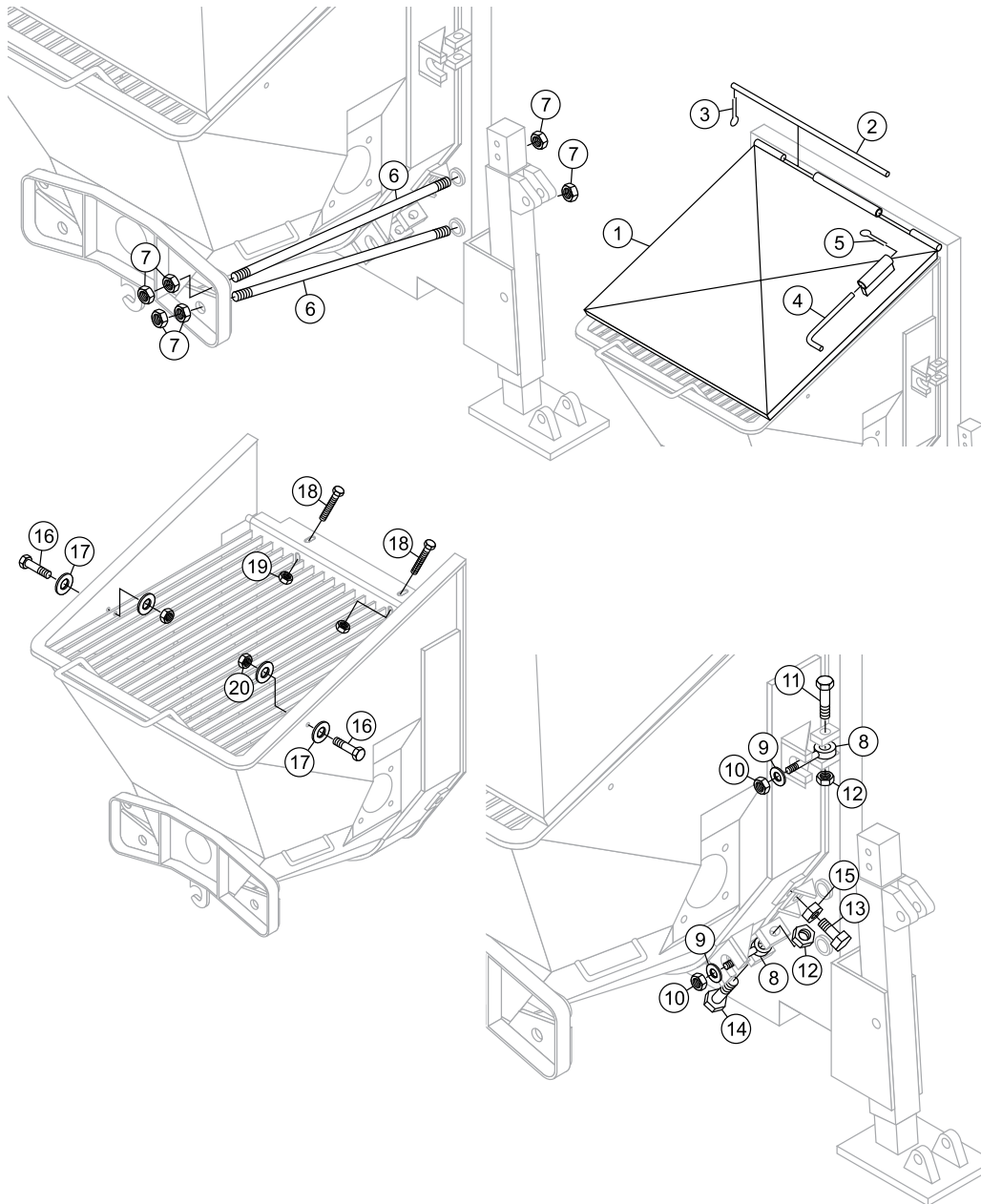
HOPPER ASSY.



HOPPER ASSY.

<u>NO.</u>	<u>PART NO.</u>	<u>PART NAME</u>	<u>QTY.</u>	<u>REMARKS</u>
1	EM515980	HOPPER ASSEMBLY	1	
2	EM16184	HOPPER SEAL	1	
3	EM516779	REMIXER SHAFT	1	
4	EM200303	FOLLOWER RING	2	
5	EM200301	GRAPHITE SEAL	6	
6	EM516820	COMPRESSION SPRING	2	
7	EM514339	HOPPER SPRING SEAT	2	
8	510717	BOLT 1/2 X 1-3/4 IN.	4	
9	EM514338	SUPPORT, LEFT	1	
10	EM514706	END CAP, SHAFT SUPPORT	1	
11	EM902153	BEARING	2	
12	EM200018	SET COLLAR	1	
13	EM703	SET SCREW.....	2	REPLACES P/N 492470
14	500264	KEY 3/8 IN.	1	
16	EM511428	BOLT 1/2 X 3-1/2 IN.	4	
17	EM516780	HOUSING	1	
18	EM98108	MOTOR, REMIX	1	
19	505989	BOLT 1/2 X 1-1/4 IN.	2	
20	6109180	WASHER, LOCK 1/2 IN.....	2	REPLACES P/N 492626
21	EM25508	ADAPTER, FITTING	2	
22	EM70860-1	PISTON CUP HOLDER	1	
23	EM50417	PISTON CUP	1	
24	EM508830	HANDLE	1	
25	492378	BOLT 3/8 X 1-3/4 IN.	4	
26	0166 A	WASHER, LOCK 3/8 IN.....	4	REPLACES P/N 492624
29	EM514031	PADDLE ARM, END	2	
30	EM514032	PADDLE ARM, MOTOR END	2	
31	EM514033	PADDLE ARM, CENTER	2	
32	513454	BOLT 1/2 X 3-1/4 IN.	6	
33	6109180	WASHER, LOCK 1/2 IN.....	6	REPLACES P/N 492626
34	492589	HEX NUT 1/2 IN.....	6	REPLACES P/N 507661
35	EM25483	HOSE	2	
36	EM70860	HANDLE ASSEMBLY	1	
37	EM515460	RETAINING RING	1	
39	516799	SPACER 6MM	1	
40	EM702	DOG POINT SET SCREW 3/8"	1	
41	EM703	SET SCREW 3/8"	3	
42%	516787	REMIX SHAFT COUPLER	1	
43	EM500264	SQUARE KEY 3/8"	1	
44%	516776	DRIVE MEMBER COUPLER	1	
45%	516775	MOTOR SHAFT COUPLER	1	
46	EM516786	COUPLER ASSEMBLY.....	1	INCLUDES ITEMS W/%

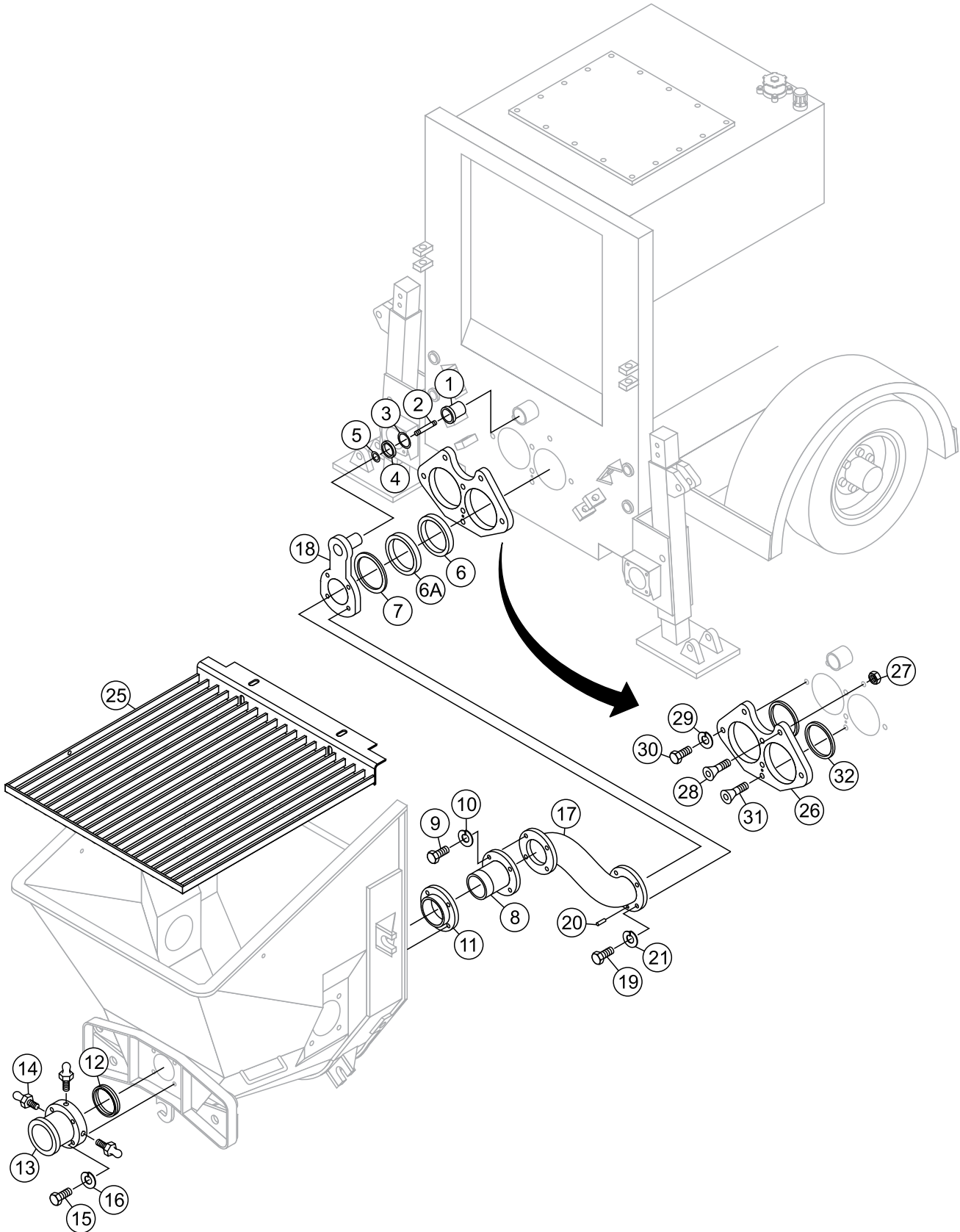
HOPPER ATTACHMENT ASSY.



HOPPER ATTACHMENT ASSY.

<u>NO.</u>	<u>PART NO.</u>	<u>PART NAME</u>	<u>QTY.</u>	<u>REMARKS</u>
1	EM514204	SPLASH PLATE	1	
2	EM514620	HINGE PIN	1	
3	EM491686	COTTER PIN 1/8 X 1-1/2 IN.	1	
4	EM70134-2	PIN, SPLASH PLATE	1	
5	EM505723	COTTER PIN 5/32 X 1-1/2 IN.	1	
6	EM16166	TIE ROD	4	
7	505728	NUT, HEX 1 IN. NC	12	
8	EM14165	EYE BOLT 3/4 IN.	4	
9	EM619	O-RING 3/4 IN.	4	
10	EM968446	NUT, HEX 3/4 IN.	4	
11	505121	BOLT 3/4 IN. X 3 IN.	4	
12	EM968446	HEX NUT 3/4 IN.	4	
13	505123	HEX BOLT 1/2 X 2-1/2 IN.	2	
14	492491	HEX BOLT 1/2 X 1-1/2 IN.	1	
15	6109160	HEX NUT 1/2 IN.....	3.....	REPLACES P/N 492556
16	492379	SCREW CAP 3/8"	2	
17	3019092	WASHER FLAT 3/8"	4	
18	515395	BOLT 7/16 NC X 4" G5	2	
19	492584	NUT LOCK 1/2"	2	
20	EM969013	NUT NYLOC	2	

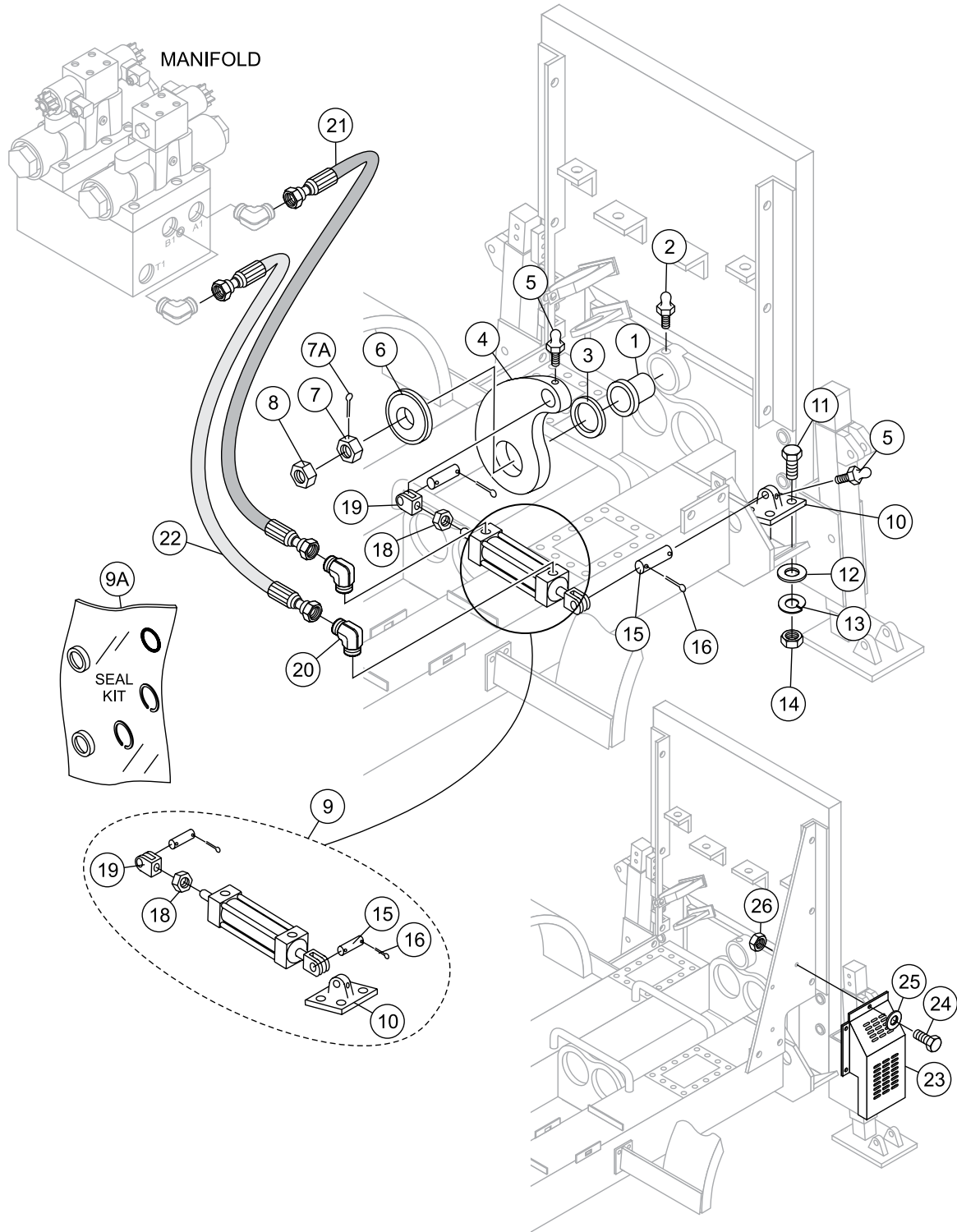
HOPPER INTERIOR ASSY.



HOPPER INTERIOR ASSY.

<u>NO.</u>	<u>PART NO.</u>	<u>PART NAME</u>	<u>QTY.</u>	<u>REMARKS</u>
1	EM16145A	SWING AXLE BUSHING	2	
2	EM284	STUD 1 IN. - 14 UNF	1	
3	EM16175	O-RING	1	
4	EM16170	RING SEAL, SHUTTLE AXLE	1	
5	EM16176	O-RING	1	
6	EM98022	WEAR RING HF	1	
6A	EM16816-1A	RING, ENERGIZER RUBBER	1	
7	EM16816-2	RING, INSERT STEEL	1	
8	EM16804	SLEEVE 5 IN	1	JUNE 2008 AND BELOW
8	EM16804A	SLEEVE 5 IN	1	JULY 2008 AND ABOVE
9	EM104	BOLT 5/8 X 2 IN.....	4	REPLACES P/N 503982
10	EM923348	WASHER, LOCK 5/8 IN.	4	
11	EM25803	DISCHARGE PLATE BEARING	1	
12	EM98065	SEAL, RUBBER	1	
13	EM512212	DISCHARGE NIPPLE	1	
14	491701	GREASE FITTING	3	
15	EM210	BOLT 5/8 X 2 IN.	6	
16	6109180	WASHER 1/2"	6	REPLACES P/N 492626
17	EM16811	SHUTTLE CYLINDER	1	
18	EM25843	NUN PLATE	1	
19	EM104	BOLT, HEX HEAD 5/8 X 2 IN.....	4	REPLACES P/N 503982
20	491719	PIN	1	
21	EM923348	WASHER, LOCK 5/8 IN.	4	
25	EM514357	HOPPER SCREEN	1	
26	EM98021	PLATE, WEAR HF	1	
27	EM969023	NUT, HEX 5/8 IN NC INS.....	2	REPLACES P/N 492586
28	EM265	BOLT, COUNTER SUNK 5/8-11 X 3 IN.	2	
29	EM923350	WASHER, LOCK 3/4 IN.....	2	REPLACES P/N EM492628
30	EM151	BOLT, HEX HEAD 3/4-10 X 2 IN.	2	
31	EM264	BOLT, COUNTER SUNK 1/2-13 X 3 IN.	2	
32	EM517700	O-RING	2	

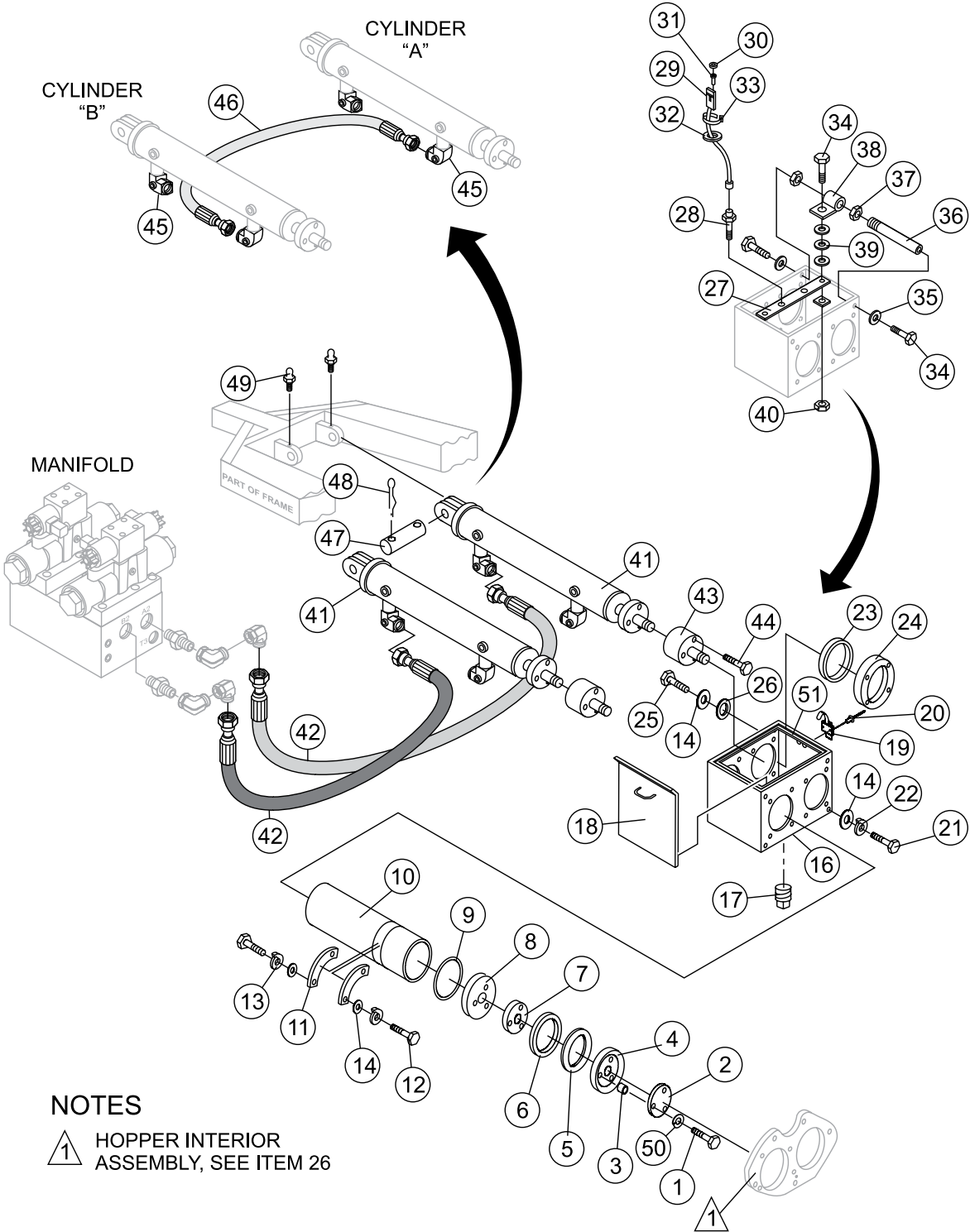
SHUTTLE CYLINDER ASSY.



SHUTTLE CYLINDER ASSY.

<u>NO.</u>	<u>PART NO.</u>	<u>PART NAME</u>	<u>QTY.</u>	<u>REMARKS</u>
1	EM16145	SWING AXLE BUSHING	2	
2	EM510684	GREASE FITTING	1	
3	EM16169	THRUST WASHER	1	
4	EM25236	SHUTTLE CRANK, SPLINED SHAFT	1	
5	EM505490	GREASE FITTING	2	
6	EM16814	TENSIONER	1	
7	EM424	HEX NUT 1 IN. 14NF	1	
7A	EM924006	COTTER PIN 5/32 X 2 IN.	1	
8	EM417	NUT 1 IN. 14NF	1	
9	EM98106	SHUTTLE CYLINDER ASSEMBLY.....	1	INCLUDES ITEMS W/*
9A	EM98106SK	SEAL KIT, SHUTTLE CYLINDER	1	
10*	EM254549	BRACKET, PIVOT	1	
11	492397	BOLT 1/2 X 2-1/2 IN.	4	
12	EM621	WASHER 1/2 IN.	4	
13	6109180	WASHER, LOCK 1/2 IN.....	2	REPLACES P/N 492626
14	492584	NUT 1/2 IN.	4	
15*	0820270000	CLEVIS PIN 3/4 IN.	2	
16*	0820270000	COTTER PIN	2	
18*	515249	JAM NUT	1	
19*	0509440000	FEMALE CLEVIS	2	
20	3322	FITTING, ELBOW	2	
21	EM514590	HOSE	1	
22	EM514591	HOSE	1	
23	517742	COVER, SHUTTLE CYLINDER	1	
24	0202	BOLT.....	3	REPLACES P/N 492364
25	EM923023	WASHER, FLAT.....	3	REPLACES P/N 492597
26	2105164	NUT, HEX.....	3	REPLACES P/N 492582

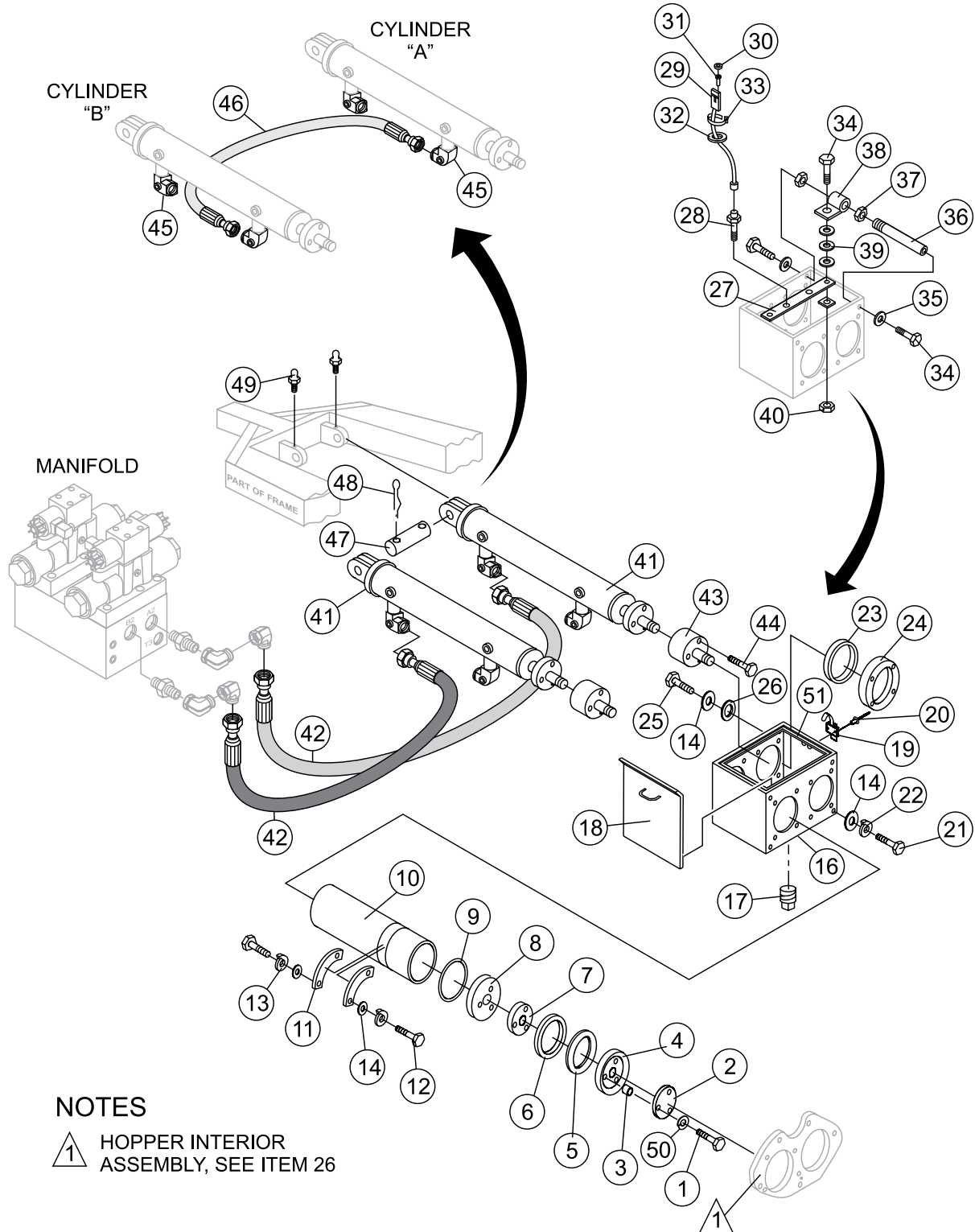
LUBRICATION PISTONS ASSY.



LUBRICATION PISTONS ASSY.

<u>NO.</u>	<u>PART NO.</u>	<u>PART NAME</u>	<u>QTY.</u>	<u>REMARKS</u>
1	EM510265	BOLT, HEX HEAD 3/8 NC X 3-1/2 IN., BLACK OXIDE G8	6	
2	EM16464	FACE PLATE	2	
3	EM16465	PISTON CUP SPACER	6	
4	EM98050	CUP, PISTON- ORANGE	2	
5	EM14408	RING, BRONZE	2	
6	EM16493	RING, FELT	2	
7	EM16462	FELT HOLDER	2	
8	EM16461	OILER PLATE	2	
9	EM14407	O- RING, OILER PLATE	2	
10	EM25801	CYLINDER, CONCRETE	2	
11	EM25110	RETAINER, CYLINDER	4	
12	EM963610	BOLT, 3/8 NC X 1.3/4 IN. G5	8.....	REPLACES P/N 492375
13	0166 A	WASHER, LOCK 3/8 IN.	8.....	REPLACES P/N 492624
14	3019092	WASHER, FLAT 3/8 IN.	22.....	REPLACES P/N 492598
16	EM514197	LUBRICATION BOX	1	
17	EM507895	PLUG	1	
18	EM515796	COVER, LUBRICATION BOX	1	
19	EM514610	LATCH, COVER	1	
20	491754	RIVET, AM-66	2	
21	492378	BOLT, 3/8 NC X 1.3/4 IN. G5	6	
22	0166 A	WASHER, LOCK 3/8".	6.....	REPLACES P/N 492624
23	EM274351	SEAL LUBE BOX	2	
24	EM50425	FLANGE, RING	2	
25	492451	BOLT 3/8 - 24 X 1 IN. HEX HEAD	8	
26	EM50443	SEAL, OIL BOX	8	
27	514208	BAR, PROXIMITY SWITCH SUPPORT	1	
28	EM98163	SWITCH, PROXIMITY W/CABLE	2	
29	EM98135	CABLE HOUSING, FEMALE	2	
30	EM98134	SEAL, CONNECTOR HOUSING	6	
31	EM98138	TERMINAL PIN, FEMALE	6	
32	514611	GROMMET	2	
33	504505	WRAP TIE	8	

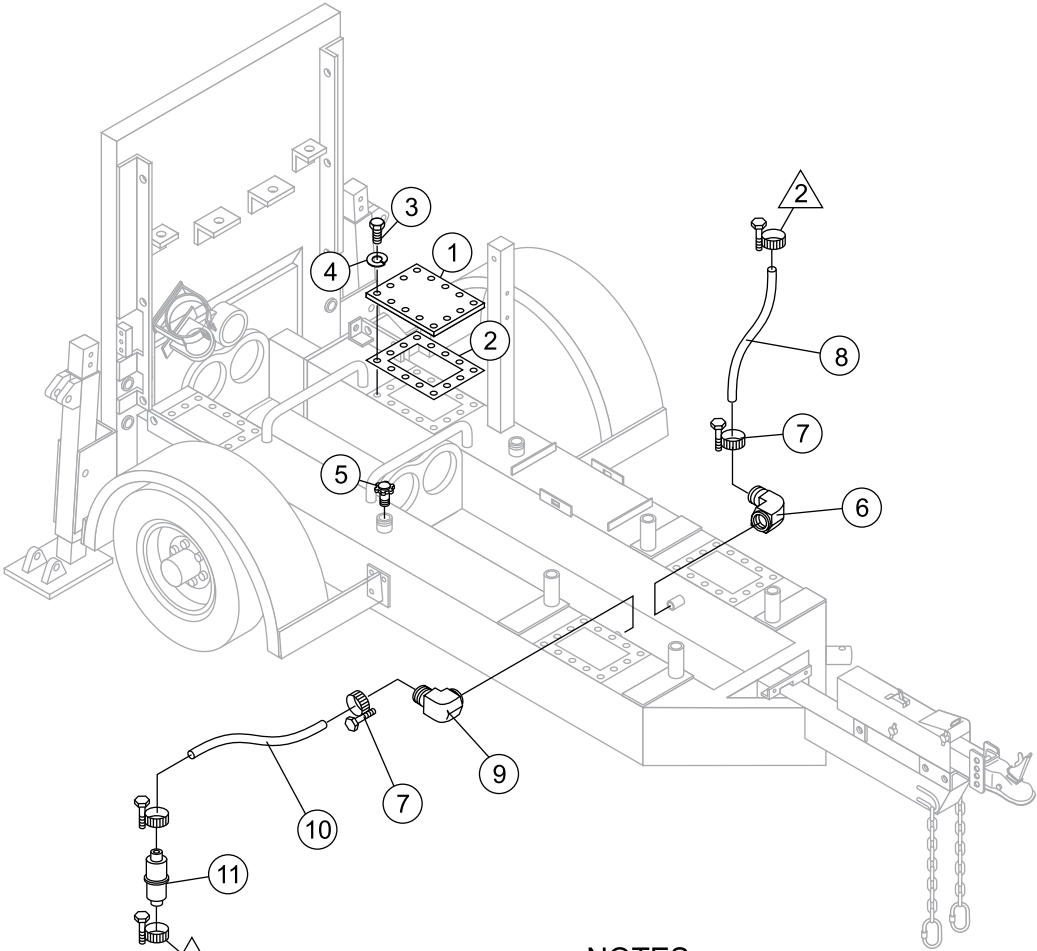
LUBRICATION PISTONS ASSY. (CONT'D.)



LUBRICATION PISTONS ASSY. (CONT'D.)

<u>NO.</u>	<u>PART NO.</u>	<u>PART NAME</u>	<u>QTY.</u>	<u>REMARKS</u>
34	492366	BOLT, HEX HEAD 5/16 NC X 1 IN. G5	6	
35	EM492623	WASHER, LOCK 5/16 IN.	4	
36	EM514216	ADJUSTMENT ROD, PROXIMITY SWITCH	2	
37	EM492556	NUT, HEX 1/2 IN.	4	
38	EM514207	BRACKET, ADJUSTMENT ROD	2	
39	EM492597	WASHER, FLAT 5/16 IN.	6	
40	EM492582	NUT, HEX HEAD 5/16 IN	2	
41	EM98211	CYLINDER, MAIN	2	
42	EM514920	HOSE, MAIN HYD. CYLINDER	2	
43	EM514202	EXTENSION, SPACER	2	
44	EM185	BOLT, SOCKET HEAD 3/8 NC X 3 IN., BLACK OXIDE G8	6	
45	EM25497	FITTING, 90°	4	
46	EM25474	HOSE, HYDRAULIC SLAVE	1	
47	EM16459	PIN, WRIST	2	
48	EM505723	PIN, COTTER	4	
49	EM491701	FITTING, GREASE	2	
50	EM517126	LOCK WASHER	6	
51	EM513352	SEAL, SQUARE	1	

FUEL TANK ASSY.



NOTES

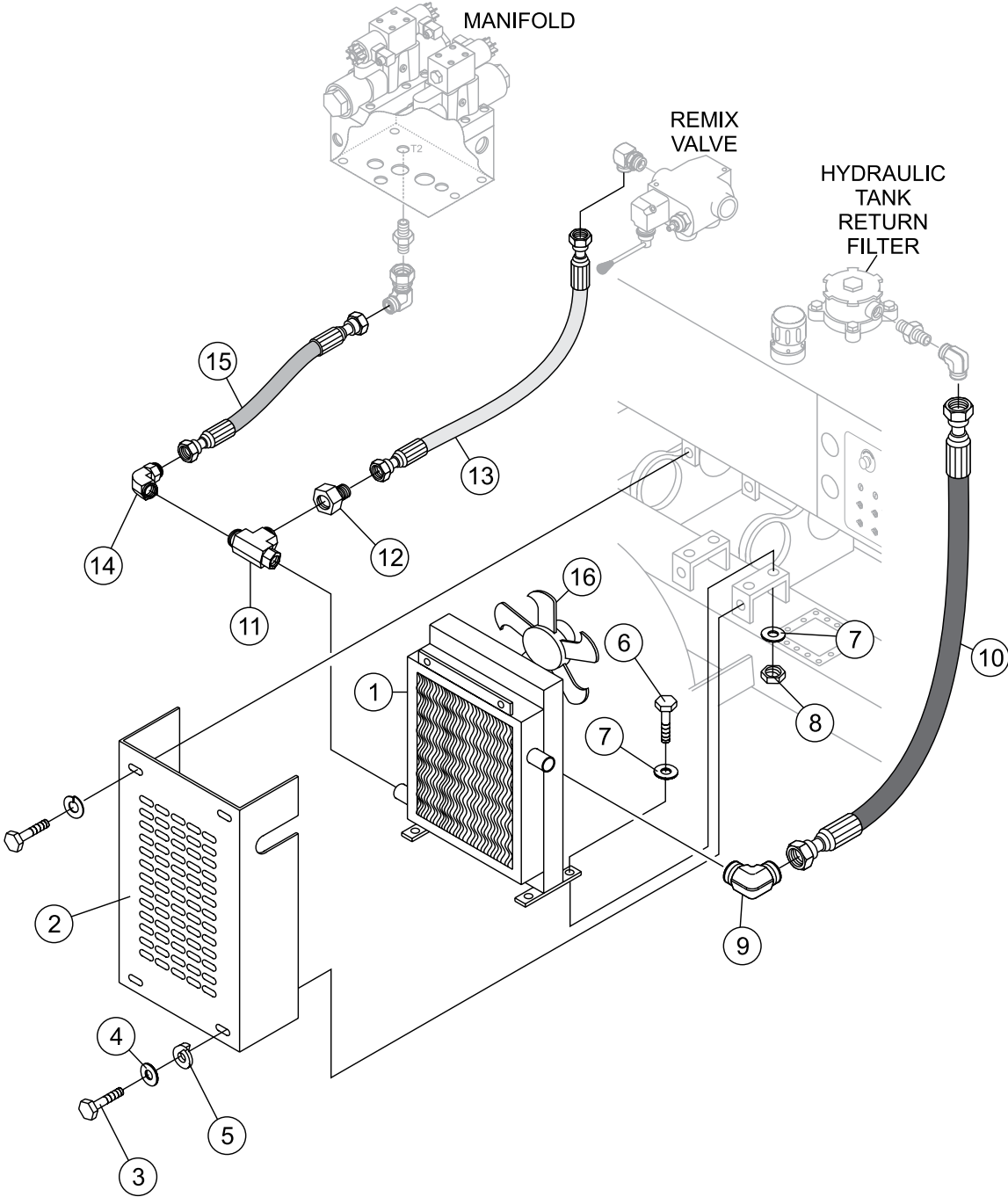
△ 1 CONNECT TO FILTER INLET HOSE WATER SEPARATOR ASSY., NOTE 1

△ 2 CONNECT TO FILTER OUTLET HOSE WATER SEPARATOR ASSY., NOTE 2

FUEL TANK ASSY.

<u>NO.</u>	<u>PART NO.</u>	<u>PART NAME</u>	<u>QTY.</u>	<u>REMARKS</u>
1	EM514084	COVER, DIESEL TANK	4	
2	514080	GASKET	4	
3	492362	BOLT 5/16 X 5/8 IN.	56	
4	EM923343	WASHER, LOCK 5/16 IN.....	56.....	REPLACES P/N 492623
5	34507	CAP, FUEL W/GAUGE	1	
6	EM514559	ADAPTOR	1	
7	506208	CLAMP	5	
8	EM514536	HOSE, FUEL RETURN 5/16 IN.	A/R	
9	EM20426	ADAPTER	1	
10	EM514536	HOSE, FUEL FILTER 5/16 IN.	A/R	
11	EM20763	FILTER, FUEL	1	

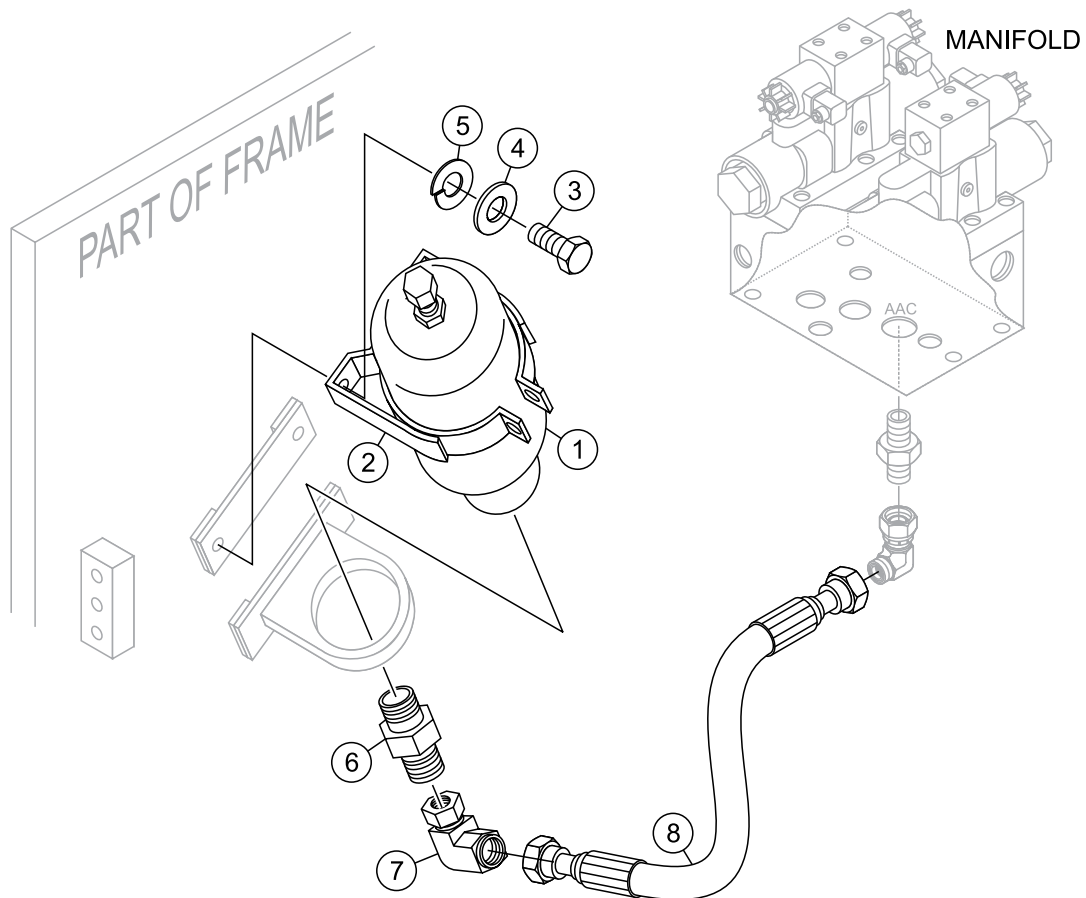
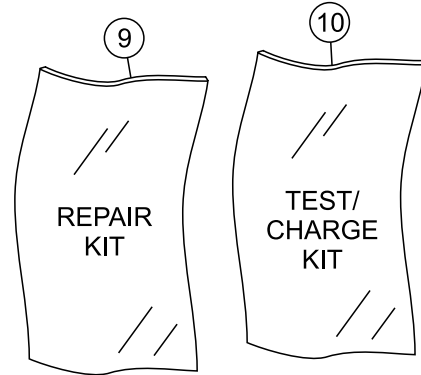
HEAT EXCHANGER ASSY.



HEAT EXCHANGER ASSY.

<u>NO.</u>	<u>PART NO.</u>	<u>PART NAME</u>	<u>QTY.</u>	<u>REMARKS</u>
1	EM98118	HEAT EXCHANGER ASSEMBLY	1	
2	EM514175	COVER, HEAT EXCHANGER	1	
3	EM963610	BOLT 3/8 IN. X 1 IN.	4	REPLACES P/N 492375
4	3019092	O-RING 3/8 IN.	4	REPLACES P/N 492598
5	0166 A	WASHER, LOCK 3/8 IN.	4	REPLACES P/N 492624
6	0202	BOLT 5/16 X 1 IN.	4	REPLACES P/N 492364
7	EM923023	WASHER, FLAT 5/16 IN.	8	REPLACES P/N 492597
8	2105164	NUT 5/16 IN.	4	REPLACES P/N 492582
9	EM25497	ADAPTER	1	
10	EM514607	HOSE 4000 PSI	1	
11	EM25566	ADAPTER	1	
12	EM509345	ADAPTER	1	
13	EM514606	HOSE 2000 PSI	1	
14	EM509401	ADAPTER	1	
15	EM514604	HOSE, 2000 PSI	1	
16	EM98264	MOTOR AND FAN ASSEMBLY	1	

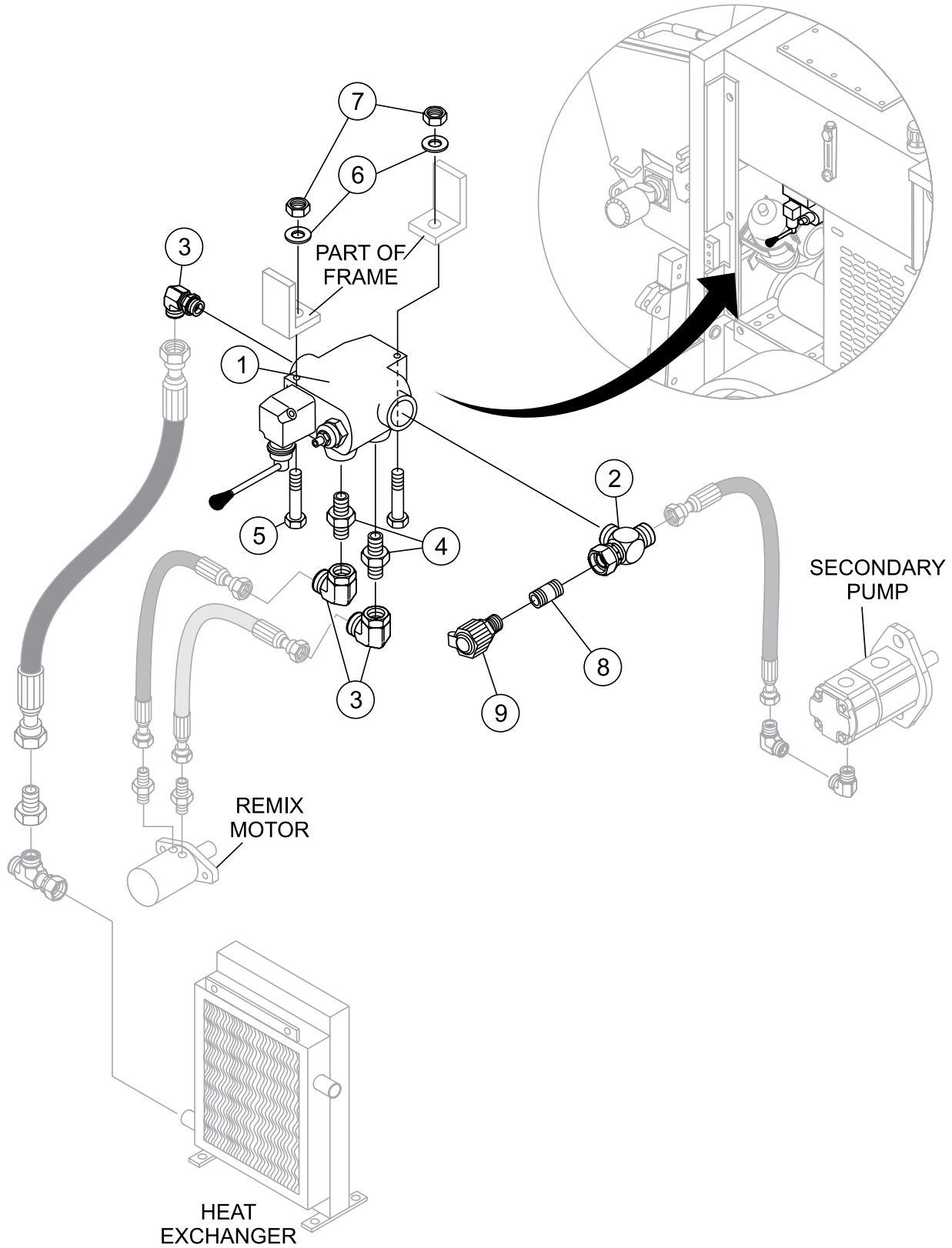
ACCUMULATOR ASSY.



ACCUMULATOR ASSY.

<u>NO.</u>	<u>PART NO.</u>	<u>PART NAME</u>	<u>QTY.</u>	<u>REMARKS</u>
1	EM97015	ACCUMULATOR 1 GAL.	1	
2	EM97016	BRACKET, ACCUMULATOR	1	
3	EM9603055	BOLT, HHCS 3/8 IN. DIA.	2	
4	3019092	WASHER, FLAT 3/8 IN.	2	
5	0166 A	WASHER, LOCK 3/8 IN. DIA.	2	
6	EM509425	FITTING, STRAIGHT	1	
7	EM509353	FITTING, 90° ELBOW	1	
8	EM514603	HOSE, ACCUMULATOR	1	
9	EM98009	ACCUMULATOR REPAIR KIT	1	
10	EM98052	ACCUMULATOR TEST/CHARGE KIT	1	

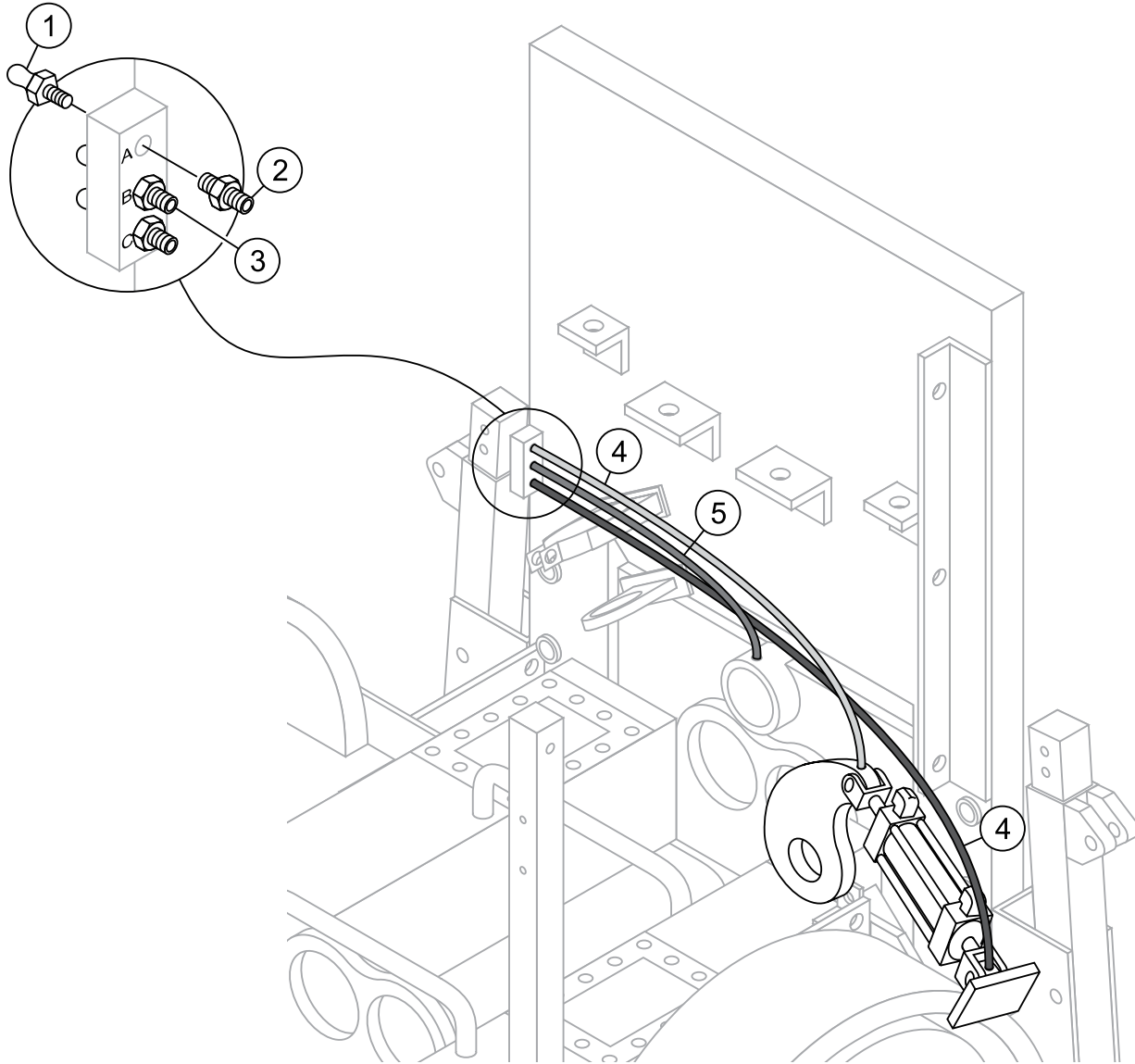
REMIXER CONTROL ASSY.



REMIXER CONTROL ASSY.

<u>NO.</u>	<u>PART NO.</u>	<u>PART NAME</u>	<u>QTY.</u>	<u>REMARKS</u>
1	EM25495	VALVE REMIXER W/LEVER	1	
2	515384	ADAPTER FITTING, T	1	
3	506195	ADAPTER FITTING, 90° ELBOW	1	
4	EM25509	ADAPTER FITTING, STRAIGHT	2	
5	EM218	BOLT 5/16 X 2-1/2 IN.	2	
6	EM923343	WASHER, LOCK 5/16 IN.....	2	REPLACES P/N 492623
7	2105164	NUT, HEX 5/16 IN.....	2	REPLACES P/N 492553
8	EM98015	COUPLING	1	
9	EM98014	TEST PORT	1	

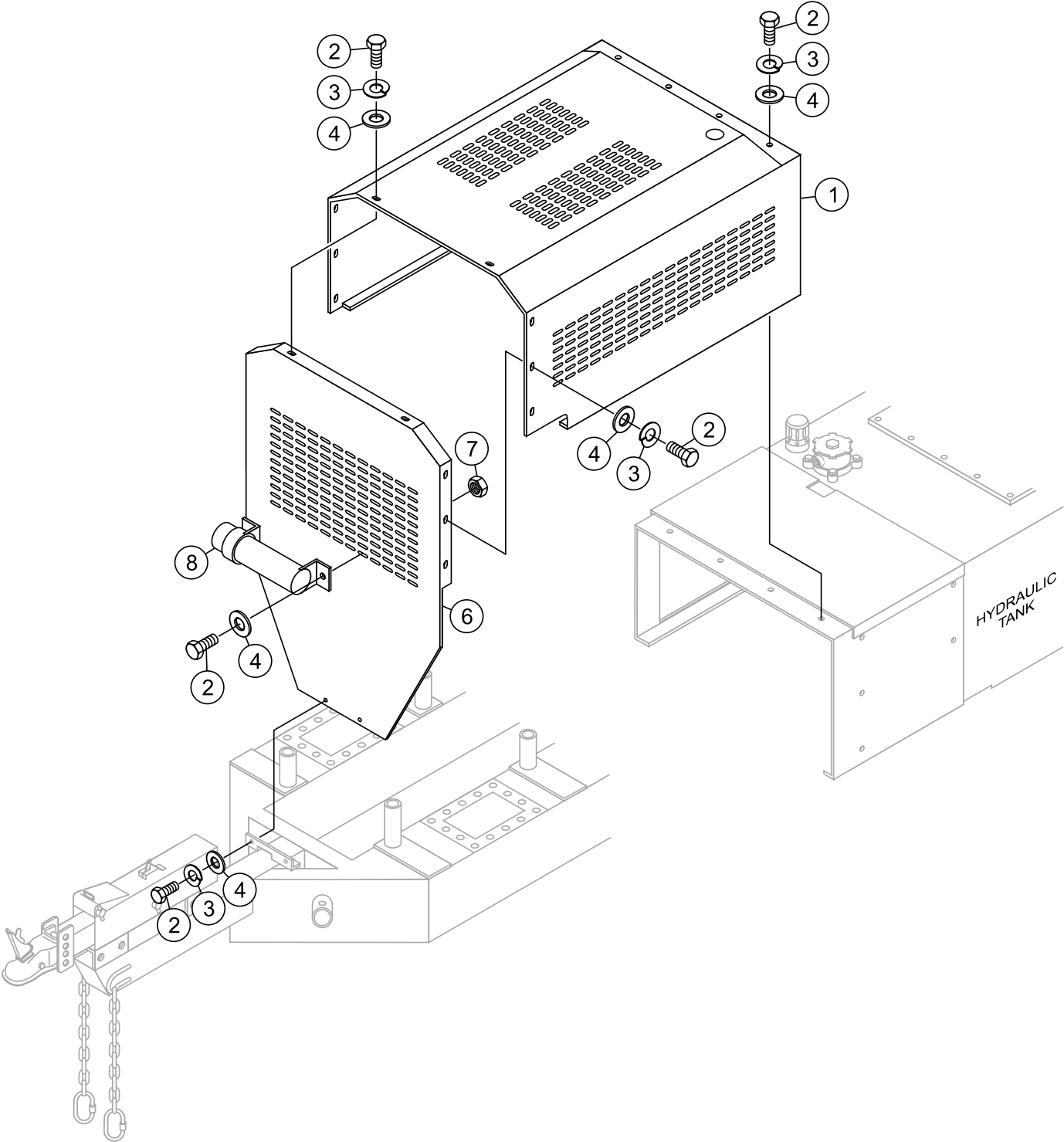
LUBRICATION PANEL ASSY.



LUBRICATION PANEL ASSY.

<u>NO.</u>	<u>PART NO.</u>	<u>PART NAME</u>	<u>QTY.</u>	<u>REMARKS</u>
1	EM491701	GREASE FITTING	3	
2	EM508812	CONNECTOR	2	
3	EM510684	CONNECTOR	3	
4	EM505516	HOSE, PLASTIC	A/R	
5	EM510487	HOSE, STEEL	1	

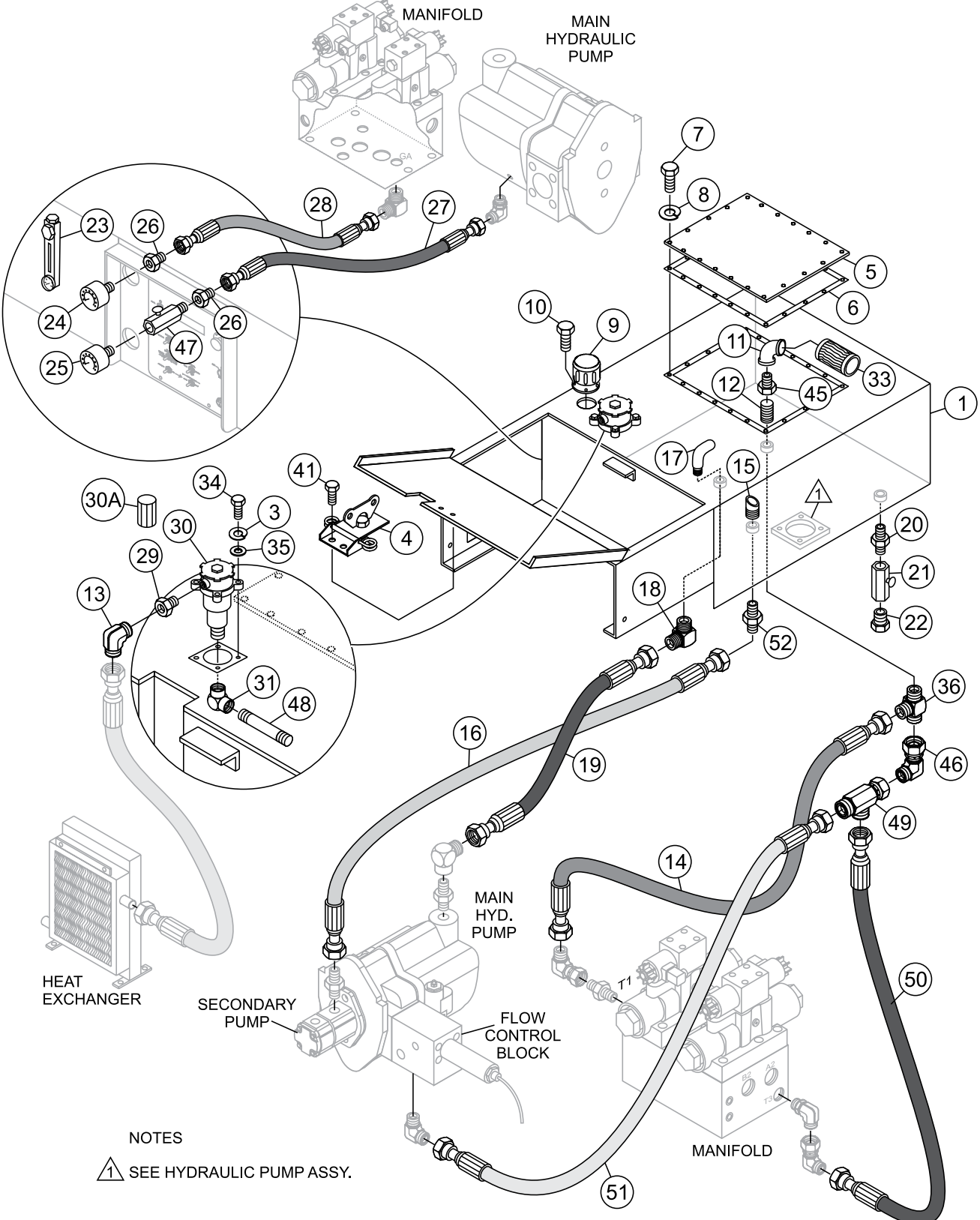
ENGINE COVER ASSY.



ENGINE COVER ASSY.

<u>NO.</u>	<u>PART NO.</u>	<u>PART NAME</u>	<u>QTY.</u>	<u>REMARKS</u>
1	EM517737	COVER, TOP	1	
2	492356	BOLT 1/4" NC X 3/4" G5	16	
3	EM923057	LOCK WASHER 1/4 IN.....	14.....	REPLACES P/N 492596
4	2101402	WASHER 1/4 IN.....	16.....	REPLACES P/N 492622
6	EM517730	COVER, FRONT ENGINE	1	
7	492541	NUT 5/16" NC G2	2	
8	TK6737260	DOCUMENT BOX	1	

HYDRAULIC TANK ASSY.



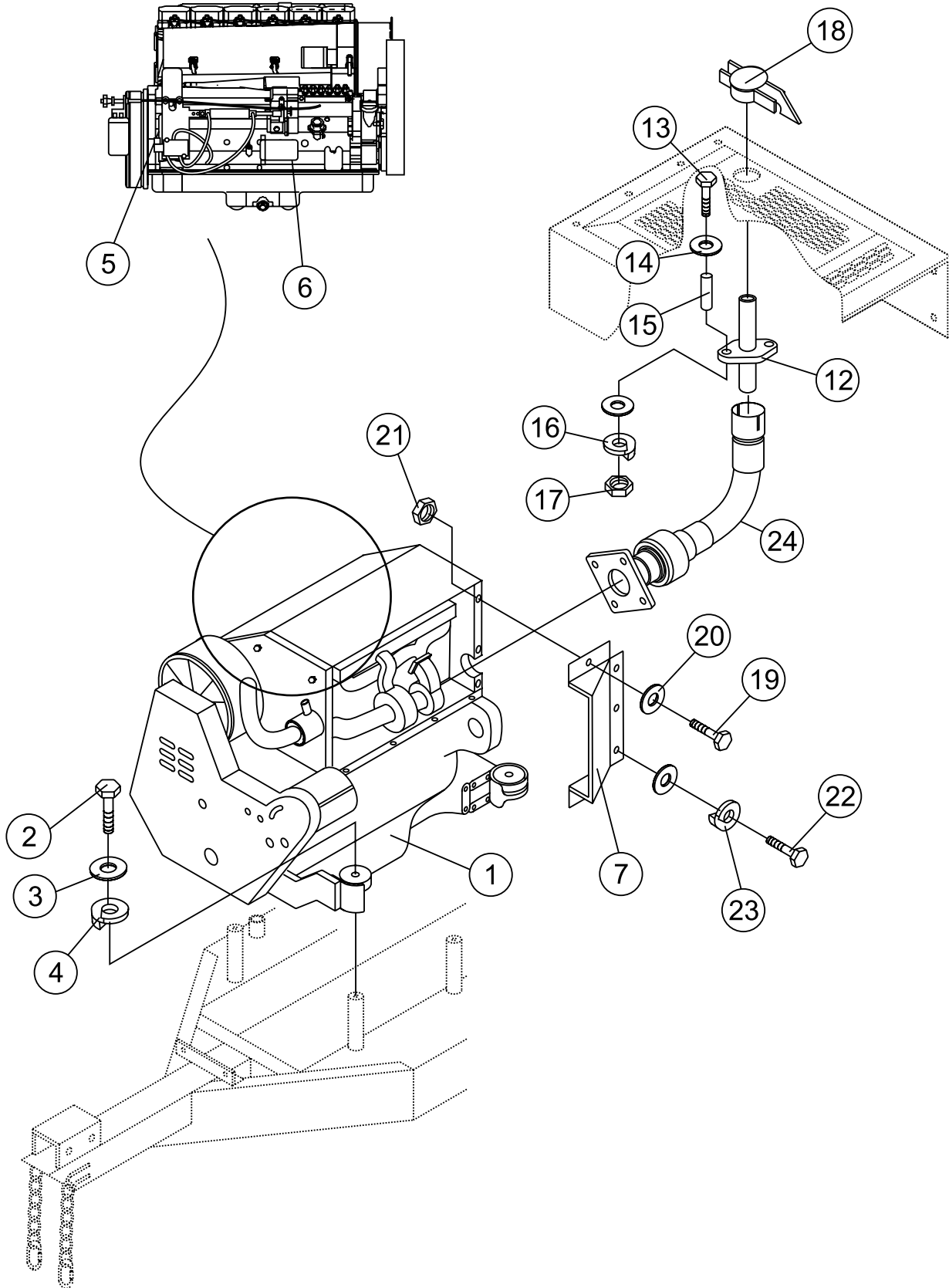
NOTES

⚠ SEE HYDRAULIC PUMP ASSY.

HYDRAULIC TANK ASSY.

<u>NO.</u>	<u>PART NO.</u>	<u>PART NAME</u>	<u>QTY.</u>	<u>REMARKS</u>
1	514040	HYDRAULIC TANK, LS-S	1	
3	0166 A	LOCK, WASHER 3/8 IN.....	4	REPLACES P/N 492624
4	EM517295	LATCH	1	
5	EM251191	TANK COVER PLATE	1	
6	EM25184	RESERVOIR GASKET	1	
7	492362	BOLT 5/16 X 5/8 IN.	20	
8	EM923343	WASHER, LOCK 5/16 IN.....	20	REPLACES P/N 492623
9	EM98263	CAP ASSEMBLY	1	
10	492267	BOLT 3/16 X 5/8 IN.	6	
11	16433	TUBE	1	
12	EM491189	FITTING	1	
13	EM18436	90° MALE ADAPTER 2103-16-16	1	
14	EM514605	HOSE	1	
15	EM514622	FITTING 1 IN.	1	
16	EM514597	HOSE	1	
17	EM491164	ELBOW, 3/4 IN.	1	
18	509784	ADAPTER	1	
19	517002	HOSE	1	
20	EM509369	STRAIGHT MALE ADAPTOR , 0101-08-08	1	
21	491237	VALVE 1/2 IN.	1	
22	506094	CAP 1/2 IN.	1	
23	EM98188	GAUGE, LEVEL & TEMP.....	1	REPLACES P/N EM16478
24	EM97066	GAUGE 3000PSI, ACCUMULATOR	1	
25	EM97067	GAUGE 5000 PSI, MAIN	1	
26	EM25523	ADAPTER	2	
27	EM509517	HOSE, 4000 PSI MAIN GAUGE	1	
28	EM514602	HOSE, 4000 PSI ACCUMULATOR GAUGE	1	
29	EM16517	STRAIGHT MALE ADAPTER 0102-24-16	1	
30	EM98112A	FILTER RETURN ASSEMBLY	1	S/N 281101 AND BELOW
30A	EM98275	ELEMENT, RETURN FILTER	1	S/N 281102 AND ABOVE
31	516814 90°	FITTING	1	
33	EM16513	DIFFUSER	1	
34	492376	BOLT 3/8 X 1-1/4 IN.	4	
35	492598	WASHER, FLAT 3/8 IN.	4	
36	509343	TEE FITTING	1	
41	TBD	BOLT	2	
45	516813	BUSHING	1	
46	409401	ADAPTOR 3903-16-16	1	
47	EM16414	VALVE NEEDLE	1	
48	16516	PIPE 1-1/2"	1	S/N 281101 AND BELOW
49	509344	ADAPTOR 063T-16-16	1	
50	514604	HOSE	1	
51	514604	HOSE	1	
52	517029	FITTING, STRAIGHT	1	

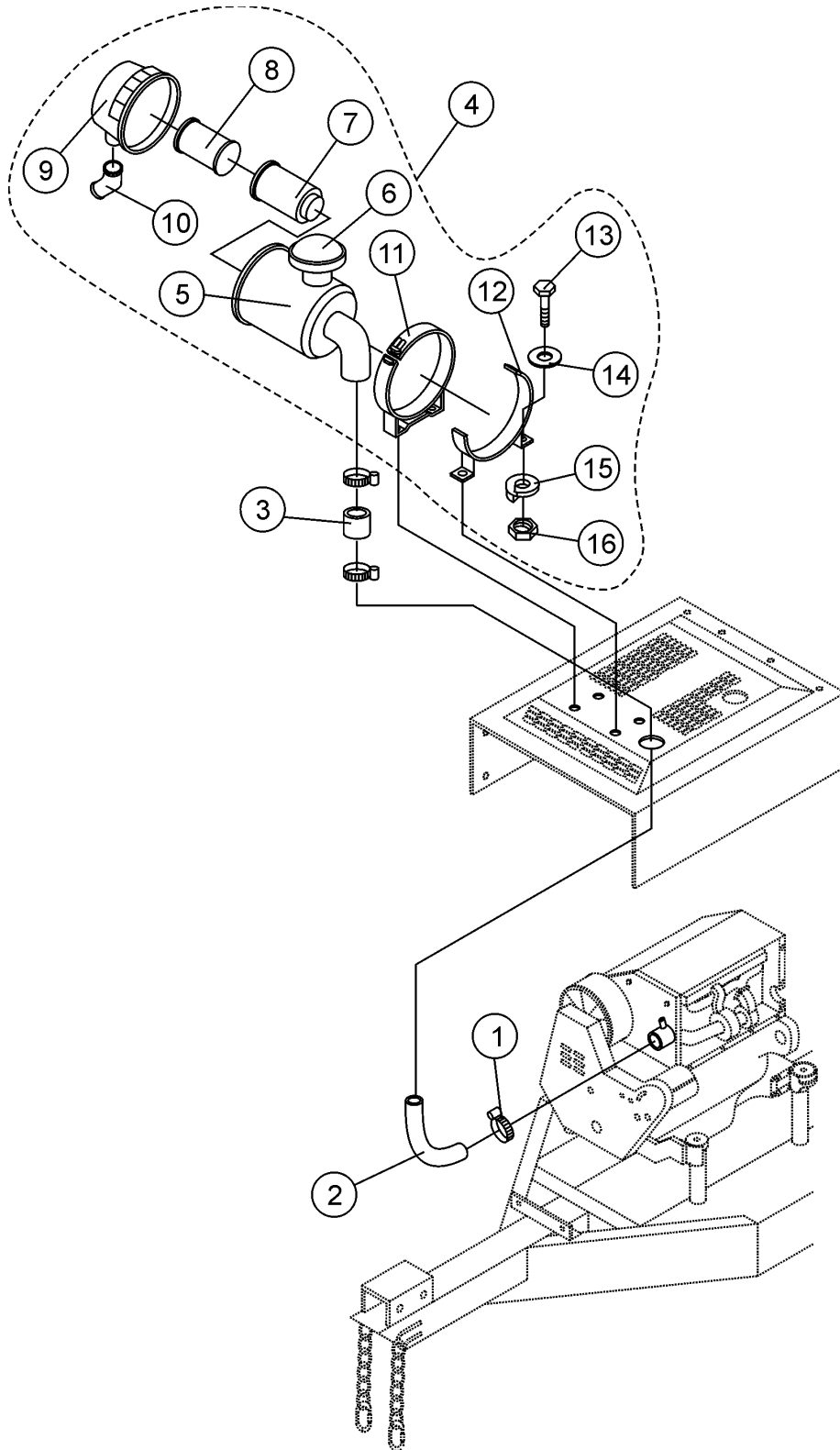
ENGINE ASSY.



ENGINE ASSY.

<u>NO.</u>	<u>PART NO.</u>	<u>PART NAME</u>	<u>QTY.</u>	<u>REMARKS</u>
1	EM98197	ENGINE, DEUTZ TURBO 110 HP BF4L914	1	
2	492401	BOLT 1/2 IN. X 4 FT.	4	
3	6109170	WASHER, FLAT 1/2 IN.	4	REPLACES P/N 492600
4	6109180	WASHER, LOCK 1/2 IN.	4	REPLACES P/N 492626
5	01174416	FILTER, OIL (ENGINE)	1	
6	01174696	FILTER, FUEL (ENGINE)	1	
7	EM513776	DEFLECTOR	1	
12	EM514633	REDUCTION TUBE, EXHAUST	1	
13	492371	BOLT 5/16 NC X 3 IN. G5	2	
14	EM923023	WASHER, FLAT 5/16 IN.	4	REPLACES P/N 492597
15	EM514714	SPACER, EXHAUST	2	
16	EM923343	WASHER, LOCK 5/16 IN.	2	REPLACES P/N 492623
17	2105164	HEX NUT, 5/16 IN. G5	2	REPLACES P/N 492553
18	EM510897	CAP, EXHAUST 2-1/2 IN.	1	
19	0202	BOLT 5/16 X 1 IN.	2	REPLACES P/N 492364
20	EM923023	WASHER, FLAT 5/16 IN.	7	REPLACES P/N 492597
21	2105164	NUT, HEX 5/16 IN.	3	REPLACES P/N 492582
22	EM506886	BOLT M8 X 20 X 1-1/4 IN.	3	
23	EM923343	WASHER, LOCK 5/16 IN.	4	REPLACES P/N 492623
24	EM516435	PIPE, EXHAUST	1	

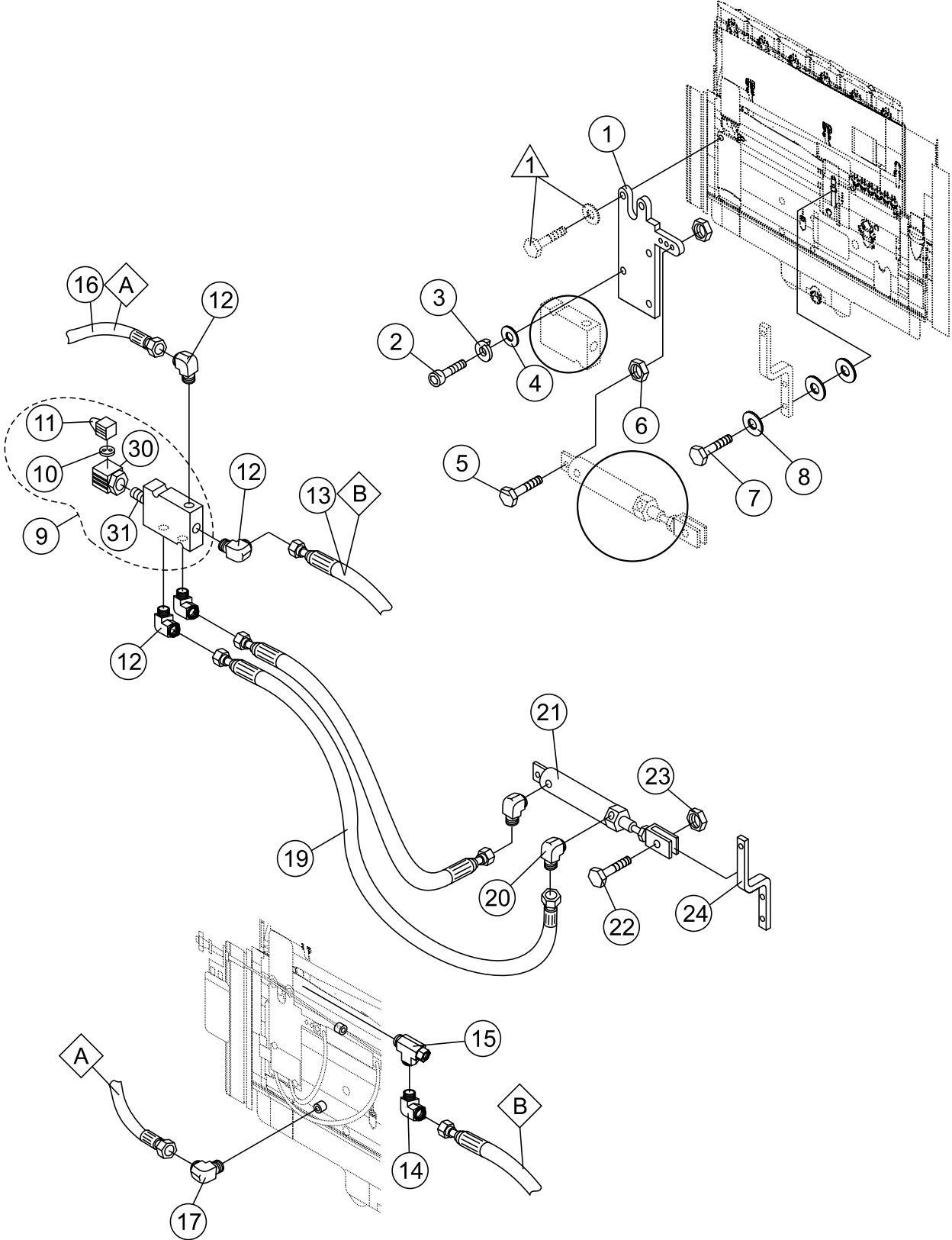
ENGINE AIR FILTER ASSY.



ENGINE AIR FILTER ASSY.

<u>NO.</u>	<u>PART NO.</u>	<u>PART NAME</u>	<u>QTY.</u>	<u>REMARKS</u>
1	EM493108	CLAMP	3	
2	513227	AIR FILTER HOSE 3-1/2 IN.	.5	
3	EM514367	TUBE AIR FILTER UNION	1	
4	EM98093	AIR CLEANER ASSEMBLY	1.....	INCLUDES ITEMS W/*
5*		FILTER, AIR	1.....	NOT SOLD SEPARATELY
6*	EM98207	CAP, RAIN	1	
7*	EM98093P	ELEMENT, PRIMARY	1	
8*	EM98093S	ELEMENT, SECONDARY	1	
9*		HOOD, AIR CLEANER	1.....	NOT SOLD SEPARATELY
10*		DUST EJECTOR.....	1.....	NOT SOLD SEPARATELY
11*		ADJUSTABLE SUPPORT, AIR FILTER	1.....	NOT SOLD SEPARATELY
12*		SUPPORT, AIR FILTER	1.....	NOT SOLD SEPARATELY
13*	492357	BOLT, HEX HEAD 1/4 X 1 IN.	4	
14*	EM923057	WASHER, FLAT 1/4 IN.	8.....	REPLACES P/N 492596
15*	TBD	WASHER, LOCK 1/4 IN.	4	
16*	492581	NUT, HEX 1/4 IN.	4	

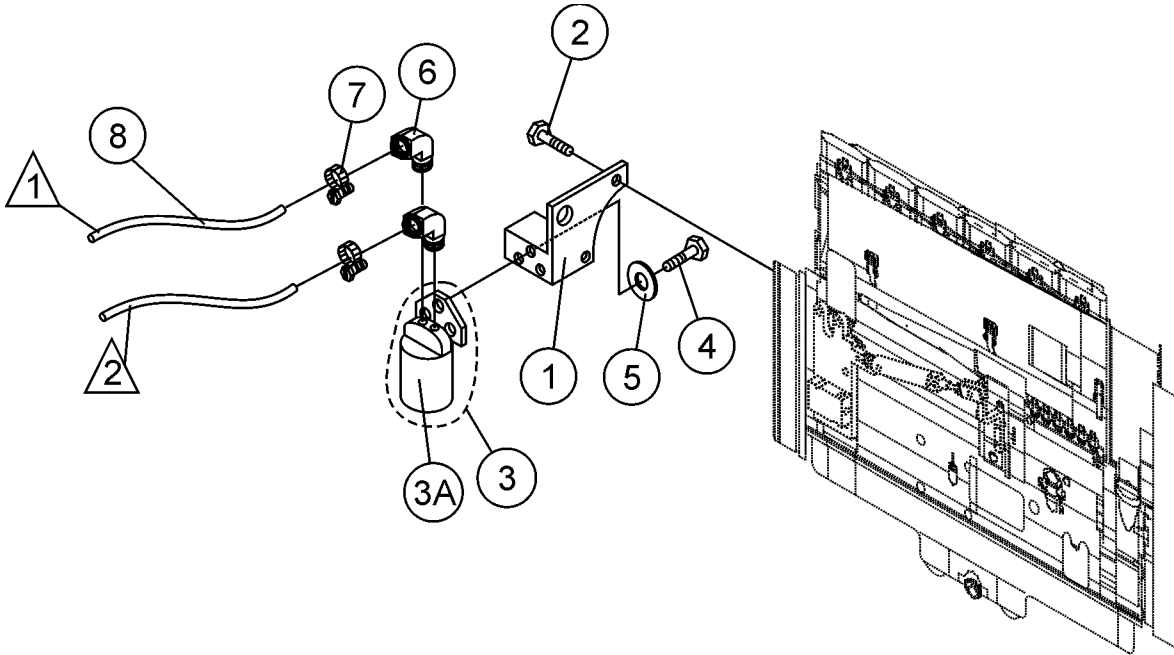
THROTTLE ASSY.





THROTTLE ASSY.

<u>NO.</u>	<u>PART NO.</u>	<u>PART NAME</u>	<u>QTY.</u>	<u>REMARKS</u>
1	EM512837	SUPPORT BASE, ACCELERATOR	1	
2	EM492358	BOLT 1/4 X 1-1/4	2	
3	2101402	WASHER 1/4 IN.....	2.....	REPLACES P/N 492622
4	EM923057	LOCK WASHER 1/4 IN.....	2.....	REPLACES P/N 492596
5	512185	BOLT 1/4 X 1-3/4 IN.	1	
6	492581	HEX NUT 1/4 IN.	2	
7	EM506599	BOLT M6 X 15	2	
8	492622	WASHER, FLAT 1/4 IN.	4	
9	EM98168	THROTTLE BLOCK COUPLING	1.....	INCLUDES ITEMS W/*
10*	EM98167	SEAL CONNECTOR	1	
11*	EM98166	CONNECTOR, DIN PG9	1	
12	EM25429	ELBOW ADAPTER 90° MALE	4	
13	EM509937	HOSE, HYDRAULIC COMPENSATOR	1	
14	EM25577	ELBOW ADAPTER IN.T IN.	1	
15	EM50449	ELBOW ADAPTER 90 DEG. MALE	2	
16	TBD	HOSE	1	
17	TBD	FITTING	1	
19	EM509366	HOSE 13.75 IN. LONG	2	
20	EM50449	ELBOW ADAPTER 90° MALE	2	
21	EMCC700	HYDRAULIC CYLINDER	1	
22	492357	BOLT 1/4 IN. X 1 IN.	1	
23	492581	NUT 1/4 IN.	1	
24	515822	BRACKET, ACCELERATOR	1	
30	EM98228	COIL, 12V	1	
31	EM98232	CARTRIDGE VALVE	1	

WATER SEPARATOR ASSY.



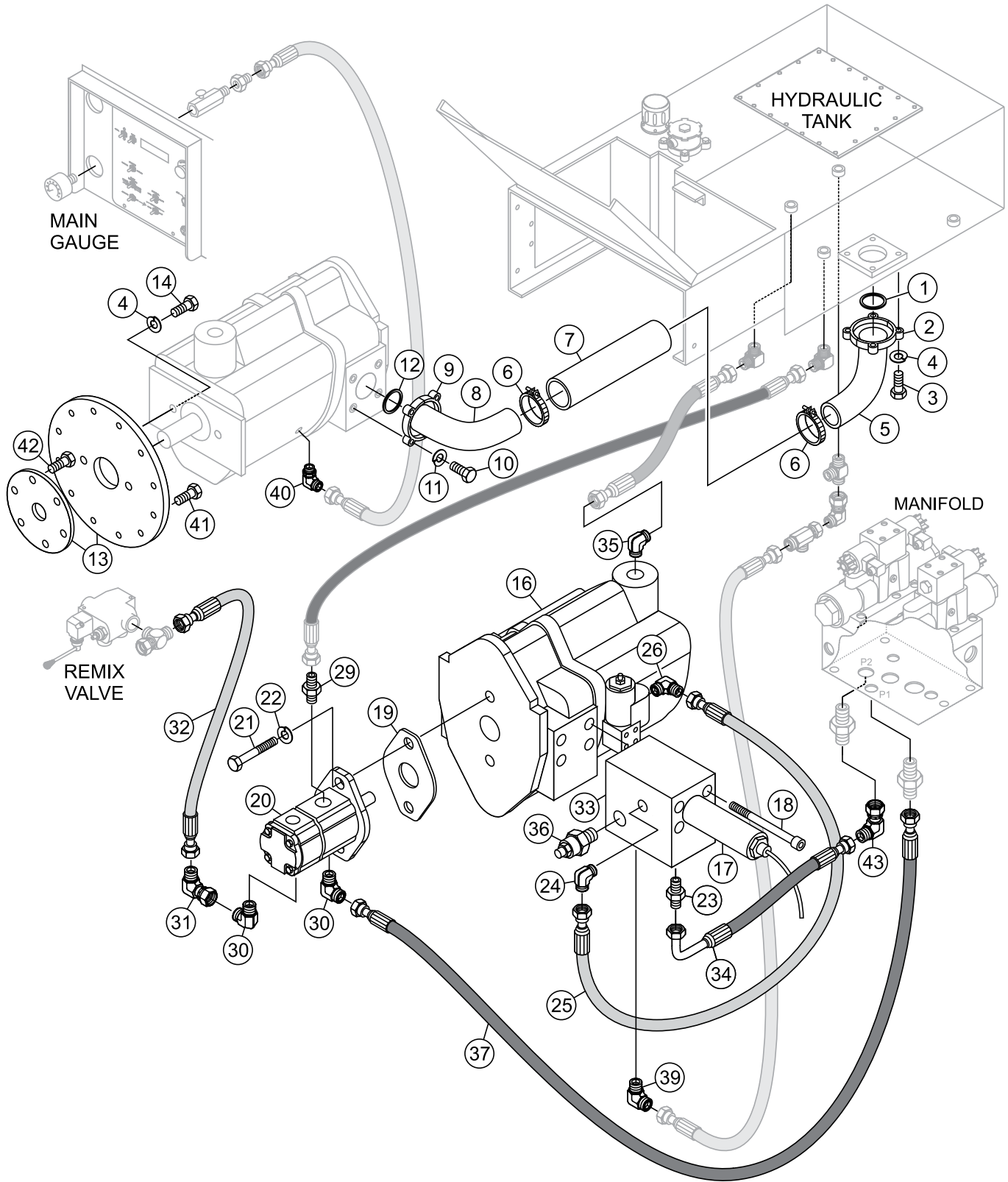
NOTES

-  CONNECT TO FUEL FILTER
FUEL TANK ASSY., ITEM 11
-  CONNECT TO FUEL RETURN HOSE
FUEL TANK ASSY., ITEM 8

WATER SEPARATOR ASSY.

<u>NO.</u>	<u>PART NO.</u>	<u>PART NAME</u>	<u>QTY.</u>	<u>REMARKS</u>
1	EM509449	BRACKET, WATER SEPERATOR	1	
2	EM492356	BOLT	2	
3	EM16747	WATER SEPERATOR ASSEMBLY.....	1.....	INCLUDES ITEM W/\$
3A\$	EM167472	CARTRIDGE, WATER SEPERATOR	1.....	REPLACES P/N P53712
4	EM492356	BOLT 5/16 X 1 IN.	3	
5	2105164	HEX NUT 5/16 IN.....	3.....	REPLACES P/N 492582
6	C514559	ELBOW ADAPTER 90° MALE	2	
7	EM506208	CLAMP, HOSE	2	
8	EM514536	HOSE 5/16 IN.	TBD	

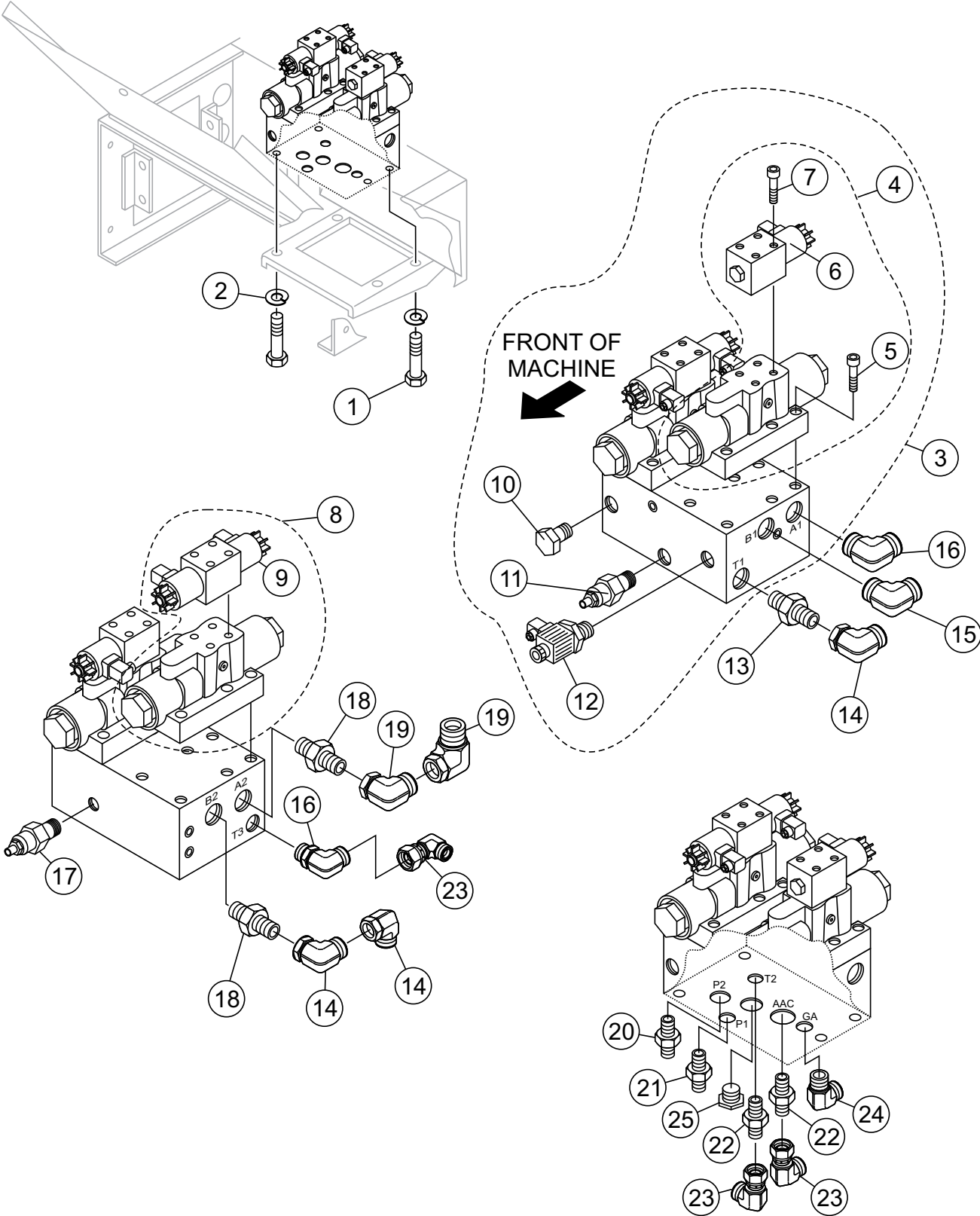
HYDRAULIC PUMP ASSY.



HYDRAULIC PUMP ASSY.

<u>NO.</u>	<u>PART NO.</u>	<u>PART NAME</u>	<u>QTY.</u>	<u>REMARKS</u>
1*	TBD	O-RING	1	
2	EM514719	FLANGE, SUCTION PIPE	2	INCLUDES ITEM W/*
3	EM492444	BOLT 1/2 X 1-1/4 IN.	4	
4	6109180	WASHER, LOCK 1/2 IN.....	6	REPLACES P/N 492626
5	EM514718	SUCTION PIPE ADAPTER, 40 SPECIAL	1	
6	EM515207	CLAMP 2 IN.	2	
7	EM514623	HOSE, SUCTION 2 IN.	1	
8	EM514627	ADAPTER, SUCTION PIPE 32	1	
9	EM514628	FLANGE, SUCTION PIPE	1	INCLUDES ITEMS W/%
10	EM510902	BOLT 1/2 X 1-1/2 IN.	4	
11	6109180	WASHER, LOCK 1/2 IN.....	4	REPLACES P/N 492626
12%		O-RING	1	
13	EM516777	COUPLER, ENGINE ASSEMBLY	1	
14	EM510902	BOLT 1/2 X 1-1/2 IN.	2	
16	EM98257	PUMP, MAIN 100CC, PARKER P1-100 SERIES	1	
17	EM98273	FLOW CONTROL VALVE, MOTORIZED	1	
18\$	511428	SCREW ALLEN HEAD 1/2-13X3	4	
19	EM16190	GASKET	1	
20	EM98107	PUMP, SECONDARY	1	
21	EM963610	BOLT 3/8 X 1 IN.....	2	REPLACES P/N 492375
22	0166 A	WASHER, LOCK 3/8 IN.....	2	REPLACES P/N 492624
23	EM509796	STRAIGHT ADAPTER	1	
24	EM25429	ELBOW ADAPTER	1	
25	516875	HOSE, 4000 PSI SENSOR	1	
26	EM25429	ELBOW ADAPTER	1	
29	EM25498	STRAIGHT ADAPTER	1	
30	EM16524	ELBOW ADAPTER 90° MALE	2	
31	506200	ELBOW ADAPTER	1	
32	EM514601	HOSE 2000 PSI, REMIX VALVE	1	
33	EM517650	FLOW CONTROL MANIFOLD ASSEMBLY W/PARKER P1-100 PUMP.....	1	INCLUDES ITEMS W/\$
34	EM517032	HOSE, MAIN MANIFOLD	1	
35	EM25459	ELBOW	1	
36\$	TBD	VALVE, MAIN RELIEF	1	
37	EM514608	HOSE	1	
39	EM25459	ELBOW	1	
40	EM25429	ELBOW ADAPTER	1	
41	54812	SCREW ALLEN HEAD CAP	10	REPLACES P/N EM162
42	EM506611	BOLT	8	
43	EM517149	FITTING 90°	1	

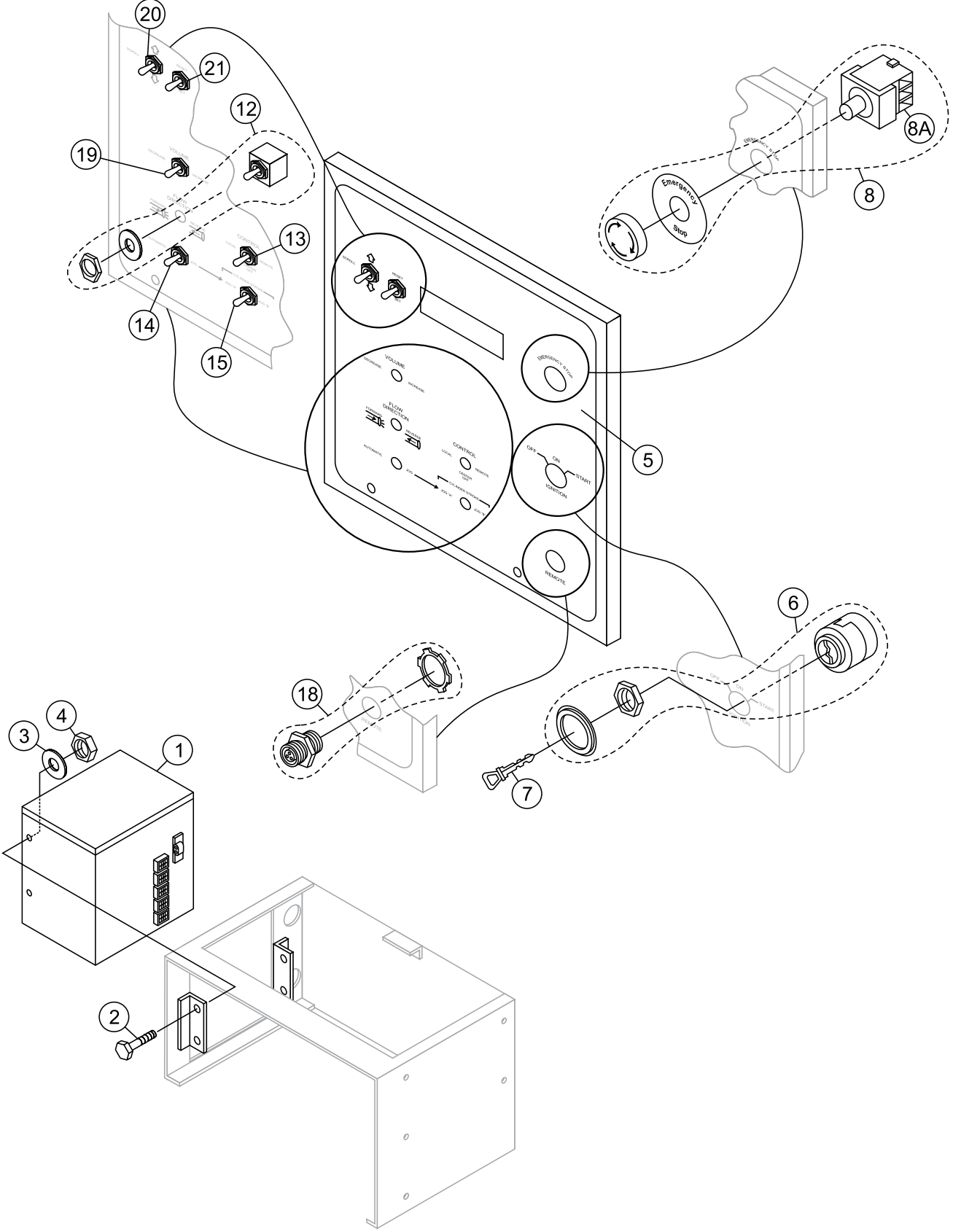
MANIFOLD ASSY.



MANIFOLD ASSY.

<u>NO.</u>	<u>PART NO.</u>	<u>PART NAME</u>	<u>QTY.</u>	<u>REMARKS</u>
1	EM963102	BOLT 1/2 X 1-1/4 IN.....	4.....	REPLACES P/N 492393
2	6109180	WASHER, LOCK 1/2 IN.....	4.....	REPLACES P/N 492626
3	EM98261	MANIFOLD ASSY. COMPLETE.....	1.....	REPLACES P/N EM98109 INCLUDES ITEMS W/%
4%	EM98220	CYCLING VALVE, SWING W/PILOTS.....	1.....	INCLUDES ITEMS W/#
5%#	EMBK227	BOLT, SHCS 1/2" X 2-1/4"	12	
6%#	EM98223	PILOT VALVE, SHUTTLE	1	
7%#	EMBK2097	BOLT, SHCS 1/2" X 1-1/4"	8	
8%	EM98221	CYCLING VALVE, MAIN.....	1.....	INCLUDES ITEM W/&
9%&	EM98222	PILOT VALVE, MAIN CYLINDER	1	
10%	EM98227	CHECK VALVE	1	
11%	EM98224	MAIN RELIEF VALVE	1.....	DISCONTINUED MAY 2007
12%	EM98307	ACCUMULATOR UNLOADER CARTRIDGE ASSY.	1	
13	EM25498	ADAPTER	1	
14	EM509401	ADAPTER	3	
15	EM514488	ADAPTER	1	
16	EM25459	ADAPTER	2	
17	EM98226	UNLOADING RELIEF VALVE, SHUTTLE	1	
18	EM514231	ADAPTER	2	
19	EM14489	ADAPTER.....	3.....	MAY 2007 AND BELOW
19	EM514489	ADAPTER.....	2.....	JUNE 2007 AND ABOVE
20	EM509796	ADAPTER	1	
21	506193	ADAPTER	1	
22	EM25462	ADAPTER	2	
23	EM509353	ADAPTER	3	
24	EM25429	ADAPTER	1	
25	EM98227	CHECK VALVE	1	

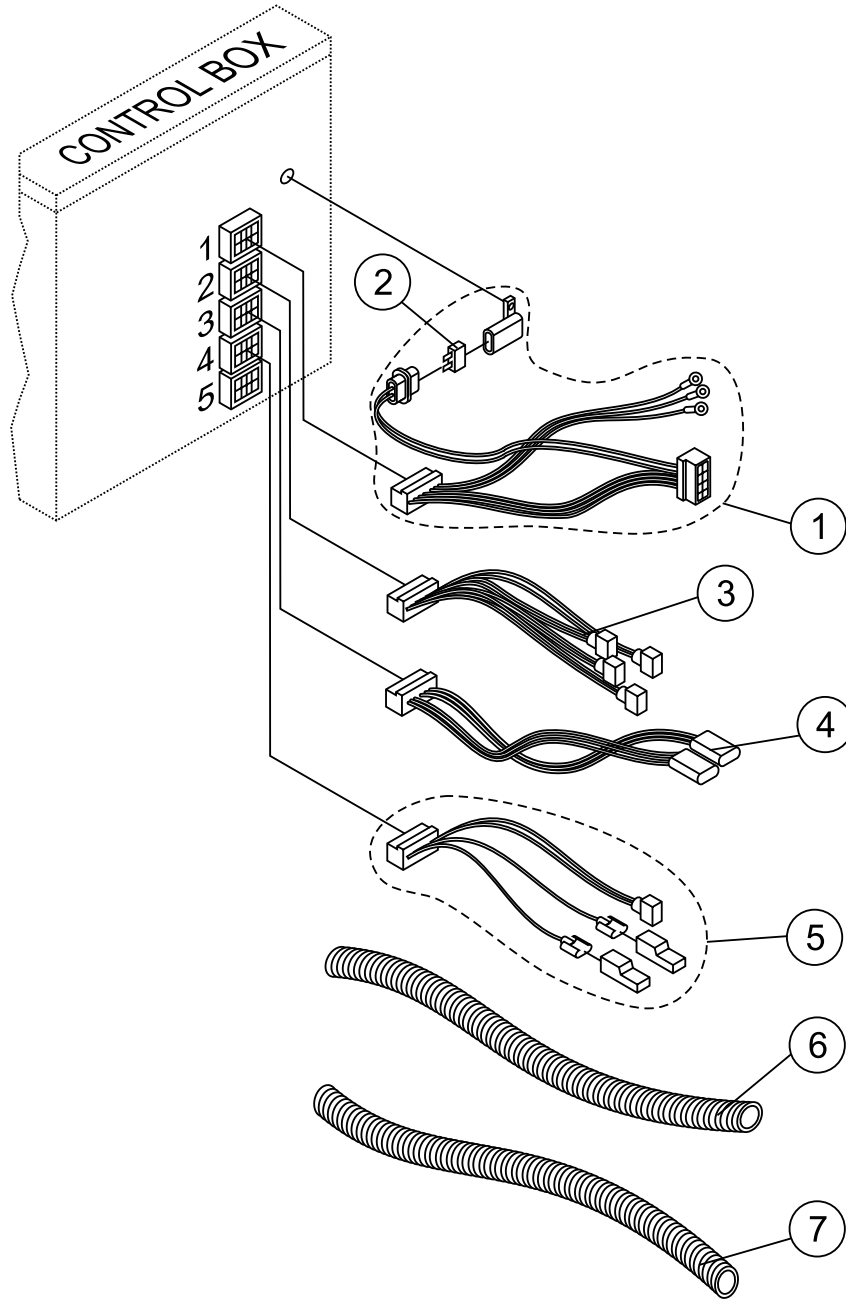
CONTROL BOX ASSY.



CONTROL BOX ASSY.

<u>NO.</u>	<u>PART NO.</u>	<u>PART NAME</u>	<u>QTY.</u>	<u>REMARKS</u>
1		CONTROL BOX ASSEMBLY	1.....	CONTACT FACTORY
2	0202	BOLT 5/16 X 1 IN.....	4.....	REPLACES P/N 492364
3	EM923023	WASHER, FLAT 5/16 IN.	4.....	REPLACES P/N 492597
4	2105164	NUT 5/16 IN.....	4.....	REPLACES P/N 492582
5	TBD	OVERLAY, CONTROL PANEL	1	
6	EM98206	IGNITION SWITCH ASSEMBLY	1	
7	EM98206K	KEY, IGNITION	1	
8	EM517177	EMERGENCY STOP SWITCH ASSEMBLY	1	
8A	EM517186	CONTACT BLOCKS, EMERGENCY SWITCH	3	
12	EM98120	FLOW DIRECTION SWITCH ASSEMBLY	1	
13	EM98119	MAIN CONTROL SWITCH ASSEMBLY	1	
14	EM98121	AUTO/JOG SWITCH ASSEMBLY	1	
15	EM98122	JOG A/B SWITCH ASSEMBLY	1	
18	EM97068	RECEPTACLE, REMOTE	1	
19	TBD	VOLUME SWITCH ASSEMBLY	1	
20	TBD	SCROLL SWITCH ASSEMBLY	1	
21	TBD	RESET SWITCH ASSEMBLY	1	

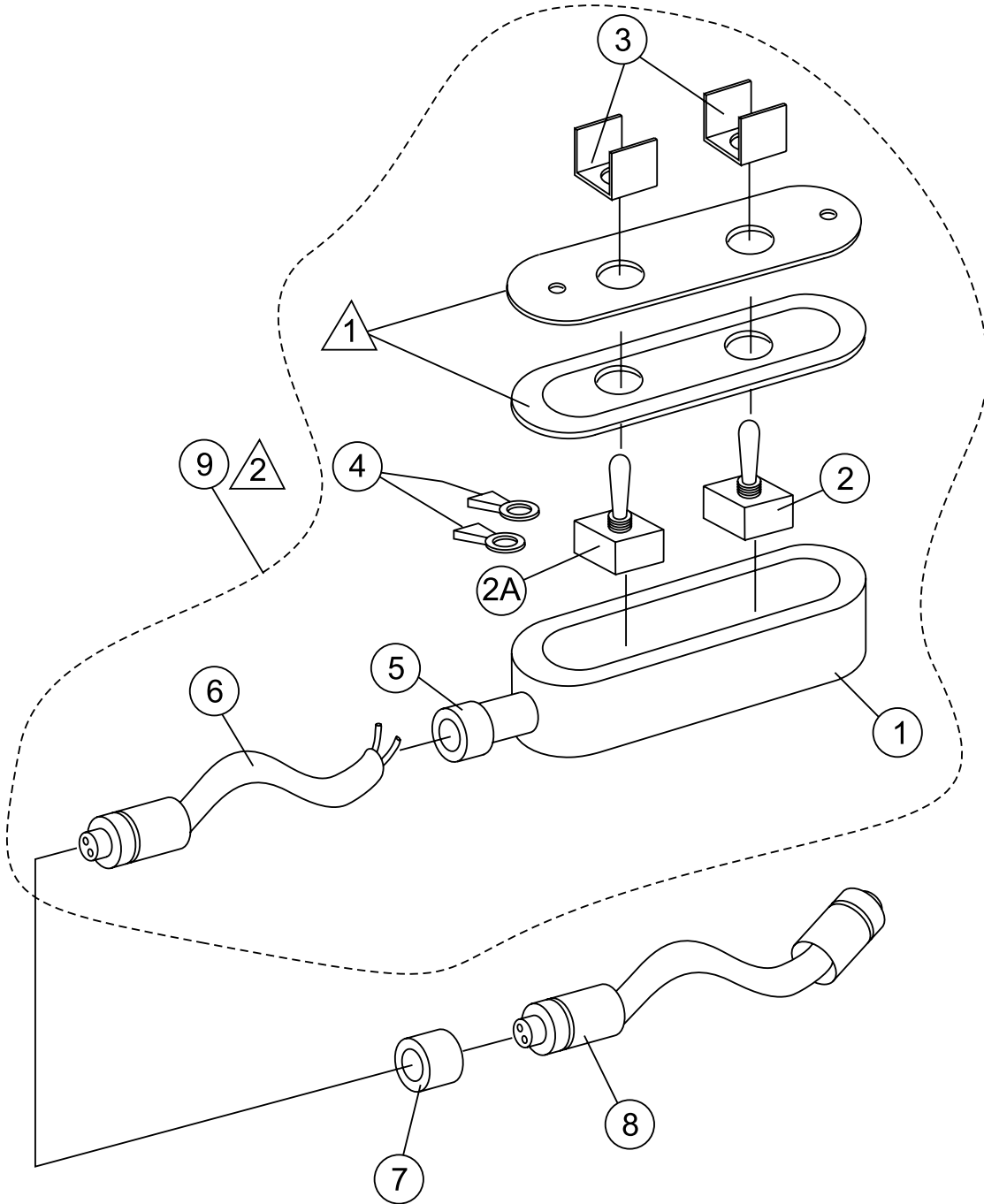
CONTROL BOX HARNESS ASSY.





CONTROL BOX HARNESS ASSY.

<u>NO.</u>	<u>PART NO.</u>	<u>PART NAME</u>	<u>QTY.</u>	<u>REMARKS</u>
1	EM517931	WIRE HARNESS 1 & 2	1	
2	344102000	FUSE, 30 AMP	1	
3	EM514636	WIRE HARNESS 2	1	
4	EM517932	WIRE HARNESS 3	1	
5	EM517934	WIRE HARNESS 4	1	
6	509588	POLY FLEX TUBE 1/2 IN. BLACK	AR	
7	16716	CONDUCTIVE DIVIDER 3/8 IN.	AR	

REMOTE CONTROL CABLE ASSY.



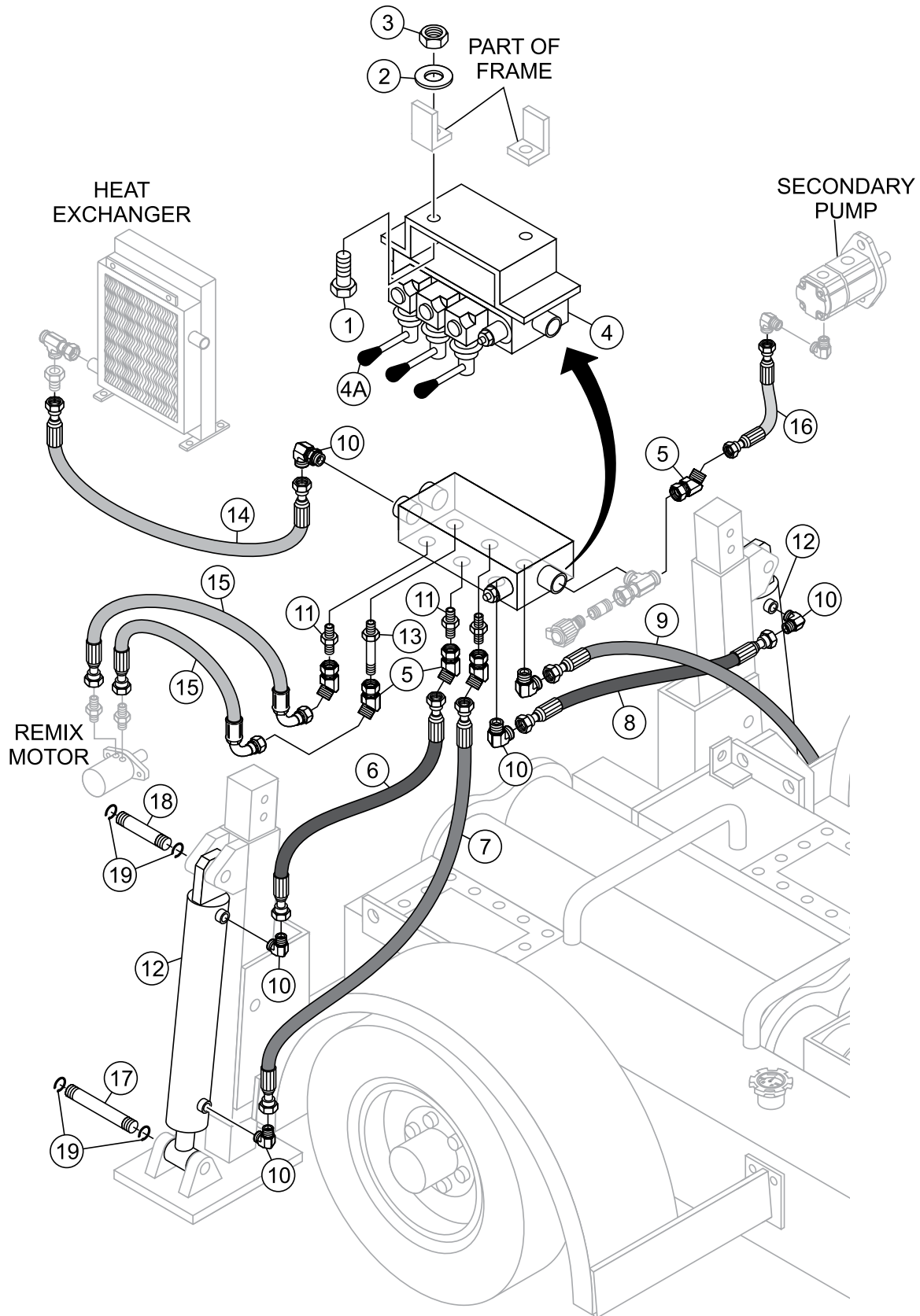
NOTES:

-  INCLUDED WITH ITEM 1.
-  COMPLETE CORD ASSY. INCLUDES ITEMS WITHIN DASHED LINE.

REMOTE CONTROL CABLE ASSY.

<u>NO.</u>	<u>PART NO.</u>	<u>PART NAME</u>	<u>QTY.</u>	<u>REMARKS</u>
1*	EM16753	JUNCTION BOX	1	
2*	EM16754	SWITCH	1	
2A	EM97075	SWITCH	1	
3*	EM491897	CONNECTOR, RING 3/16"	4	
4*	EM16756	GUARD SWITCH-ALUMINUM	2	
5*	EM26791	SEAL, GRIP CORD	1	
6*	EM26790	CORD, MX P/E 25 FT.	1	
7	EM26793	ADAPTER, CORD GRIP 1/2 IN.	1	
8	EM97065	ADAPTER, CORD 100 FT.	1	
9	EM97099	COMPLETE CORD ASSEMBLY 25 FT.....	1.....	INCLUDES ITEMS W/*

HYDRAULIC STABILIZER ASSY. (OPTIONAL)



HYDRAULIC STABILIZER ASSY. (OPTIONAL)

<u>NO.</u>	<u>PART NO.</u>	<u>PART NAME</u>	<u>QTY.</u>	<u>REMARKS</u>
1	TBD	BOLT	2	
2	TBD	WASHER	2	
3	TBD	NUT	2	
4	EM98046	VALVE REMIXER W/3 LEVERS	1	
4A	EM98047	HANDLE, DIRECTIONAL VALVE	3	
5	506200	FITTING 45°	5	
6	517101	HOSE	1	
7	517102	HOSE	1	
8	517103	HOSE	1	
9	517104	HOSE	1	
10	512655	FITTING 90°	7	
11	25509	FITTING STRAIGHT	3	
12	EM516382	HYDRAULIC STABILIZER	2	
13	517107	FITTING STRAIGHT	1	
14	517105	HOSE	1	
15	517100	HOSE	2	
16	517106	HOSE	1	
17	517153	BOLT	2	
18	517154	BOLT	2	
19	490957	SNAP RING	8	

PARTS MANUAL

HERE'S HOW TO GET HELP

PLEASE HAVE THE MODEL AND SERIAL
NUMBER ON-HAND WHEN CALLING

UNITED STATES

Multiquip Inc.

(310) 537- 3700
6141 Katella Avenue Suite 200
Cypress, CA 90630
E-MAIL: mq@multiquip.com
WEBSITE: www.multiquip.com

CANADA

Multiquip

(450) 625-2244
4110 Industriel Boul.
Laval, Quebec, Canada H7L 6V3
E-MAIL: infocanada@multiquip.com

UNITED KINGDOM

Multiquip (UK) Limited Head Office

0161 339 2223
Unit 2, Northpoint Industrial Estate, Globe Lane,
Dukinfield, Cheshire SK16 4UJ
E-MAIL: sales@multiquip.co.uk

© COPYRIGHT 2024, MULTIQUIP INC.

Multiquip Inc, the MQ logo are registered trademarks of Multiquip Inc. and may not be used, reproduced, or altered without written permission. All other trademarks are the property of their respective owners and used with permission.

This manual MUST accompany the equipment at all times. This manual is considered a permanent part of the equipment and should remain with the unit if resold.

The information and specifications included in this publication were in effect at the time of approval for printing. Illustrations, descriptions, references and technical data contained in this manual are for guidance only and may not be considered as binding. Multiquip Inc. reserves the right to discontinue or change specifications, design or the information published in this publication at any time without notice and without incurring any obligations.

