

PARTS MANUAL



 **MAYCO SERIES**
MODEL LS300GK
CONCRETE PUMP
(KUBOTA WG3800-G-E3 GASOLINE ENGINE)

Revision #4 (04/23/25)

To find the latest revision of this publication or associated operation manual, visit our website at: www.multiquip.com



THIS MANUAL MUST ACCOMPANY THE EQUIPMENT AT ALL TIMES.

**LS300GK
Concrete Pump**

Explanation Of Code In Remarks Column..... 4
Suggested Spare Parts 5

Component Drawings

Nameplate And Decals 6-9
Frame Assembly 10-11
Axle/Brake Line Assembly 12-13
Trailer Hitch Assembly 14-15
Battery Assembly 16-17
Hopper Assembly 18-19
Hopper Attachment Assembly 20-21
Hopper Interior Assembly 22-23
Shuttle Cylinder Assembly 24-25
Lubrication Pistons Assembly 26-29
Fuel Tank Assembly 30-31
Heat Exchanger Assembly 32-33
Piston Accumulator Assembly 34-35
Lubrication Panel Assembly 36-37
Engine Cover Assembly 38-39
Hydraulic Tank Assembly 40-41
Engine Mounting Assembly 42-43
Air Filter Assembly 44-45
Radiator Assembly 46-47
Exhaust Assembly 48-49
Fuel System Assembly 50-51
Hydraulic Pump Assembly 52-53
Manifold Assembly 54-55
Control Box Assembly 56-57
Control Box Harness Assembly 58-59
Remote Control Cable Assembly 60-61
Fuses And Relays Assembly 62-63

NOTICE
Part numbers are subject to change without notice.

EXPLANATION OF CODE IN REMARKS COLUMN

The following section explains the different symbols and remarks used in the Parts section of this manual. Use the help numbers found on the back page of the manual if there are any questions.

NOTICE

The contents and part numbers listed in the parts section are subject to change without notice. Multiquip does not guarantee the availability of the parts listed.

SAMPLE PARTS LIST

NO.	PART NO.	PART NAME	QTY.	REMARKS
1	12345	BOLT	1	INCLUDES ITEMS W/%
2%		WASHER, 1/4 IN.		NOT SOLD SEPARATELY
2%	12347	WASHER, 3/8 IN. ...	1	MQ-45T ONLY
3	12348	HOSE	A/R	MAKE LOCALLY
4	12349	BEARING	1	S/N 2345B AND ABOVE

NO. Column

Unique Symbols — All items with same unique symbol (@, #, +, %, or >) in the number column belong to the same assembly or kit, which is indicated by a note in the “Remarks” column.

Duplicate Item Numbers — Duplicate numbers indicate multiple part numbers, which are in effect for the same general item, such as different size saw blade guards in use or a part that has been updated on newer versions of the same machine.

NOTICE

When ordering a part that has more than one item number listed, check the remarks column for help in determining the proper part to order.

PART NO. Column

Numbers Used — Part numbers can be indicated by a number, a blank entry, or TBD.

TBD (To Be Determined) is generally used to show a part that has not been assigned a formal part number at the time of publication.

A blank entry generally indicates that the item is not sold separately or is not sold by Multiquip. Other entries will be clarified in the “Remarks” Column.

QTY. Column

Numbers Used — Item quantity can be indicated by a number, a blank entry, or A/R.

A/R (As Required) is generally used for hoses or other parts that are sold in bulk and cut to length.

A blank entry generally indicates that the item is not sold separately. Other entries will be clarified in the “Remarks” Column.

REMARKS Column

Some of the most common notes found in the “Remarks” Column are listed below. Other additional notes needed to describe the item can also be shown.

Assembly/Kit — All items on the parts list with the same unique symbol will be included when this item is purchased.

Indicated by:

“INCLUDES ITEMS W/(unique symbol)”

Serial Number Break — Used to list an effective serial number range where a particular part is used.

Indicated by:

“S/N XXXXX AND BELOW”

“S/N XXXX AND ABOVE”

“S/N XXXX TO S/N XXX”

Specific Model Number Use — Indicates that the part is used only with the specific model number or model number variant listed. It can also be used to show a part is NOT used on a specific model or model number variant.

Indicated by:

“XXXXX ONLY”

“NOT USED ON XXXX”

“Make/Obtain Locally” — Indicates that the part can be purchased at any hardware shop or made out of available items. Examples include battery cables, shims, and certain washers and nuts.

“Not Sold Separately” — Indicates that an item cannot be purchased as a separate item and is either part of an assembly/kit that can be purchased, or is not available for sale through Multiquip.

SUGGESTED SPARE PARTS

MAYCO SERIES LS300GK CONCRETE PUMP

1 to 3 units

Qty.	P/N	Description
2	EM98206K	KEY IGNITION SWITCH
1	23284-300	FUSE, 30 AMP.
1	23284-030	FUSE, FUSE, 3 AMP.
1	42424	CAP, FUEL TANK
4	EM16493	RING, FELT
4	EM806439	HOLDER, FELT
4	EM98050Y	CUP PISTON-YELLOW
2	EM806440	RING, BRONZE
1	EM168161A	RING, ENERGIZER, RUBBER
1	EM168162	RING, STEEL, INSERT
2	EM98065	SEAL, GROOVED, RUBBER
1	EM98022	RING, WEAR H/F
4	EM14407	O-RING, OILER PLATE
1	EM98021A	WEAR PLATE
2	EM16174	O-RING, WEAR PLATE
1	EM16461	OILER PLATE
2	EM807145A	ELEMENT, PRIMARY
2	EM807145B	ELEMENT, SAFETY

KUBOTA WG3800-G-E3 GASOLINE ENGINE

1 to 3 units

Qty.	P/N	Description
3	HH1C032420	OIL FILTER, ENGINE
3	1258143012	IN-LINE FUEL FILTER

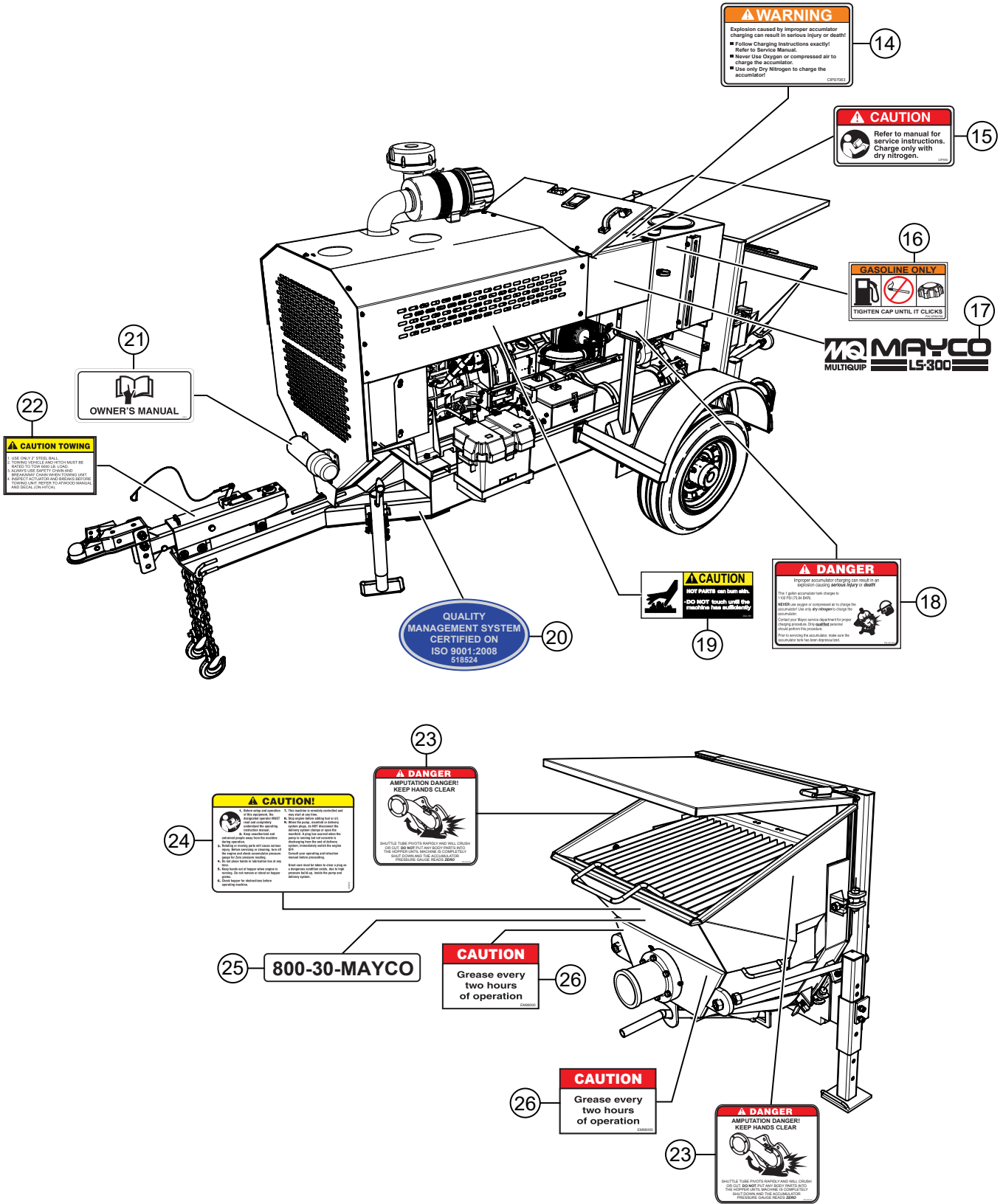
NOTICE

Part numbers on this Suggested Spare Parts list may supersede/replace the part numbers shown in the following parts lists.

NAMEPLATE AND DECALS

<u>NO.</u>	<u>PART NO.</u>	<u>PART NAME</u>	<u>QTY.</u>	<u>REMARKS</u>
1	803810	DECAL, FUSE/RELAY OVERLAY	1	
2	808798	DECAL, MQ/MAYCO LS300GK, LARGE	1	
3	34627	DECAL, TOWING, WARNING	1	
4	DCL305	DECAL, WARNING REAR STABILIZERS	1	
5	513580	DECAL, ENGINE RPM SETTING	1	
6	EM97084	DECAL, MAINTENANCE	1	
7	DCL300	DECAL, LUBRICATION BOX	1	
8	EM517907	DIGITAL CONTROL PANEL LOGO	1	
9	EM97070	DECAL, PUMPING PRESSURE	1	
10	35137	DECAL, CAUTION READ MANUAL	1	
11	EM97072	DECAL, CAUTION OPERATIONS INSTRUCT.	1	
12	EM511901	DECAL, CAUTION MINIMUM OIL LEVEL	1	
13	EM985	DECAL, HYDRAULIC OIL	1	

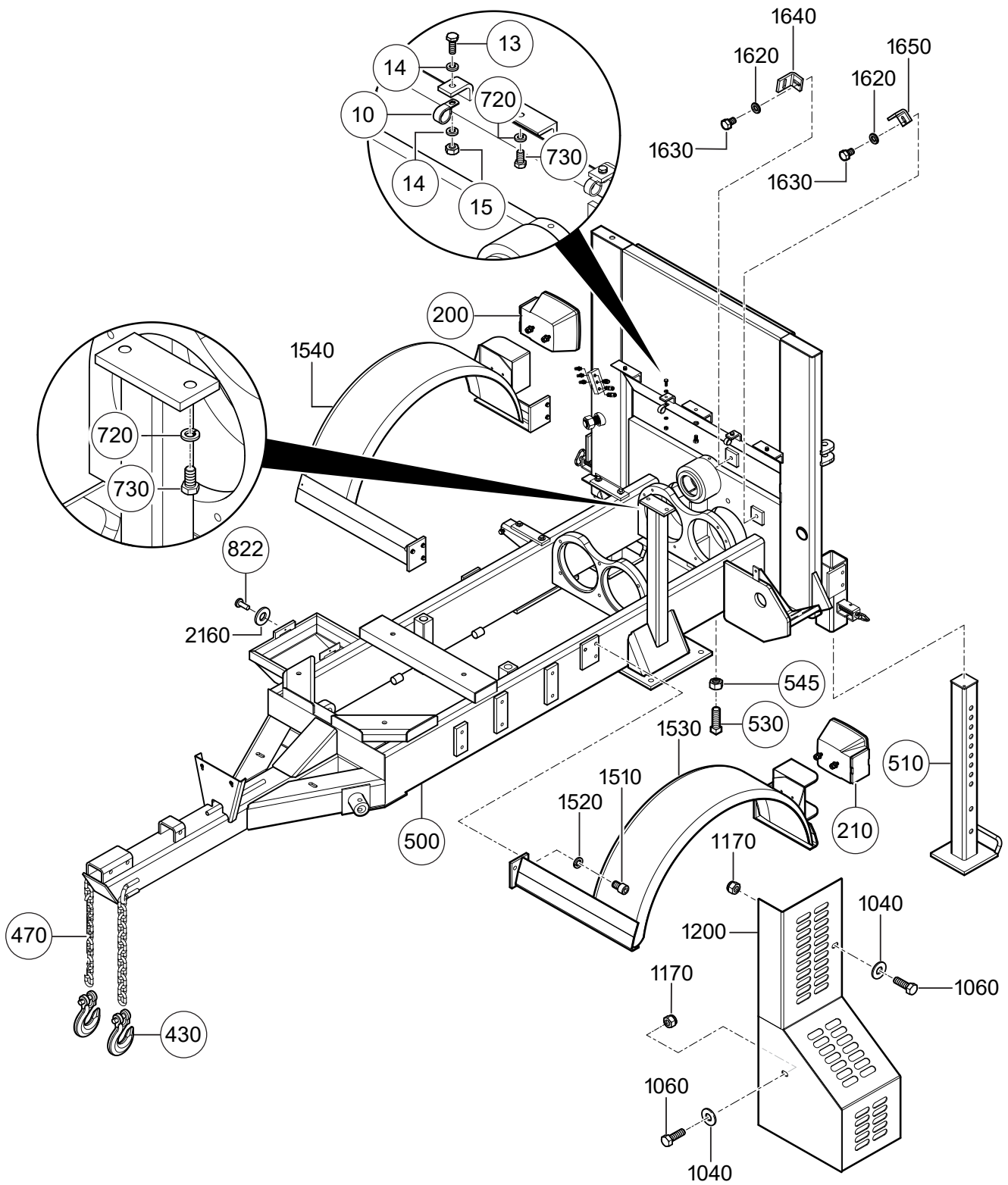
NAMEPLATE AND DECALS (CONT'D.)



NAMEPLATE AND DECALS (CONT'D.)

<u>NO.</u>	<u>PART NO.</u>	<u>PART NAME</u>	<u>QTY.</u>	<u>REMARKS</u>
14	EM97083	DECAL; WARNING	1	
15	EM955	DECAL; CAUTION DRY NITROGEN	1	
16	807381	DECAL; GASOLINE	1	
17	808799	DECAL; MAYCO LOGO SMALL	1	
18	DCL304	DECAL; DANGER IMPROPER CHARGING	1	
19	DCL302	DECAL; WARNING BURN HAZARD	1	
20	518524	DECAL; ISO 9001:2008 EXPORT	1	
21	34536	DECAL; OWNER'S MANUAL	1	
22	EM969	DECAL; CAUTION TOWING	1	
23	DCL301	DECAL; DANGER SHUTTLE TUBE	2	
24	EM97072	DECAL; CAUTION OPERATIONS INSTRUCT.	1	
25	EM511709	DECAL; 800-30-MAYCO	1	
26	EM510386	DECAL; CAUTION-GREASE 2 HOURS	2	

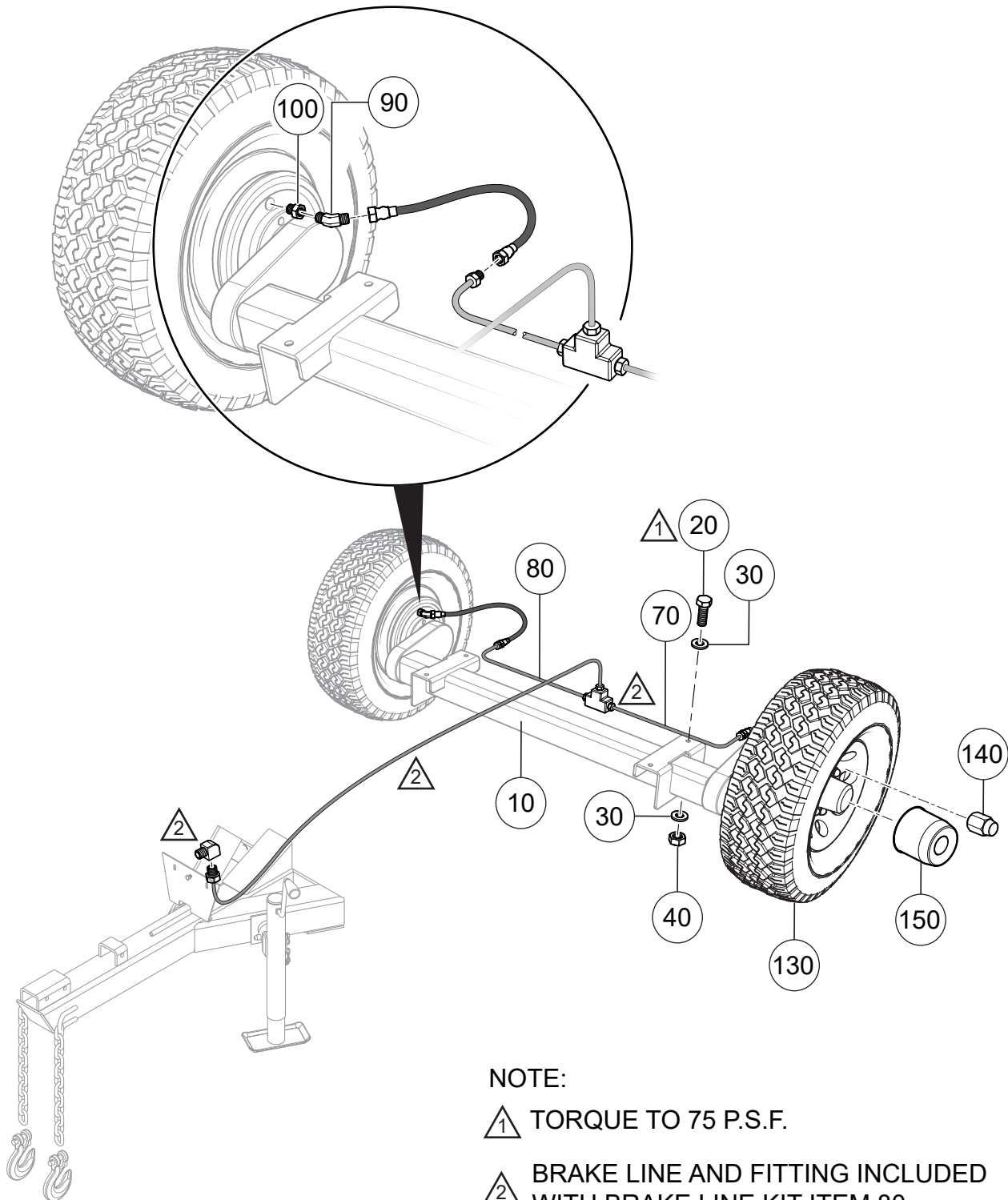
FRAME ASSY.



FRAME ASSY.

<u>NO.</u>	<u>PART NO.</u>	<u>PART NAME</u>	<u>QTY.</u>	<u>REMARKS</u>
10	801130	CLAMP, HOSE	2	
13	492356	HEX. HEAD BOLT	2	
14	2101402	WASHER LOCK	4	
15	2101428	HEX. NUT	2	
200	29242	TAIL LIGHT, CURBSIDE	1	
210	29243	TAIL LIGHT, ROADSIDE	1	
430	522046	SAFETY HOOK W/LATCH	2	
470	516784	CHAIN	2	
500	808817	FRAME, MAIN CHASSIS	1	
510	EM70186	JACK STAND, FRONT	2	
530	492491	HEX. HEAD BOLT	1	
545	6109160	HEX. NUT	3	
720	0166 A	WASHER, LOCK	5	
730	EM963055	HEX. HEAD BOLT	5	
822	491757	RIVET, ID PLATE	2	
1040	EM923023	WASHER, FLAT	6	
1060	0202	HEX. HEAD BOLT	2	
1170	2105164	HEX. NUT	6	
1200	516965	GUARD, CYLINDER	1	
1510	803692	CAP SCREW	10	
1520	6109180	WASHER, LOCK	10	
1530	EM807204	FENDER, LEFT	1	
1540	EM807203	FENDER, RIGHT	1	
1620	6109180	WASHER, LOCK	2	
1630	504456	CAP SCREW	2	
1640	517860	UPPER SENSOR SUPPORT	1	
1650	517861	LOWER SENSOR SUPPORT	1	
2160	492595	WASHER, FLAT	2	

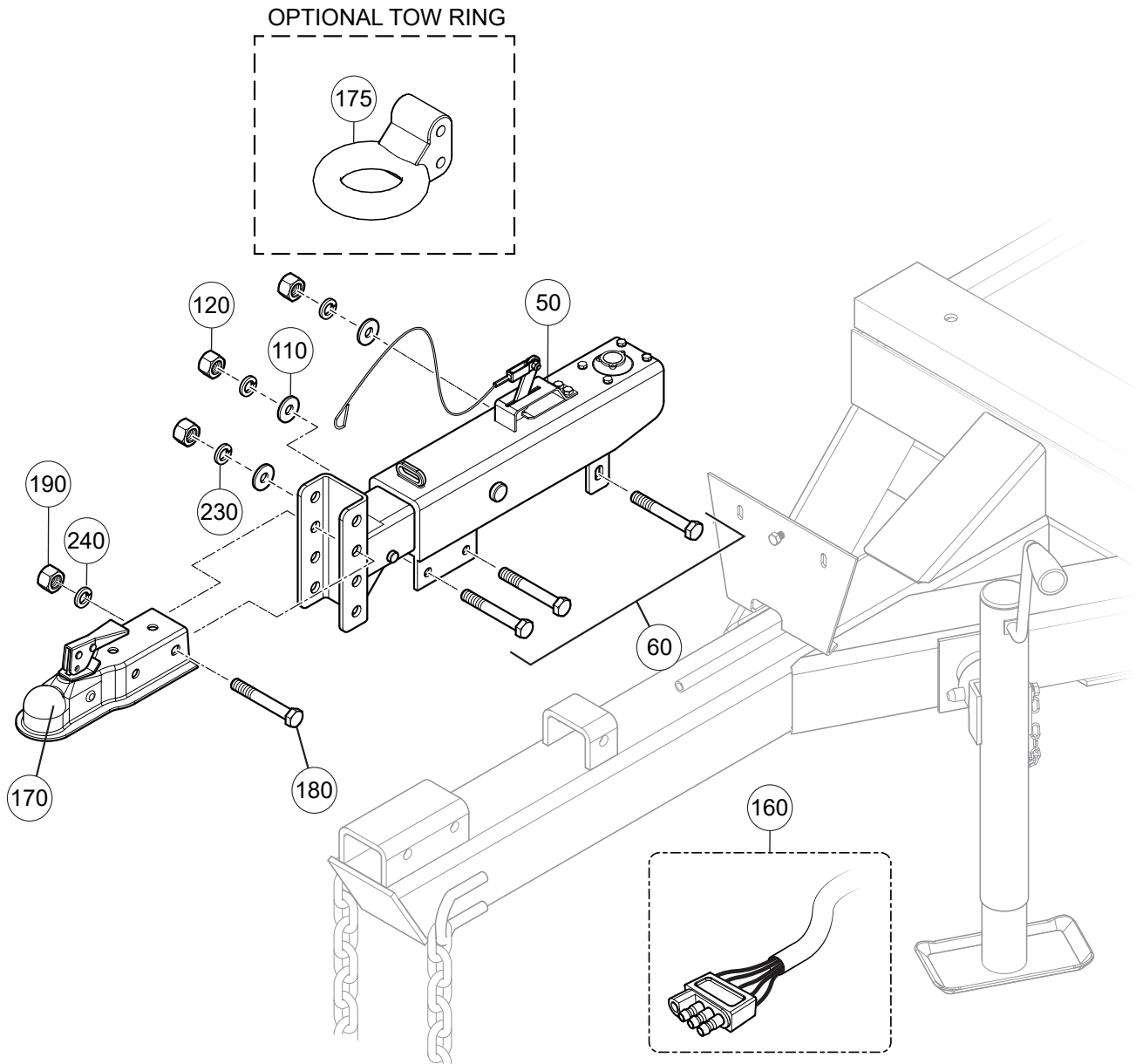
AXLE/BRAKE LINE ASSY.



AXLE/BRAKE LINE ASSY.

<u>NO.</u>	<u>PART NO.</u>	<u>PART NAME</u>	<u>QTY.</u>	<u>REMARKS</u>
10	EM516931	AXLE ASSEMBLY	1	
20	TK31C1032J	HEX. HEAD BOLT	4	
30	EM621	WASHER, FLAT	8	
40	TK83D10J	HEX. NUT	4	
70	34565	KIT, HYDRAULIC BRAKE LINE	1	
80	34566	KIT, TORSION AXLE LINE	1	
90	EM512876	ADAPTER, ELBOW	2	
100	EM512877	ADAPTER, STRAIGHT	2	
130	516479	WHEEL, TIRE/RIM	2	
140	EM26519	NUT, CHROME LUG	12	
150	EM26520	CAP, CHROME	2	

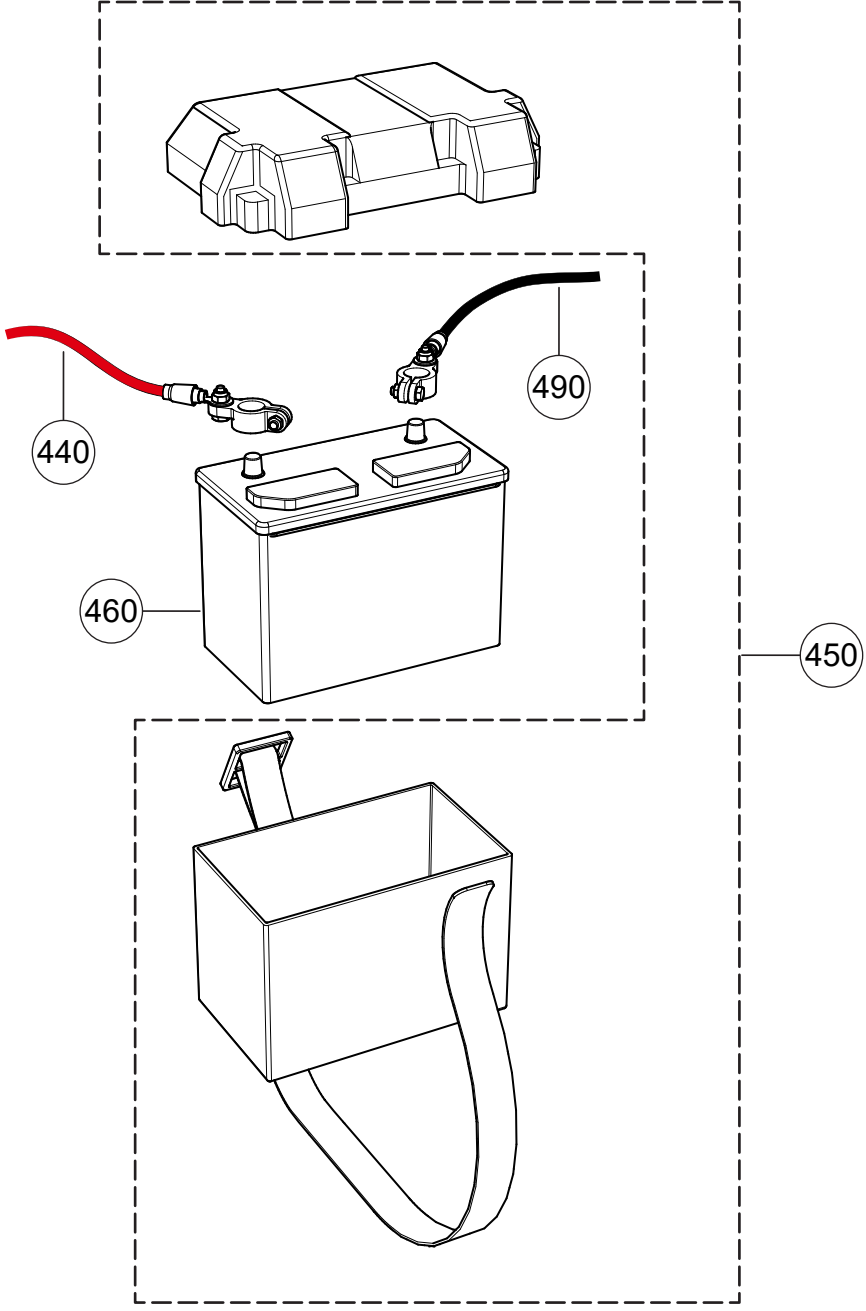
TRAILER HITCH ASSY.



TRAILER HITCH ASSY.

<u>NO.</u>	<u>PART NO.</u>	<u>PART NAME</u>	<u>QTY.</u>	<u>REMARKS</u>
50	19067	ACTUATOR, BRAKE	1	
60	518257	HEX. HEAD BOLT	3	
110	6109170	WASHER, FLAT	3	
120	6109160	HEX. NUT	3	
160	807196	HARNESS ASSEMBLY, LIGHTS	1	
170	29228	COUPLER, 2" BALL	1	
175	29369	COUPLER, 3" PINTLE EYE.....	1.....	OPTIONAL
180	518256	HEX. HEAD BOLT	2	
190	EM968013	HEX. NUT	2	
230	6109180	WASHER, LOCK	3	
240	EM923348	WASHER, LOCK	2	

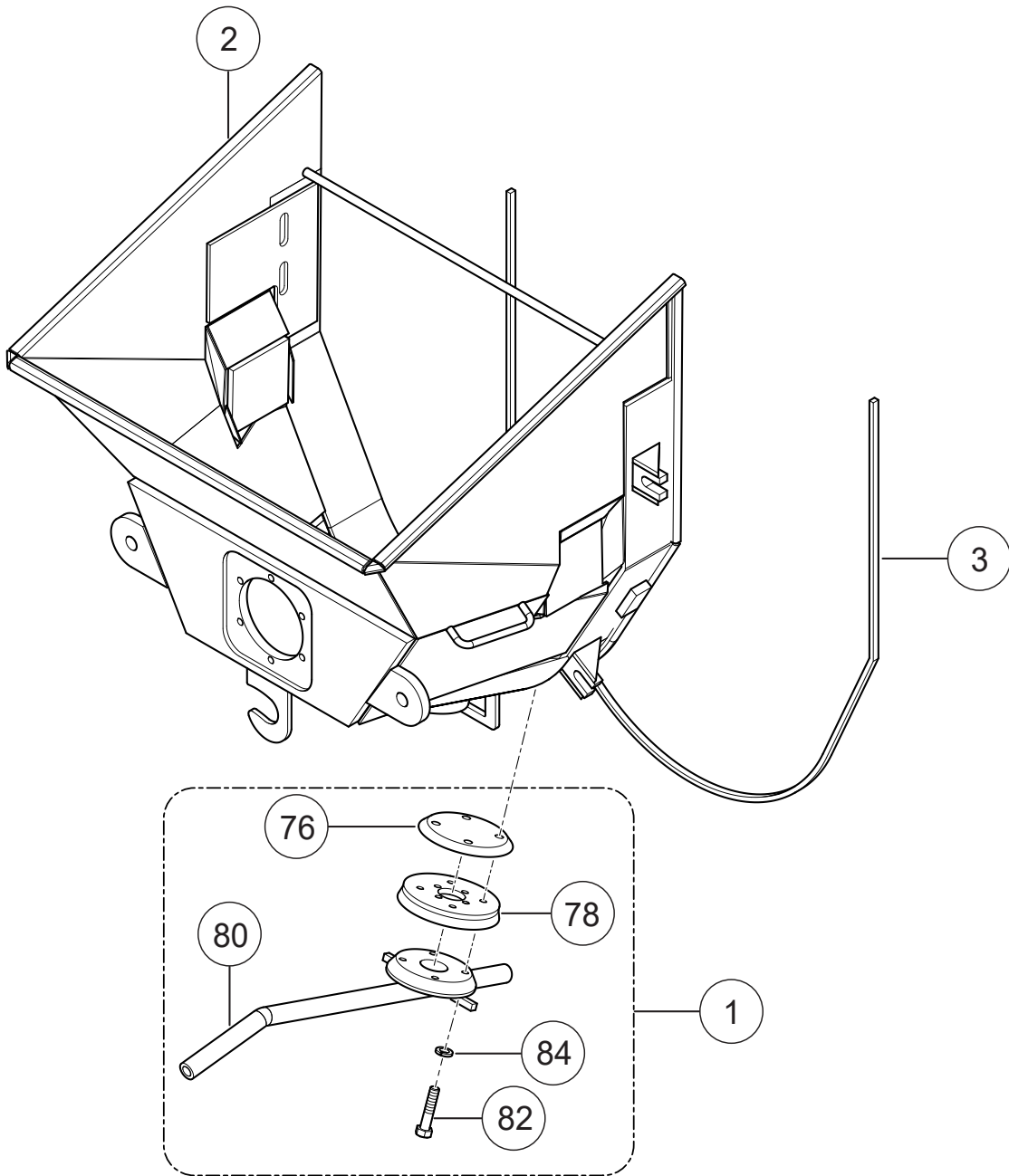
BATTERY ASSY.



BATTERY ASSY.

<u>NO.</u>	<u>PART NO.</u>	<u>PART NAME</u>	<u>QTY.</u>	<u>REMARKS</u>
440	514856	BATT. CABLE, POSITIVE (1130 MM/3.70 FT.)	1	
450	804690	BATTERY BOX W/ STRAP	1	
460	520520	BATTERY, 12V.....	1.....	OBTAIN LOCALLY
490	515118	BATT. CABLE, NEGATIVE (512 MM/1.67 FT.)	1	

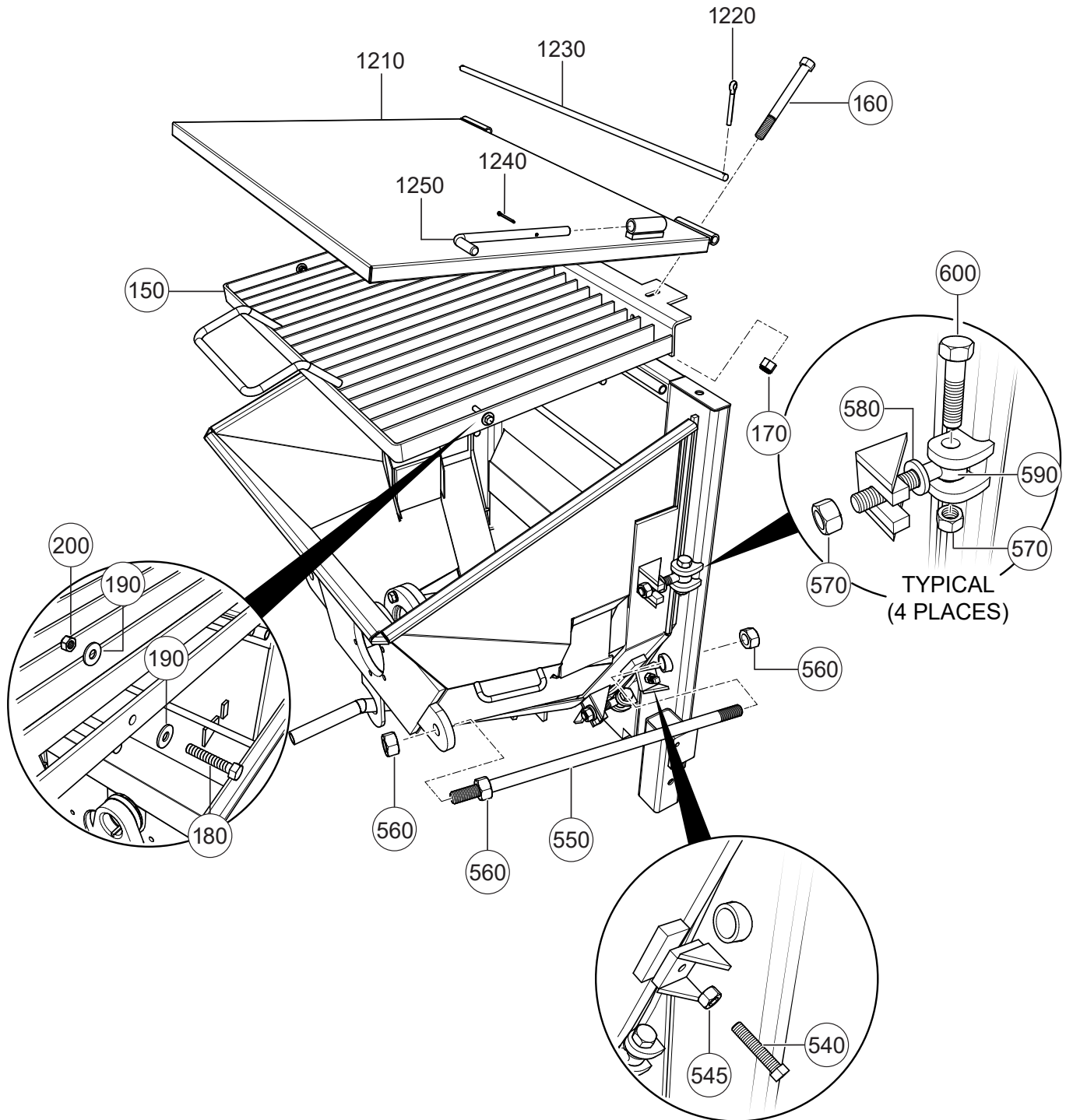
HOPPER ASSY.



HOPPER ASSY.

<u>NO.</u>	<u>PART NO.</u>	<u>PART NAME</u>	<u>QTY.</u>	<u>REMARKS</u>
1	EM70860	HOPPER CLEANOUT PLUG ASSY.....	1.....	INCLUDES ITEMS W/\$
2	EM517753	HOPPER ASSEMBLY	1	
3	EM16184	SEAL, HOPPER	1	
76\$	EM708601	PISTON, CUP HOLDER	1	
78\$	EM50417	CUP, SPECIAL	1	
80\$	EM508830	HANDLE	1	
82\$	492378	HEX. HEAD BOLT	4	
84\$	0166 A	WASHER, LOCK	4	

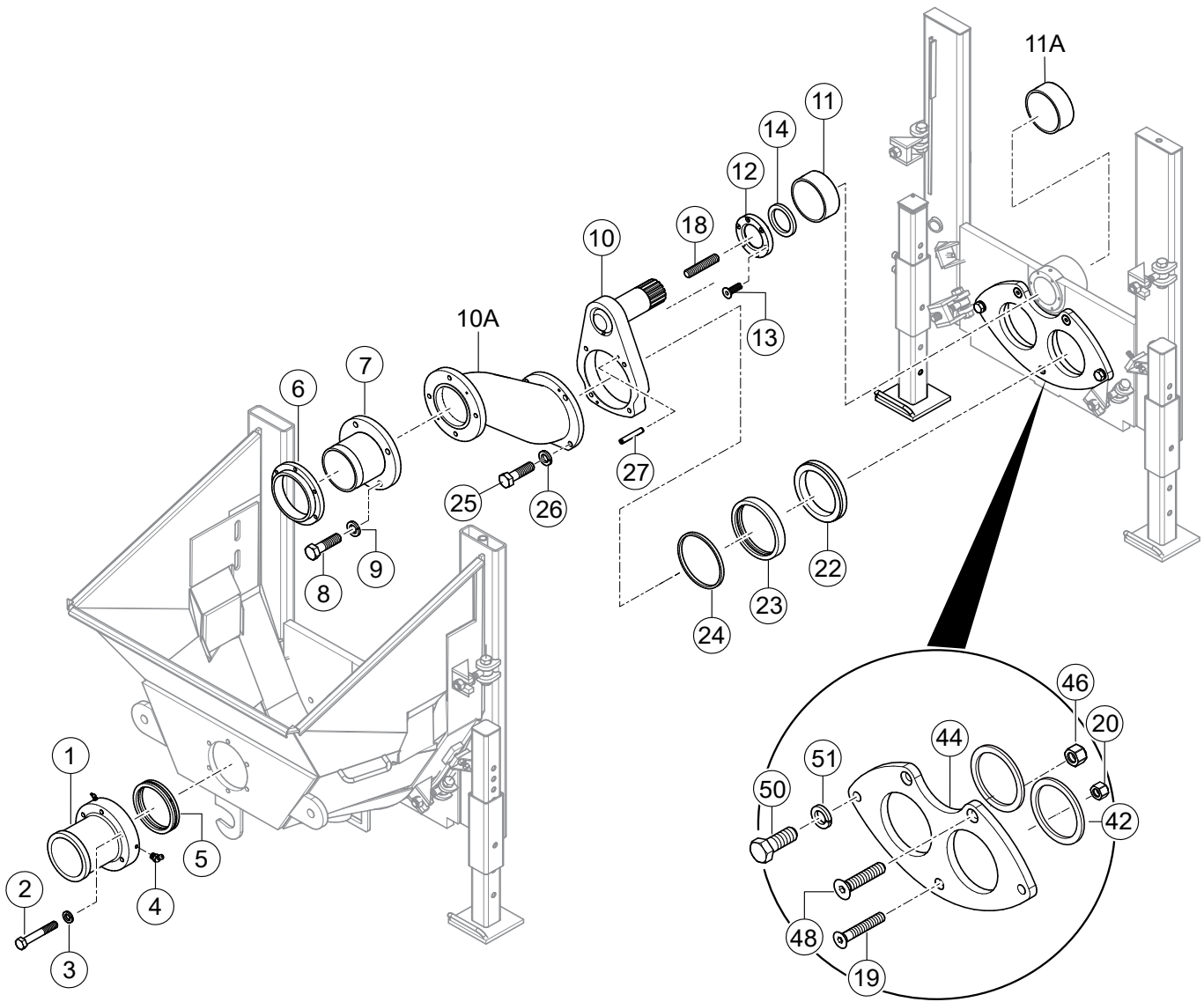
HOPPER ATTACHMENT ASSY.



HOPPER ATTACHMENT ASSY.

<u>NO.</u>	<u>PART NO.</u>	<u>PART NAME</u>	<u>QTY.</u>	<u>REMARKS</u>
150	EM514357	GRATE, HOPPER	1	
160	515395	HEX. HEAD BOLT	2	
170	505081	HEX. NUT	2	
180	492379	HEX. HEAD BOLT	2	
190	3019092	WASHER, FLAT	4	
200	EM969013	NUT, NYLOK	2	
540	505123	HEX. HEAD BOLT	2	
545	6109160	HEX. NUT	3	
550	EM16166	TIE ROD	2	
560	EM424	HEX. NUT	6	
570	EM968446	HEX. NUT	8	
580	EM619	WASHER, FLAT	4	
590	EM14165	EYE BOLT	4	
600	505121	HEX. HEAD BOLT	4	
1210	EM514204	COVER, SPLASH	1	
1220	EM491686	PIN, COTTER	4	
1230	EM514620	PIN, HINGE	1	
1240	EM505723	PIN, COTTER	1	
1250	EM70134-2	PIN, SPLASH PLATE	1	

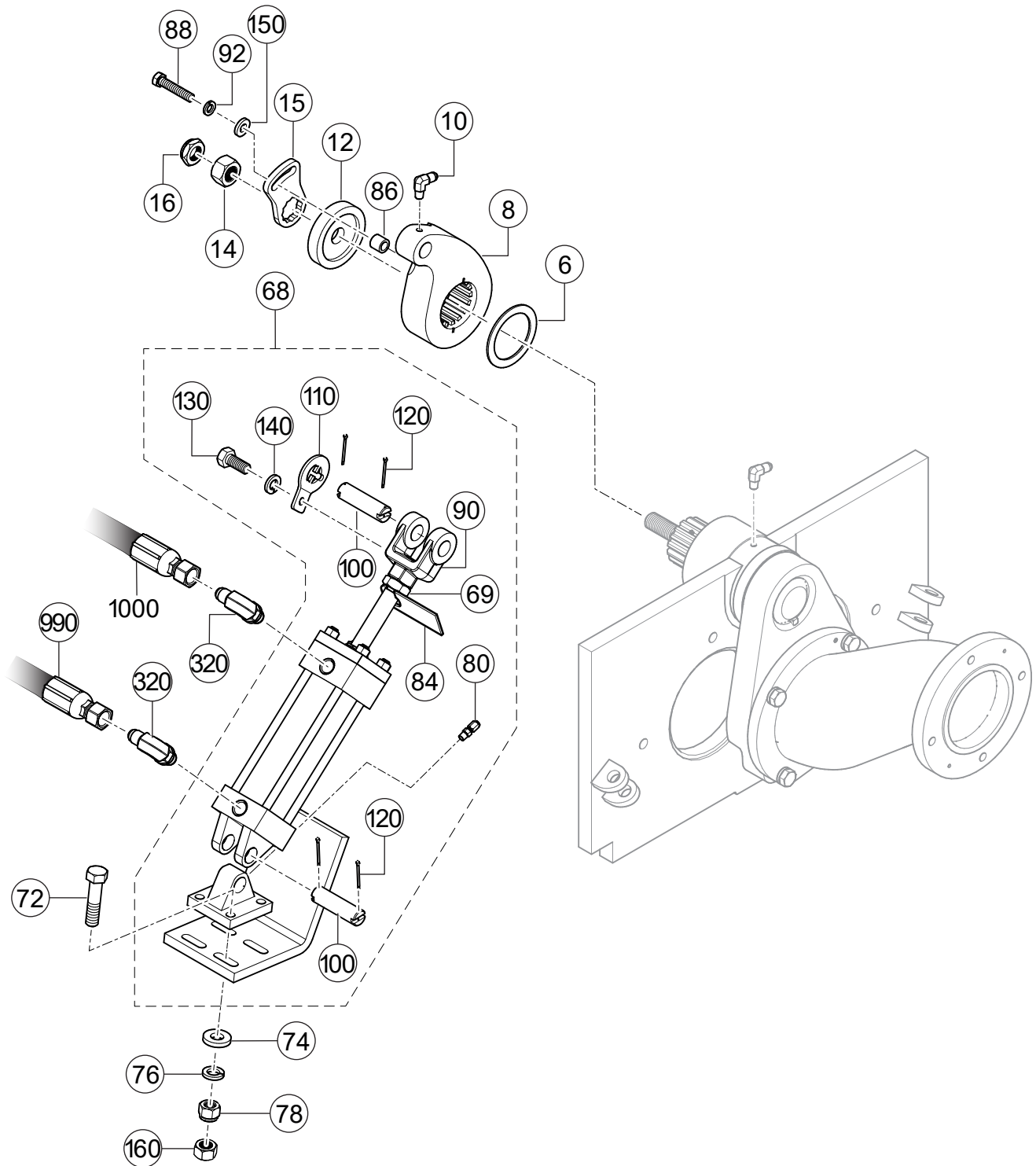
HOPPER INTERIOR ASSY.



HOPPER INTERIOR ASSY.

<u>NO.</u>	<u>PART NO.</u>	<u>PART NAME</u>	<u>QTY.</u>	<u>REMARKS</u>
1	EM512212	NIPPLE, DISCHARGE	1	
2	EM210	BOLT HEX HEAD	6	
3	6109180	WASHER, LOCK	6	
4	EM491701	FITTING, GREASE ZERK	3	
5	EM98065	SEAL, GROOVED	1	
6	EM25803	BEARING, DISCHARGE PLATE	1	
7	EM16804	SLEEVE, 5" ASSY.	1	
8	EM104	HEX. HEAD BOLT	4	
9	EM923348	WASHER, LOCK	4	
10	EM25843	NUN PLATE	1	
10A	EM16811	SHUTTLE TUBE	1	
11	EM800609	BUSHING, BRONZE	1	
11A	EM16145A	BUSHING, BRONZE	1	
12	800427	RETAINER, NUN PLATE	1	
13	506176	FLAT HEAD BOLT	6	
14	EM800426	RUBBER SEAL, NUN PLATE	1	
18	EM284	STUD	1	
19	EM264	BOLT, COUNTERSUNK	1	
20	492584	NUT, NYLOCK	1	
22	EM98022	RING WEAR, H/F	1	
23	EM168161A	RING, ENERGIZER, RUBBER	1	
24	EM168162	RING, STEEL INSERT	1	
25	EM104	HEX. HEAD BOLT	4	
26	EM923348	WASHER, LOCK	4	
27	419719	PIN	1	
42	EM16174	O-RING, WEAR PLATE	2	
44	EM98021A	WEAR PLATE, HARDFACED	1	
46	EM969023	NUT, LOCK	2	
48	EM265	FLAT HEAD BOLT	2	
50	EM151	HEX. HEAD BOLT	2	
51	492628	WASHER, LOCK	2	

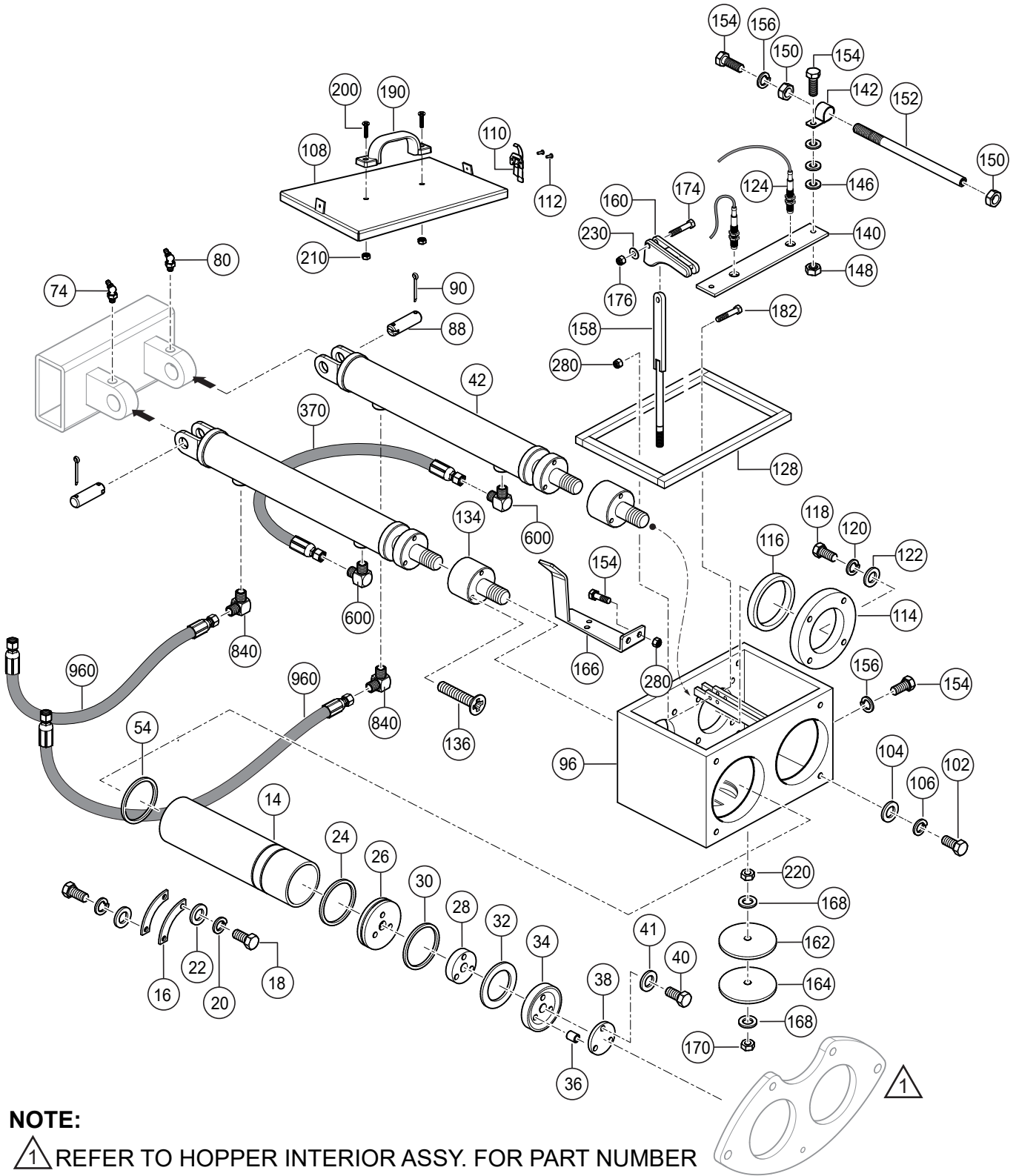
SHUTTLE CYLINDER ASSY.



SHUTTLE CYLINDER ASSY.

<u>NO.</u>	<u>PART NO.</u>	<u>PART NAME</u>	<u>QTY.</u>	<u>REMARKS</u>
6	EM16169	THRUST WASHER	1	
8	EM510514	SHUTTLE CRANK	1	
10	EM50449	FITTING, ELBOW	1	
12	EM16814	SHUTTLE, TENSIONER	1	
14	EM509221	NUT	1	
15	EM518555	CRANK ARM, NUT LOCK	1	
16	EM417	NUT, FLEX LOCK	1	
68	EM98205	CYLINDER SHUTTLE ASSEMBLY.....	1	INCLUDES ITEMS W/\$
69\$	515249	NUT, JAM	1	
72	505718	HEX. HEAD BOLT	4	
74	EM621	WASHER, FLAT	4	
76	6109180	WASHER, LOCK	4	
78	492584	NUT, LOCK	4	
80\$	EM510684	GREASE FITTING	1	
84\$	517998	PLATE, SENSOR	1	
86	EM518556	BUSHING, CRANK ARM	1	
88	EM963692	HEX. HEAD BOLT	1	
90\$	521141	CLEVIS, FEMALE	1	
92	492266	WASHER, LOCK	1	
100\$	521139	PIN, WRIST	2	
110\$	EM802009	CLEVIS LOCK, SHUTTLE	1	
120\$	EM924008	PIN, COTTER	4	
130\$	492363	HEX. HEAD BOLT	1	
140\$	EM923343	WASHER, LOCK	1	
150	6109170	WASHER, FLAT	1	
160	6109160	HEX. NUT	4	
320	3322	FITTING, 90°	2	
990	803698	HOSE, 663 MM (2.17 FT.)	1	
1000	803699	HOSE, 503 MM (1.65 FT.)	1	

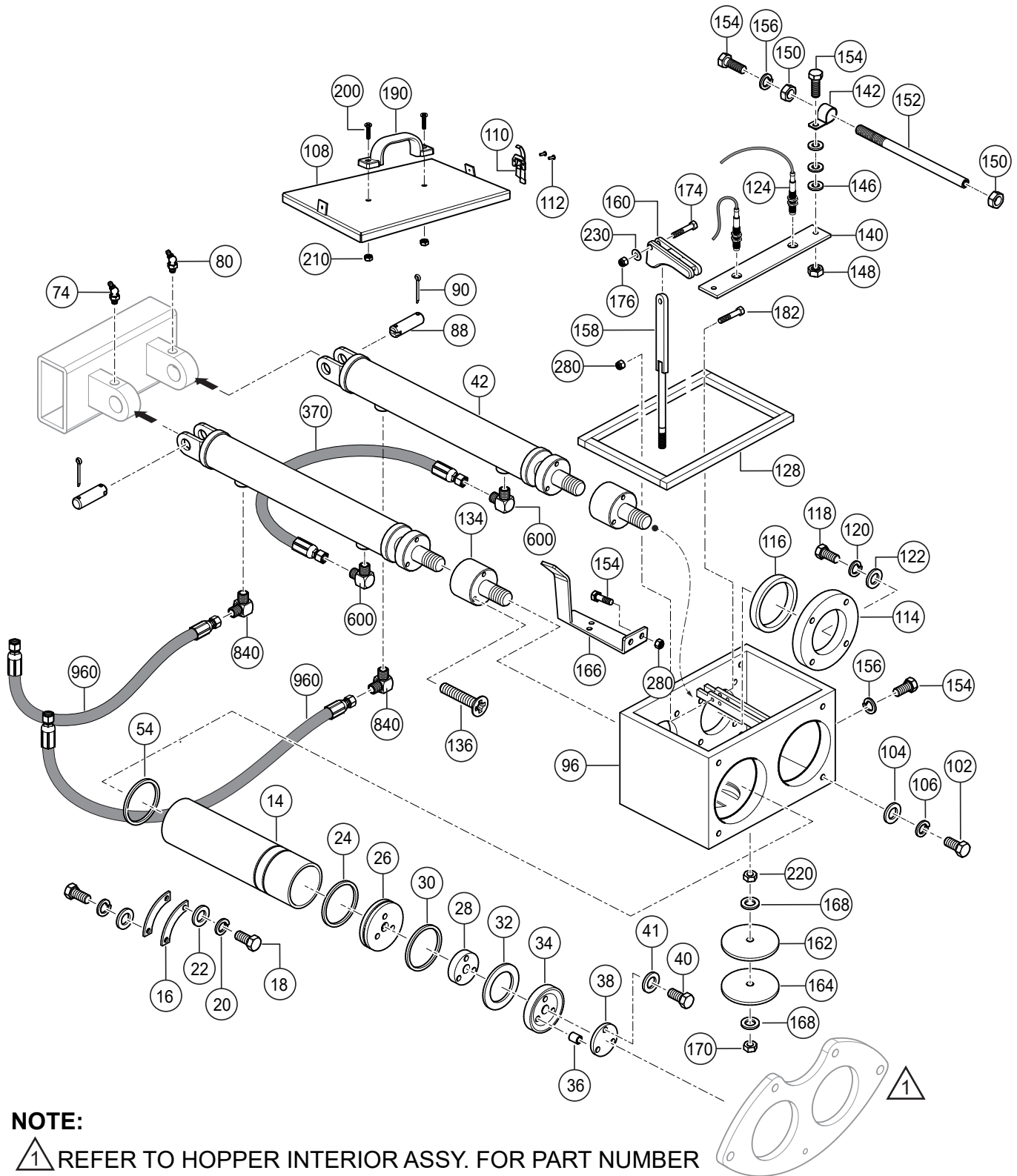
LUBRICATION PISTONS ASSY.



LUBRICATION PISTONS ASSY.

<u>NO.</u>	<u>PART NO.</u>	<u>PART NAME</u>	<u>QTY.</u>	<u>REMARKS</u>
14	EM80801	CONCRETE CYLINDER	2	
16	EM25110	RETAINER, CYLINDER	8	
18	EM963610	CAP SCREW	16	
20	0166 A	WASHER, LOCK	16	
22	3019092	WASHER, FLAT	16	
24	EM14407	O-RING, OILER PLATE	2	
26	EM16461	OILER PLATE	2	
28	EM806439	HOLDER, FELT	2	
30	EM16493	RING, FELT	2	
32	EM806440	RING, BRONZE	2	
34	EM16463	CUP, BLACK	2	
36	EM16465	SPACER, PISTON CUP	6	
38	EM806441TT	PLATE, FACE	2	
40	510265	HEX. HEAD BOLT	6	
41	804602	WASHER, LOCK	6	
42	EM80423A	MAIN HYDRAULIC CYLINDER	2	
54	EM16174	O-RING, WEAR PLATE	2	
74	491701	FITTING, ZERK	1	
80	491701	FITTING, ZERK	1	
88	EM16459	PIN, CLEVIS	2	
90	EM505723	PIN, COTTER	4	
96	806336	LUBRICATION BOX	1	
102	492378	HEX. HEAD BOLT	6	
104	3019092	WASHER, FLAT	6	
106	0166 A	WASHER, LOCK	6	
108	802997	COVER, LUBRICATION BOX	1	
110	EM514610	LATCH, COVER	2	
112	EM491754	POP RIVET	4	
114	EM50425	FLANGE, SEAL	2	
116	EM274351	SEAL, LUBE BOX	2	
118	EM492451	HEX. HEAD BOLT	8	
120	3019092	WASHER, FLAT	8	
122	EM50443	SEAL, STATOR	8	
124	EM98163	PROXIMITY SENSOR	4	
128	EM800033	SEAL, SQUARE	1	

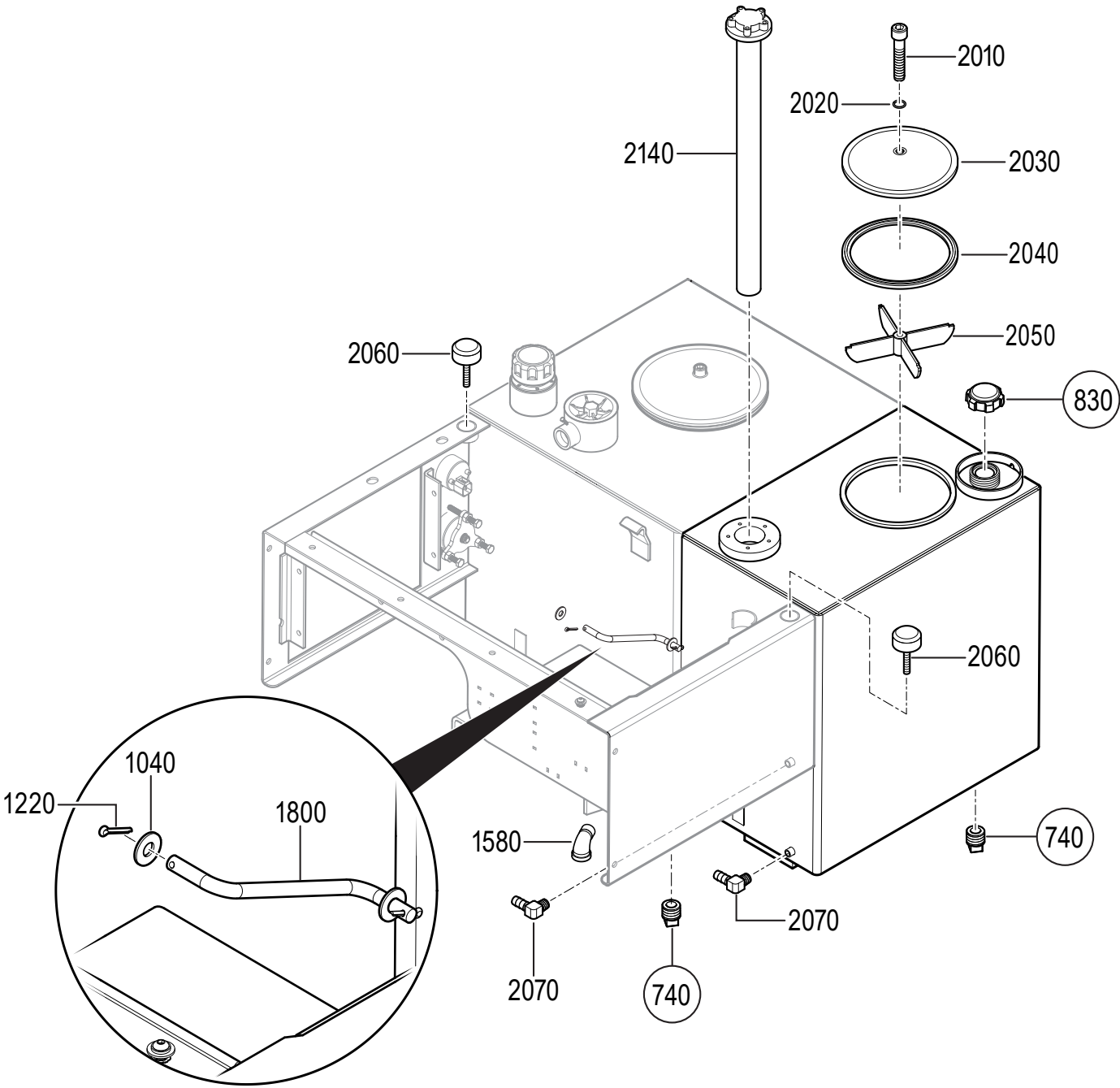
LUBRICATION PISTONS ASSY. (CONT'D.)



LUBRICATION PISTONS ASSY. (CONT'D.)

<u>NO.</u>	<u>PART NO.</u>	<u>PART NAME</u>	<u>QTY.</u>	<u>REMARKS</u>
134	EM806438	ADAPTER, PISTON	2	
136	EM185	SOCKET HEAD BOLT	6	
140	EM514208	BAR, PROXIMITY SENSOR SUPPORT	1	
142	EM514207	BRACKET	2	
146	EM923023	WASHER, FLAT	6	
148	2105164	NUT, NYLON	6	
150	6109160	HEX. NUT	4	
152	EM514216	ROD	2	
154	0202	HEX. HEAD SCREW	6	
156	EM923343	WASHER, LOCK	4	
158	802677	PLUNGER, ROD	1	
160	802678	LEVER, RELEASE	1	
162	EM802682	RUBBER SEAL	1	
164	802681	SEAL, PLATE	1	
166	802850	BRACKET, PROXIMITY SENSOR HARNESS	1	
168	EM492599	WASHER, FLAT	2	
170	492584	NUT, LOCK	1	
174	492379	CAP SCREW	1	
176	EM969013	NUT, NYLON	1	
190	802751	HANDLE, COVER	1	
200	513312	FLAT HEAD BOLT	2	
210	492581	NUT, LOCK	2	
220	802955	HEX. NUT	1	
230	EM923023	WASHER, FLAT	1	
280	2105164	NUT, LOCK	2	
370	521742	HOSE, HYDRAULIC	1	
600	EM25497	FITTING	2	
840	516411	ADAPTER	2	
960	803695	HOSE, 302-12 LG. 445 MM (1.45 FT.) C/C	2.....	1 PC. = 1 FT.

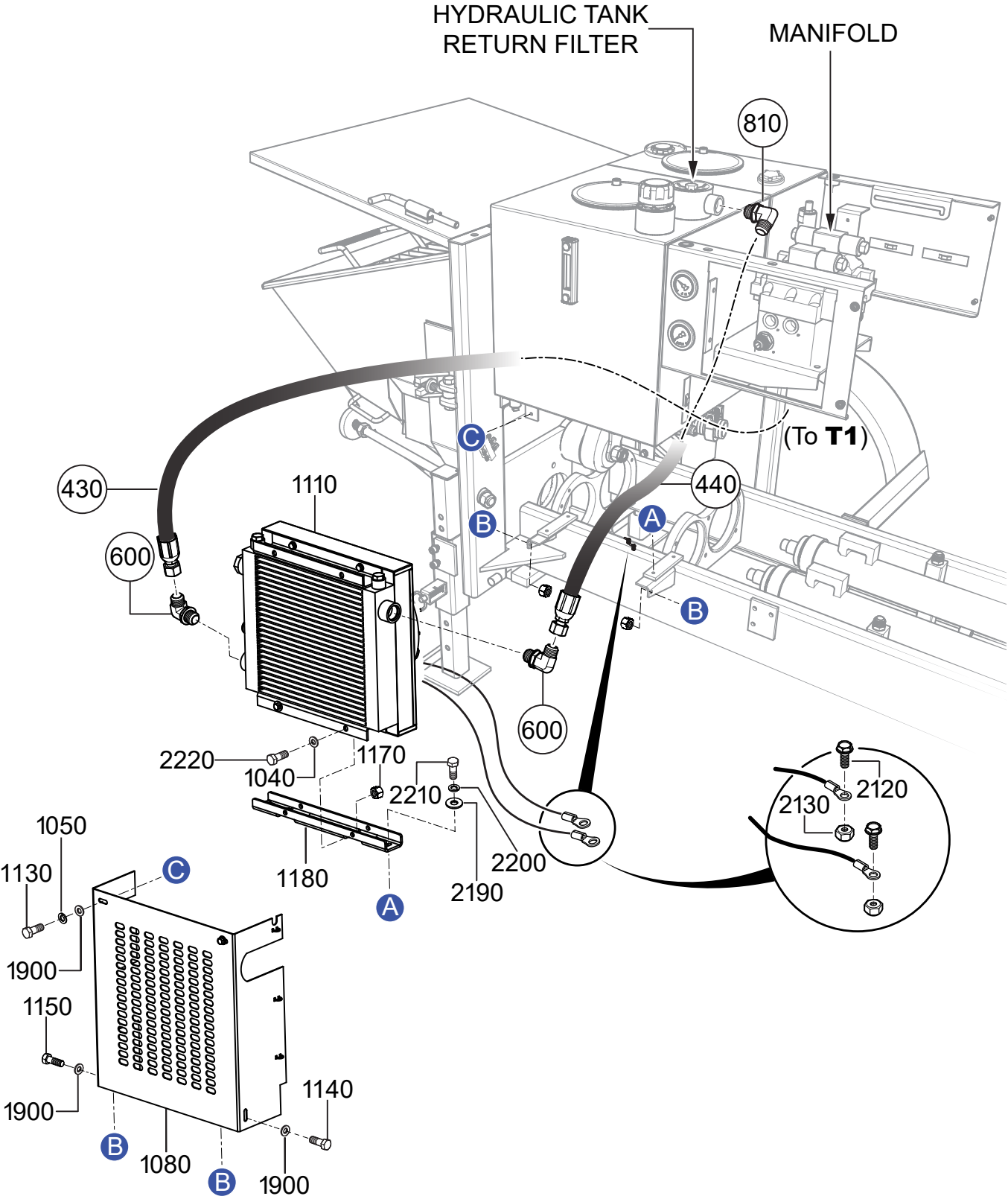
FUEL TANK ASSY.



FUEL TANK ASSY.

<u>NO.</u>	<u>PART NO.</u>	<u>PART NAME</u>	<u>QTY.</u>	<u>REMARKS</u>
740	506094	PLUG, 1/2"	2	
830	42424	CAP, FUEL TANK	1	
1040	EM923023	WASHER, FLAT	2	
1220	EM491686	PIN, COTTER	2	
1580	EM491164	NIPPLE, ELBOW 90°	2	
1800	802875	SUPPORT, TOP COVER	1	
2010	505990	SOCKET HEAD BOLT	2	
2020	520343	O-RING	2	
2030	EM800299	COVER, HYDRAULIC TANK	2	
2040	EM801789	GASKET, TANK SEAL	2	
2050	EM800301	SUPPORT, TANK COVER	2	
2060	513955	STOP SCREW	2	
2070	EM514559	ADAPTER, ELBOW 90° MALE	2	
2140	806435	SENDER, FUEL LEVEL	1	

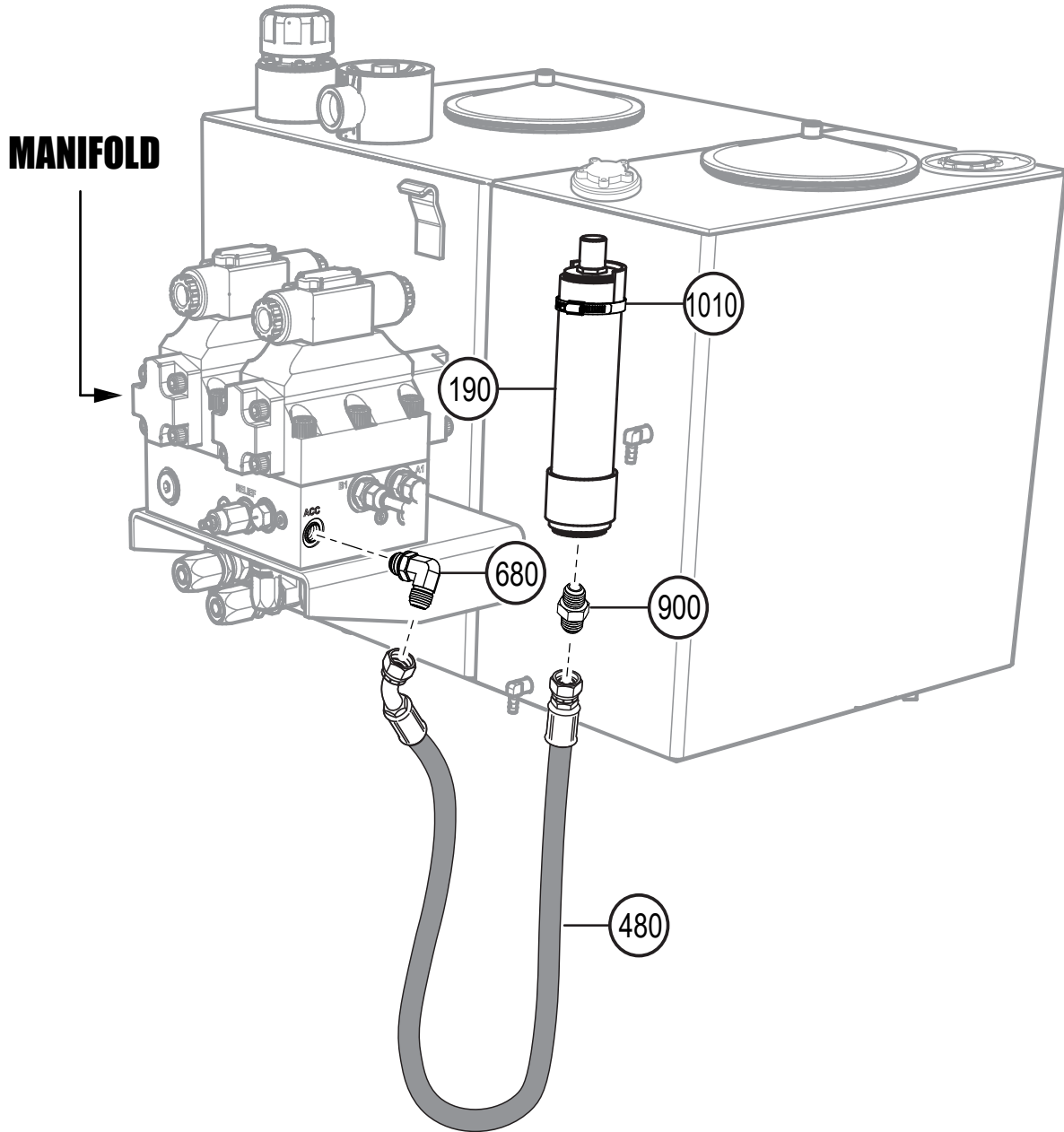
HEAT EXCHANGER ASSY.



HEAT EXCHANGER ASSY.

<u>NO.</u>	<u>PART NO.</u>	<u>PART NAME</u>	<u>QTY.</u>	<u>REMARKS</u>
430	518000	HOSE (3.87 FT.)	1	
440	518001	HOSE, (2.00 FT.)	1	
600	EM25497	FITTING	2	
810	EM18436	ELBOW, 90° MALE	1	
1040	EM923023	WASHER, FLAT	2	
1050	EM923343	WASHER, LOCK	2	
1080	516812	COVER, HEAT EXCHANGER	1	
1110	EM98118	HEAT EXCHANGER ASSY., QAD11-12V	1	
1130	492363	HEX. HEAD BOLT	2	
1140	0202	HEX. HEAD BOLT	1	
1150	492303	HEX. HEAD BOLT	1	
1170	2105164	NUT, NYLON	2	
1180	522063	SUPPORT	1	
1900	EM923057	WASHER, FLAT	4	
2120	512367	CAP SCREW	2	
2130	503119	NUT, LOCK	2	

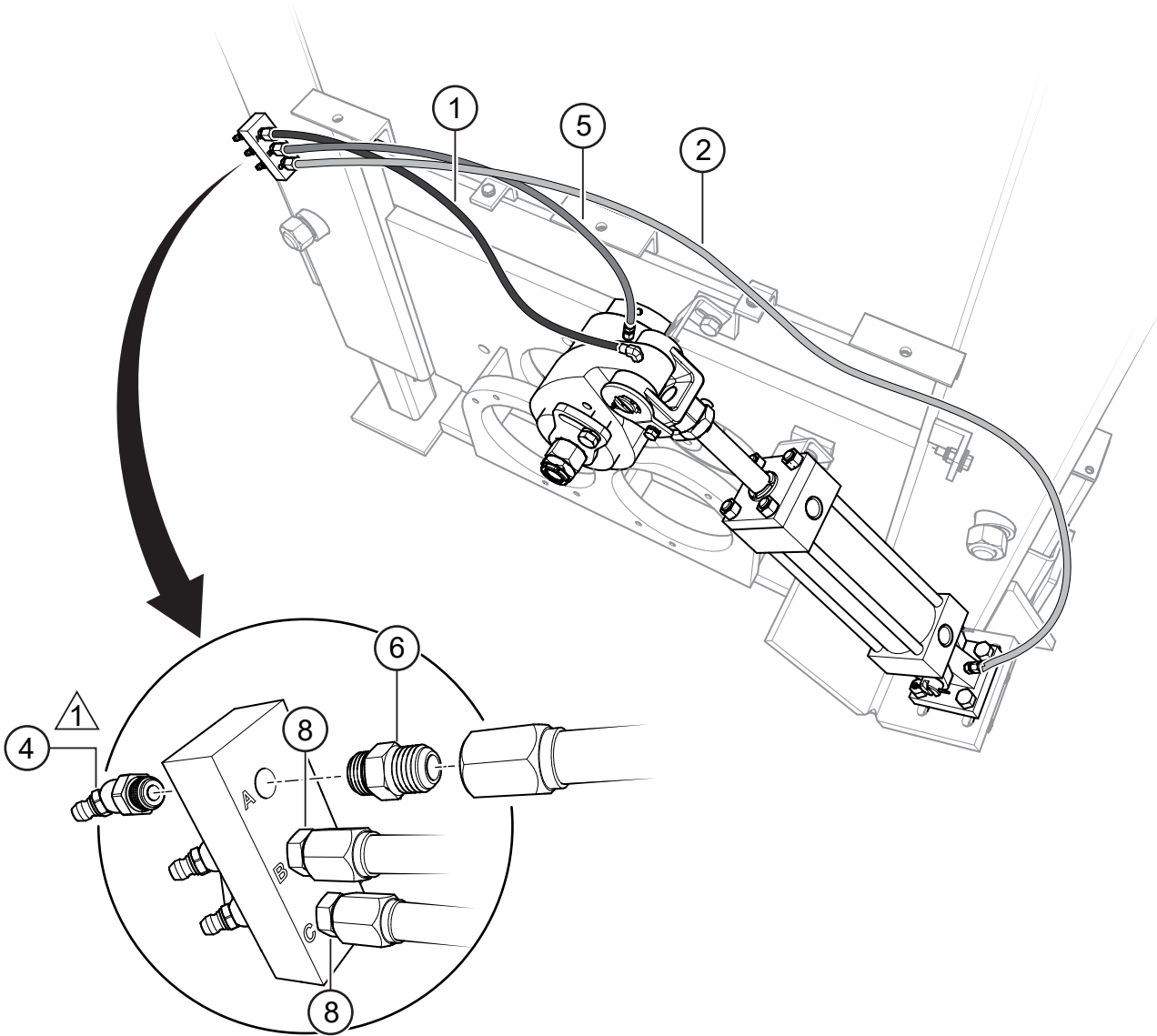
PISTON ACCUMULATOR ASSY.



PISTON ACCUMULATOR ASSY.

<u>NO.</u>	<u>PART NO.</u>	<u>PART NAME</u>	<u>QTY.</u>	<u>REMARKS</u>
190	EM98265	ACCUMULATOR, 1 PINT	1	
480	518009	HOSE, (2.27 FT)	1	
680	511803	ADAPTER ELBOW, 90° MALE	1	
900	518192	FITTING, STRAIGHT	1	
1010	EM513126	CLAMP	1	

LUBRICATION PANEL ASSY.



POSITION	LOCATION	LENGTH OF LINES
A	CLEVIS GREASE POINT	34 in. (1.1 m)
B	SWING AXLE BUSHING GREASE POINT	26 in. (.85 m)
C	PIVOT BRACKET GREASE POINT	41 in. (1.5 m)

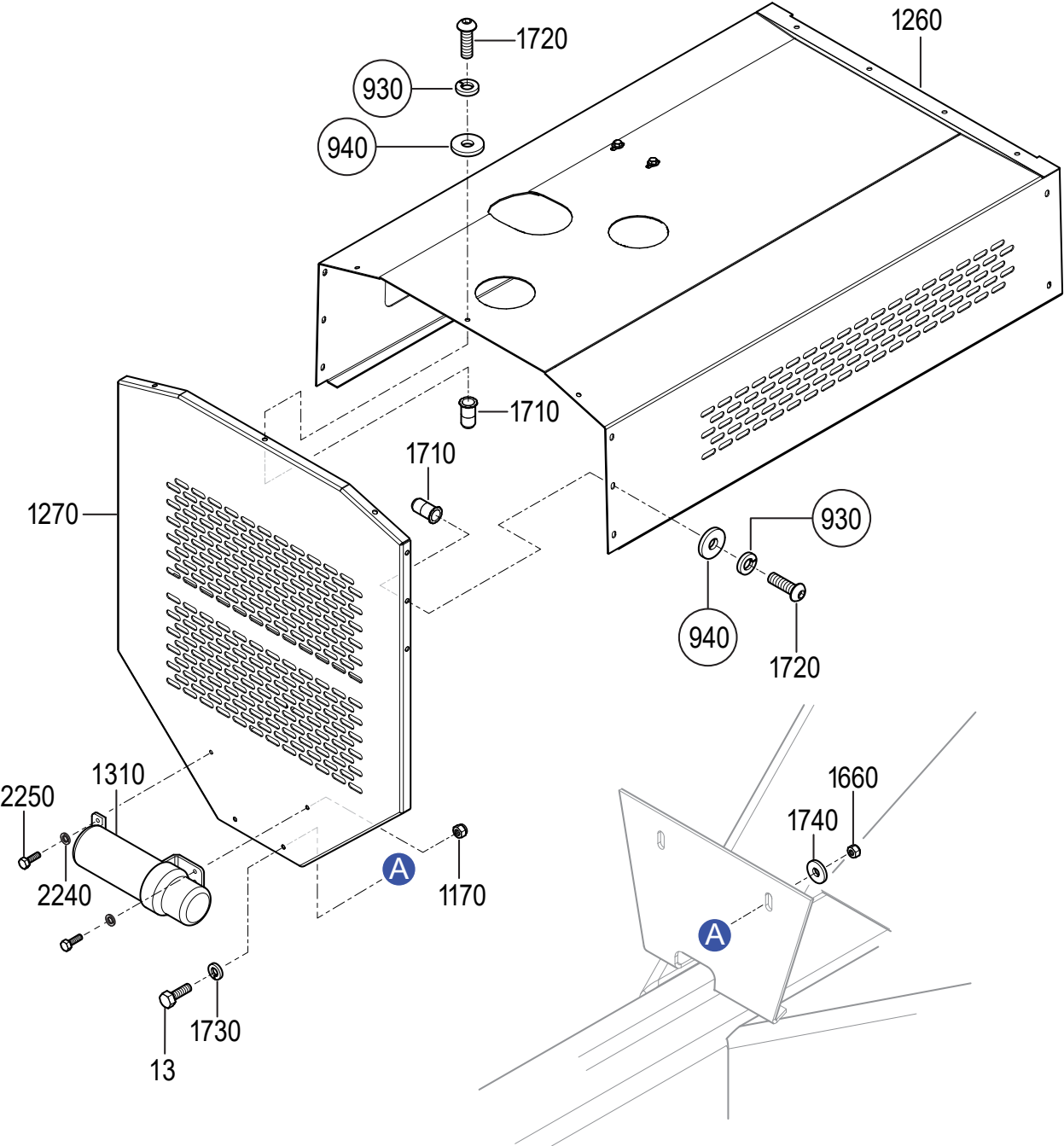
NOTE:

- 1 GREASE DAILY, TWO OR THREE SHOTS OF #2 MULTIPURPOSE AUTOMOTIVE GREASE. OVERGREASING ANY BEARING WILL NOT DAMAGE THE MACHINE. ALWAYS GREASE **BEFORE AND AFTER OPERATION.**

LUBRICATION PANEL ASSY.

<u>NO.</u>	<u>PART NO.</u>	<u>PART NAME</u>	<u>QTY.</u>	<u>REMARKS</u>
1	802639	HOSE, RUBBER	1	
2	EM505516	HOSE, PLASTIC.....	AR.....	1 PC = 1 FT
4	EM491701	FITTING, ZERK GREASE	3	
5		STEEL LINE.....	AR.....	OBTAIN LOCALLY
6	515328	ADAPTER, FITTING	1	
8	EM510684	FITTING, GREASE	2	

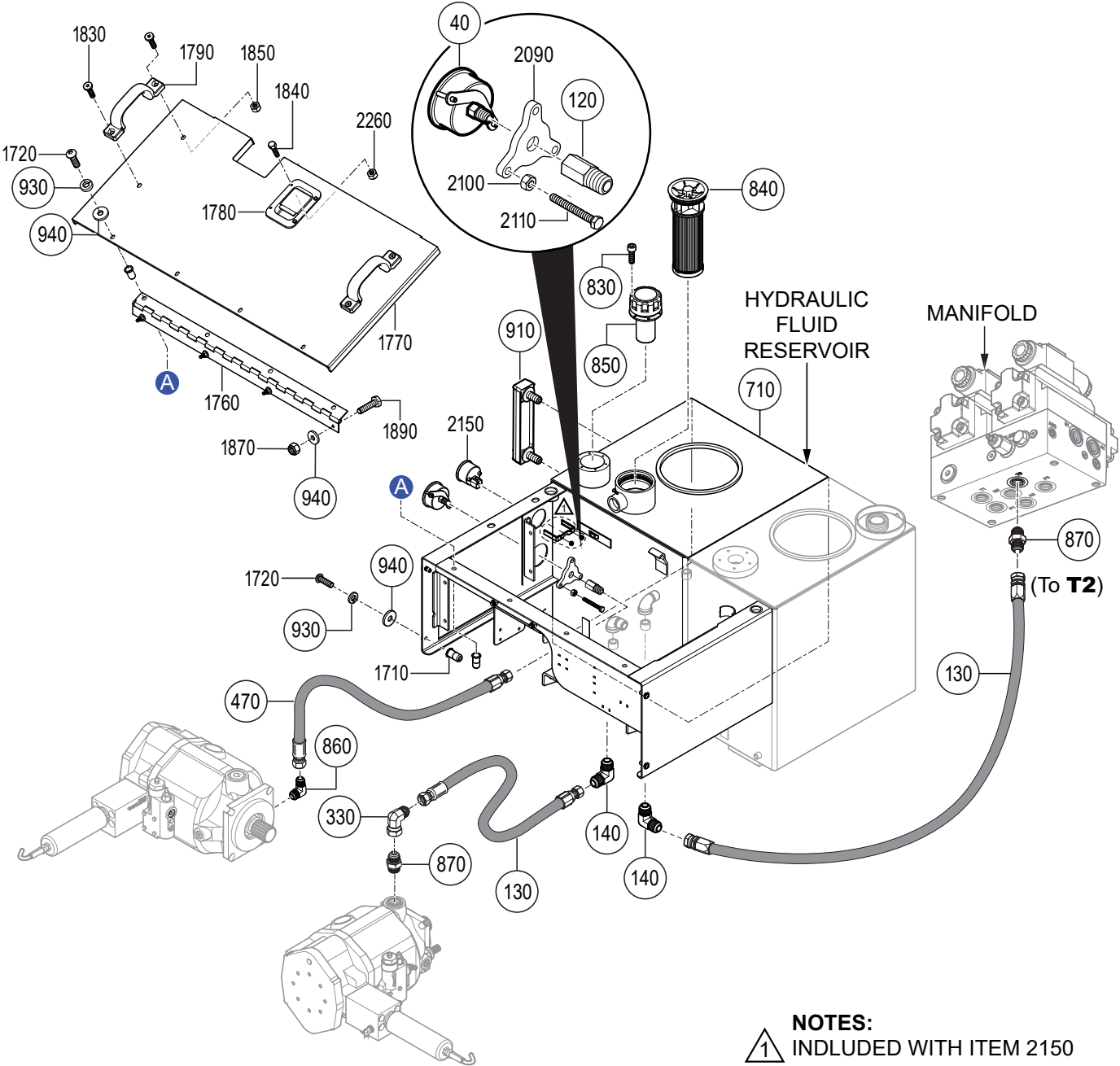
ENGINE COVER ASSY.



ENGINE COVER ASSY.

<u>NO.</u>	<u>PART NO.</u>	<u>PART NAME</u>	<u>QTY.</u>	<u>REMARKS</u>
13	492356	HEX. HEAD BOLT	2	
930	2101402	WASHER, LOCK	21	
940	DULT100531	WASHER, FLAT	25	
1170	2105164	NUT, NYLON	2	
1260	EM808818	COVER, TOP ENGINE	1	
1270	EM808819	COVER, FRONT ENGINE	1	
1310	23297	MANUAL HOLDER	1	
1660	492581	NUT, LOCK	2	
1710	DULT100602	RIVET, NUT	21	
1720	DULT100255	CAP SCREW	21	
1730	2101402	WASHER, LOCK	2	
1740	DULT100531	WASHER, FLAT	2	
2240	EM923057	WASHER, FLAT	2	
2250	492302	HEX. HEAD BOLT	2	

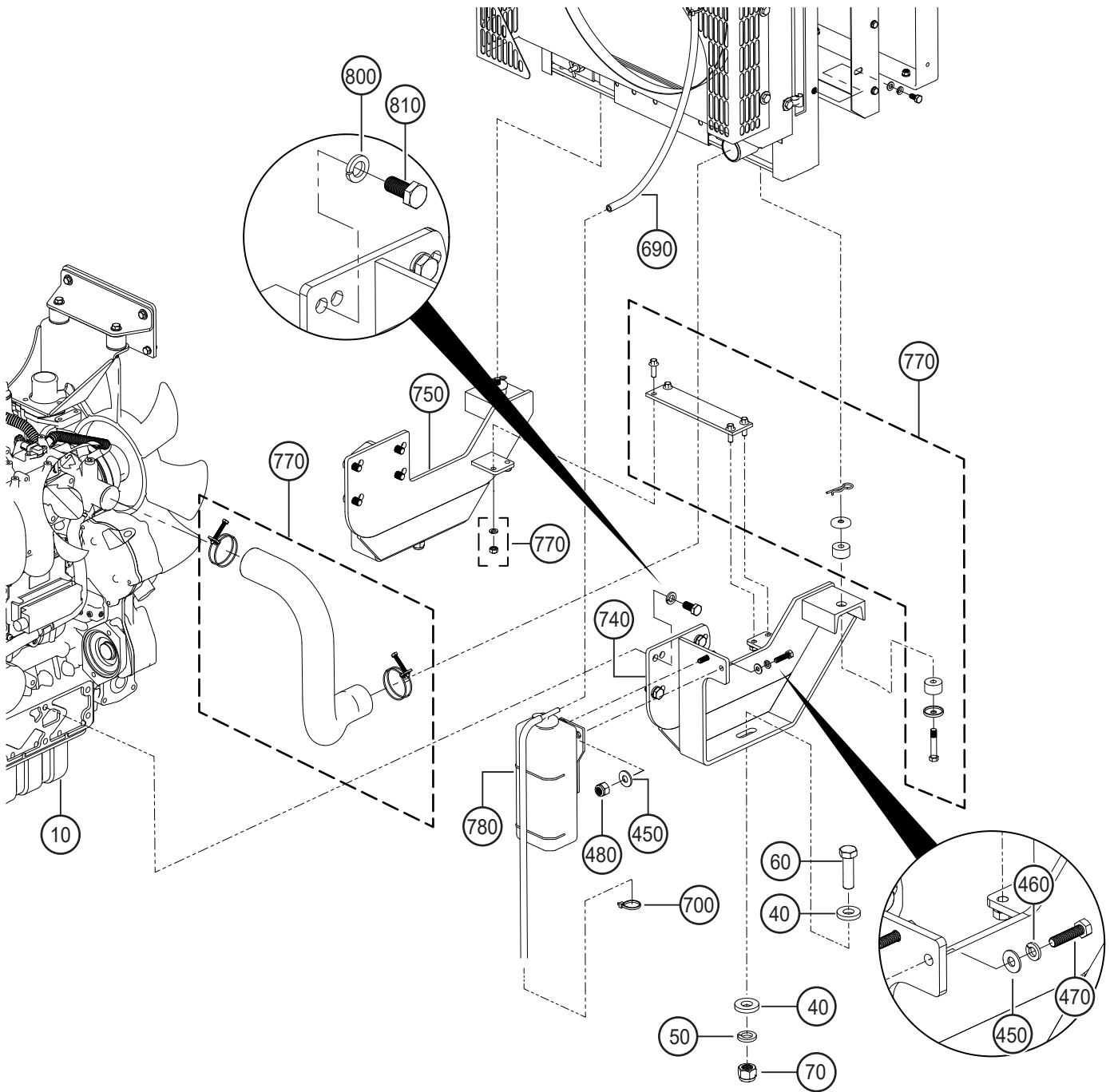
HYDRAULIC TANK ASSY.



HYDRAULIC TANK ASSY.

<u>NO.</u>	<u>PART NO.</u>	<u>PART NAME</u>	<u>QTY.</u>	<u>REMARK</u>
40	EM97067	GAUGE, 5000 PSI HYDRAULIC	1	
120	EM25523	ADAPTER, PRESSURE GAUGE	1	
130	518010	HOSE, (2.5 FT.)	2	
140	509784	ADAPTER ELBOW, 90° MALE	2	
330	EM509353	ELBOW	1	
470	EM518008	HOSE, HYDRAULIC	1	
710	808816	TANK, HYDRAULIC/FUEL	1	
830	492267	SOCKET HEAD BOLT	6	
840	EM98245	FILTER, HYDRAULIC TANK	1	
850	EM98263P	CAP FILLER, HYDRAULIC TANK	1	
860	EM25429	FITTING, ELBOW 90°	1	
870	EM491372	ADAPTER, STRAIGHT	2	
910	EM98188	SIGHT GAUGE	1	
930	2101402	WASHER, LOCK	12	
940	DULT100531	WASHER, FLAT	12	
1710	DULT100602	NUT, RIVET	12	
1720	DULT100255	CAP SCREW	12	
1760	521262	HINGE, TANK	1	
1770	808820	COVER W/ BUSHING, HYD. TANK	1	
1780	802579	STAINLESS STEEL PLATE LOCK	1	
1790	802751	HANDLE, COVER	2	
1830	513312	FLAT HEAD BOLT	4	
1840	512367	HEX. HEAD BOLT	4	
1850	492581	NUT, LOCK	4	
1870	492581	NUT, LOCK	4	
1890	492357	HEX. HEAD BOLT	4	
2090	804077	BRACKET, GAUGE	1	
2100	2105164	HEX. NUT	3	
2110	518702	HEX. HEAD BOLT	3	
2150	42424	FUEL GAUGE	1	
2260	503119	NUT, LOCK	4	

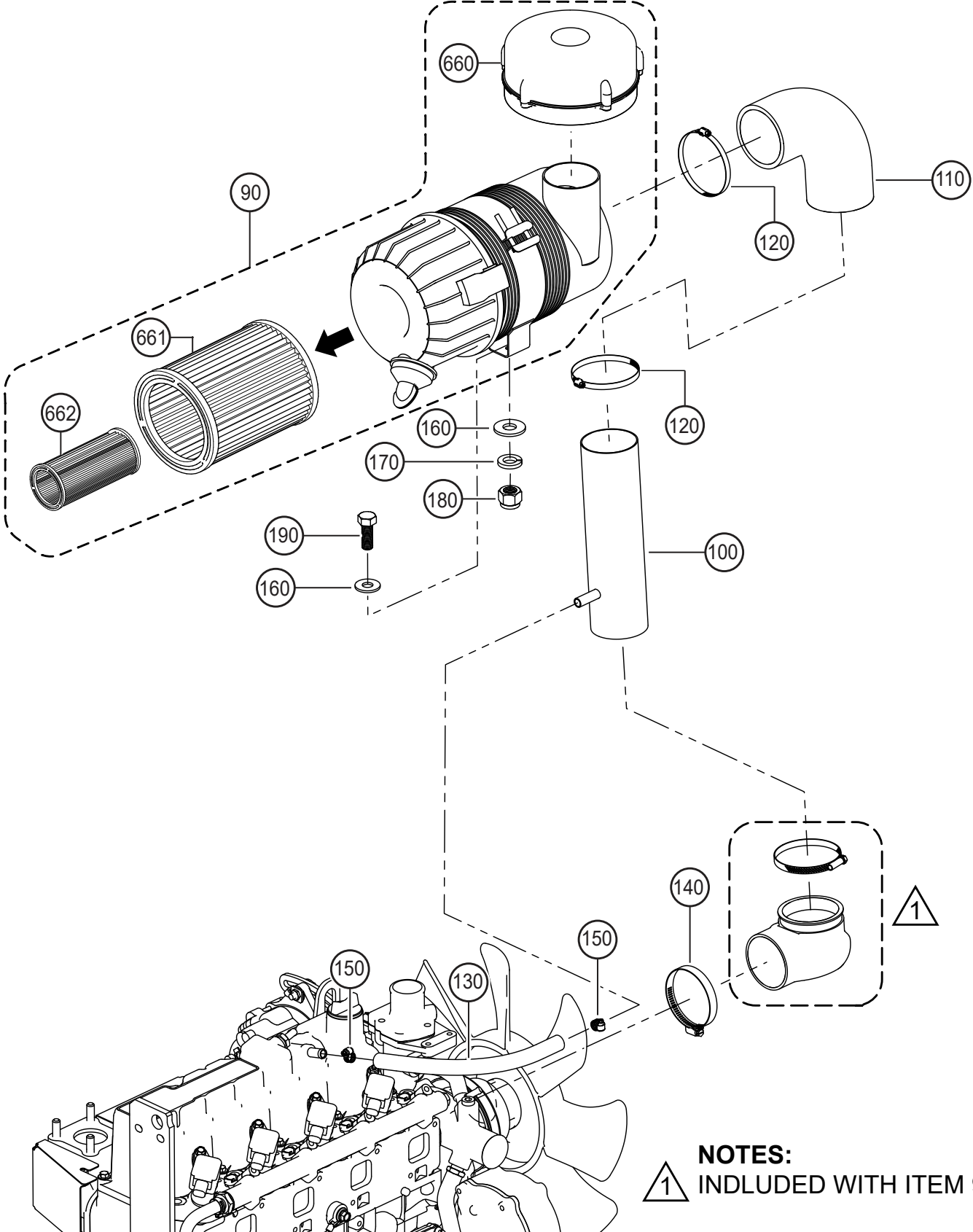
ENGINE MOUNTING ASSY.



ENGINE MOUNTING ASSY.

<u>NO.</u>	<u>PART NO.</u>	<u>PART NAME</u>	<u>QTY.</u>	<u>REMARK</u>
10	EM808591	ENGINE, KUBOTA 87HP	1	
40	EM621	WASHER FLAT	4	
50	6109180	WASHER, LOCK	2	
60	521531	HEX. HEAD BOLT	2	
70	492584	LOCK NUT	2	
450	EM923057	WASHER, FLAT	4	
460	EM923343	WASHER, LOCK	2	
470	492303	HEX. HEADBOLT	2	
480	2105164	HEX. NUT	2	
690	514536	HOSE, 4FLH 5/16"	1	
700	509699	CABLE TIE	1	
740	808808	SUPPORT, FRONT (LEFT)	1	
750	808809	SUPPORT, FRONT (RIGHT)	1	
770	EM808593	RADIATOR MOUNTING KIT	1	
780	EM808671	RESERVOIR, COOLANT	1	
800	6109180	WASHER, LOCK	8	
810	517482	HEX. HEAD BOLT	8	

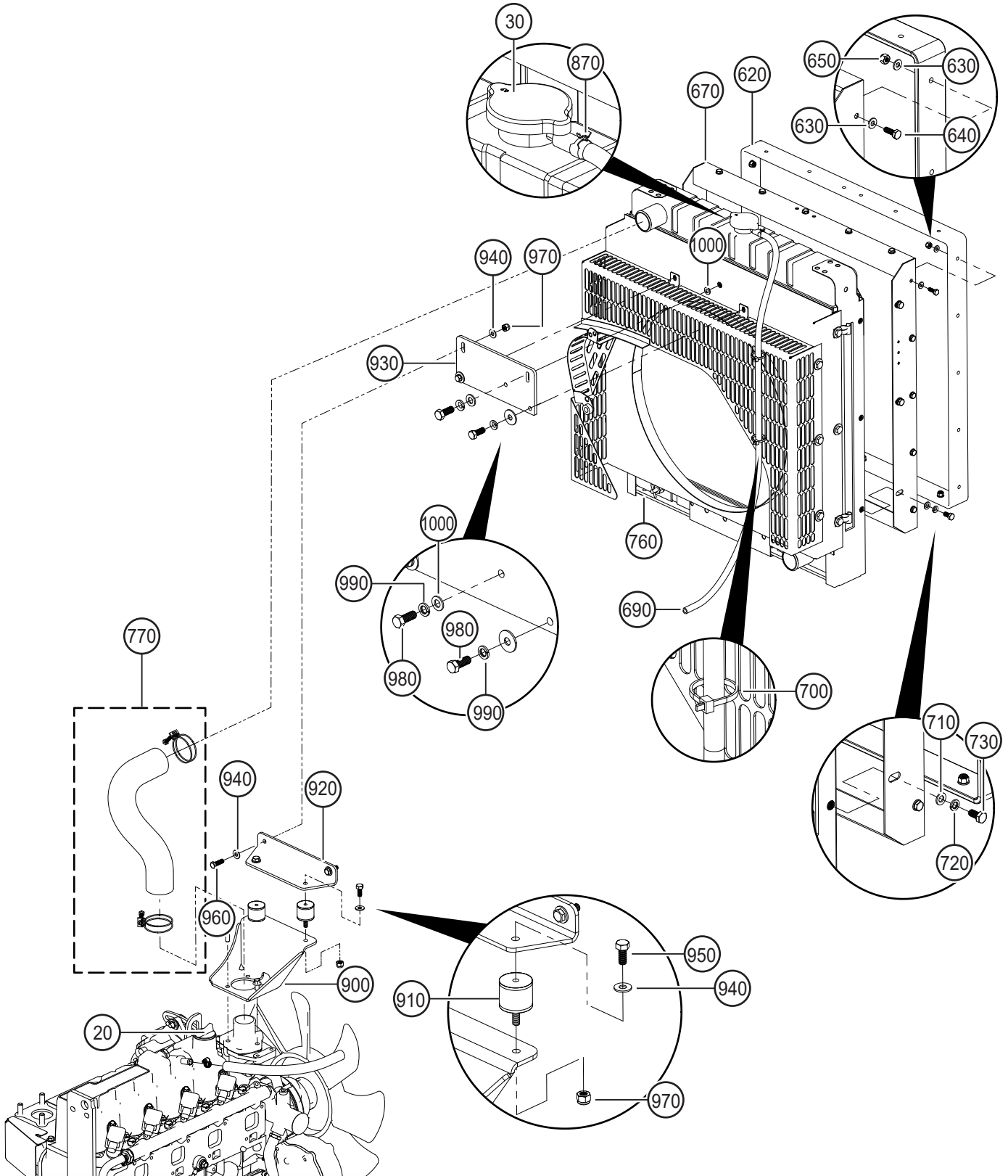
AIR FILTER ASSY.



AIR FILTER ASSY.

<u>NO.</u>	<u>PART NO.</u>	<u>PART NAME</u>	<u>QTY.</u>	<u>REMARK</u>
90	EM807145	AIR FILTER ASSEMBLY	1.....	INCLUDES ITEMS W/#
100	808803	AIR INLET TUBE	1	
110	009104110004	ELBOW, 3" RUBBER 90°	1	
120	804495	CLAMP, HS-52	2	
130	519618	WATER HOSE, 1/2" (3 FT.)	1	
140	EM510725	CLAMP, AIR DUCTING	1	
150	515468	CLAMP, HS-6	2	
160	EM923023	WASHER, FLAT	4	
170	0166 A	WASHER, LOCK	2	
180	EM969013	NUT, NYLOK	2	
190	EM963610	CAP SCREW	2	
660#	EM807146	PRE-FILTER, AIR	1	
661#	EM807145A	ELEMENT, PRIMARY AIR FILTER	1	
662#	EM807145B	ELEMENT, SAFETY AIR FILTER	1	

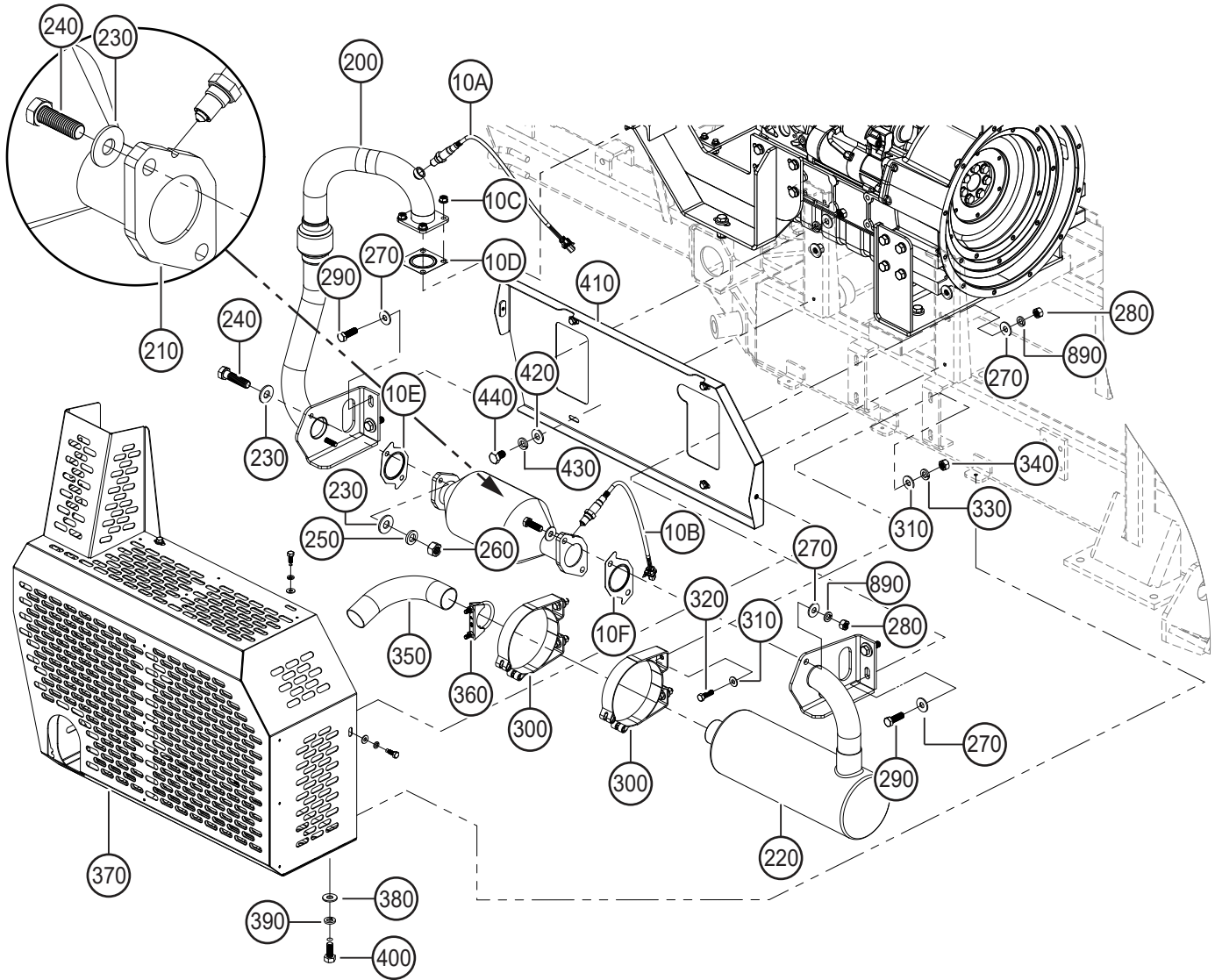
RADIATOR ASSY.



RADIATOR ASSY.

<u>NO.</u>	<u>PART NO.</u>	<u>PART NAME</u>	<u>QTY.</u>	<u>REMARK</u>
20	1C01033080	CAP, OIL FILLER	1	
30	7200000519	CAP, RADIATOR	1	
620	801586	RUBBER SEAL	1	
630	492595	WASHER, FLAT	42	
640	492356	HEX. HEAD BOLT	21	
650	492581	HEX. NUT	21	
670	808807	VENTILATION DUCT	1	
690	514536	HOSE	1	
700	509699	CABLE TIE	2	
710	100494	WASHER, FLAT	6	
720	03020820	WASHER, LOCK	6	
730	100265	HEX. HEAD BOLT	6	
760	EM808592	RADIATOR MOUNTING KIT	1	
770	EM808593	RADIATOR MOUNTING KIT	1	
870	802575	CLAMP	1	
900	808811	SUPPORT, UPPER	1	
910	EM505201	SHOCK MOUNT	2	
920	808812	BRACKET	1	
930	808813	UPPER RADIATOR BASE	1	
940	EM923057	WASHER, FLAT	6	
950	492363	HEX. HEAD BOLT	2	
960	EM492302	CAP SCREW	2	
970	2105164	HEX. NUT	4	
980	EM506886	HEX. HEAD BOLT	2	
990	030208200	WASHER, LOCK	2	
1000	100494	WASHER, FLAT	2	

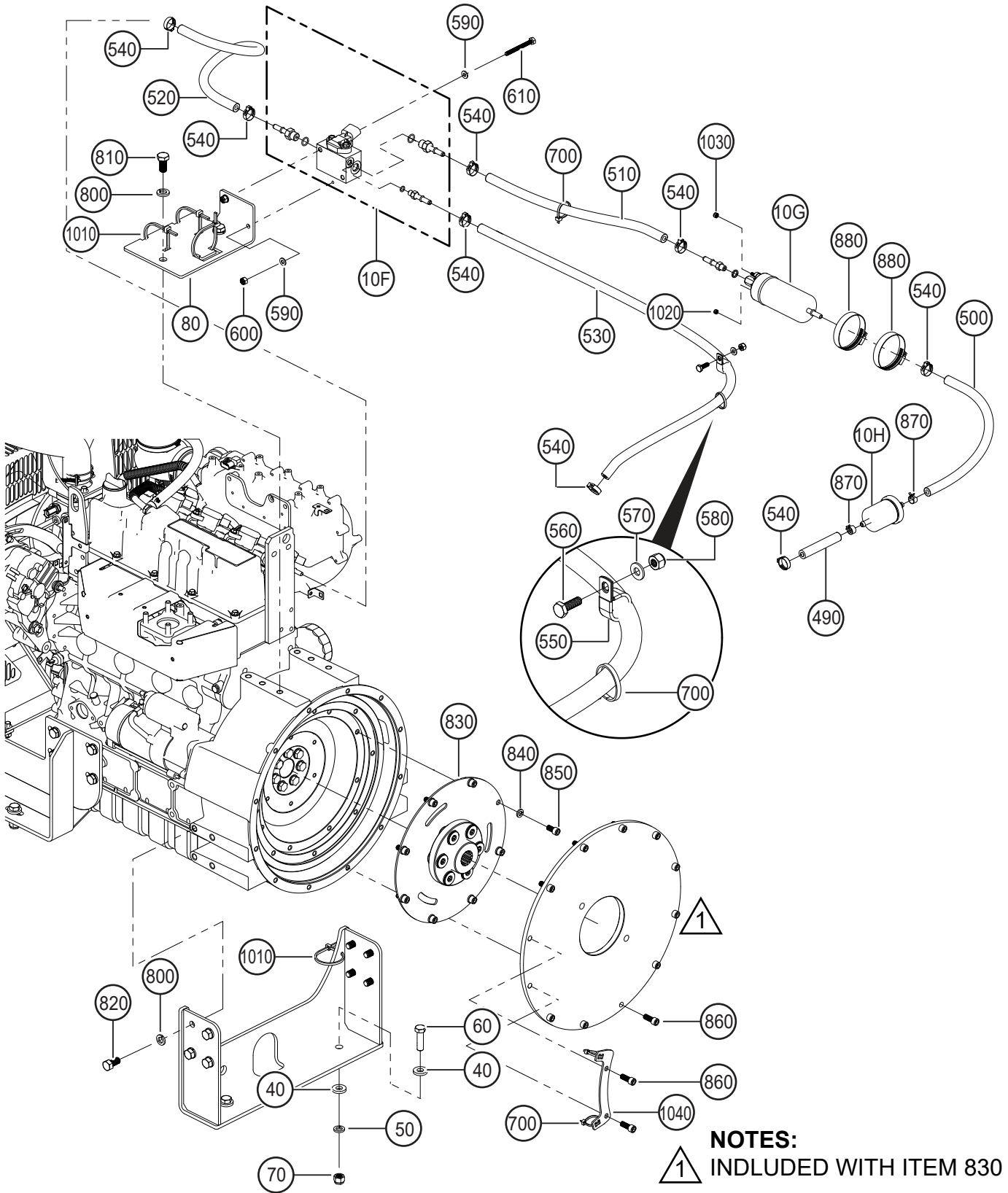
EXHAUST ASSY.



EXHAUST ASSY.

<u>NO.</u>	<u>PART NO.</u>	<u>PART NAME</u>	<u>QTY.</u>	<u>REMARK</u>
10A	EG52312240	SENSOR, OXYGEN	1	
10B	EG52312240	SENSOR, OXYGEN	1	
10C	0277650100	HEX. NUT	4	
10D	1C01112230	GASKET, EXHAUST PIPE	1	
10E	EG52312730	GASKET, CATALYTIC	1	
10F	EG52312380	GASKET, CATALYTIC	1	
200	808795	EXHAUST PIPE	1	
210	EM808597	CATALYTIC CONVERTER	1	
220	808804	MUFFLER	1	
230	EM923023	WASHER, FLAT	6	
240	EM963057	HEX. HEAD BOLT	4	
250	0166 A	WASHER, LOCK	2	
260	1456	HEX. NUT	2	
270	EM492599	WASHER, FLAT	10	
280	6109160	HEX. NUT	4	
290	EM963102	HEX. HEAD BOLT	4	
300	521020	CLAMP	2	
310	492597	WASHER, FLAT	8	
320	EM963610	HEX. HEAD BOLT	4	
330	0166 A	WASHER, LOCK	4	
340	EM492554	HEX. NUT	4	
350	806780	OUTLET ELBOW	1	
360	510882	CLAMP	1	
370	808805	COVER, MUFFLER	1	
380	EM923057	WASHER, FLAT	7	
390	EM923343	WASHER, LOCK	7	
400	492363	HEX. HEAD BOLT	7	
410	808806	HEAT SHIELD	1	
420	EM923057	WASHER, FLAT	4	
430	EM923343	WASHER, LOCK	4	
440	EM492299	HEX. HEAD BOLT	4	
890	6109180	WASHER, LOCK	4	

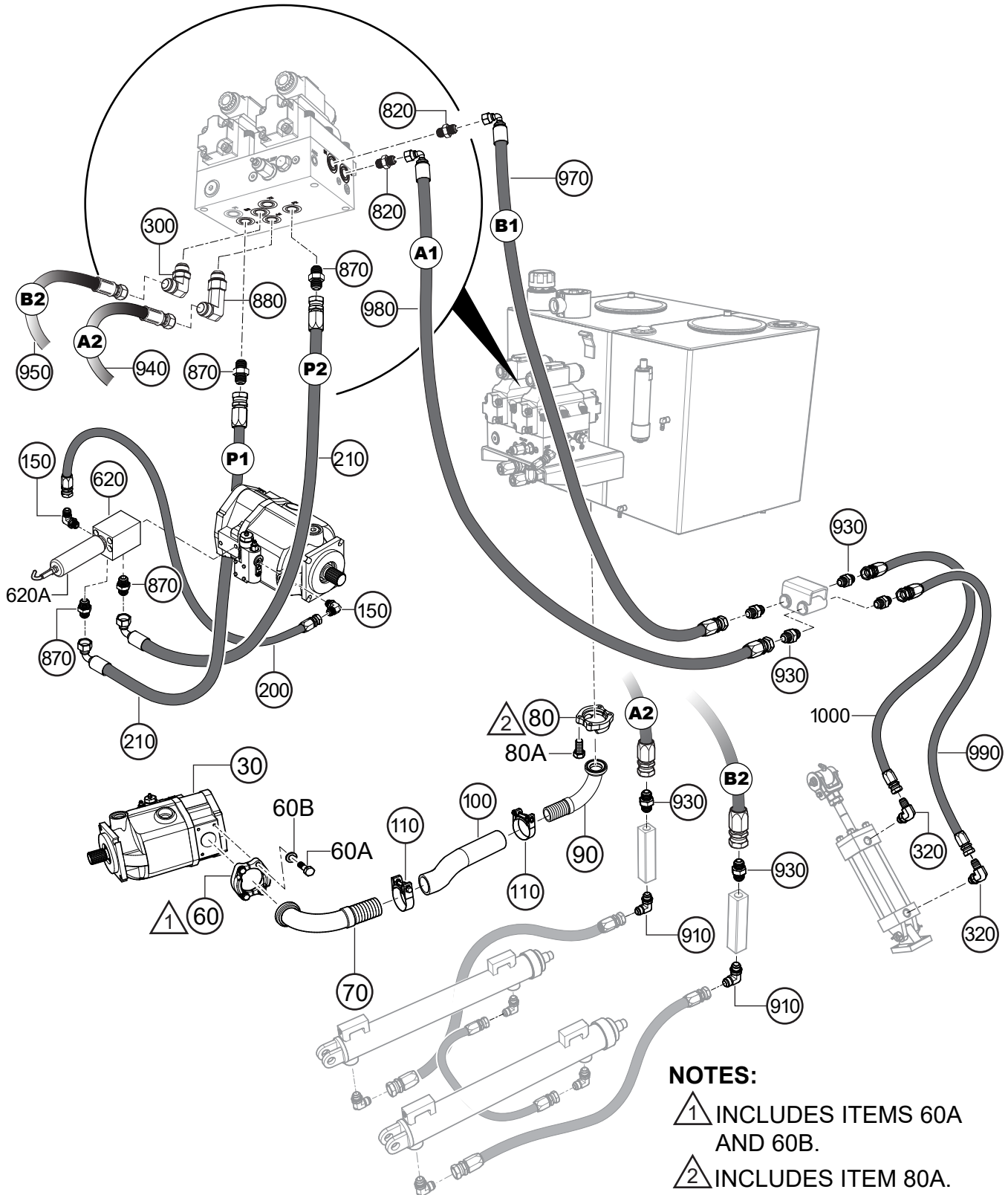
FUEL SYSTEM ASSY.



FUEL SYSTEM ASSY.

<u>NO.</u>	<u>PART NO.</u>	<u>PART NAME</u>	<u>QTY.</u>	<u>REMARK</u>
10F	EG52252070	FUEL PRESSURE MANIFOLD	1	
10G	EG52252020	FUEL PUMP	1	
10H	1258143012	IN-LINE FILTER	1	
40	EM621	WASHER, FLAT	4	
50	6109180	WASHER, LOCK	4	
60	521531	HEX. HEAD BOLT	2	
70	492584	LOCK NUT	2	
80	808802	MANFOLD SUPPORT	1	
490	42459	RUBBER HOSE (3.54 IN.)	AR	1 PC. = 1 FT.
500	42459	RUBBER HOSE (12.60 IN.)	AR	1 PC. = 1 FT.
520	42459	RUBBER HOSE (18.50 IN.)	AR	1 PC. = 1 FT.
530	42459	RUBBER HOSE (12 IN.)	AR	1 PC. = 1 FT.
540	37822	CLAMP	8	
550	801130	CLAMP, HOSE	1	
560	492356	HEX. HEAD BOLT	1	
570	492595	WASHER, FLAT	1	
580	492581	LOCK NUT	1	
590	492595	WASHER, FLAT	4	
600	492581	LOCK NUT	2	
610	2508	SCREW	2	
700	509699	CABLE TIE	4	
800	6109180	WASHER, LOCK	10	
810	517482	HEX. HEAD BOLT	2	
820	981635	HEX. HEAD BOLT	8	
830	808797	MOTOR COUPLING KIT	1	
840	0166 A	WASHER, LOCK	8	
850	EM492263	ALLEN SCREW	8	
860	492264	HEX. HEAD BOLT	12	
870	802575	CLAMP	2	
880	515802	CLAMP	2	
1010	517659	CABLE TIE	4	
1020	100060	HEX. NUT	1	
1030	100061	HEX. NUT	1	
1040	808917	CABLE SUPPORT POST, OXYGEN SENSOR	1	

HYDRAULIC PUMP ASSY.



NOTES:

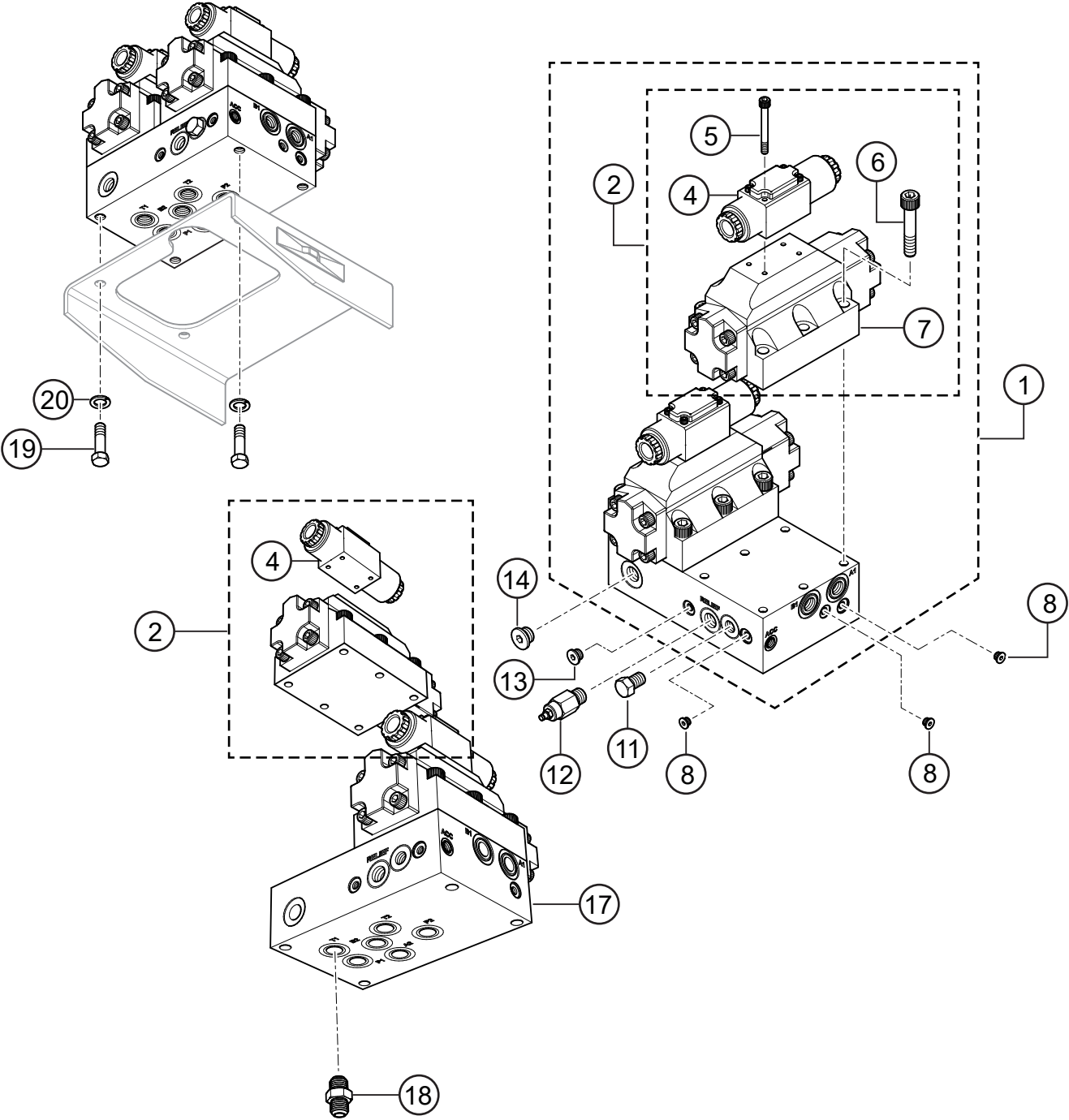
① INCLUDES ITEMS 60A AND 60B.

② INCLUDES ITEM 80A.

HYDRAULIC PUMP ASSY.

<u>NO.</u>	<u>PART NO.</u>	<u>PART NAME</u>	<u>QTY.</u>	<u>REMARK</u>
30	EM801362	HYDRAULIC PUMP	1	
60	EM514628	FLANGE, SUCTION PIPE PUMP SIDE	1	INCLUDES ITEMS W/#
60A#		HEX. HEAD BOLT	4	
60B#		WASHER, LOCK	4	
70	EM514627	ADAPTER, SUCTION PIPE	1	
80	EM514719	FLANGE, SUCTION PIPE	1	INCLUDES ITEMS W/%
80A%		WASHER, LOC	4	
90	EM514718	ADAPTER, SUCTION PIPE	1	
100	EM514623	HOSE, SUCTION 2"	1	
110	EM515207	CLAMP, SUCTION HOSE 2"	2	
150	EM25429	ELBOW	2	
200	516875	HOSE, 381-4 LG. 500 MM C/C (1.64 FT.)	1	
210	518004	HOSE, 301-12 LG. 620 MM C/C (2.03 FT.)	2	
300	EM25459	ELBOW, 3/4"-90	1	
320	3322	FITTING, 90°	2	
620	EM806662	MANIFOLD ASSEMBLY, FLOW CONTROL	1	
620A	EM98273	FLOW CONTROL CARTRIDGE	1	
820	513548	ADAPTER	2	
870	EM491372	ADAPTER	4	
880	EM514488	ADAPTER	1	
910	509784	ADAPTER	2	
930	516675	ADAPTER	6	
940	803693	HOSE, 302-12 LG. 780 MM (2.55 FT.)	1	
950	803694	HOSE, 302-12 LG. 890 MM (2.91 FT.)	1	
970	803696	HOSE, 302-10 LG. 455 MM (1.49 FT.)	1	
980	803697	HOSE, 302-10 LG. 475 MM (1.55 FT.)	1	
990	803698	HOSE, 302-10 LG. 663 MM (2.17 FT.)	1	
1000	803699	HOSE, 302-10 LG. 503 MM (1.65 FT.)	1	

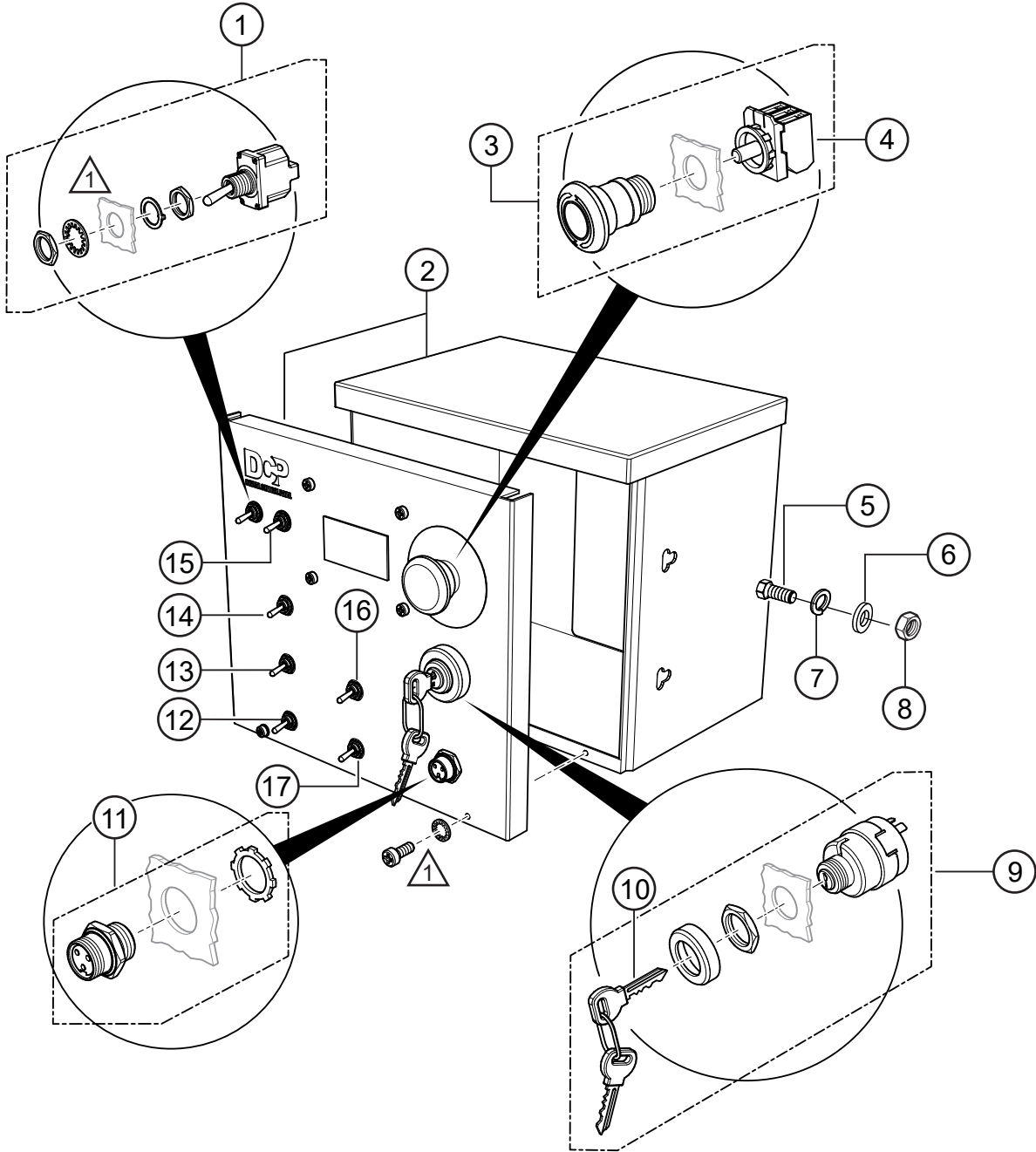
MANIFOLD ASSY.



MANIFOLD ASSY.

<u>NO.</u>	<u>PART NO.</u>	<u>PART NAME</u>	<u>QTY.</u>	<u>REMARK</u>
1	EM98243A	MANIFOLD ASSEMBLY.....	2.....	INCLUDES ITEMS W/%
2%	EM98221	CYCLING VALVE, SWING W/PILOTS.....	2.....	INCLUDES ITEMS W/\$
4%\$	EM98222	PILOT VALVE, SHUTTLE	2	
5%\$		SOCKET HEAD BOLT	8.....	CONTACT MQ PARTS DEPT.
6%\$		SOCKET HEAD BOLT	12.....	CONTACT MQ PARTS DEPT.
7%\$		SWING VALVE.....	1.....	CONTACT MQ PARTS DEPT.
8		PLUG	3.....	CONTACT MQ PARTS DEPT.
11		PLUG	1.....	CONTACT MQ PARTS DEPT.
12	EM98276	RELIEF VALVE	1	
13		PLUG	3.....	CONTACT MQ PARTS DEPT.
14		PLUG	3.....	CONTACT MQ PARTS DEPT.
17		BODY.....	1.....	CONTACT MQ PARTS DEPT.
19	EM963692	CAP SCREW	4	
18	EM514231	ADAPTER	1	
20	6109180	WASHER, LOCK	4	

CONTROL BOX ASSY.



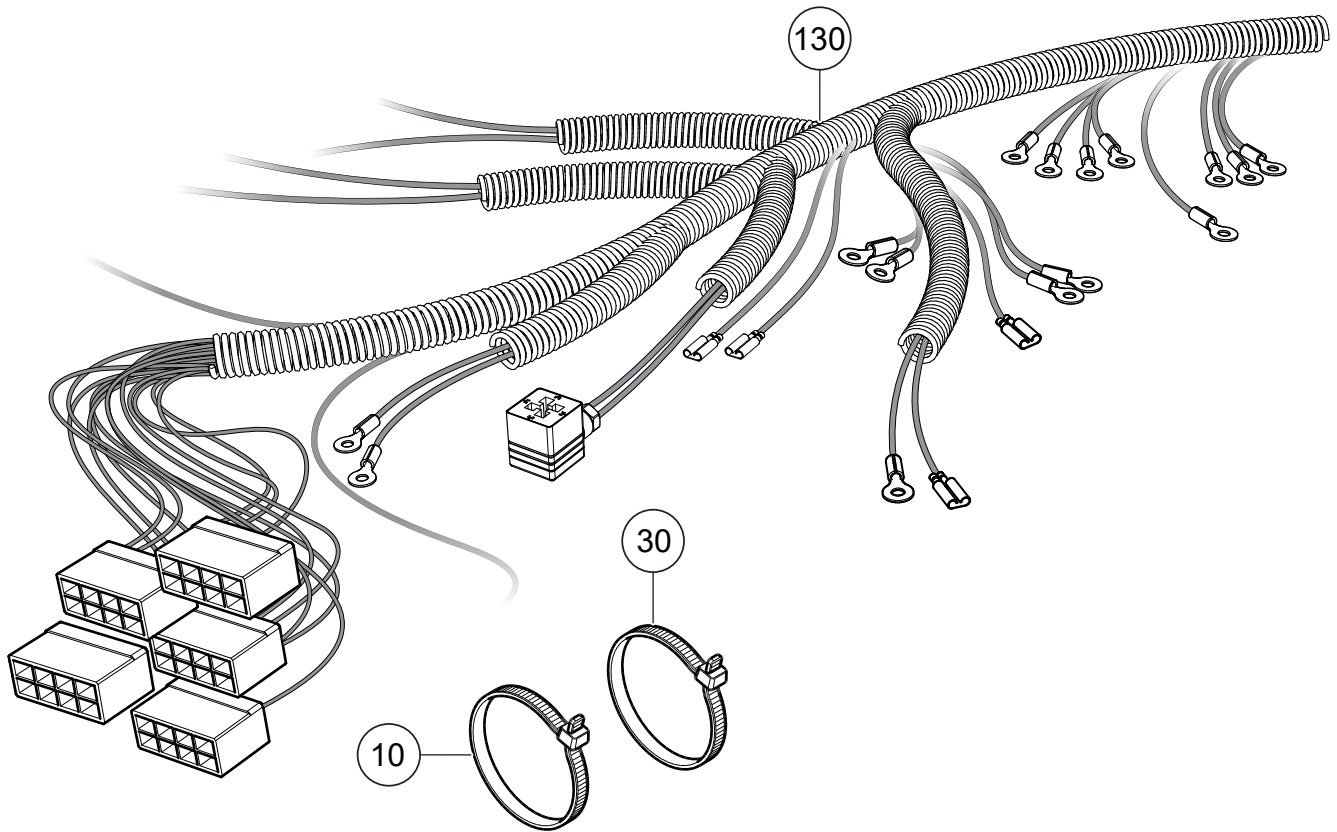
NOTES:

△ PART OF FRONT PANEL.

CONTROL BOX ASSY.

<u>NO.</u>	<u>PART NO.</u>	<u>PART NAME</u>	<u>QTY.</u>	<u>REMARKS</u>
1	Z300262	SWITCH, SCROLLING, JOG, VOL. RESET	1	
2	EM517648B	PANEL, CONTROL DIGITAL LS PUMPS	1	
3	EM517177	SWITCH ASSEMBLY	1	INCLUDES ITEMS W/#
4#	EM517186	CONTACT BLOCK	1	
5	0202	SCREW HHC 5/16" X 18 X 1	4	
6	EM923023	WASHER, FLAT 5/16"	4	
7	EM923343	WASHER, LOCK 5/16"	4	
8	2105164	NUT, NYLON 5/16-18	4	
9	EM98206	SWITCH, IGNITION.....	1	INCLUDES ITEMS W/\$
10\$	EM98206K	KEY, IGNITION SWITCH	1	
11	EM97068	RECEPTACLE, REMOTE	1	
12	Z300261	SWITCH, AUTO AND JOG	1	
13	Z300261	SWITCH, FLOW DIRECTION	1	
14	Z300262	SWITCH, VOLUME	1	
15	Z300262	SWITCH, RESET	1	
16	Z300260	SWITCH, MAIN CONTROL	1	
17	Z300262	SWITCH, JOG A AND B	1	

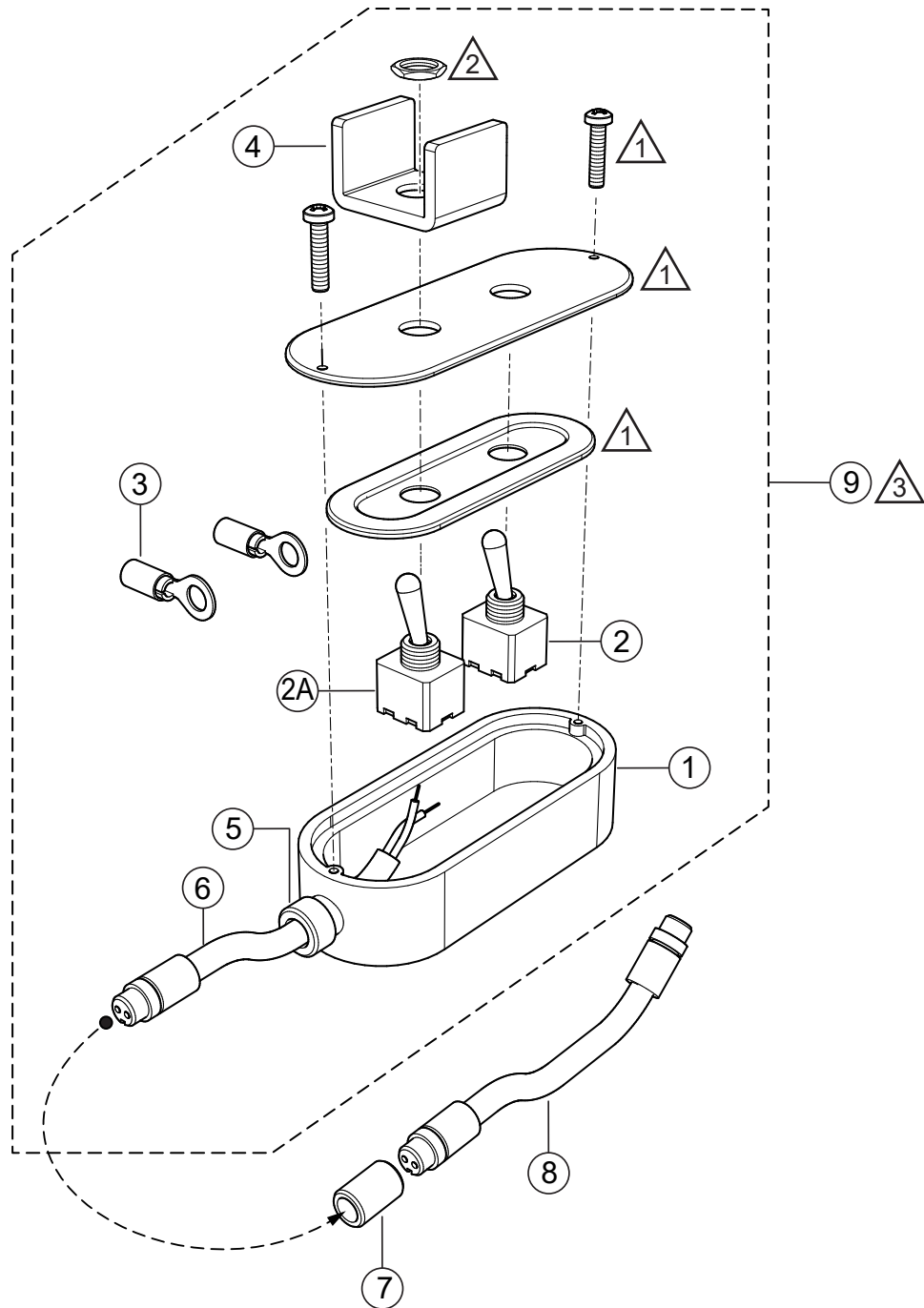
CONTROL BOX HARNESS ASSY.



CONTROL BOX HARNESS ASSY.

<u>NO.</u>	<u>PART NO.</u>	<u>PART NAME</u>	<u>QTY.</u>	<u>REMARK</u>
10	EM491028	WRAP, CABLE TIE	5	
30	491030	WRAP, CABLE TIE	6	
130	808796	WIRE HARNESS, MAIN	1	

REMOTE CONTROL CABLE ASSY.



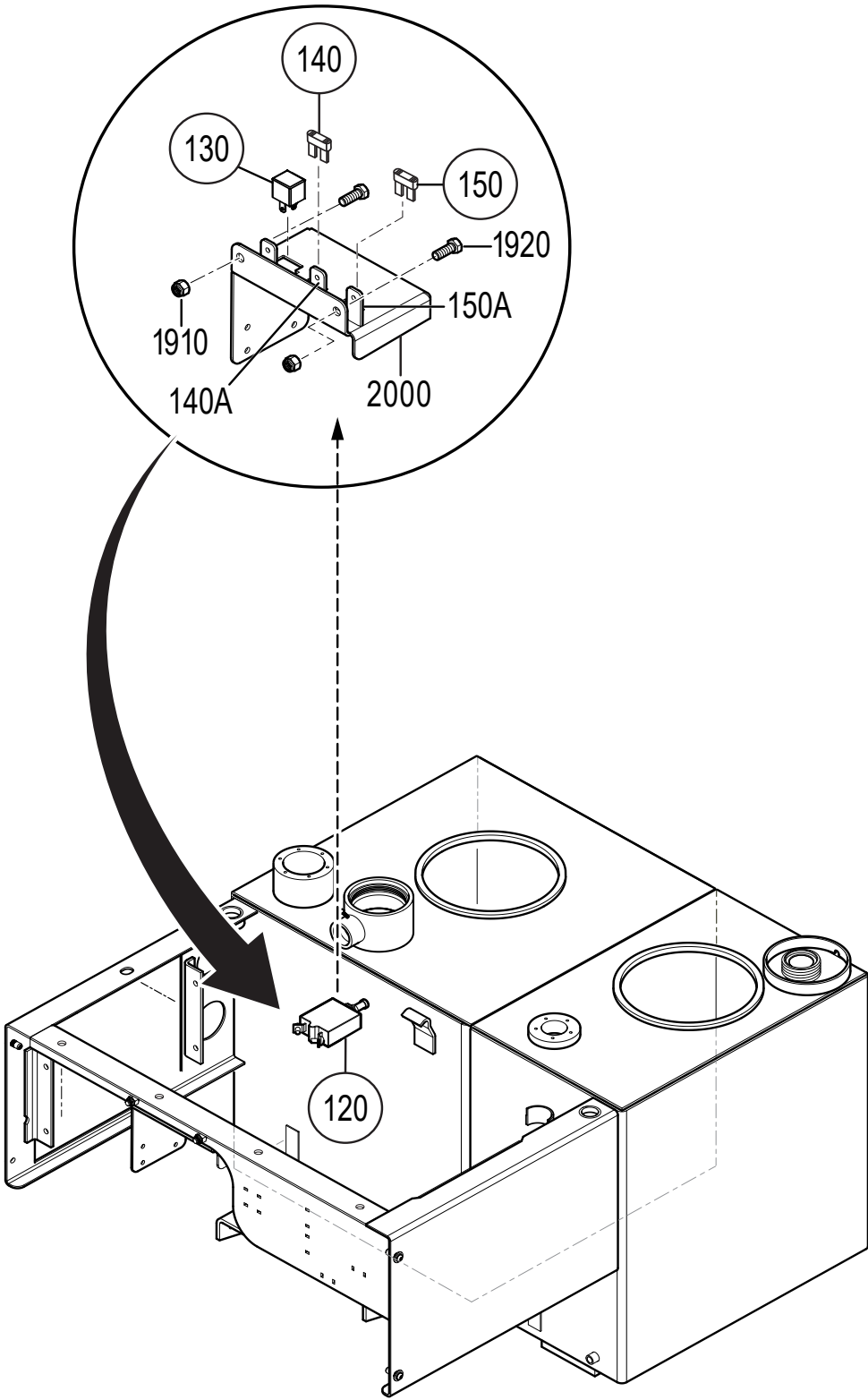
NOTES:

- ① INCLUDED WITH ITEM 1.
- ② INCLUDED WITH ITEMS 2 AND 2A.
- ③ COMPLETE CORD ASSY. INCLUDES ITEMS WITHIN DASHED LINES.

REMOTE CONTROL CABLE ASSY.

<u>NO.</u>	<u>PART NO.</u>	<u>PART NAME</u>	<u>QTY.</u>	<u>REMARK</u>
1\$	EM16753	JUNCTION BOX	1	
2\$	EM16754	SWITCH	1	
2A\$	EM97075	SWITCH	1	
3\$	EM491897	CONNECTOR, RING 3/16"	4	
4\$	EM16756	GUARD SWITCH, ALUMINUM	2	
5\$	EM26791	SEAL, GRIP CORD	1	
6\$	EM26790	CORD, MX P/E 25 FT.	1	
7	EM26793	ADAPTER, CORD GRIP 1/2"	1	
8	EM97065	CORD, 100 FT., REMOTE CONTROL.....	1.....	OPTION
9	EM97099	CABLE REMOTE CONTROL ASSY. (25 FT.).....	1.....	INCLUDES ITEMS W/\$

FUSES AND RELAYS ASSY.



FUSES AND RELAYS ASSY.

<u>NO.</u>	<u>PART NO.</u>	<u>PART NAME</u>	<u>QTY.</u>	<u>REMARK</u>
120	804996	CIRCUIT BREAKER, HEAT EXCHANGER	1	
130	EM802378	RELAY, HEAT EXCHANGER 40 AMP	1	
140	23284-300	FUSE, MAIN, 30 AMP.	1	
140A	EM98066	HOLDER, FUSE	1	
150	23284-030	FUSE, FUEL, 3 AMP.	1	
150A	EM98066	HOLDER, FUSE	1	
1910	EM969013	HEX. NUT	2	
2000	807191	BOX, FOR RELAYS AND FUSES	1	

PARTS MANUAL

HERE'S HOW TO GET HELP

PLEASE HAVE THE MODEL AND SERIAL
NUMBER ON-HAND WHEN CALLING

UNITED STATES

Multiquip Inc.

(310) 537- 3700
6141 Katella Avenue Suite 200
Cypress, CA 90630
E-MAIL: mq@multiquip.com
WEBSITE: www.multiquip.com

CANADA

Multiquip

(450) 625-2244
4110 Industriel Boul.
Laval, Quebec, Canada H7L 6V3
E-MAIL: infocanada@multiquip.com

UNITED KINGDOM

Multiquip (UK) Limited Head Office

0161 339 2223
Unit 2, Northpoint Industrial Estate, Globe Lane,
Dukinfield, Cheshire SK16 4UJ
E-MAIL: sales@multiquip.co.uk

© COPYRIGHT 2025, MULTIQUIP INC.

Multiquip Inc. and the MQ logo are registered trademarks of Multiquip Inc. and may not be used, reproduced, or altered without written permission. All other trademarks are the property of their respective owners and used with permission.

This manual MUST accompany the equipment at all times. This manual is considered a permanent part of the equipment and should remain with the unit if resold.

The information and specifications included in this publication were in effect at the time of approval for printing. Illustrations, descriptions, references and technical data contained in this manual are for guidance only and may not be considered as binding. Multiquip Inc. reserves the right to discontinue or change specifications, design or the information published in this publication at any time without notice and without incurring any obligations.

