

PARTS MANUAL



MAYCO SERIES **MODELS LS-40/40TD/50TD** **STRUCTURAL CONCRETE PUMPS** **(DEUTZ F4L2011, BF4L2011 DIESEL ENGINES)**

Revision #13 (04/23/25)

To find the latest revision of this publication
or associated operation manual, visit our
website at: www.multiquip.com



THIS MANUAL MUST ACCOMPANY THE EQUIPMENT AT ALL TIMES.

Mayco LS-40D/LS-40TD/ LS-50TD Structural Concrete Pump

Explanation Of Code In Remarks Column.....	4
Suggested Spare Parts	5

Component Drawings

Nameplate And Decals	6-7
Frame Assembly	8-9
Axle Assembly (Right/Left)	10-11
Brake Line Assembly	12-13
Brake Light Assembly	14-15
Trailer Hitch Assembly	16-17
Battery Assembly	18-19
Hopper Assembly	20-21
Hopper Attachment Assembly	22-23
Hopper Interior Assembly	24-25
Shuttle Cylinder Assembly	26-27
Lubrication Pistons Assembly	28-31
Fuel Tank Assembly	32-33
Heat Exchanger Assembly	34-35
Accumulator Assembly	36-37
Remixer Control Assembly	38-39
Lubrication Panel Assembly	40-41
Engine Cover Assembly	42-43
Hydraulic Tank Assembly (Old Style).....	44-45
Hydraulic Tank Assembly (New Style).....	46-47
LS-40D Engine Assembly.....	48-49
LS-40TD/LS-50TD Engine Assembly	50-51
Throttle Assembly	52-53
Water Separator Assembly	54-55
Hydraulic Pump Assembly (Old Style).....	56-57
Hydraulic Pump Assembly (New Style)	58-59
Manifold Assembly.....	60-61
Control Box Assembly	62-63
Control Box Harnesses Assembly	64-65
Remote Control Cable Assembly.....	66-67

NOTICE

Specifications and part numbers are subject to change without notice.

EXPLANATION OF CODE IN REMARKS COLUMN

The following section explains the different symbols and remarks used in the Parts section of this manual. Use the help numbers found on the back page of the manual if there are any questions.

NOTICE

The contents and part numbers listed in the parts section are subject to change **without notice**. Multiquip does not guarantee the availability of the parts listed.

SAMPLE PARTS LIST

NO.	PART NO.	PART NAME	QTY.	REMARKS
1	12345	BOLT.....	1	INCLUDES ITEMS W/%
2%		WASHER, 1/4 IN.....		NOT SOLD SEPARATELY
2%	12347	WASHER, 3/8 IN....	1	MQ-45T ONLY
3	12348	HOSE	A/R	MAKE LOCALLY
4	12349	BEARING	1	S/N 2345B AND ABOVE

NO. Column

Unique Symbols — All items with same unique symbol

(@, #, +, %, or >) in the number column belong to the same assembly or kit, which is indicated by a note in the “Remarks” column.

Duplicate Item Numbers — Duplicate numbers indicate multiple part numbers, which are in effect for the same general item, such as different size saw blade guards in use or a part that has been updated on newer versions of the same machine.

NOTICE

When ordering a part that has more than one item number listed, check the remarks column for help in determining the proper part to order.

PART NO. Column

Numbers Used — Part numbers can be indicated by a number, a blank entry, or TBD.

TBD (To Be Determined) is generally used to show a part that has not been assigned a formal part number at the time of publication.

A blank entry generally indicates that the item is not sold separately or is not sold by Multiquip. Other entries will be clarified in the “Remarks” Column.

QTY. Column

Numbers Used — Item quantity can be indicated by a number, a blank entry, or A/R.

A/R (As Required) is generally used for hoses or other parts that are sold in bulk and cut to length.

A blank entry generally indicates that the item is not sold separately. Other entries will be clarified in the “Remarks” Column.

REMARKS Column

Some of the most common notes found in the “Remarks” Column are listed below. Other additional notes needed to describe the item can also be shown.

Assembly/Kit — All items on the parts list with the same unique symbol will be included when this item is purchased.

Indicated by:
 “INCLUDES ITEMS W/(unique symbol)”

Serial Number Break — Used to list an effective serial number range where a particular part is used.

Indicated by:
 “S/N XXXXX AND BELOW”
 “S/N XXXX AND ABOVE”
 “S/N XXXX TO S/N XXX”

Specific Model Number Use — Indicates that the part is used only with the specific model number or model number variant listed. It can also be used to show a part is NOT used on a specific model or model number variant.

Indicated by:
 “XXXXX ONLY”
 “NOT USED ON XXXX”

“Make/Obtain Locally” — Indicates that the part can be purchased at any hardware shop or made out of available items. Examples include battery cables, shims, and certain washers and nuts.

“Not Sold Separately” — Indicates that an item cannot be purchased as a separate item and is either part of an assembly/kit that can be purchased, or is not available for sale through Multiquip.

SUGGESTED SPARE PARTS

LS-40D/LS-40TD/LS-50TD STRUCTURAL CONCRETE PUMP

1 Units

Qty.	P/N	Description
1.....	EM16462.....	FELT HOLDER
4.....	EM98050.....	PISTON CUP, ORANGE
4.....	EM16493.....	FELT RING
1.....	EM98033.....	OIL PLATE
2.....	EM14408.....	BRONZE RING
2.....	EM16145.....	BUSHING, SWING AXLE (BRONZE)
1.....	EM98021.....	WEAR PLATE
2.....	EM16816-1A.....	ENERGIZER RING
1.....	EM16816-2.....	INSERT RING
2.....	EM98065.....	SLEEVE SEAL
1.....	EM98022.....	WEAR RING
1.....	EM98065.....	RUBBER RING
2.....	EM14407.....	O-RING
1.....	34507.....	CAP, FUEL
2.....	EM20763.....	FILTER, FUEL (IN-LINE)
1.....	P53712.....	CARTRIDGE, WATER SEPARATOR
3.....	01174416.....	FILTER, OIL (ENGINE)
3.....	01174696.....	FILTER, FUEL (ENGINE)
1.....	EM98163.....	SWITCH, PROXIMITY
MODEL LS-40D ONLY		
Qty.	P/N	Description
3.....	4384102.....	CARTRIDGE, AIR FILTER
MODELS LS-40TD, LS-50TD ONLY		
Qty.	P/N	Description
3.....	1319257.....	INSERT, AIR FILTER
3.....	1880870.....	AIR CARTRIDGE, SAFETY
1.....	EM981121.....	ELEMENT, RETURN

LS-40D/LS-40TD/LS-50TD STRUCTURAL CONCRETE PUMP

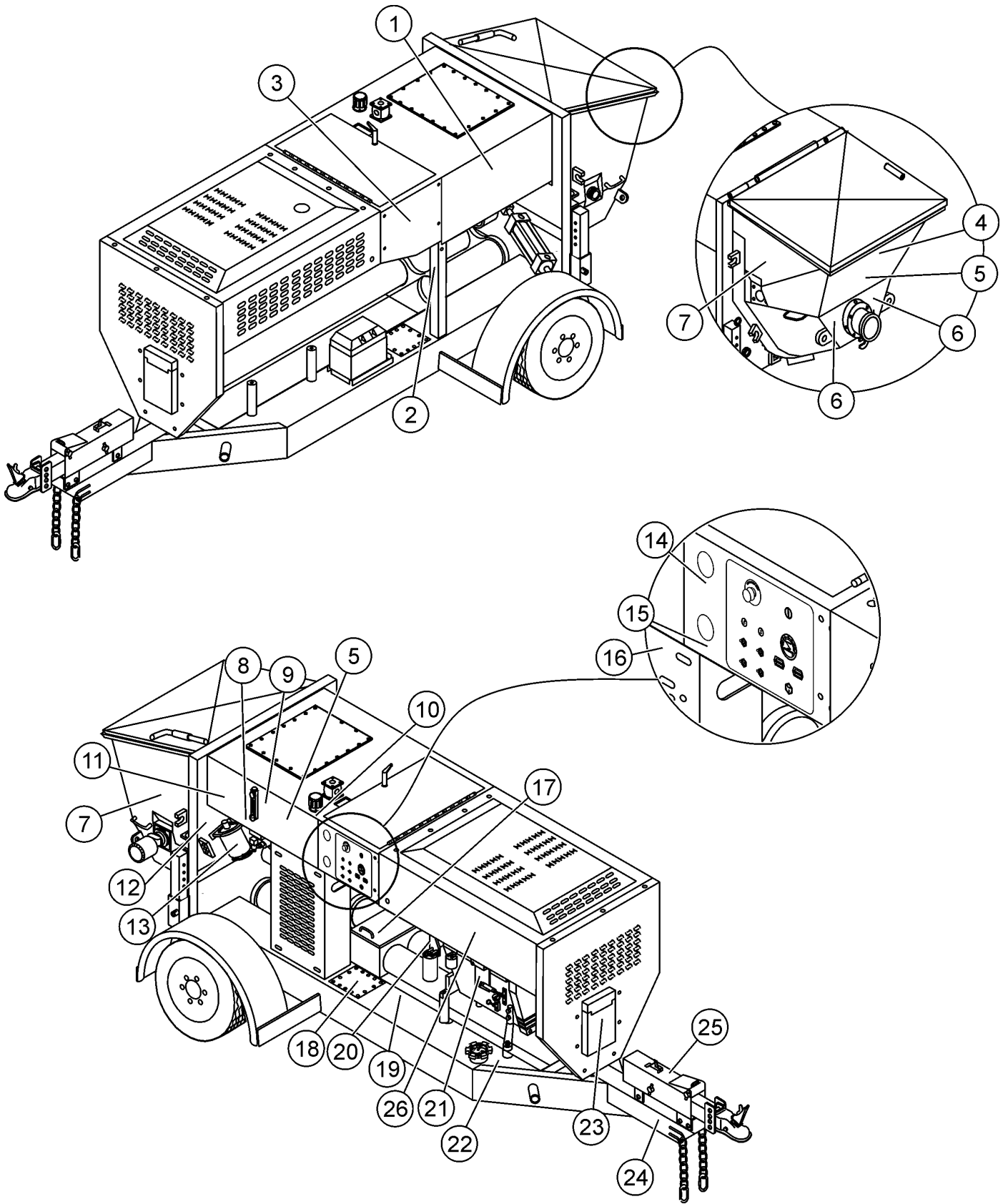
3 Units

Qty.	P/N	Description
1.....	EM16459.....	PIN
2.....	EM25801.....	CONCRETE CYLINDER
4.....	EM16462.....	FELT HOLDER
6.....	EM98050.....	PISTON CUP, ORANGE
8.....	EM16493.....	FELT RING
4.....	EM98033.....	OIL PLATE
4.....	EM14408.....	BRONZE RING
4.....	EM16145A.....	BUSHING, SWING AXLE (BRONZE)
3.....	EM98021A.....	WEAR PLATE
4.....	EM16816-1A.....	ENERGIZER RING
2.....	EM16816-2.....	INSERT RING
4.....	EM98065.....	SLEEVE SEAL
6.....	EM98022.....	WEAR RING
3.....	EM98065.....	RUBBER RING
6.....	EM14407.....	O-RING
2.....	EM16174.....	O-RING
2.....	EM98163.....	SWITCH, PROXIMITY
6.....	510265.....	BOLT, HEX HD. 3/8 NC X 3-1/4 IN. G8
1.....	34507.....	CAP, FUEL
6.....	EM20763.....	FILTER, FUEL
3.....	P53712.....	CARTRIDGE, WATER SEPARATOR
9.....	01174416.....	FILTER, OIL (ENGINE)
9.....	01174696.....	FILTER, FUEL (ENGINE)
MODEL LS-40D ONLY		
Qty.	P/N	Description
9.....	4384102.....	CARTRIDGE, AIR FILTER
MODELS LS-40TD, LS-50TD ONLY		
Qty.	P/N	Description
9.....	1319257.....	INSERT, AIR FILTER
9.....	1180870.....	AIR CARTRIDGE, SAFETY
2.....	EM981121.....	ELEMENT, RETURN

NOTICE

Part numbers on this Suggested Spare Parts list may supersede/replace the part numbers shown in the following parts lists.

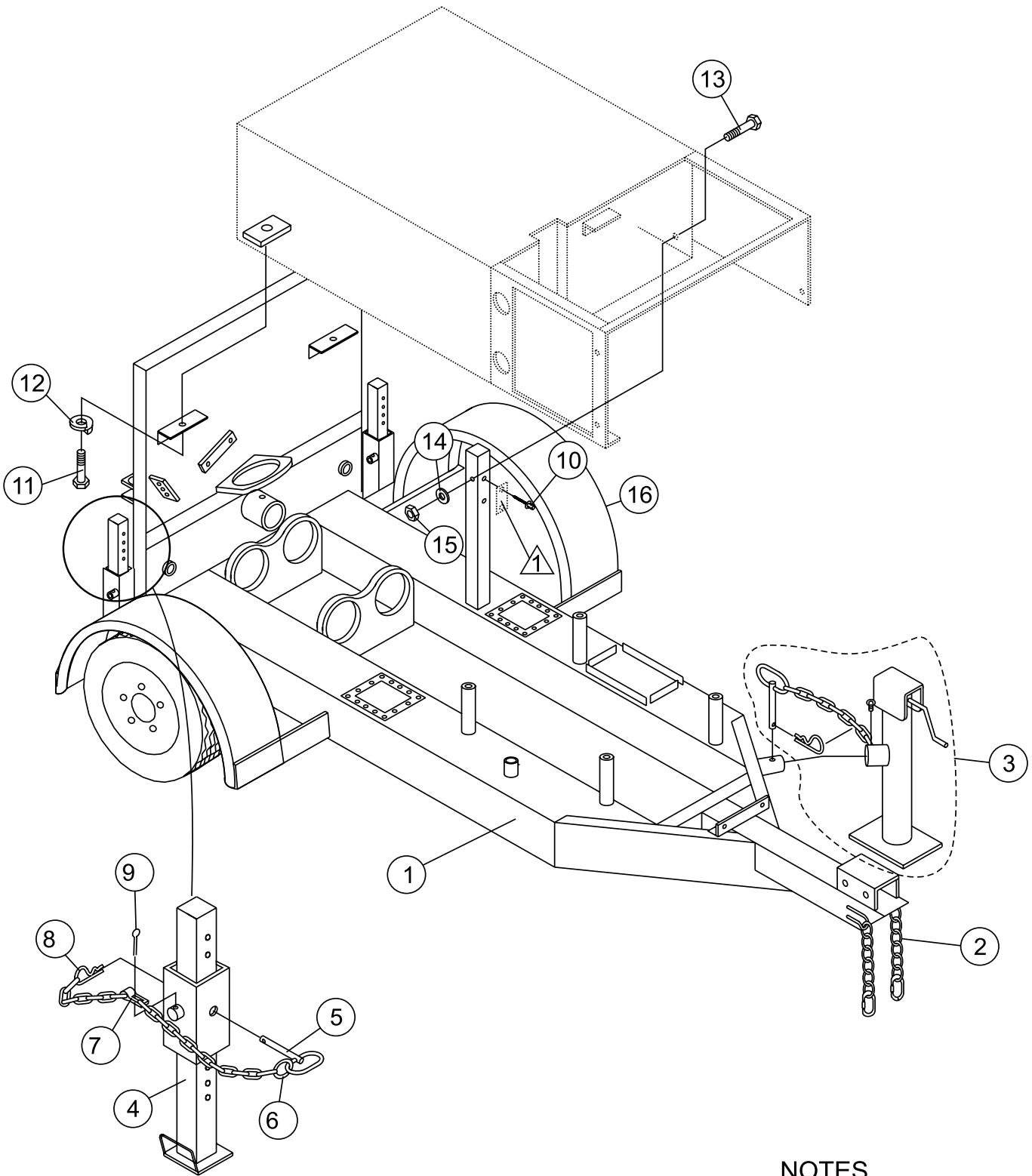
NAMEPLATE AND DECALS



NAMEPLATE AND DECALS

<u>NO.</u>	<u>PART NO.</u>	<u>PART NAME</u>	<u>QTY.</u>	<u>REMARKS</u>
1	514664	DECAL, LS-40 SMALL	1	
1	514665	DECAL, LS-50 SMALL	1	
2		SERIAL PLATE	1	CONTACT PARTS DEPT.
3	DCL302	DECAL, WARNING BURN HAZARD	1	
4	511709	DECAL, 800-30-MAYCO	1	
5	EM97072	DECAL, CAUTION - OP. INSTRUCTIONS	2	
6	EM98000	DECAL, CAUTION - GREASE 2 HOURS	4	
7	DCL301	DECAL, SHUTTLE TUBE DANGER	2	
8	EM970	DECAL, HOPPER REX MIXER	1	
9	EM511091	DECAL, MINIMUM OIL LEVEL	1	
10	EM985	DECAL, HYDRAULIC OIL ONLY	1	
11	DCL304	DECAL, DANGER IMPROPER CHARGING	1	
12	EM97083	DECAL, WARNING - ACCUM. SAFETY	1	
13	EM955	DECAL, DANGER CHARGING ACCUM.	1	
14	EM97070	DECAL, ACCUMULATOR PRESSURE	1	
15	EM97070	DECAL, PUMPING PRESSURE DECAL	1	
16	35137	DECAL, CAUTION READ MANUAL	1	
17	EM97084	DECAL, MAINTENANCE	1	
18	DCL300	DECAL, DANGER LUBRICATION BOX	1	
19	EM965	DECAL, VOLUME CONTROL	1	
20	EM965	DECAL, THROTTLE	1	
21	513580	DECAL, ENGINE RPM SETTING	1	
22	EM995	DECAL, CAUTION DIESEL FUEL	1	
23	34536	DECAL, OWNERS MANUAL	1	
24	DCL305	DECAL, WARNING REAR STABILIZERS	1	
25	EM696	DECAL, CAUTION - TOWING DECAL	1	
26	EM514664	DECAL, LS-40 SMALL	1	
26	514665	DECAL, LS-50 LARGE	1	

FRAME ASSY.



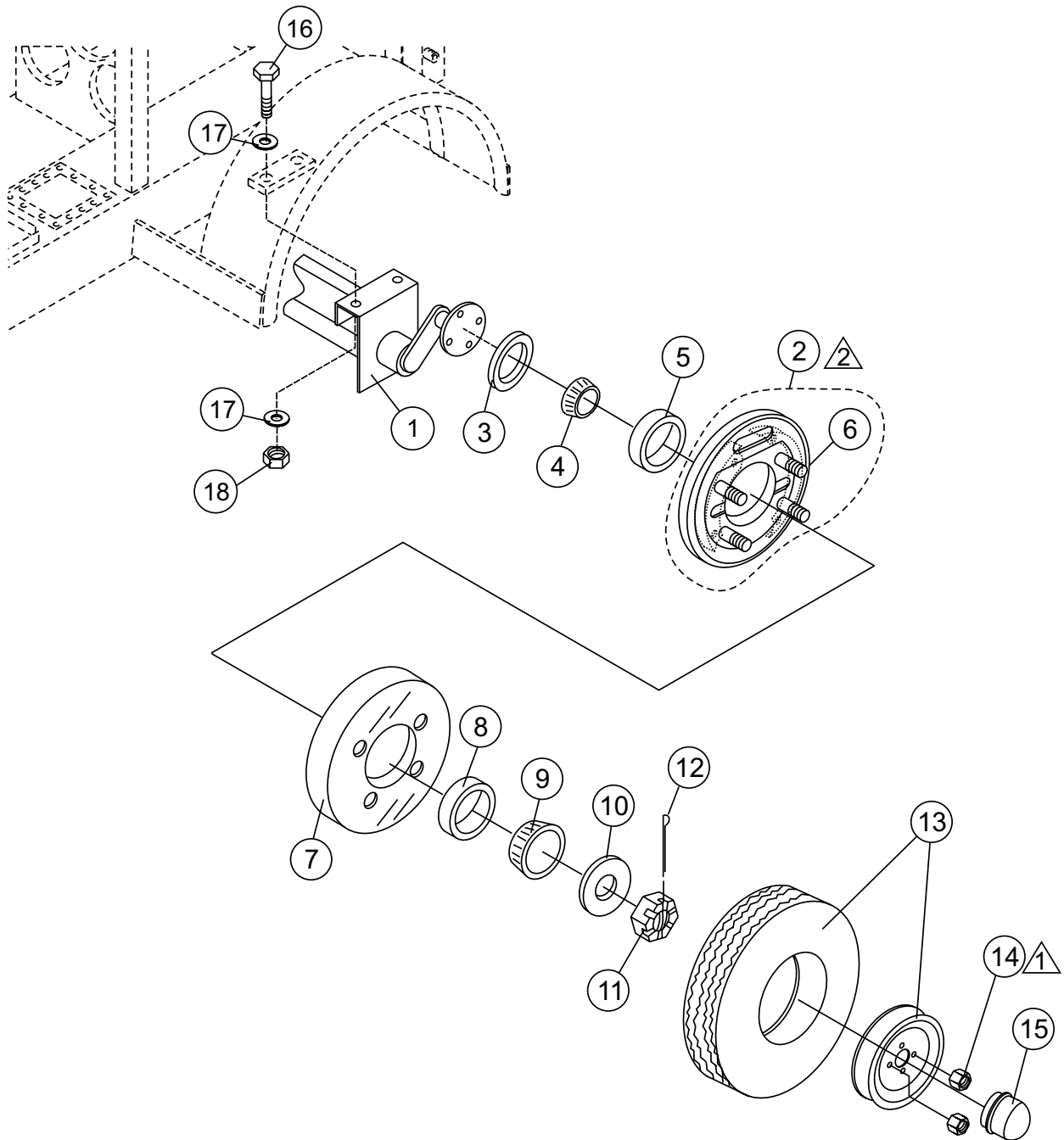
NOTES

 SEE NAMEPLATE AND DECALS
SERIAL PLATE, ITEM 2

FRAME ASSY.

<u>NO.</u>	<u>PART NO.</u>	<u>PART NAME</u>	<u>QTY.</u>	<u>REMARKS</u>
1	514355	FRAME, MAIN	1	
2	EM516581	CHAIN, TRAILER HITCH, 3/8 X 40", GRADE 40	2	
3	EM25610	JACK STAND, FRONT	1	
4	EM70186	SUPPORT STAND	2	
5	EM744	CLEVIS PIN	2	
6	EM491076	PIN RING 3/4"	2	
7	EM490236	CHAIN 15 3.5 GALV.	2	
8	EM491686	PIN	2	
9	EM491686	PIN, COTTER	2	
10	EM491744	RIVET, POP AM-44	2	
11	509562	BOLT, 3/8" NC X 5/8" G5	2	
12	0166 A	WASHER, LOCK 3/8"	2	REPLACES P/N 492624
13	503112	BOLT 3/8" X 2-3/4"	1	
14	3019092	WASHER 3/8"	2	REPLACES P/N 492598
15	EM969013	NUT 3/8"	1	REPLACES P/N 492583
16	EM16600	FENDER, WELDMENT	2	

AXLE ASSY. (RIGHT/LEFT)



NOTES:

1 TORQUE LUG NUTS PER LUG NUT
TORQUE TABLE REFERENCED IN
THIS MANUAL.

2 RIGHT AND LEFT SIDE AXLE
ASSEMBLIES ARE IDENTICAL
WITH THE EXCEPTION OF THE
BRAKE ASSEMBLY.

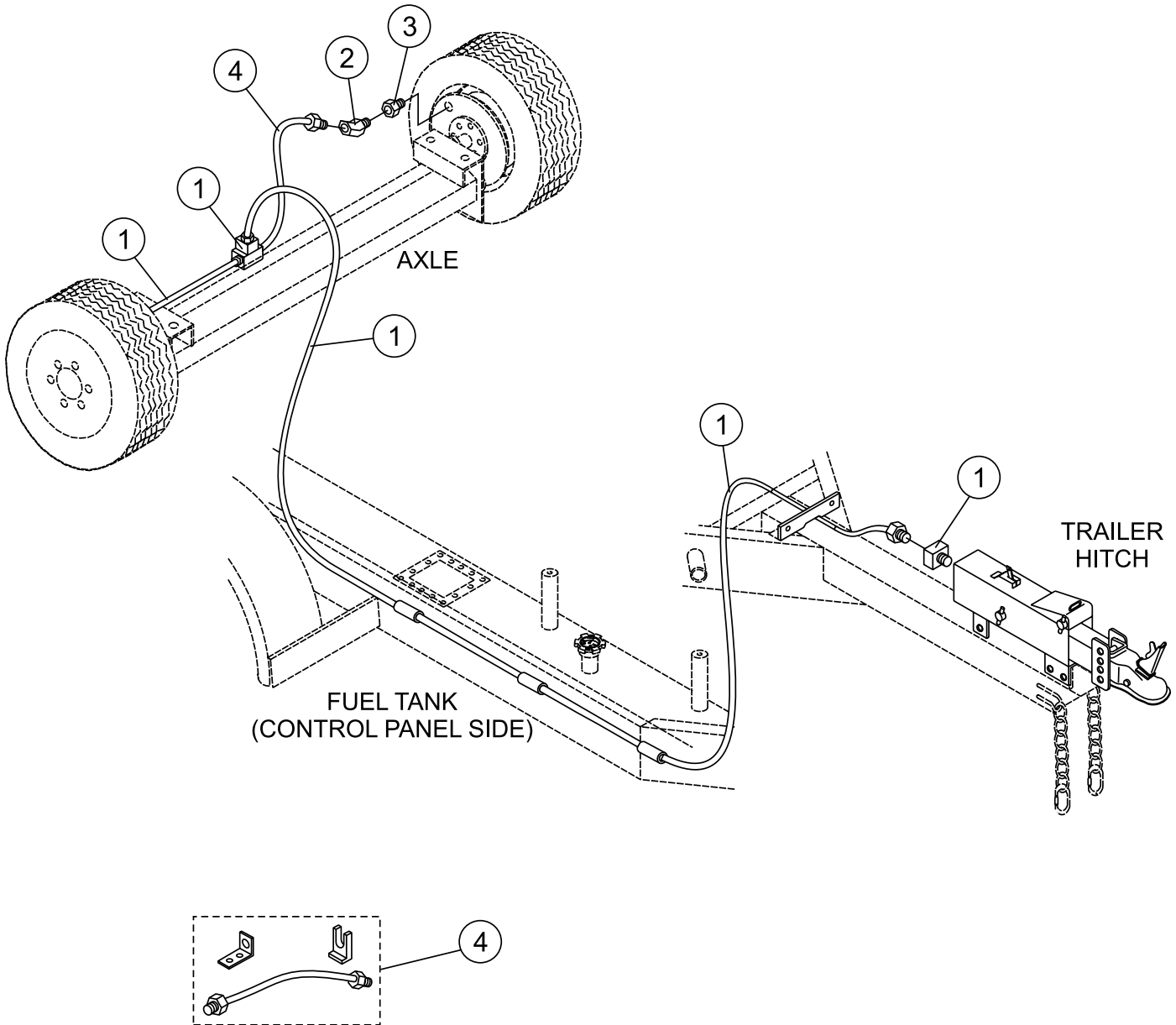
AXLE ASSY. (RIGHT/LEFT)

<u>NO.</u>	<u>PART NO.</u>	<u>PART NAME</u>	<u>QTY.</u>	<u>REMARKS</u>
1	EM98116	AXLE, TORSION BAR ASSEMBLY	2	
2	EM092305	BRAKE ASSEMBLY COMPLETE, RIGHT	1.....	INCLUDES ITEM W/#
2	EM092306	BRAKE ASSEMBLY COMPLETE, LEFT	1.....	INCLUDES ITEM W/% SEE NOTE BELOW
3	363198	OIL SEAL	1	
4	363196	INNER BEARING CONE 2 IN.	1	
5	383911	INNER BEARING CUP 2 IN.	1	
6#%	363909	WHEEL STUD 1/2 IN.-20 UNF PRESS IN	8	
7	363239	HUB AND DRUM ASSEMBLY.	2	
8	363916	OUTER BEARING CONE	1	
9	363420	OUTER BEARING CUP	1	
10	568326	LOAD WASHER 1 IN. T5 HP	1	
11	363257	SLOTTED NUT, 1 IN. UNF	2	
12	363258	COTTER PIN 3/16 IN. X 1-1/2	2	
13	EM514813	RIM AND TIRE	2	
14	363203	WHEEL LUG NUTS 1/2 UNF 60 CON	8	
15	363199	GREASE CAP	2	
16	EM104	BOLT, HEX HEAD 5/8 IN. NC X 2 IN. G5	4.....	REPLACES P/N 503982
17	0401450160	WASHER, FLAT 5/8 IN.	8.....	REPLACES P/N 492602
18	EM969023	NUT, LOCK 5/8 IN.....	4.....	REPLACES P/N 492586

NOTICE

RIGHT AND LEFT SIDE AXLE ASSEMBLIES ARE IDENTICAL WITH THE EXCEPTION OF THE BRAKE ASSEMBLY.

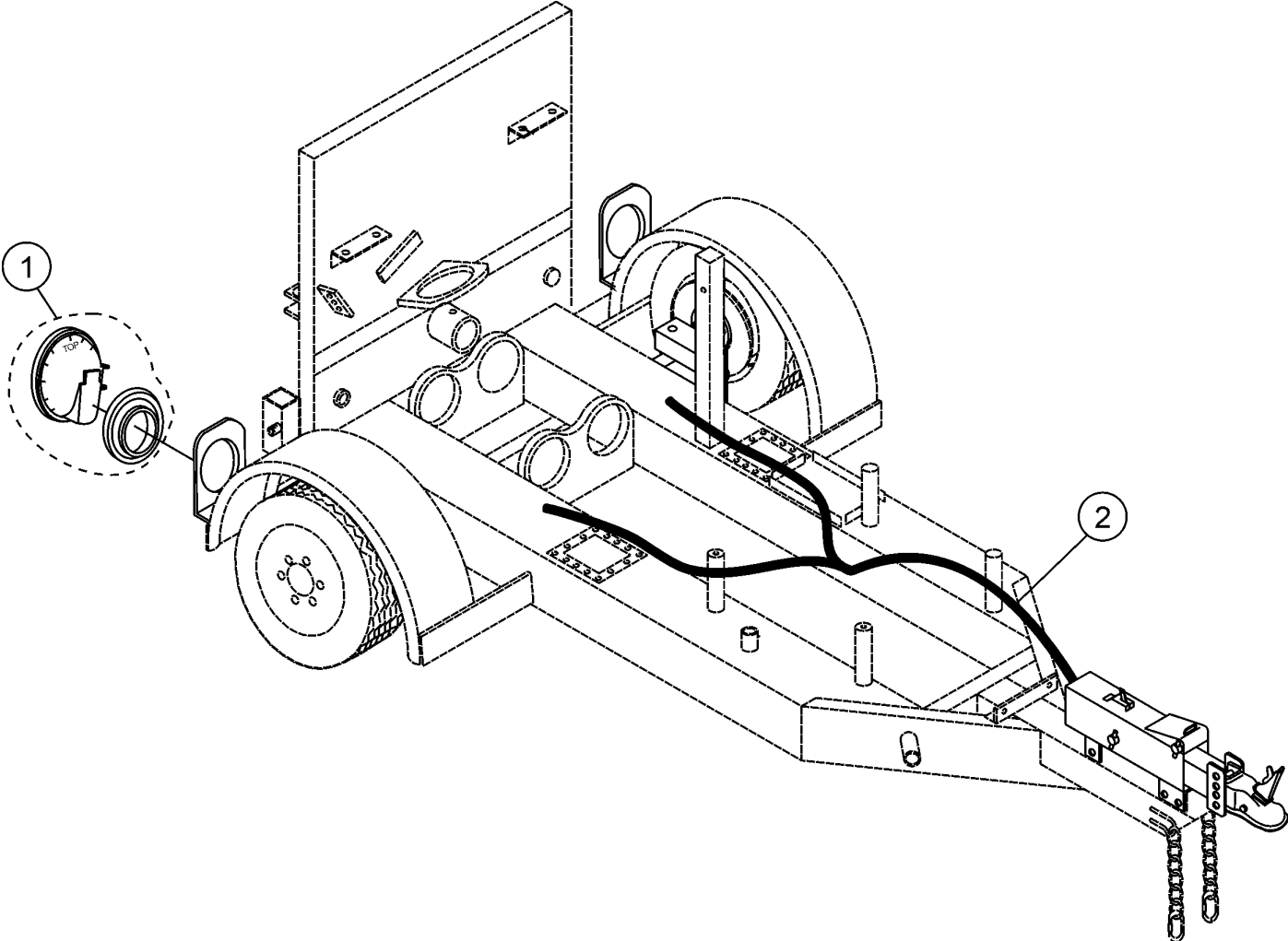
BRAKE LINE ASSY.



BRAKE LINE ASSY.

<u>NO.</u>	<u>PART NO.</u>	<u>PART NAME</u>	<u>QTY.</u>	<u>REMARKS</u>
1	34566	KIT, MAIN BRAKE LINE	1	
2	EM512877	ADAPTER, STRAIGHT	2	
3	EM512876	ADAPTER, ELBOW	2	
4	34565	KIT, WHEEL BRAKE LINE	1	

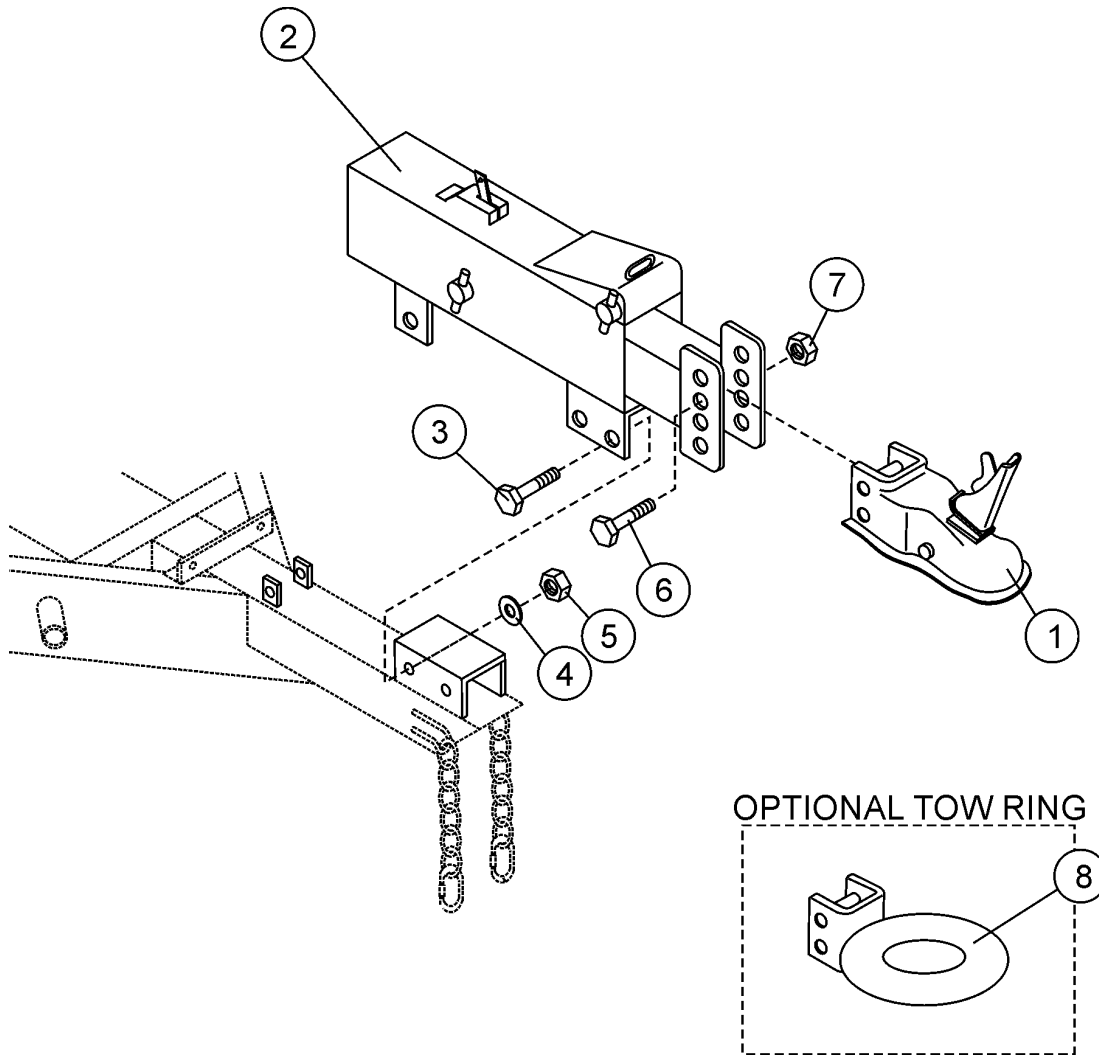
BRAKE LIGHT ASSY.



BRAKE LIGHT ASSY.

<u>NO.</u>	<u>PART NO.</u>	<u>PART NAME</u>	<u>QTY.</u>	<u>REMARKS</u>
1	EM26536	BRAKE LIGHT ASSEMBLY	2	
2	29207	HARNESS ASSEMBLY W/RECEPTACLES	1	

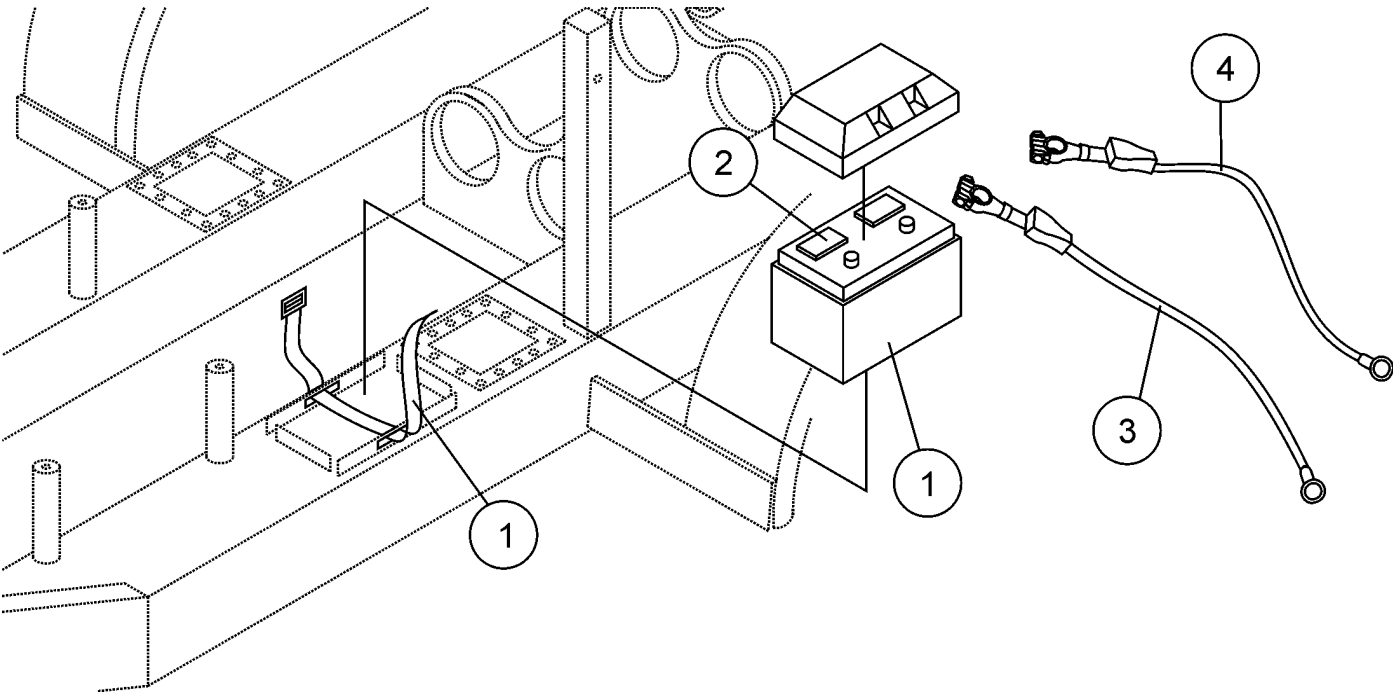
TRAILER HITCH ASSY.



TRAILER HITCH ASSY.

<u>NO.</u>	<u>PART NO.</u>	<u>PART NAME</u>	<u>QTY.</u>	<u>REMARKS</u>
1	EM29228	COUPLING, TRAILER 2 IN.BALL, 6000 LBS	1	
2	EM19067	ACTUATOR, BRAKE	1	
3	EM503111	BOLT, HEX HEAD 1/2 NC X 4-1/2 IN.	3	
4	EM492600	WASHER, FLAT 1/2 IN.	3	
5	EM492584	NUT, LOCK 1/2 IN.	3	
6	EM507658	BOLT, HEX HEAD 5/8 NC X 4-1/2 IN. G5	2	
7	EM492586	NUT, LOCK 5/8 IN.	2	
8	16137	TOW RING, 3 IN. LUNETTE EYE	1	

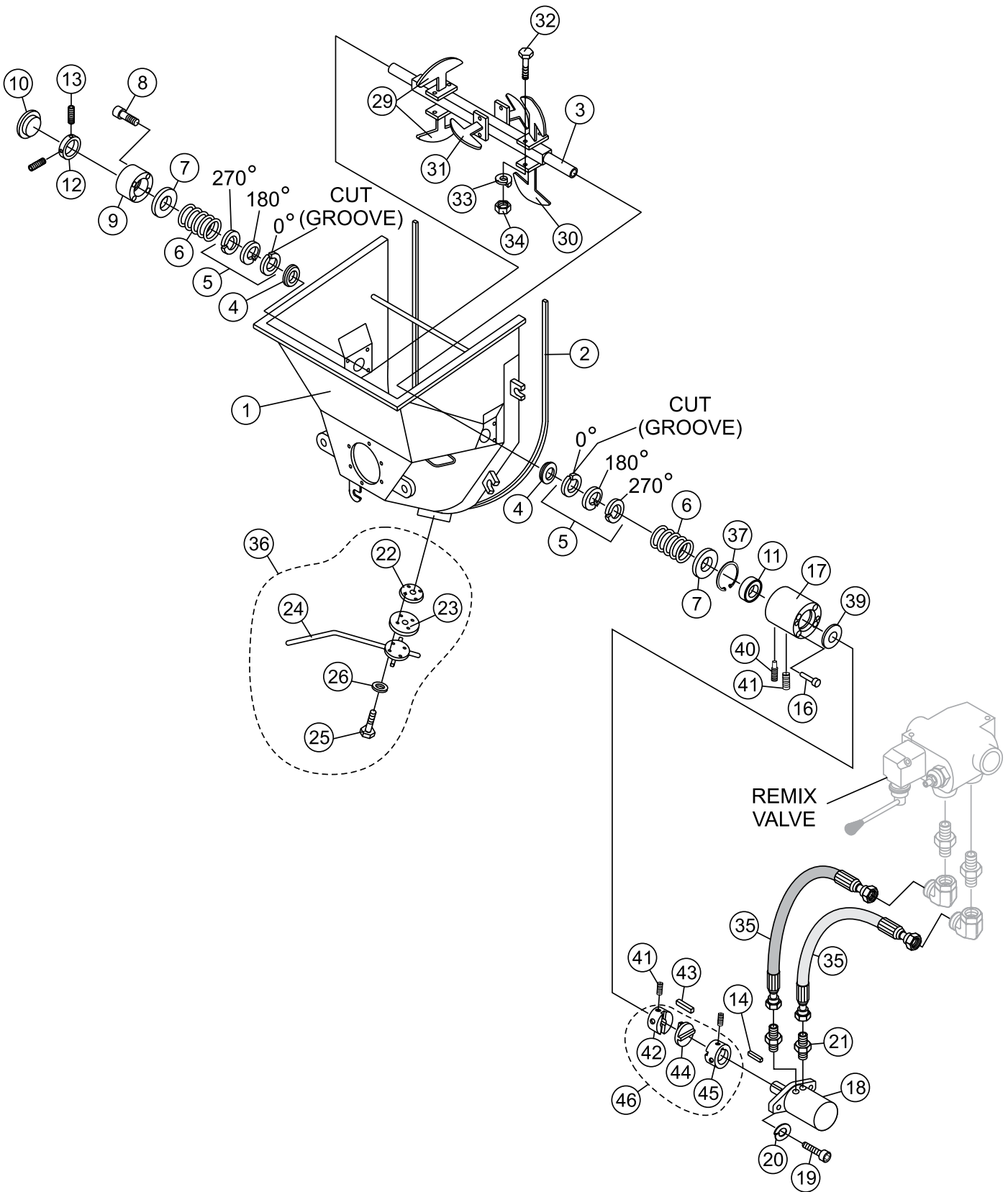
BATTERY ASSY.



BATTERY ASSY.

<u>NO.</u>	<u>PART NO.</u>	<u>PART NAME</u>	<u>QTY.</u>	<u>REMARKS</u>
1	EM34506	BATTERY BOX W/BELT	1	
2	EM16738	BATTERY 12V 125A	1	
3	514856	BATTERY CABLE POSITIVE	1	
4	513577	BATTERY CABLE NEGATIVE	1	

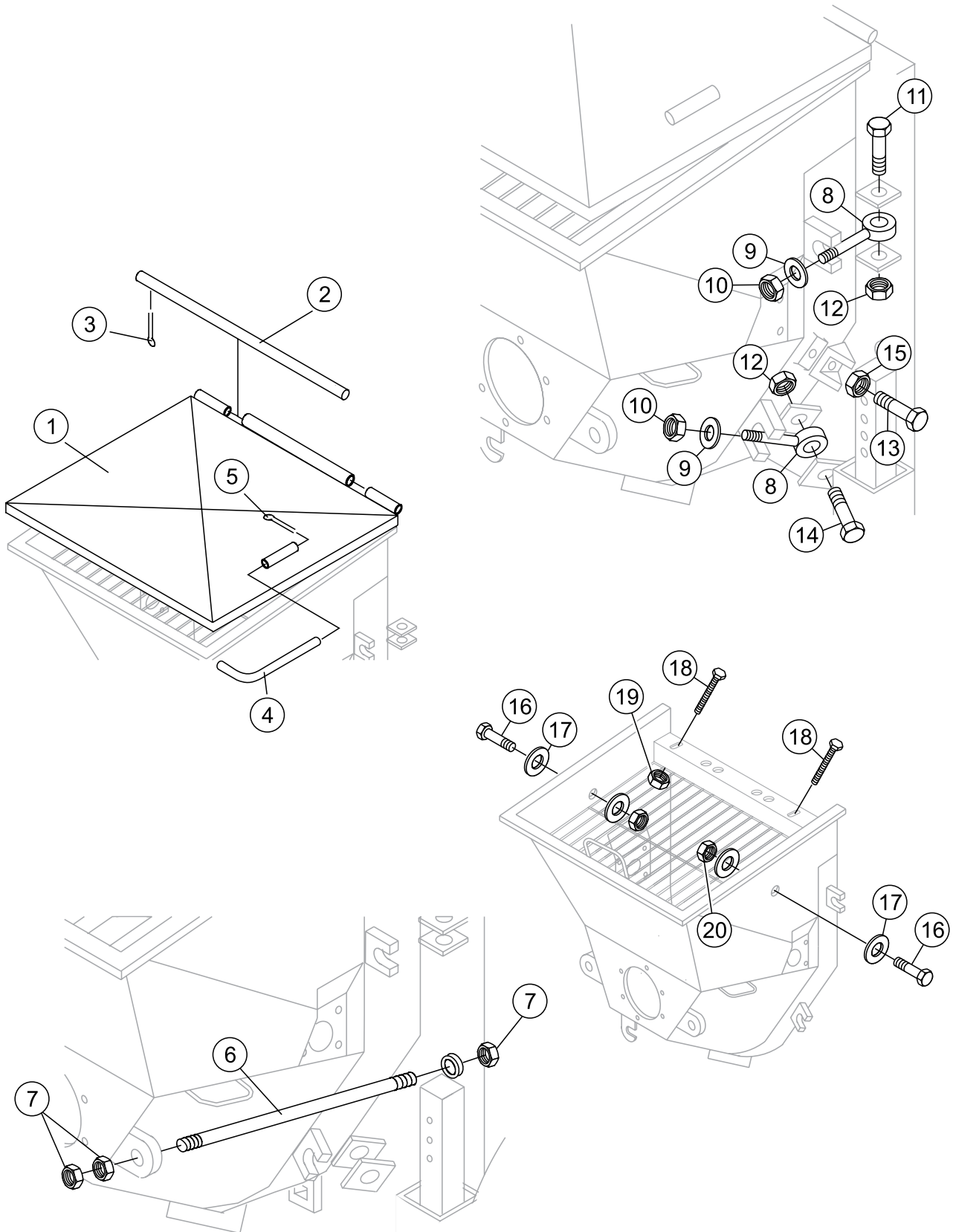
HOPPER ASSY.



HOPPER ASSY.

<u>NO.</u>	<u>PART NO.</u>	<u>PART NAME</u>	<u>QTY.</u>	<u>REMARKS</u>
1	EM514354	HOPPER ASSEMBLY	1	
2	EM16184	HOPPER SEAL	1	
3	EM516779	REMIXER SHAFT	1	
4	EM200303	FOLLOWER RING	2	
5	EM200301	GRAPHITE SEAL	6	
6	EM516820	COMPRESSION SPRING	2	
7	EM514339	HOPPER SPRING SEAT	2	
8	510717	BOLT 1/2 X 1-3/4 IN.	4	
9	EM514338	SUPPORT, LEFT	1	
10	EM514706	END CAP, SHAFT SUPPORT	1	
11	EM902153	BEARING	2	
12	EM200018	SET COLLAR	1	
13	EM703	SET SCREW.....	2	REPLACES P/N 492470
14	500264	KEY 3/8 IN.	1	
16	EM511428	BOLT 1/2 X 3-1/2 IN.	4	
17	EM516780	HOUSING	1	
18	EM98108	MOTOR, REMIX	1	
19	505989	BOLT 1/2 X 1-1/4 IN.	2	
20	6109180	WASHER, LOCK 1/2 IN.....	2	REPLACES P/N 492626
21	EM25508	ADAPTER, FITTING	2	
22\$	EM70860-1	PISTON CUP HOLDER	1	
23\$	EM50417	PISTON CUP	1	
24\$	EM508830	HANDLE	1	
25\$	492378	BOLT 3/8 X 1-3/4 IN.	4	
26\$	0166 A	WASHER, LOCK 3/8 IN.....	4	REPLACES P/N 492624
29	EM514031	PADDLE ARM, END	2	
30	EM514032	PADDLE ARM, MOTOR END	2	
31	EM514033	PADDLE ARM, CENTER	2	
32	513454	BOLT 1/2 X 3-1/4 IN.	6	
33	6109180	WASHER, LOCK 1/2 IN.....	6	REPLACES P/N 492626
34	492589	HEX NUT 1/2 IN.....	6	REPLACES P/N 507661
35	EM25483	HOSE	2	
36	EM70860	HANDLE ASSEMBLY.....	1	INCLUDES ITEMS W/\$
37	EM515460	RETAINING RING	1	
39	516799	SPACER 6MM	1	
40	EM702	DOG POINT SET SCREW 3/8"	1	
41	EM703	SET SCREW 3/8"	3	
42%	516787	REMIX SHAFT COUPLER	1	
43	EM500264	SQUARE KEY 3/8"	1	
44%	516776	DRIVE MEMBER COUPLER	1	
45%	516775	MOTOR SHAFT COUPLER	1	
46	EM516786	COUPLER ASSEMBLY.....	1	INCLUDES ITEMS W/%

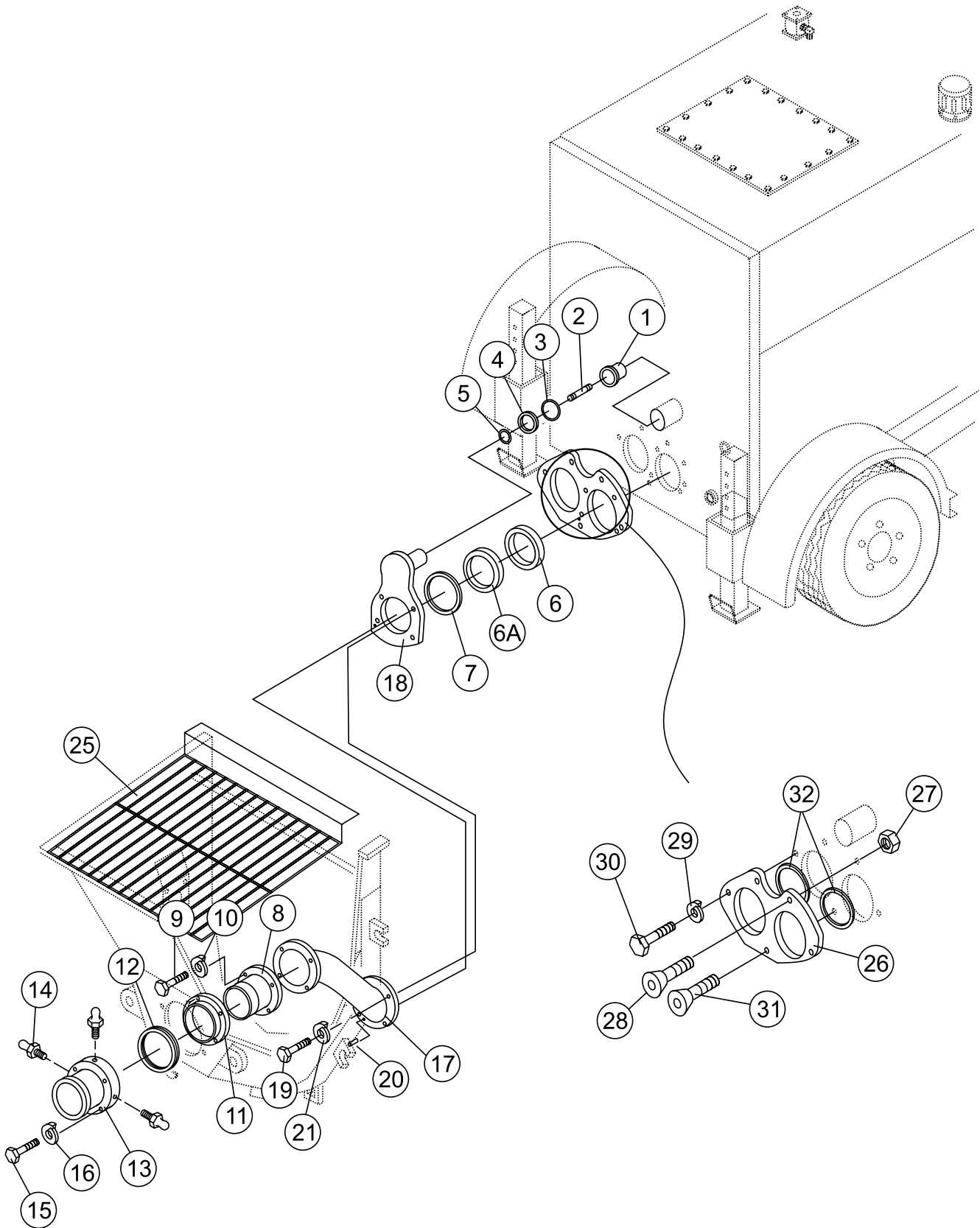
HOPPER ATTACHMENT ASSY.



HOPPER ATTACHMENT ASSY.

<u>NO.</u>	<u>PART NO.</u>	<u>PART NAME</u>	<u>QTY.</u>	<u>REMARKS</u>
1	EM514204	SPLASH PLATE	1	
2	EM514620	HINGE PIN	1	
3	EM491686	COTTER PIN 1/8 X 1-1/2 IN.	1	
4	EM70134-2	PIN, SPLASH PLATE	1	
5	EM505723	COTTER PIN 5/32 X 1-1/2 IN.	1	
6	EM16166	TIE ROD	1	
7	505728	NUT, HEX 1 IN. NC	6	
8	EM14165	EYE BOLT 3/4 IN.	4	
9	EM619	O-RING 3/4 IN.	4	
10	EM968446	NUT, HEX 3/4 IN.	4	
11	505121	BOLT 3/4 IN. X 3 IN.	4	
12	EM968446	HEX NUT 3/4 IN.	4	
13	505123	HEX BOLT 1/2 X 2-1/2 IN.	2	
14	492491	HEX BOLT 1/2 X 1-1/2 IN.	1	
15	6109160	HEX NUT 1/2 IN.....	3.....	REPLACES P/N 492556
16	492379	SCREW CAP 3/8"	2	
17	3019092	WASHER, FLAT 3/8"	4	
18	515395	BOLT 7/16 NC X 4" G5	2	
19	492584	NUT LOCK 1/2"	2	
20	EM969013	NUT NYLOC	2	

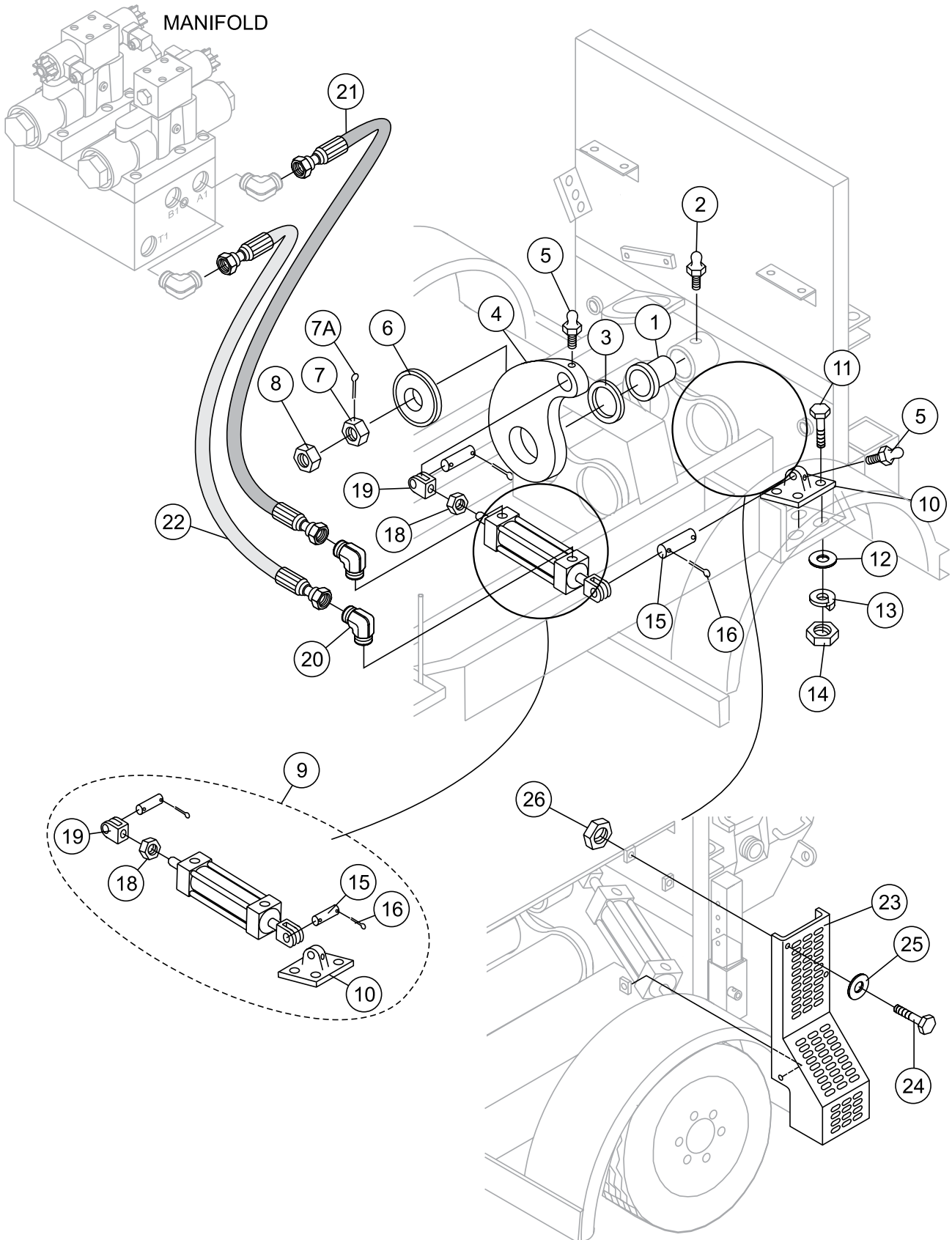
HOPPER INTERIOR ASSY.



HOPPER INTERIOR ASSY.

<u>NO.</u>	<u>PART NO.</u>	<u>PART NAME</u>	<u>QTY.</u>	<u>REMARKS</u>
1	EM16145A	SWING AXLE BUSHING	2	
2	EM284	STUD 1 IN.-14 UNF	1	
3	EM16175	O-RING	1	
4	EM16170	RING SEAL, SHUTTLE AXLE	1	
5	EM16176	O-RING	1	
6	EM98022	WEAR RING HF	1	
6A	EM16816-1A	RING, ENERGIZER RUBBER	1	
7	EM16816-2	RING, INSERT STEEL	1	
8	EM16804	SLEEVE 5 IN.	1	
9	EM104	BOLT 5/8 X 2 IN.....	4	REPLACES P/N 503982
10	EM923348	WASHER, LOCK 5/8 IN.	4	
11	EM25803	DISCHARGE PLATE BEARING	1	
12	EM98065	SEAL, RUBBER	1	
13	EM512212	DISCHARGE NIPPLE	1	
14	491701	GREASE FITTING	3	
15	EM210	BOLT 5/8 X 2 IN.	6	
17	EM16811	SHUTTLE CYLINDER	1	
18	EM25843	NUN PLATE	1	
19	EM104	BOLT, HEX HEAD 5/8 X 2 IN.....	4	REPLACES P/N 503982
20	491719	PIN	1	
21	EM923348	WASHER, LOCK 5/8 IN.	4	
25	EM514357	HOPPER SCREEN	1	
26	EM98021	PLATE, WEAR HF	1	
27	EM969023	NUT, HEX 5/8 IN. NC INS.....	2	REPLACES P/N 492586
28	EM265	BOLT, COUNTER SUNK 5/8-11 X 3 IN.	2	
29	EM923350	WASHER, LOCK 3/4 IN.....	2	REPLACES P/N EM492628
30	EM151	BOLT, HEX HEAD 3/4-10 X 2 IN.	2	
31	EM264	BOLT, COUNTER SUNK 1/2-13 X 3 IN.	2	
32	EM517700	O-RING	2	

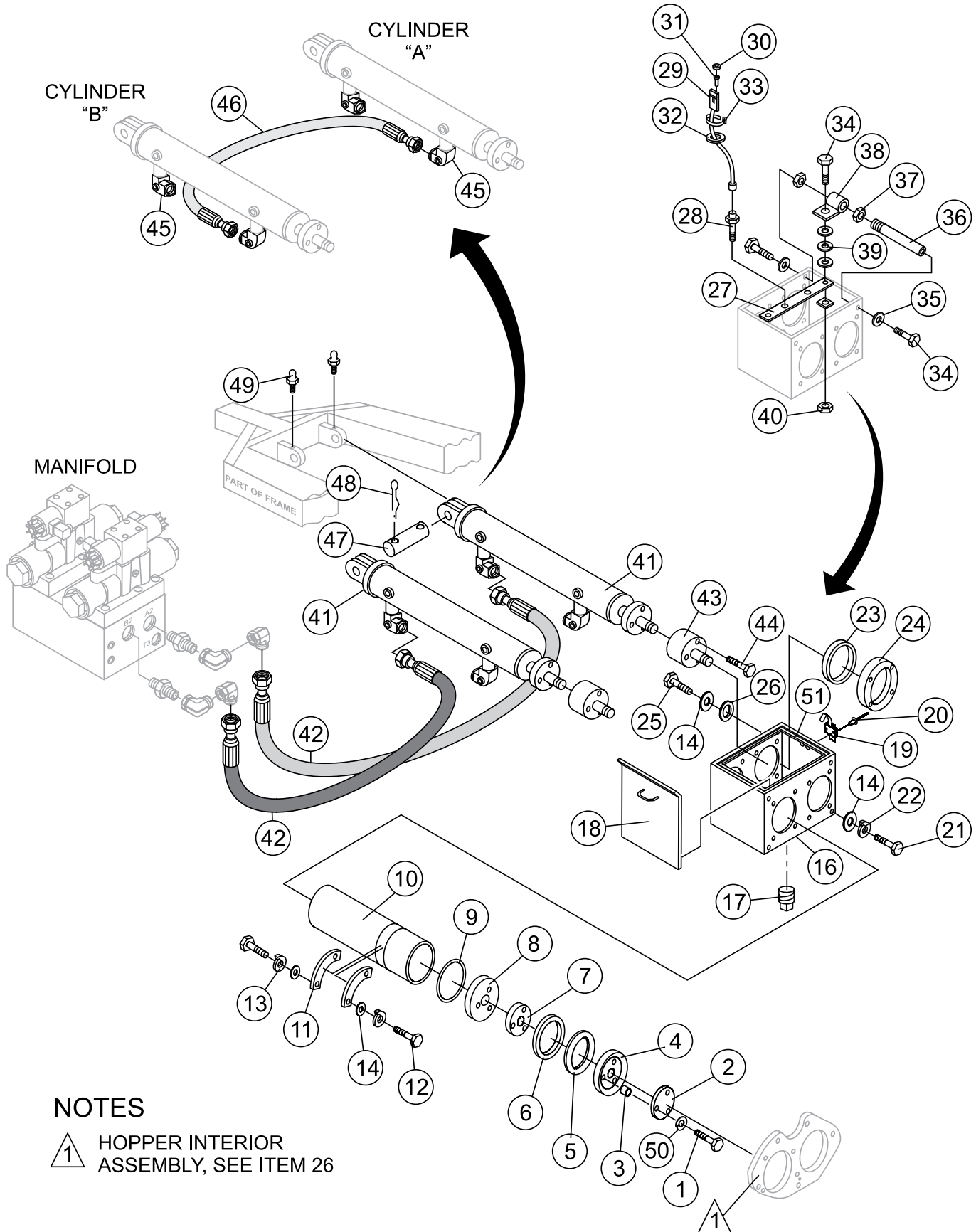
SHUTTLE CYLINDER ASSY.



SHUTTLE CYLINDER ASSY.

<u>NO.</u>	<u>PART NO.</u>	<u>PART NAME</u>	<u>QTY.</u>	<u>REMARKS</u>
1	EM16145	SWING AXLE BUSHING	2	
2	EM510684	GREASE FITTING	1	
3	EM16169	THRUST WASHER	1	
4	EM25236	SHUTTLE CRANK, SPLINED SHAFT	1	
5	EM505490	GREASE FITTING	2	
6	EM16814	TENSIONER	1	
7	EM424	HEX NUT 1 IN. 14NF	1	
7A	EM924006	COTTER PIN 5/32 X 2 IN.	1	
8	EM417	NUT 1 IN. 14NF	1	
9	EM98106CU	SHUTTLE CYLINDER ASSEMBLY.....	1.....	INCLUDES ITEMS W/\$
10\$	EM254549	BRACKET, PIVOT	1	
11	492397	BOLT 1/2 X 2-1/2 IN.	4	
12	EM621	WASHER 1/2 IN.	4	
13	6109180	WASHER, LOCK 1/2 IN.....	4.....	REPLACES P/N 492626
14	492584	NUT 1/2 IN.	4	
15\$	0820270000	CLEVIS PIN 3/4 IN.	2	
16\$	0820270000	COTTER PIN	2	
18\$	515249	JAM NUT	1	
19\$	0509440000	FEMALE CLEVIS	2	
20	3322	FITTING, ELBOW	2	
21	EM514590	HOSE	1	
22	EM514591	HOSE	1	
23	EM515628	COVER, SHUTTLE CYLINDER	1	
24	0202	BOLT.....	3.....	REPLACES P/N 492364
25	EM923023	WASHER, FLAT.....	3.....	REPLACES P/N 492597
26	2105164	NUT, HEX.....	3.....	REPLACES P/N 492582

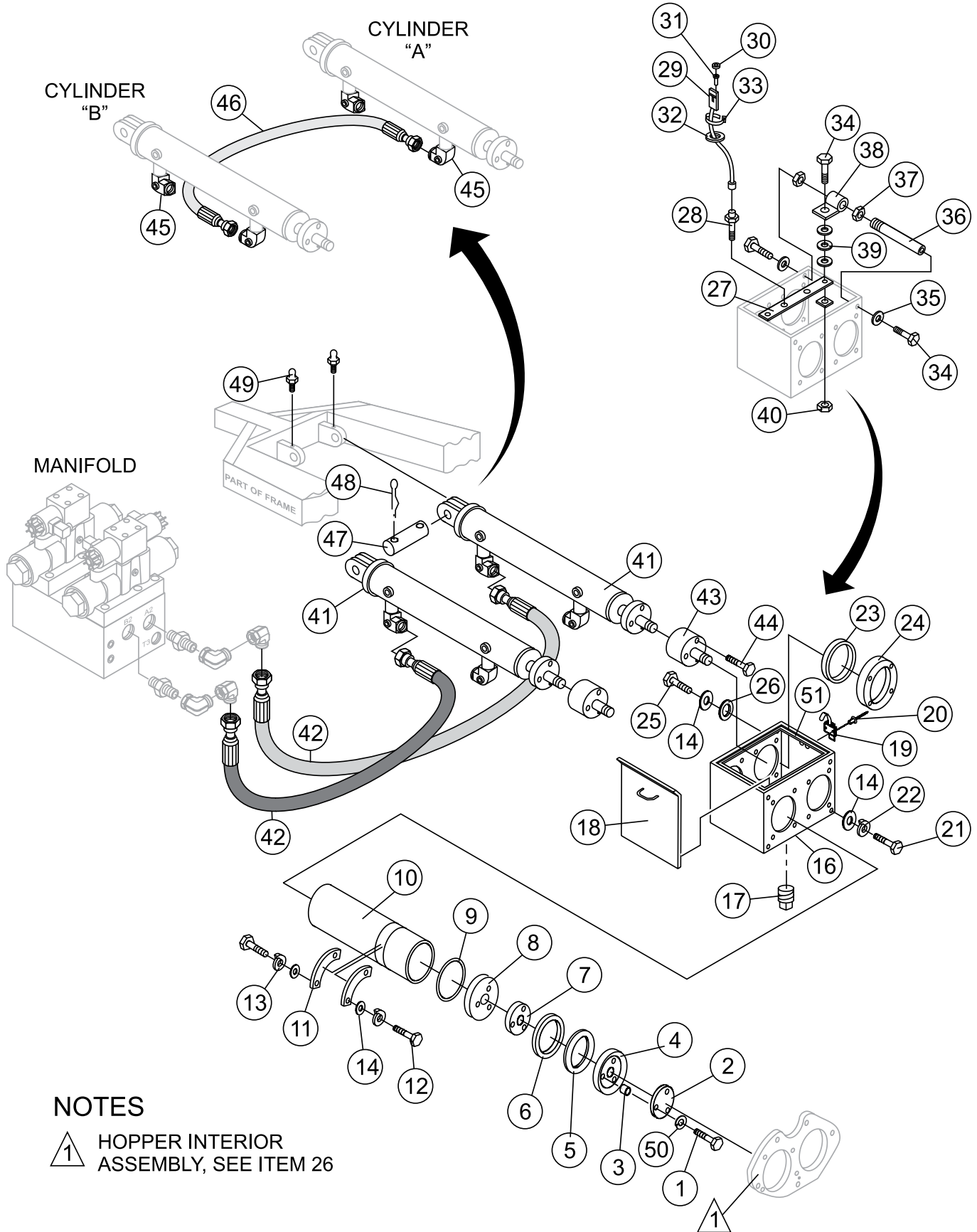
LUBRICATION PISTONS ASSY.



LUBRICATION PISTONS ASSY.

<u>NO.</u>	<u>PART NO.</u>	<u>PART NAME</u>	<u>QTY.</u>	<u>REMARKS</u>
1	EM510265	BOLT, HEX HEAD 3/8 NC X 3-1/2 IN., BLACK OXIDE G8	6	
2	EM16464	FACE PLATE	2	
3	EM16465	PISTON CUP SPACER	6	
4	EM98050	CUP, PISTON- ORANGE	2	
5	EM14408	RING, BRONZE	2	
6	EM16493	RING, FELT	2	
7	EM16462	FELT HOLDER	2	
8	EM16461	OILER PLATE	2	
9	EM14407	O-RING, OILER PLATE	2	
10	EM25801	CYLINDER, CONCRETE	2	
11	EM25110	RETAINER, CYLINDER	4	
12	EM963610	BOLT, 3/8 NC X 1.3/4 IN. G5	8	REPLACES P/N 492375
13	0166 A	WASHER LOCK 3/8 IN.	8	REPLACES P/N 492624
14	3019092	WASHER, FLAT 3/8 IN.	22	REPLACES P/N 492598
16	EM514197	LUBRICATION BOX	1	
17	EM507895	PLUG	1	
18	EM515796	COVER, LUBRICATION BOX	1	
19	EM514610	LATCH, COVER	1	
20	491754	RIVET, AM-66	2	
21	492378	BOLT, 3/8 NC X 1.3/4 IN. G5	6	
22	0166 A	WASHER, LOCK 3/8"	6	REPLACES P/N 492624
23	EM274351	SEAL LUBE BOX	2	
24	EM50425	FLANGE, RING	2	
25	492451	BOLT 3/8 - 24 X 1 IN. HEX HEAD	8	
26	EM50443	SEAL, OIL BOX	8	
27	514208	BAR, PROXIMITY SWITCH SUPPORT	1	
28	EM98163	SWITCH, PROXIMITY W/CABLE	2	
29	EM98135	CABLE HOUSING, FEMALE	2	
30	EM98134	SEAL, CONNECTOR HOUSING	6	
31	EM98138	TERMINAL PIN, FEMALE	6	
32	514611	GROMMET	2	
33	504505	WRAP TIE	8	

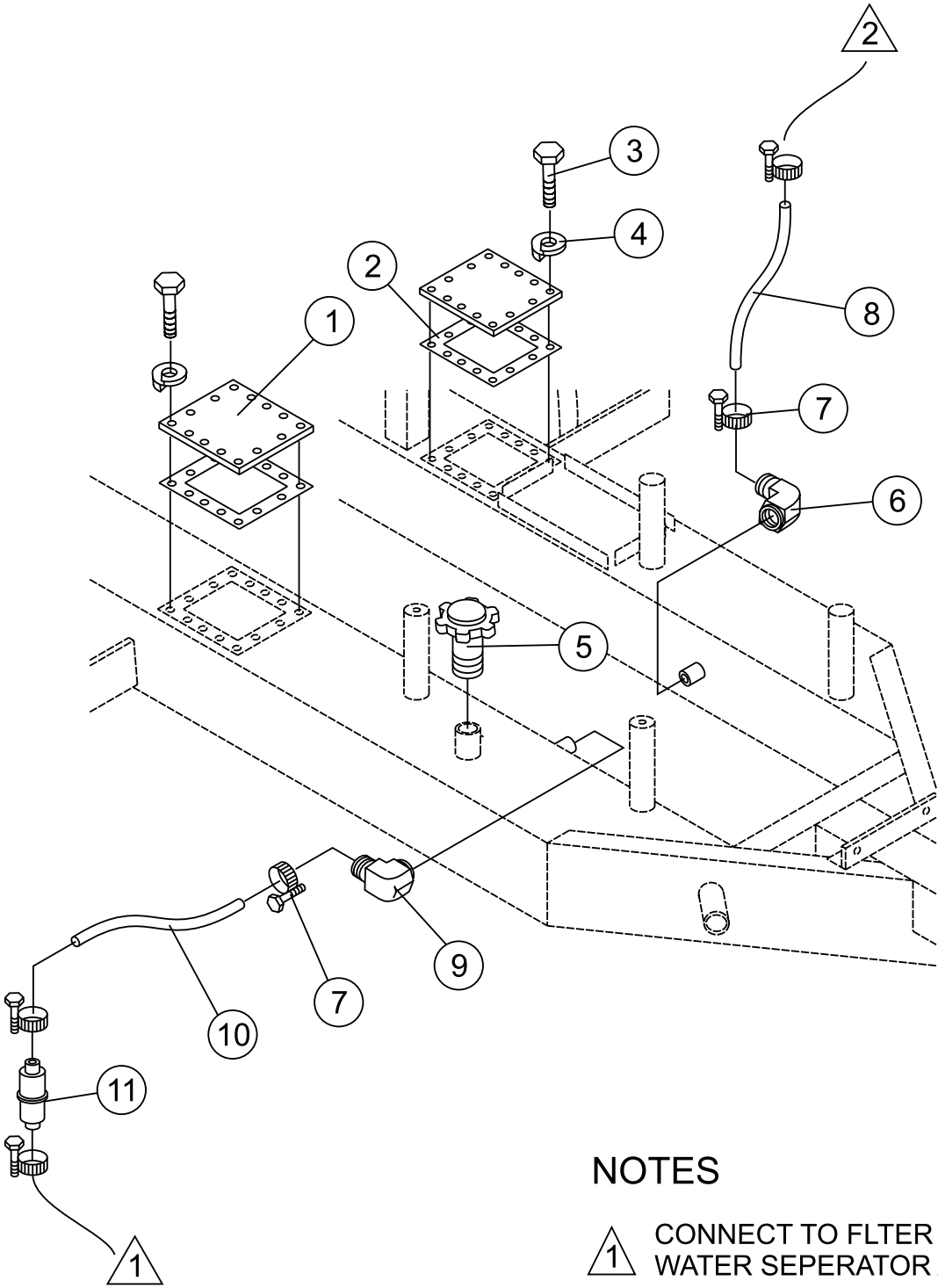
LUBRICATION PISTONS ASSY. (CONT'D.)



LUBRICATION PISTONS ASSY. (CONT'D.)

<u>NO.</u>	<u>PART NO.</u>	<u>PART NAME</u>	<u>QTY.</u>	<u>REMARKS</u>
34	492366	BOLT, HEX HEAD 5/16 NC X 1 IN. G5	6	
35	EM492623	WASHER, LOCK 5/16 IN.	4	
36	EM514216	ADJUSTMENT ROD, PROXIMITY SWITCH	2	
37	EM492556	NUT, HEX 1/2 IN.	4	
38	EM514207	BRACKET, ADJUSTMENT ROD	2	
39	EM492597	WASHER, FLAT 5/16 IN.	6	
40	EM492582	NUT, HEX HEAD 5/16 IN	2	
41	EM98211	CYLINDER, MAIN	2	
42	EM514920	HOSE, MAIN HYD. CYLINDER	2	
43	EM514202	EXTENSION, SPACER	2	
44	EM185	BOLT, SOCKET HEAD 3/8 NC X 3 IN., BLACK OXIDE G8	6	
45	EM25497	FITTING, 90°	4	
46	EM25474	HOSE, HYDRAULIC SLAVE	1	
47	EM16459	PIN, WRIST	2	
48	EM505723	PIN, COTTER	4	
49	EM491701	FITTING, GREASE	2	
50	EM517126	WASHER, LOCK	6	
51	EM513352	SEAL, SQUARE	1	

FUEL TANK ASSY.



NOTES

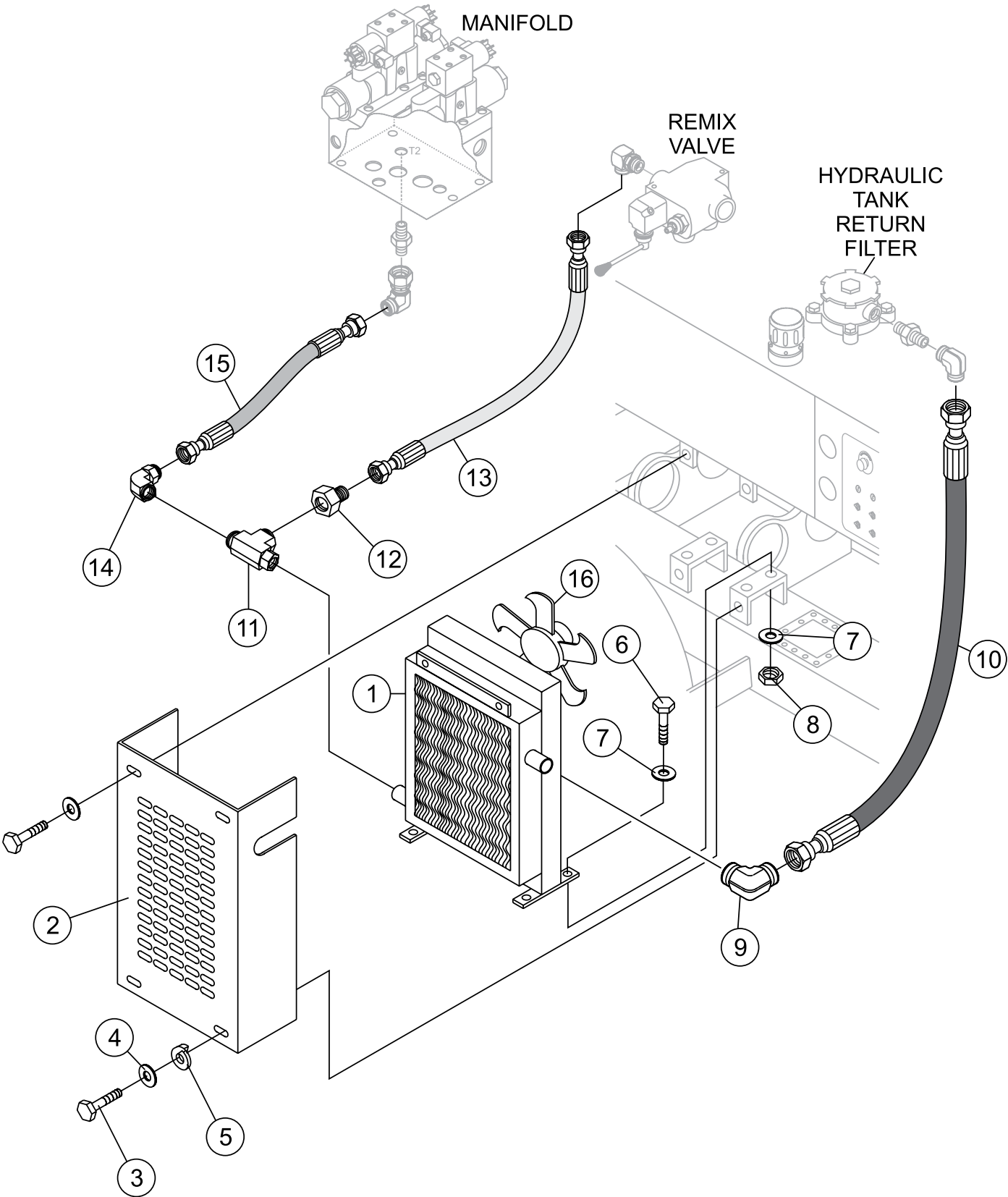
1 CONNECT TO FILTER INLET HOSE WATER SEPERATOR ASSY., NOTE 1

2 CONNECT TO FILTER OUTLET HOSE WATER SEPERATOR ASSY., NOTE 2

FUEL TANK ASSY.

<u>NO.</u>	<u>PART NO.</u>	<u>PART NAME</u>	<u>QTY.</u>	<u>REMARKS</u>
1	EM514084	COVER, DIESEL TANK	4	
2	514080	GASKET	4	
3	492362	BOLT 5/16 X 5/8 IN.	28	
4	EM923343	WASHER, LOCK 5/16 IN.	28	REPLACES P/N 492623
5	34507	CAP, FUEL W/GAUGE	1	
6	EM514559	ADAPTER	1	
7	506208	CLAMP	5	
8	EM514536	HOSE, FUEL RETURN 5/16 IN.	A/R	
9	EM20426	ADAPTER	1	
10	EM514536	HOSE, FUEL FILTER 5/16 IN.	A/R	
11	EM20763	FILTER, FUEL	2	

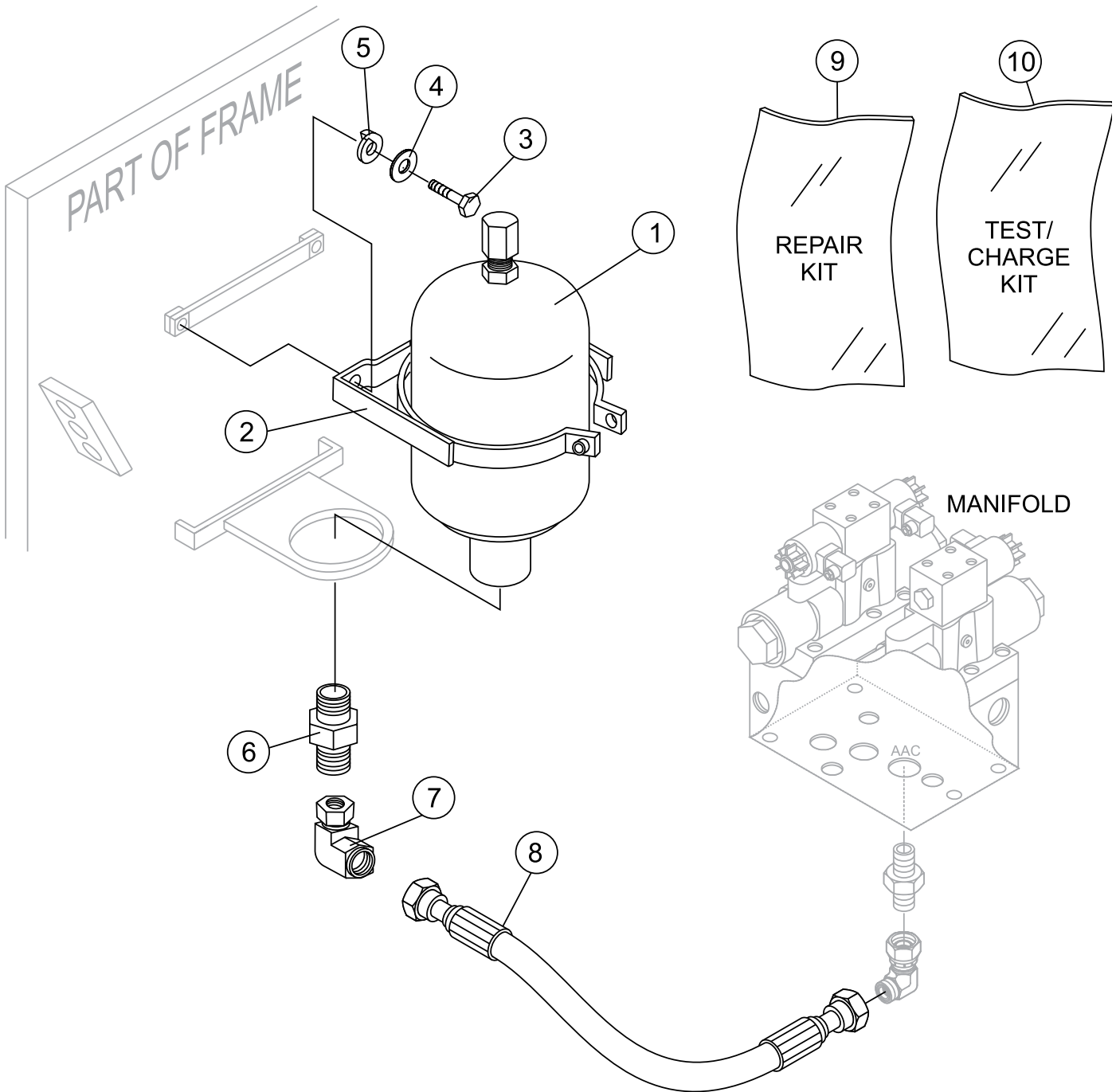
HEAT EXCHANGER ASSY.



HEAT EXCHANGER ASSY.

<u>NO.</u>	<u>PART NO.</u>	<u>PART NAME</u>	<u>QTY.</u>	<u>REMARKS</u>
1	EM98118	HEAT EXCHANGER	1	
2	EM514175	COVER, HEAT EXCHANGER	1	
3	EM963610	BOLT 3/8 IN. X 1 IN.....	4	REPLACES P/N 492375
4	3019092	O-RING 3/8 IN.....	4	REPLACES P/N 492598
5	0166 A	WASHER, LOCK 3/8 IN.	4	REPLACES P/N 492624
6	0202	BOLT 5/16 X 1 IN.	4	REPLACES P/N 492364
7	EM923023	WASHER, FLAT 5/16 IN.....	8	REPLACES P/N 492597
8	2105164	NUT 5/16 IN.....	4	REPLACES P/N 492582
9	EM25497	ADAPTER	1	
10	EM514607	HOSE 4000 PSI	1	
11	EM25566	ADAPTER	1	
12	EM509345	ADAPTER	1	
13	EM514606	HOSE 2000 PSI	1	
14	EM509401	ADAPTER	1	
15	EM514604	HOSE, 2000 PSI	1	
16	EM98264	MOTOR AND FAN ASSEMBLY	1	

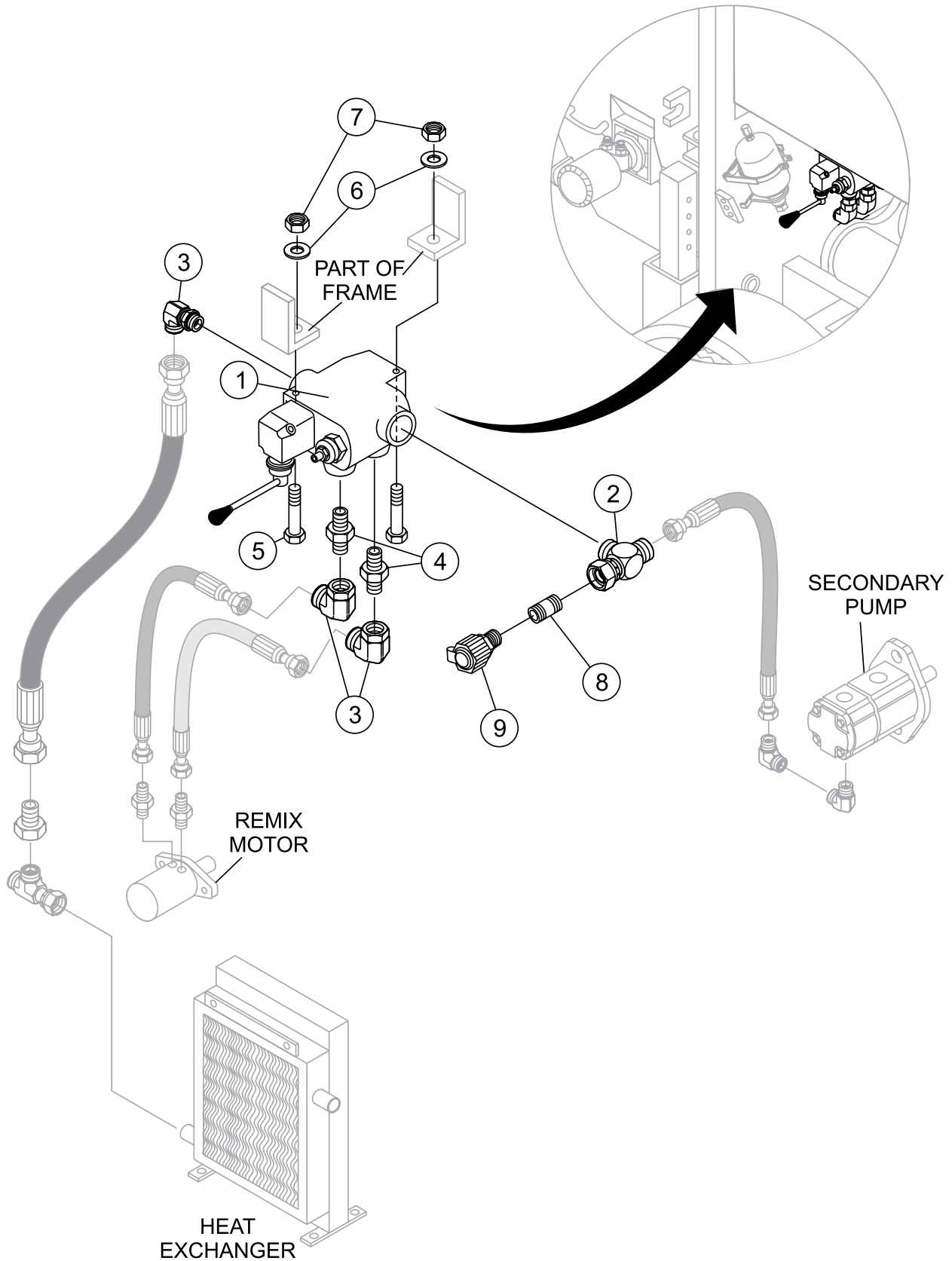
ACCUMULATOR ASSY.



ACCUMULATOR ASSY.

<u>NO.</u>	<u>PART NO.</u>	<u>PART NAME</u>	<u>QTY.</u>	<u>REMARKS</u>
1	EM97015	ACCUMULATOR 1 GAL.	1	
2	EM97016	BRACKET, ACCUMULATOR	1	
3	EM9603055	BOLT, HHCS 3/8 IN. DIA.	2	
4	3019092	WASHER, FLAT 3/8 IN.	2	
5	0166A	WASHER, LOCK 3/8 IN. DIA.	2	
6	EM509425	FITTING, STRAIGHT	1	
7	EM509353	FITTING, 90° ELBOW	1	
8	EM514603	HOSE, ACCUMULATOR	1	
9	EM98009	ACCUMULATOR REPAIR KIT	1	
10	EM98052	ACCUMULATOR TEST/CHARGE KIT	1	

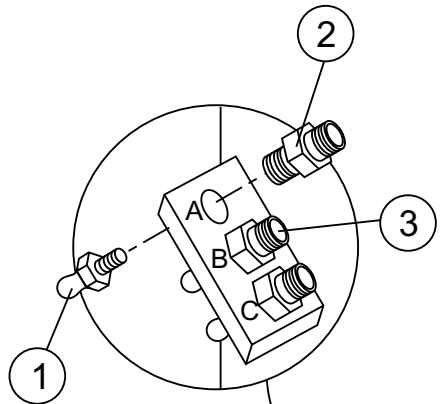
REMIXER CONTROL ASSY.



REMIXER CONTROL ASSY.

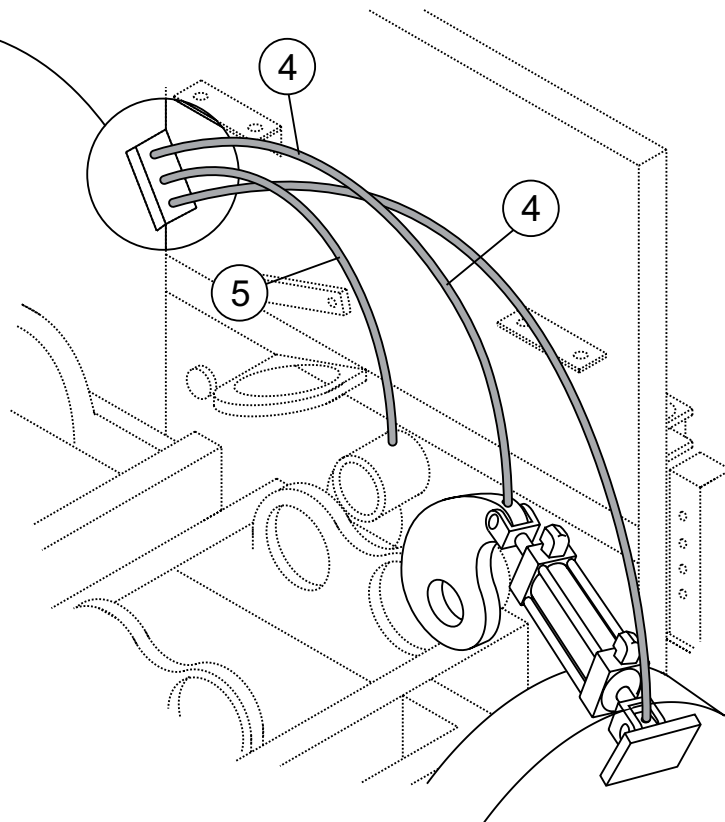
<u>NO.</u>	<u>PART NO.</u>	<u>PART NAME</u>	<u>QTY.</u>	<u>REMARKS</u>
1	EM25495	VALVE REMIXER W/LEVER	1	
2	515384	ADAPTER FITTING, T	1	
3	506195	ADAPTER FITTING, 90° ELBOW	1	
4	EM25509	ADAPTER FITTING, STRAIGHT	2	
5	EM218	BOLT 5/16 X 2-1/2 IN.	2	
6	EM923343	WASHER, LOCK 5/16 IN.	2	REPLACES P/N 492623
7	2105164	NUT, HEX 5/16 IN.	2	REPLACES P/N 492553
8	EM98015	COUPLING	1	
9	EM98014	TEST PORT	1	

LUBRICATION PANEL ASSY.



NOTICE

Grease daily, two or three shots of #2 multipurpose automotive grease. Over greasing any bearing will not damage the machine. **ALWAYS** grease *before and after* pump operation.

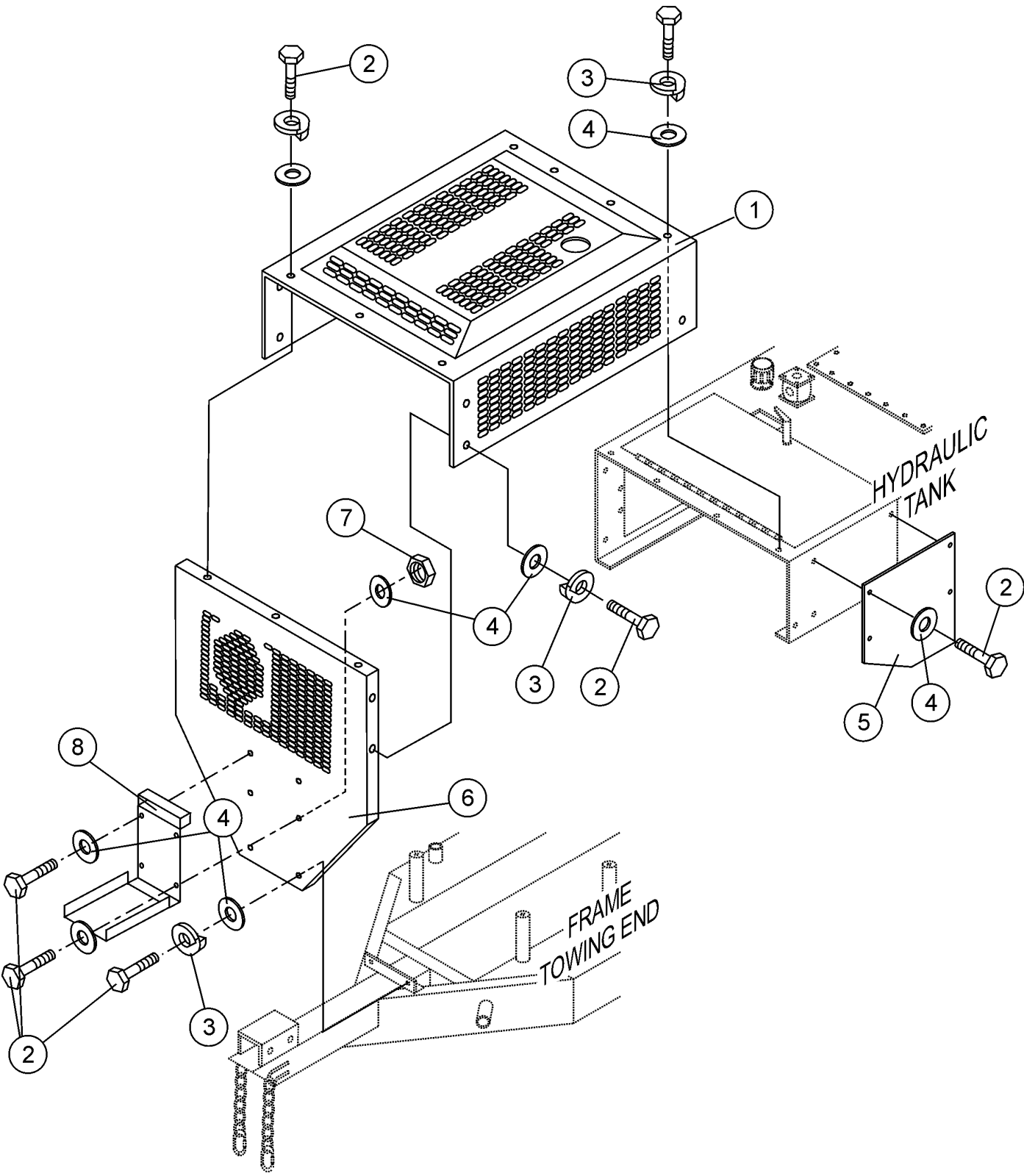


<u>POSITION</u>	<u>LOCATION</u>	<u>LENGTH OF LINES</u>
A.....	CLEVIS GREASE POINT.....	34 in. (1.1 m)
B.....	SWING AXLE BUSHING GREASE POINT.....	26 in. (.85 m)
C.....	PIVOT BRACKET GREASE POINT.....	41 in. (1.5 m)

LUBRICATION PANEL ASSY.

<u>NO.</u>	<u>PART NO.</u>	<u>PART NAME</u>	<u>QTY.</u>	<u>REMARKS</u>
1	EM491701	GREASE FITTING	3	
2	EM508812	CONNECTOR	2	
3	EM510684	CONNECTOR	3	
4	EM505516	HOSE, PLASTIC	A/R	
5	EM505516	HOSE, STEEL	1	

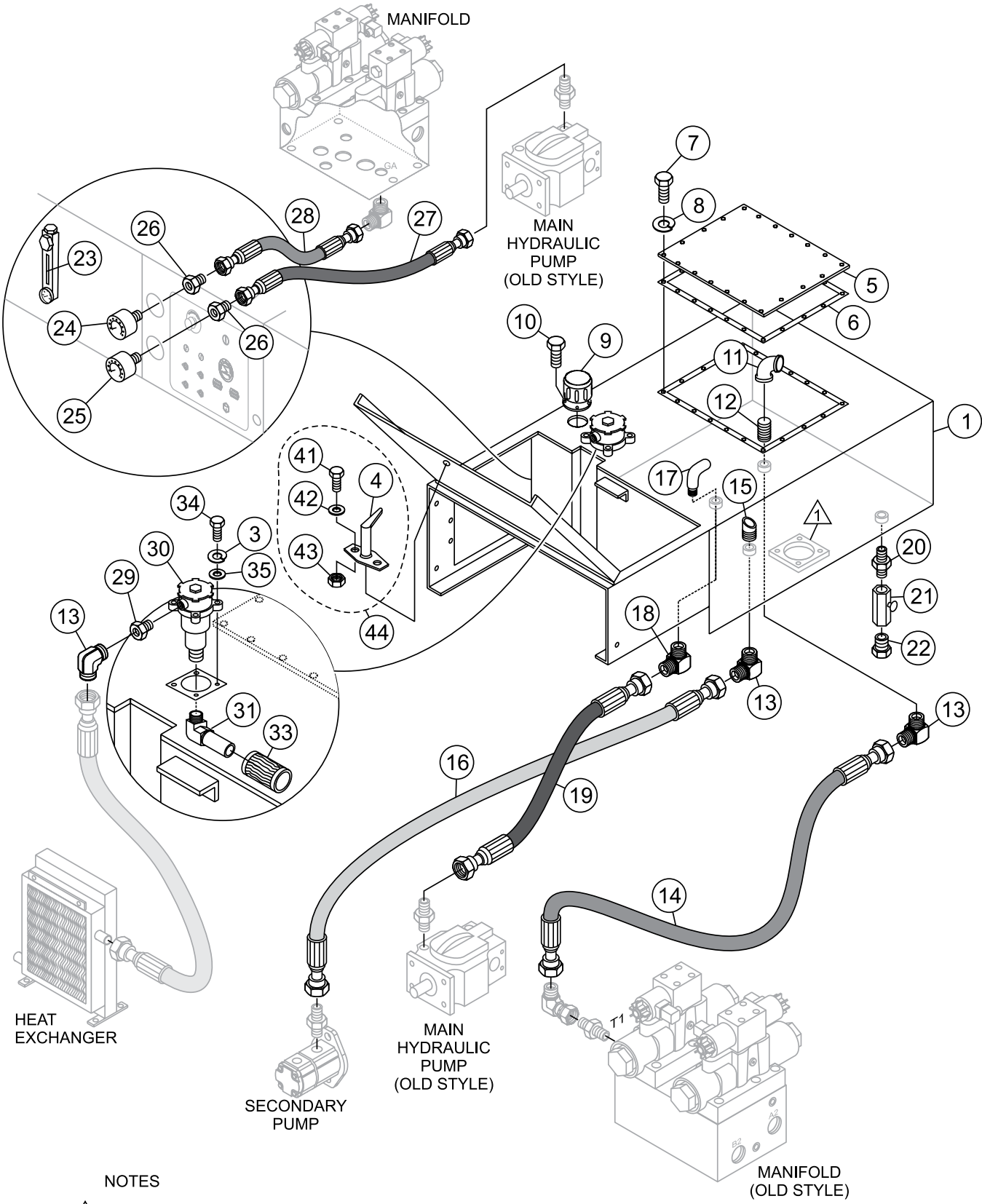
ENGINE COVER ASSY.



ENGINE COVER ASSY.

<u>NO.</u>	<u>PART NO.</u>	<u>PART NAME</u>	<u>QTY.</u>	<u>REMARKS</u>
1	EM514854	COVER, TOP	1.....	LS-40D
1	EM514346	COVER, TOP	1.....	LS-40TD, LS-50TD
2	EM492356	BOLT, HEX 1/4 X 3/4 IN.	18	
3	EM492622	WASHER, LOCK 1/4 IN.	18	
4	EM492596	WASHER, FLAT 1/4 IN.	18	
5	514889	PLATE, SIDE COVER	1	
6	EM510271	COVER, FRONT ENGINE	1	
7	EM492581	NUT, HEX 1/4 IN. NC	4	
8	29057	DOCUMENT BOX	1	

HYDRAULIC TANK ASSY. (OLD STYLE)



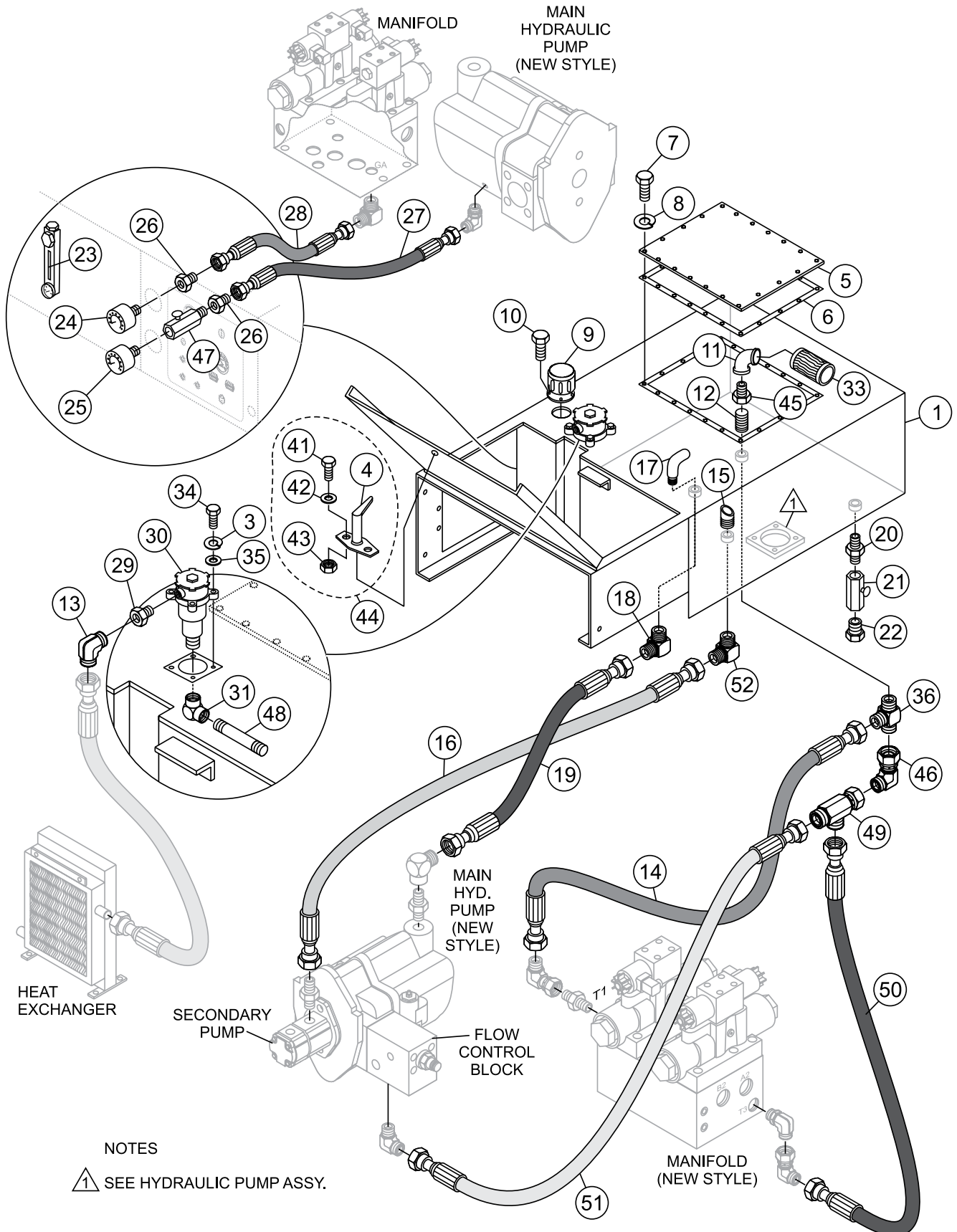
NOTES

1 SEE HYDRAULIC PUMP ASSY.

HYDRAULIC TANK ASSY. (OLD STYLE)

<u>NO.</u>	<u>PART NO.</u>	<u>PART NAME</u>	<u>QTY.</u>	<u>REMARKS</u>
1	514040	HYDRAULIC TANK, LS-S	1	
3	0166 A	WASHER, LOCK 3/8 IN.....	4	REPLACES P/N 492624
4%	517295	HANDLE	1	
5	EM251191	TANK COVER PLATE	1	
6	EM25184	RESERVOIR GASKET	1	
7	492362	BOLT 5/16 X 5/8 IN.	20	
8	EM923343	WASHER, LOCK 5/16 IN.....	20	REPLACES P/N 492623
9	EM98263P	CAP ASSEMBLY	1	
10	492267	BOLT 3/16 X 5/8 IN.	6	
11	16433	TUBE	1	
12	EM491189	FITTING	1	
13	EM18436	90° MALE ADAPTER 2103-16-16	3	
14	EM514605	HOSE	1	
15	EM514622	FITTING, 1 IN.	1	
16	EM514597	HOSE	1	
17	EM491164	ELBOW, 3/4 IN.	1	
18	EM491375	ADAPTER 2103-12-08	1	
19	EM514598	HOSE (2000 PSI)	1	
20	EM509369	STRAIGHT MALE ADAPTOR, 0101-08-08	1	
21	491237	VALVE 1/2 IN.	1	
22	506094	CAP 1/2 IN.	1	
23	EM98188	GAUGE, LEVEL AND TEMP.....	1	REPLACES P/N EM16478
24	EM97066	GAUGE, 3000 PSI, ACCUMULATOR	1	
25	EM97067	GAUGE, 5000 PSI, MAIN	1	
26	EM25523	ADAPTER	2	
27	EM509517	HOSE, 4000 PSI MAIN GAUGE	1	
28	EM514602	HOSE, 4000 PSI ACCUMULATOR GAUGE	1	
29	EM16517	STRAIGHT MALE ADAPTER 0102-24-16	1	
30	EM98112	FILTER RETURN ASSEMBLY	1	
31		ELBOW 1-1/2, 11-1/2 IN. NPT	1	DISCONTINUED. SEE HYD. TANK ASSY. (NEW STYLE) ITEMS 31 AND 48
33	EM16513	DIFFUSER	1	
34	492376	BOLT 3/8 X 1-1/4 IN.	4	
35	492598	WASHER, FLAT 3/8 IN.	4	
41%	TBD	BOLT	2	
42%	TBD	WASHER	2	
43%	TBD	NUT	2	
44	EM508659	HANDLE ASSEMBLY.....	1	INCLUDES ITEMS W/%

HYDRAULIC TANK ASSY. (NEW STYLE)



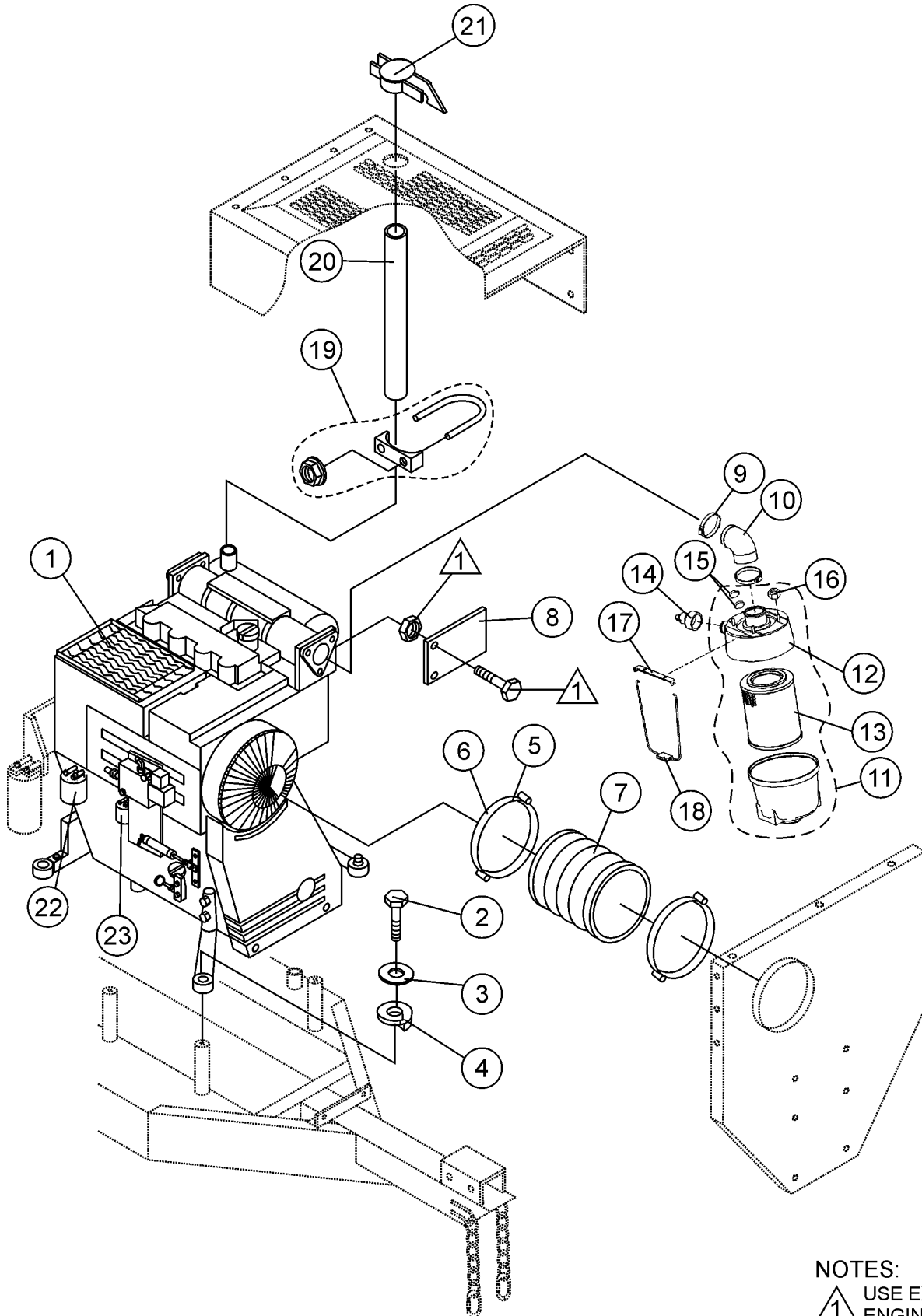
NOTES

△ SEE HYDRAULIC PUMP ASSY.

HYDRAULIC TANK ASSY. (NEW STYLE)

<u>NO.</u>	<u>PART NO.</u>	<u>PART NAME</u>	<u>QTY.</u>	<u>REMARKS</u>
1	514040	HYDRAULIC TANK, LS-S	1	
3	0166 A	WASHER, LOCK 3/8 IN.....	4.....	REPLACES P/N 492624
4%	517295	HANDLE	1	
5	EM251191	TANK COVER PLATE	1	
6	EM25184	RESERVOIR GASKET	1	
7	492362	BOLT 5/16 X 5/8 IN.	20	
8	EM923343	WASHER, LOCK 5/16 IN.....	20.....	REPLACES P/N 492623
9	EM98263	CAP ASSEMBLY	1	
10	492267	BOLT 3/16 X 5/8 IN.	6	
11	16433	TUBE	1	
12	EM491189	FITTING	1	
13	EM18436	90° MALE ADAPTER 2103-16-16	1	
14	EM514605	HOSE	1	
15	EM514622	FITTING, 1 IN.	1	
16	EM514597	HOSE	1	
17	EM491164	ELBOW, 3/4 IN.	1	
18	509784	ADAPTER	1	
19	517002	HOSE.....	1.....	MAY 2006 AND ABOVE
20	EM509369	STRAIGHT MALE ADAPTOR, 0101-08-08	1	
21	491237	VALVE, 1/2 IN.	1	
22	506094	CAP, 1/2 IN.	1	
23	EM98188	GAUGE, LEVEL AND TEMP.	1.....	REPLACES P/N EM16478
24	EM97066	GAUGE, 3000 PSI, ACCUMULATOR	1	
25	EM97067	GAUGE, 5000 PSI, MAIN	1	
26	EM25523	ADAPTER	2	
27	EM509517	HOSE, 4000 PSI MAIN GAUGE	1	
28	EM514602	HOSE, 4000 PSI ACCUMULATOR GAUGE	1	
29	EM16517	STRAIGHT MALE ADAPTER 0102-24-16	1	
30	EM98112	FILTER RETURN ASSEMBLY	1	
31	516814	90° FITTING	1.....	MAY 2006 AND ABOVE
33	EM16513	DIFFUSER	1	
34	492376	BOLT 3/8 X 1-1/4 IN.	4	
35	492598	WASHER, FLAT 3/8 IN.	4	
36	509343	TEE FITTING.....	1.....	MAY 2006 AND ABOVE
41%	EM517129	BOLT	2	
42%	EM517130	WASHER	2	
43%	EM517131	NUT	2	
44	EM508659	HANDLE ASSEMBLY	1.....	INCLUDES ITEMS W/%
45	516813	BUSHING.....	1.....	MAY 2006 AND ABOVE
46	409401	ADAPTER 3903-16-16.....	1.....	MAY 2006 AND ABOVE
47	EM16414	VALVE NEEDLE	1.....	MAY 2006 AND ABOVE
48	16516	NUT, JAM 1-5/16 NPT X 16	1.....	MAY 2006 AND ABOVE
49	509344	ADAPTER 063T-16-16.....	1.....	MAY 2006 AND ABOVE
50	514604	HOSE.....	1.....	MAY 2006 AND ABOVE
51	514604	HOSE.....	1.....	MAY 2006 AND ABOVE

LS-40D ENGINE ASSY.

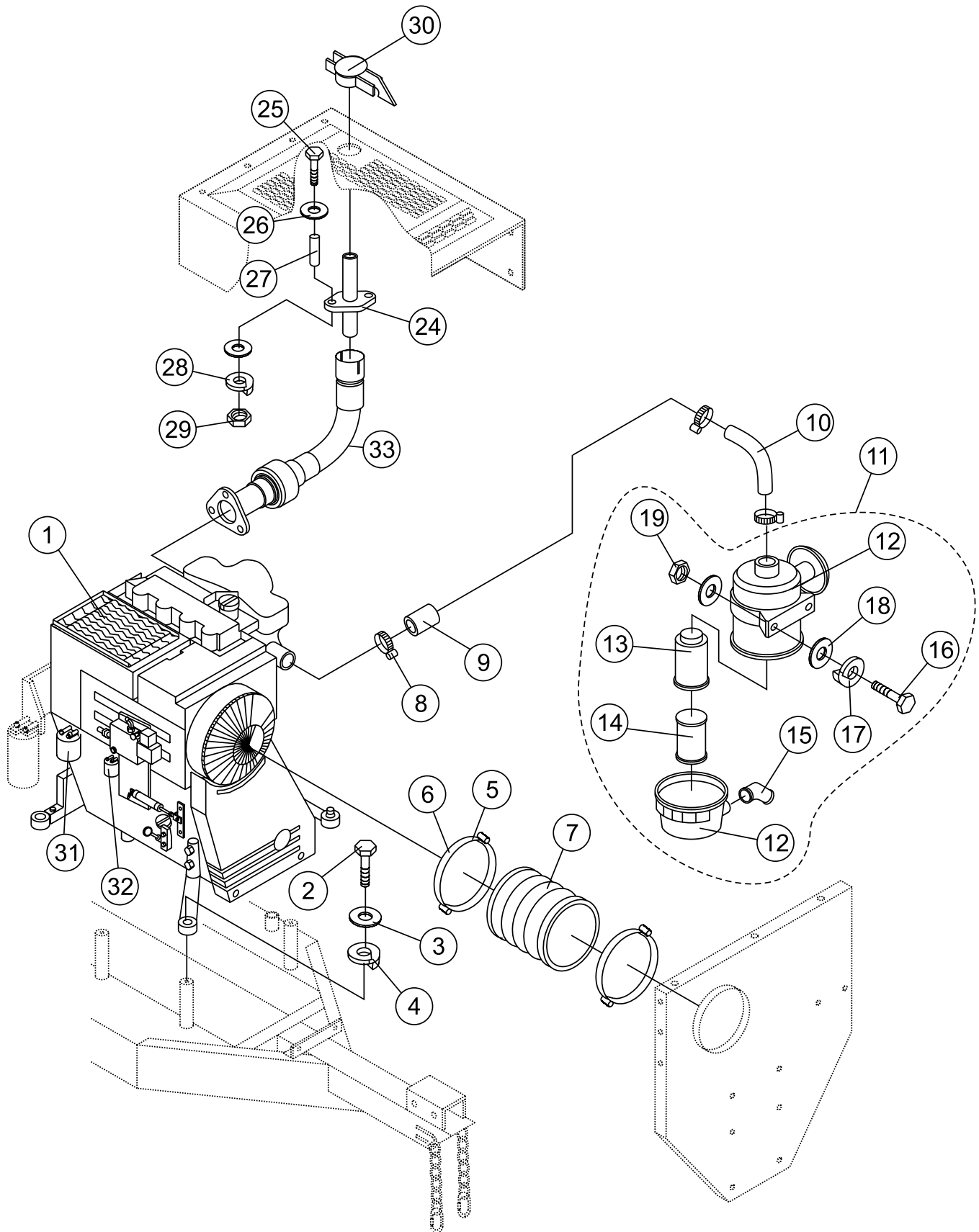


NOTES:
▲ USE EXISTING
1 ENGINE HARDWARE

LS-40D ENGINE ASSY.

<u>NO.</u>	<u>PART NO.</u>	<u>PART NAME</u>	<u>QTY.</u>	<u>REMARKS</u>
1	EM97097	ENGINE, DEUTZ 60HP F4L2011	1	
2	492401	BOLT, 1/2 IN. X 4 FT.	4	
3	6109170	WASHER, FLAT 1/2 IN.	4.....	REPLACES P/N 492600
4	6109180	WASHER, LOCK 1/2 IN.	4.....	REPLACES P/N 492626
5	EM511021	AIR DUCTING CLAMP	2	
6	EM510725	AIR DUCTING CLAMP	2	
7	EM511019	AIR DUCTING DUCTING	1	
8	EM511430	HEAT SHIELD DEFLECTOR	1	
9	01173940	HOSE CLIP	2	
10	04172501	INTAKE ELBOW	1	
11	02169927	AIR CLEANER ASSEMBLY	1.....	INCLUDES ITEMS W/\$
12\$	02240281	HOOD	1	
13\$	4384102	CARTRIDGE, AIR	1	
14	02165357	DUST EJECTOR	1	
15\$	03363577	WASHER, FELT	2	
16\$	01112824	HEX NUT	4	
17	02240285	ANGLE PLATE	1	
18	02240283	CLAMPING YOKE	1	
19	20735	U-CLAMP, EXHAUST 2-1/4 IN.	2	
20	EM510898	TUBE, EXHAUST	1	
21	EM510731	CAP, EXHAUST 2-1/4 IN.	1	
22	01174416	FILTER, OIL (ENGINE)	1	
23	01174696	FILTER, FUEL (ENGINE)	1	

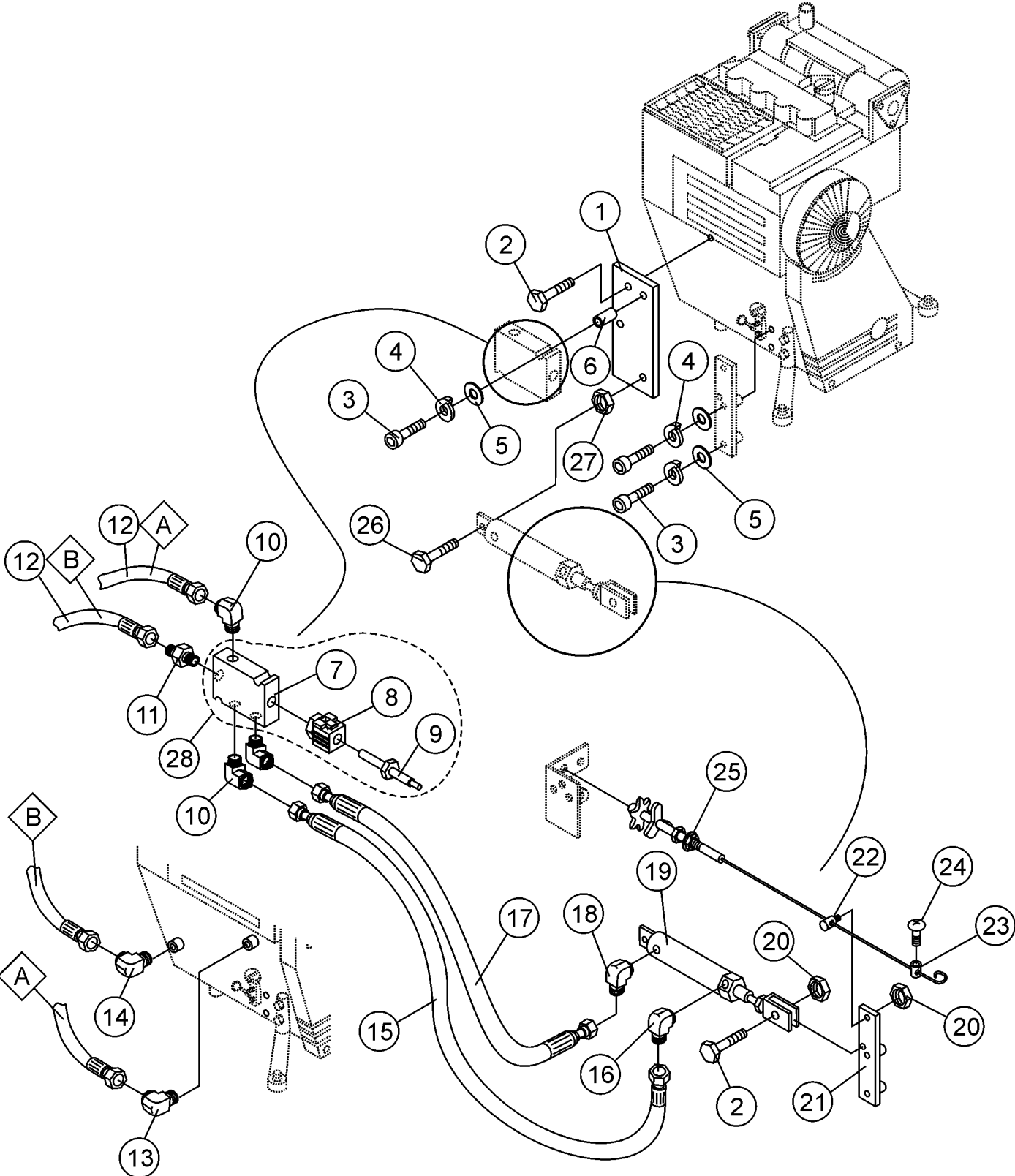
LS-40TD/LS-50TD ENGINE ASSY.



LS-40TD/LS-50TD ENGINE ASSY.

<u>NO.</u>	<u>PART NO.</u>	<u>PART NAME</u>	<u>QTY.</u>	<u>REMARKS</u>
1	EM98189	ENGINE, DEUTZ TURBO 76 HP BF4L2011	1	
2	492401	BOLT 1/2 IN. X 4 FT.	4	
3	6109170	WASHER, FLAT 1/2 IN.	4.....	REPLACES P/N 492600
4	6109180	WASHER, LOCK 1/2 IN.	4.....	REPLACES P/N 492626
5	EM511021	AIR DUCTING CLAMP	2	
6	EM510725	AIR DUCTING CLAMP	2	
7	EM511019	AIR DUCTING DUCTING	1	
8	TBD	CLAMP	3	
9	EM510888	CONNECTOR, AIR FILTER	1	
10	22001301	HOSE, ELBOW 90°	1	
11	22002183	AIR CLEANER ASSEMBLY	1.....	INCLUDES ITEMS W/\$
12\$	01881280	HOOD, AIR CLEANER	1	
13\$	01319257	INSERT, AIR FILTER	1	
14\$	01880870	CARTRIDGE, SAFETY AIR	1	
15\$	01881413	DUST EJECTOR	1	
16\$	EM492366	BOLT 5/16 X 1-1/2 IN.	2	
17\$	EM492623	WASHER, LOCK 5/16 IN.	2	
18\$	EM492597	WASHER, FLAT 5/16 IN.	4	
19\$	EM492553	NUT, HEX 5/16 IN. G5	2	
24	EM514633	REDUCTION TUBE, EXHAUST	1	
25	492371	BOLT 5/16 NC X 3 IN. G5	2	
26	EM923023	WASHER, FLAT 5/16 IN.	4.....	REPLACES P/N 492597
27	EM514714	SPACER, EXHAUST	2	
28	EM923343	WASHER, LOCK 5/16 IN.	2.....	REPLACES P/N 492623
29	2105164	HEX NUT 5/16 IN. G5.....	2.....	REPLACES P/N 492553
30	EM510897	CAP, EXHAUST 2-1/2 IN.	1	
31	01174416	FILTER, OIL (ENGINE)	1	
32	01174696	FILTER, FUEL (ENGINE)	1	
33	EM516434	PIPE EXHAUST ASSEMBLY	1	

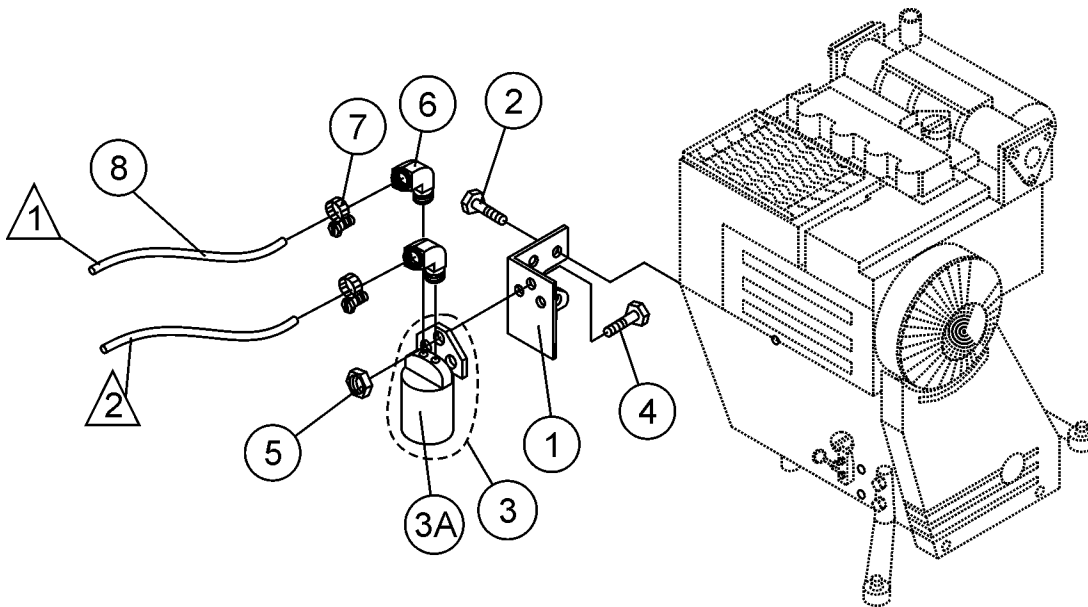
THROTTLE ASSY.





THROTTLE ASSY.

<u>NO.</u>	<u>PART NO.</u>	<u>PART NAME</u>	<u>QTY.</u>	<u>REMARKS</u>
1	510792	SUPPORT	1	
2	492356	BOLT 1/4 X 3/4 IN.	3	
3	EM167	BOLT 1/4 X 1-3/4 IN.	4	
4	EM923057	WASHER, LOCK 1/4 IN.	4	REPLACES P/N 492596
5	2101402	WASHER 1/4 IN.	4	REPLACES P/N 492622
6	EM16465	PISTON SPACER	2	
7\$	EM98233	BLOCK	1	
8\$	EM98228	COIL, 12V	1	
9\$	EM98229	VALVE	1	
10	EM25429	ELBOW ADAPTER 90° MALE	3	
11	EM25511	STRAIGHT ADAPTER	1	
12	EM25576	HOSE 20 IN.	2	
13	EM50449	ELBOW ADAPTER 90° MALE	1	
14	EM25504	ELBOW ADAPTER 90° MALE	1	
15	EM50463	HOSE 17-1/2 IN.	1	
16	EM50449	ELBOW ADAPTER 90° MALE	1	
17	EM50462	HOSE 10 IN.	1	
18	EM50449	ELBOW ADAPTER 90° MALE	1	
19	EMCC700	HYDRAULIC CYLINDER	1	
20	492581	NUT, HEX 1/4 IN.	2	
21	515812	THROTTLE CONTROL PLATE	1	
22	513213	THROTTLE CABLE GUIDE	1	
23	EM501102	SLEEVE, THROTTLE	1	
24	EM491089	BOLT 8 X 1/4 IN.	1	
25	510229	CABLE, THROTTLE	1	
26	492366	BOLT 5/16 X 1-1/2 IN.	1	
27	2105164	HEX NUT 5/16 IN.	1	REPLACES P/N 492553
28	EM98168	THROTTLE BLOCK ASSEMBLY	1	INCLUDES ITEMS W/\$

WATER SEPARATOR ASSY.



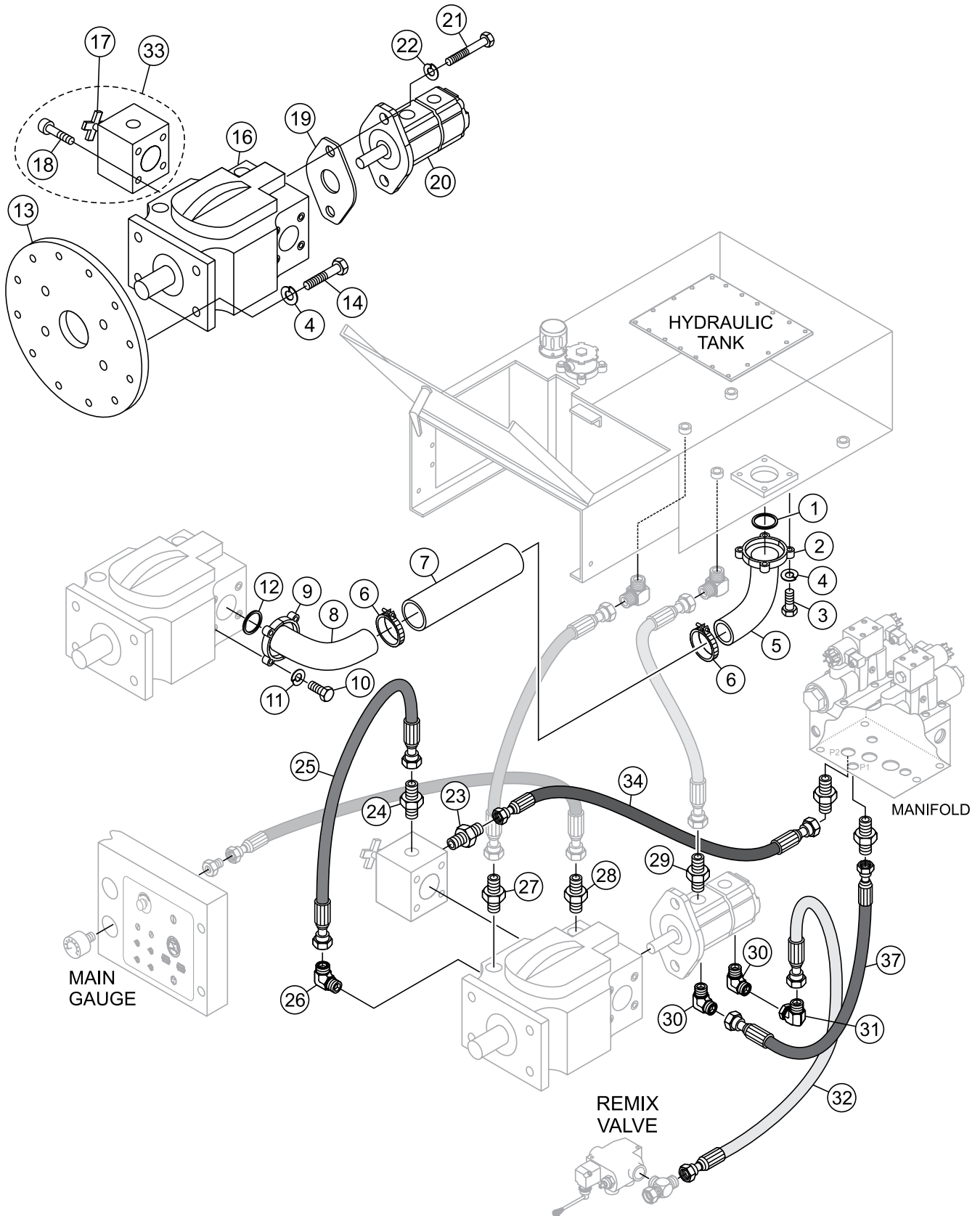
NOTES

-  CONNECT TO FUEL FILTER
FUEL TANK ASSY., ITEM 11
-  CONNECT TO FUEL RETURN HOSE
FUEL TANK ASSY., ITEM 8

WATER SEPARATOR ASSY.

<u>NO.</u>	<u>PART NO.</u>	<u>PART NAME</u>	<u>QTY.</u>	<u>REMARKS</u>
1	514340	BRACKET, WATER SEPARATOR	1	
2	TBD	BOLT	2	
3	EM16747	WATER SEPARATOR ASSEMBLY	1.....	INCLUDES ITEM W/%
3A%	P53712	CARTRIDGE, WATER SEPARATOR	1	
4	492364	BOLT 5/16 X 1 IN.	3	
5	2105164	HEX NUT 5/16 IN.....	3.....	REPLACES P/N 492582
6	EM514559	ELBOW ADAPTER 90° MALE	2	
7	EM506208	CLAMP, HOSE	2	
8	EM514536	HOSE 5/16 IN.	TBD	

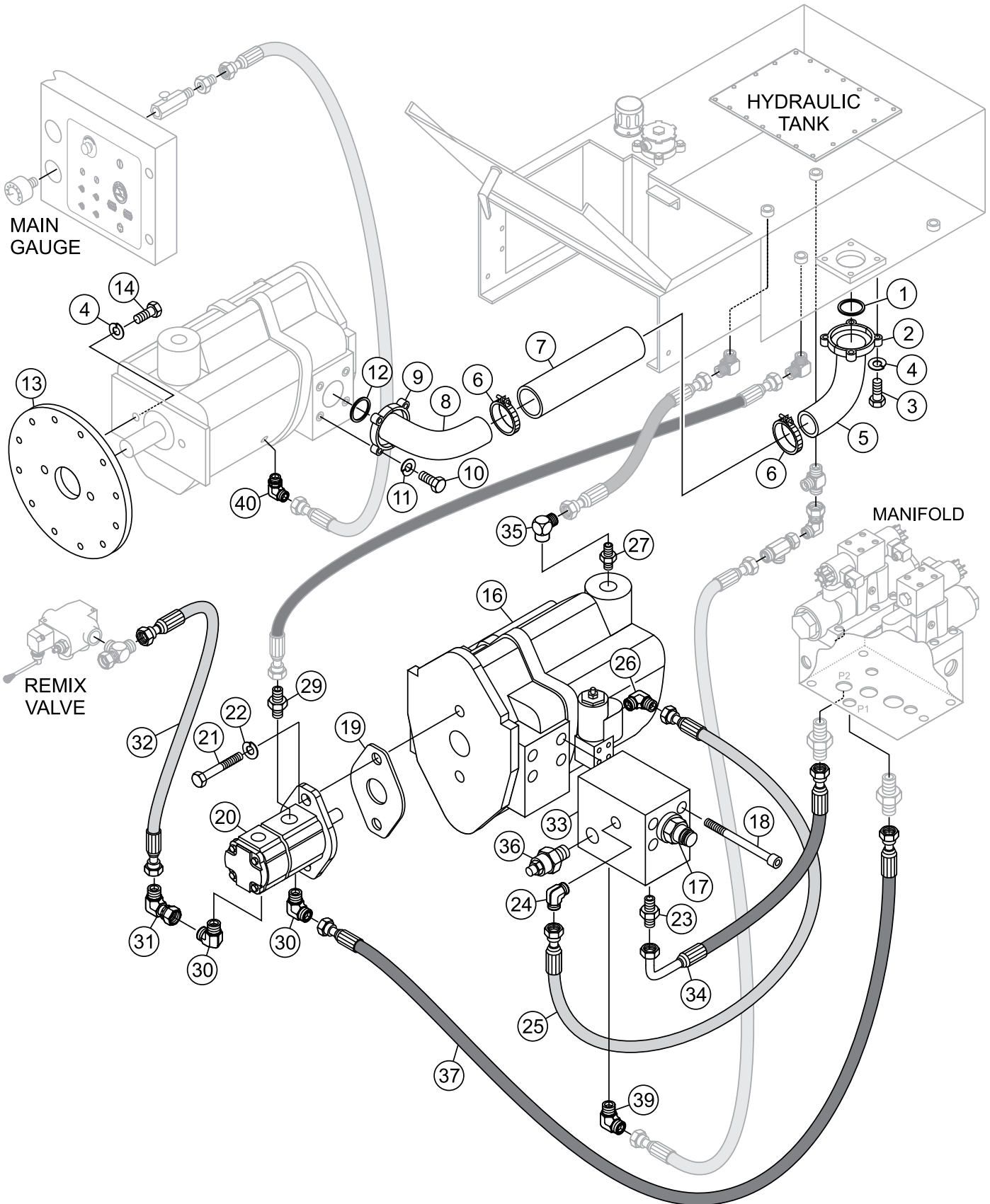
HYDRAULIC PUMP ASSY. (OLD STYLE)



HYDRAULIC PUMP ASSY. (OLD STYLE)

<u>NO.</u>	<u>PART NO.</u>	<u>PART NAME</u>	<u>QTY.</u>	<u>REMARKS</u>
1\$		O-RING	1	
2	EM514719	FLANGE, SUCTION PIPE	2.....	INCLUDES ITEM W/\$
3	EM492455	BOLT 1/2 X 1-1/2 IN.....	4.....	APRIL 2006 AND BELOW
4	6109180	WASHER, LOCK 1/2 IN.....	8.....	REPLACES P/N 492626
5	EM514718	SUCTION PIPE ADAPTER, 40 SPECIAL	1	
6	EM26473	CLAMP, TYPE "J" 3 IN.....	4.....	APRIL 2006 AND BELOW
7	EM514623	HOSE, SUCTION 2 IN.	1	
8	EM514627	ADAPTER, SUCTION PIPE 32	1	
9	EM514628	FLANGE, SUCTION PIPE	1.....	INCLUDES ITEM W/%
10	EM510902	BOLT 1/2 X 1-1/2 IN.	4	
11	6109180	WASHER, LOCK 1/2 IN.....	4.....	REPLACES P/N 492626
12%		O-RING	1	
13	EM98128	COUPLER, ENGINE ASSEMBLY	1	
14	EM510902	BOLT 1/2 X 1-1/2 IN.	4	
16	EM98111	PUMP, MAIN 60CC, PARKER P2-60 SERIES...1.....		LS-40D/LS-40TD ONLY
16	EM98115	PUMP, MAIN 75CC, PARKER P2-75 SERIES...1.....		LS-50TD ONLY APRIL 2006 AND BELOW
17	EM98209	VALVE, CARTRIDGE	1	
18	EM506953	BOLT 7/16 X 3 IN.	4	
19	EM16190	GASKET	1	
20	EM98107	PUMP, SECONDARY	1	
21	EM963610	BOLT 3/8 X 1 IN.....	2.....	REPLACES P/N 492375
22	0166 A	WASHER, LOCK 3/8 IN.....	2.....	REPLACES P/N 492624
23	EM25462	STRAIGHT ADAPTER.....	1.....	APRIL 2006 AND BELOW
24	EM25511	ADAPTER.....	1.....	APRIL 2006 AND BELOW
25	EM514599	HOSE, 4000 PSI SENSOR.....	1.....	APRIL 2006 AND BELOW
26	EM25506	ELBOW ADAPTER.....	1.....	APRIL 2006 AND BELOW
27	EM16525	STRAIGHT ADAPTER.....	1.....	APRIL 2006 AND BELOW
28	TBD	STRAIGHT ADAPTER.....	1.....	APRIL 2006 AND BELOW
29	EM25498	STRAIGHT ADAPTER	1	
30	EM16524	ELBOW ADAPTER, 90° MALE	2	
31	506195	ELBOW ADAPTER, 90° FEMALE.....	1.....	APRIL 2006 AND BELOW
32	EM514601	HOSE, 2000 PSI REMIX VALVE	1	
33		FLOW CONTROL ASSEMBLY	1.....	DISCONTINUED-SEE HYD PUMP ASSY (NEW STYLE) ITEM 33
34	EM514614	HOSE, MAIN MANIFOLD	1.....	APRIL 2006 AND BELOW
37	EM514608	HOSE	1	

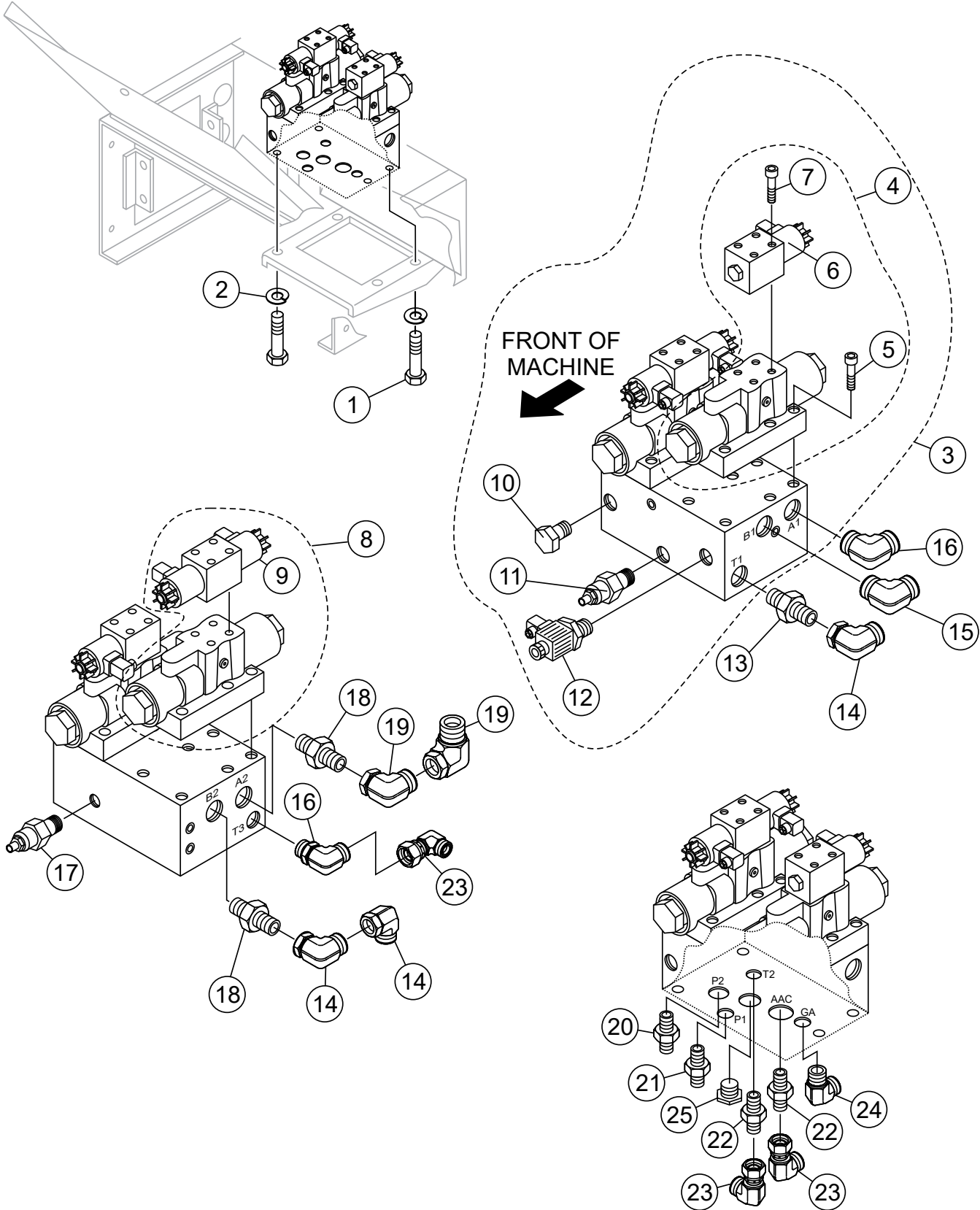
HYDRAULIC PUMP ASSY. (NEW STYLE)



HYDRAULIC PUMP ASSY. (NEW STYLE)

<u>NO.</u>	<u>PART NO.</u>	<u>PART NAME</u>	<u>QTY.</u>	<u>REMARKS</u>
1&	TBD	O-RING	1	
2	EM514719	FLANGE, SUCTION PIPE	2.....	INCLUDES ITEM W/&
3	EM492444	BOLT 1/2 X 1-1/4 IN.....	4.....	MAY 2006 AND ABOVE
4	6109180	WASHER, LOCK 1/2 IN.....	6.....	REPLACES P/N 492626
5	EM514718	SUCTION PIPE ADAPTER, 40 SPECIAL	1	
6	EM515207	CLAMP 2 IN.....	2.....	MAY 2006 AND ABOVE
7	EM514623	HOSE, SUCTION 2 IN.	1	
8	EM514627	ADAPTER, SUCTION PIPE 32	1	
9	EM514628	FLANGE, SUCTION PIPE	1.....	INCLUDES ITEM W/%
10	EM510902	BOLT 1/2 X 1-1/2 IN.	4	
11	6109180	WASHER, LOCK 1/2 IN.....	4.....	REPLACES P/N 492626
12%		O-RING	1	
13	EM98128	COUPLER, ENGINE ASSY.	1	
14	EM510902	BOLT 1/2 X 1-1/2 IN.	2	
16	EM98111	PUMP, MAIN 60CC, PARKER P2-60 SERIES...1.....		LS-40D/LS-40TD ONLY
16	EM98256	PUMP, MAIN 75CC, PARKER P1-75 SERIES...1.....		LS-50TD ONLY MAY 2006 AND ABOVE
17	TBD	VALVE, CARTRIDGE	1	
18\$	EM506953	BOLT 7/16 X 3 IN.	4	
19	EM16190	GASKET	1	
20	EM98107	PUMP, SECONDARY	1	
21	EM963610	BOLT 3/8 X 1 IN.....	2.....	REPLACES P/N 492375
22	0166 A	WASHER, LOCK 3/8 IN.....	2.....	REPLACES P/N 492624
23	EM25498	STRAIGHT ADAPTER.....	1.....	MAY 2006 AND ABOVE
24	EM25429	ELBOW ADAPTER	1.....	MAY 2006 AND ABOVE
25	EM514599	HOSE, 4000 PSI SENSOR.....	1.....	LS40TD ONLY MAY 2006 AND ABOVE
25	EM516875	HOSE, 4000 PSI SENSOR.....	1.....	LS50TD ONLY MAY 2006 AND ABOVE
26	EM25429	ELBOW ADAPTER	1.....	MAY 2006 AND ABOVE
27	EM491372	STRAIGHT ADAPTER.....	1.....	MAY 2006 AND ABOVE
29	EM25498	STRAIGHT ADAPTER	1	
30	EM16524	ELBOW ADAPTER 90° MALE	2	
31	506200	ELBOW ADAPTER	1.....	MAY 2006 AND ABOVE
32	EM514601	HOSE 2000 PSI, REMIX VALVE	1	
33	EM98262	FLOW CONTROL MANIFOLD ASSY.....	1.....	LS40TD ONLY INCLUDES ITEMS W/\$ MAY 2006 AND ABOVE
33	EM98252	FLOW CONTROL MANIFOLD ASSY.....	1.....	LS-50TD ONLY INCLUDES ITEMS W/\$ MAY 2006 AND ABOVE
34	EM517038	HOSE, MAIN MANIFOLD	1.....	MAY 2006 AND ABOVE
35	EM509353	ELBOW.....	1.....	MAY 2006 AND ABOVE
36\$	TBD	VALVE, MAIN RELIEF	1.....	MAY 2006 AND ABOVE
37	EM514608	HOSE.....	1	
39	EM25459	ELBOW	1.....	MAY 2006 AND ABOVE
40	EM25429	ELBOW ADAPTER	1.....	MAY 2006 AND ABOVE

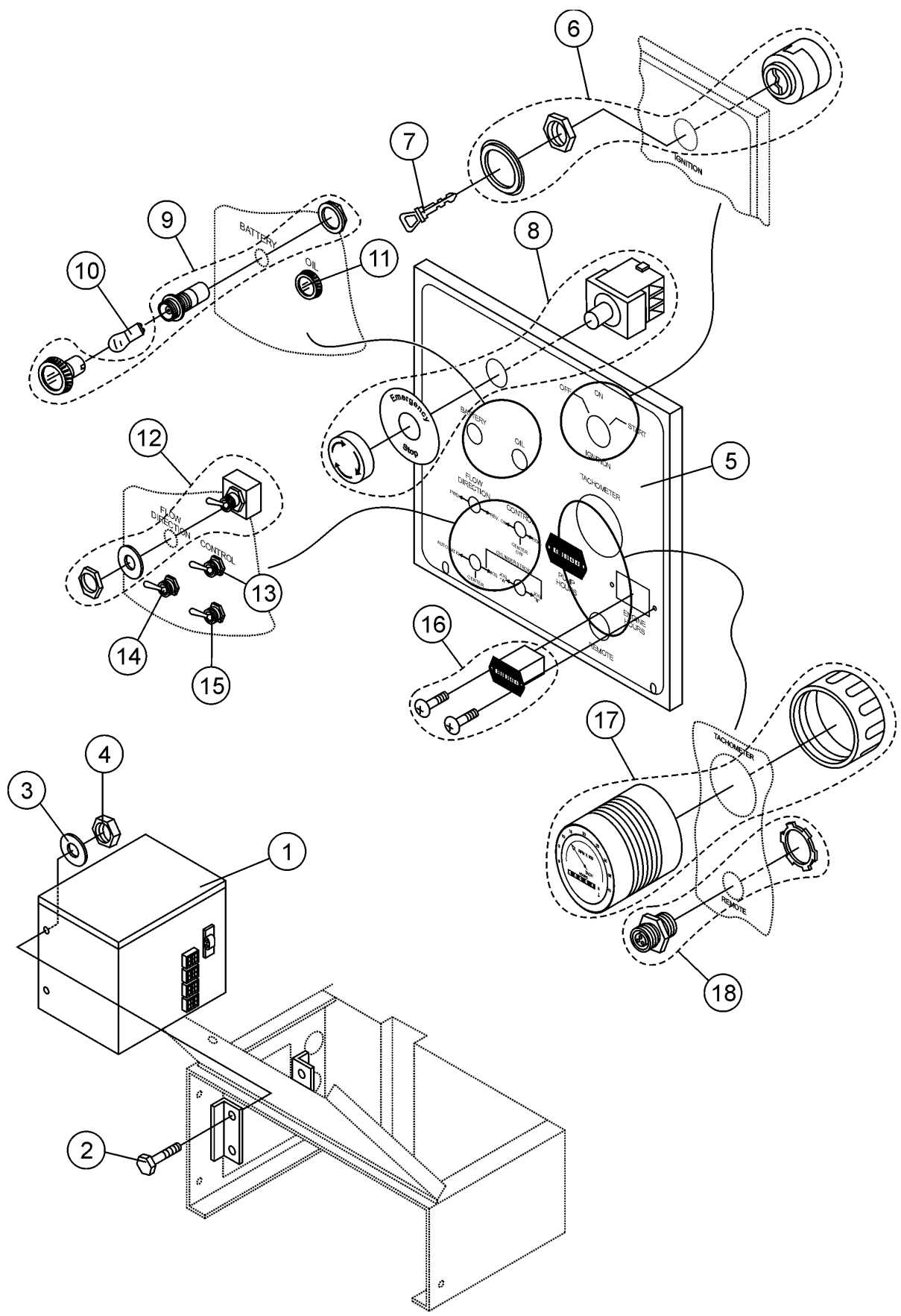
MANIFOLD ASSY.



MANIFOLD ASSY.

<u>NO.</u>	<u>PART NO.</u>	<u>PART NAME</u>	<u>QTY.</u>	<u>REMARKS</u>
1	EM963102	BOLT 1/2 X 1-1/4 IN.....	4.....	REPLACES P/N 492393
2	6109180	WASHER, LOCK 1/2 IN.....	4.....	REPLACES P/N 492626
3	EM98261	MANIFOLD ASSEMBLY COMPLETE.....	1.....	REPLACES P/N EM98109 INCLUDES ITEMS W/\$
4\$	EM98220	CYCLING VALVE ASSEMBLY, SWING	1.....	INCLUDES ITEMS W/#
5\$#	EMBK227	BOLT, ALLEN HEAD 1/2 X 2-1/4" SHCS	12	
6\$#	EM98223	PILOT VALVE, SHUTTLE	1	
7\$#	EMBK2097	BOLT, ALLEN HEAD 1/2 X 1-1/4" SHCS	8	
8	EM98221	CYCLING VALVE ASSEMBLY, MAIN	1.....	INCLUDES ITEM W/%
9%	EM98222	PILOT VALVE, MAIN CYLINDER	1	
10\$	EM98227	CHECK VALVE	1	
11\$	EM98224	MAIN RELIEF VALVE	1.....	DISCONTINUED MAY 2006
12\$	EM98307	UNLOADER VALVE KIT	1	
13	EM25498	ADAPTER	1	
14	EM509401	ADAPTER	3	
15	EM514488	ADAPTER	1	
16	EM25459	ADAPTER	2	
17	EM98226	UNLOADING RELIEF VALVE, SHUTTLE	1	
18	EM514231	ADAPTER	2	
19	EM14489	ADAPTER.....	3.....	APRIL 2006 AND BELOW
19	EM514489	ADAPTER.....	2.....	MAY 2006 AND ABOVE
20	EM491372	ADAPTER	1	
21	506193	ADAPTER	1	
22	EM25462	ADAPTER	2	
23	EM509353	ADAPTER	3	
24	EM25429	ADAPTER	1	
25	EM98227	CHECK VALVE	1	

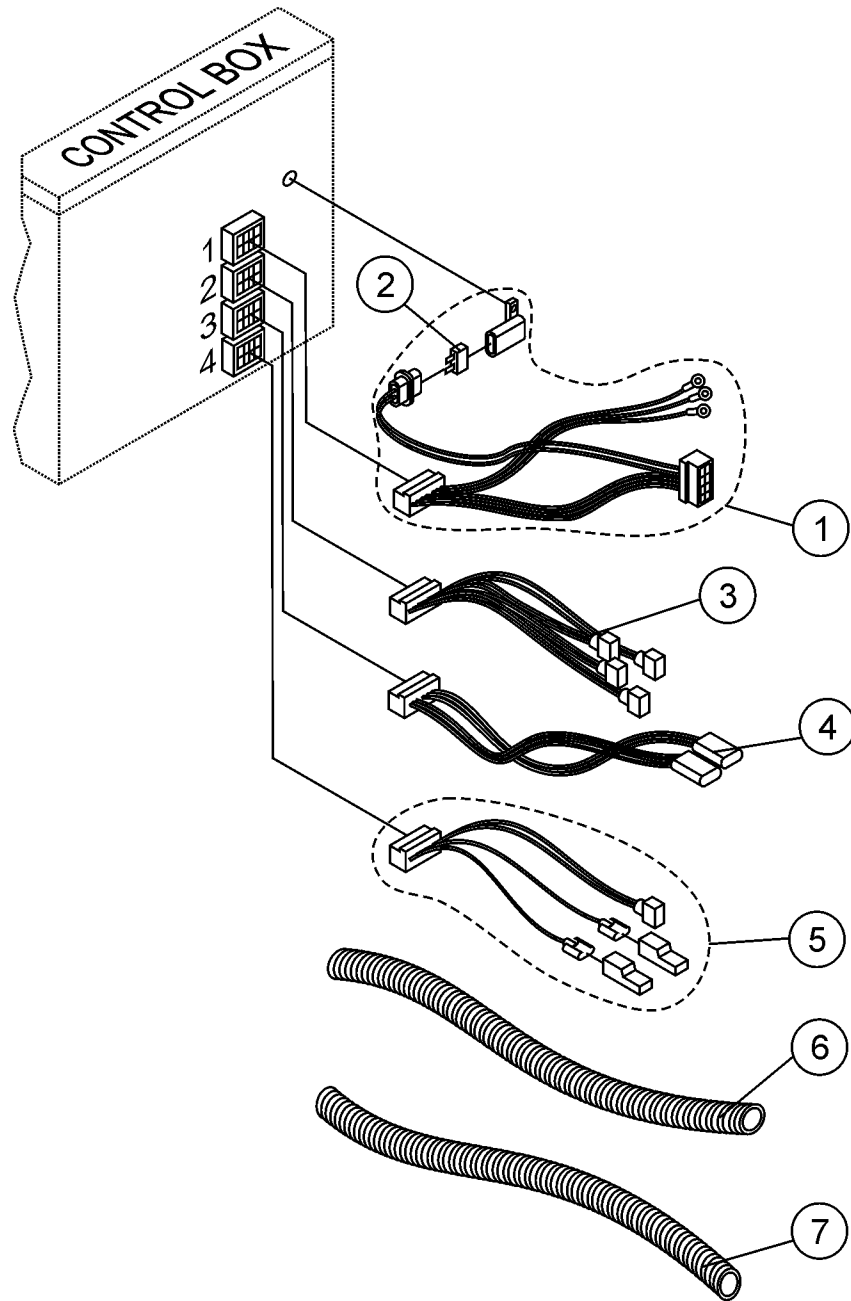
CONTROL BOX ASSY.



CONTROL BOX ASSY.

<u>NO.</u>	<u>PART NO.</u>	<u>PART NAME</u>	<u>QTY.</u>	<u>REMARKS</u>
1	EM98125	CONTROL BOX ASSEMBLY	1	
2	0202	BOLT 5/16 X 1 IN.....	4	REPLACES P/N 492364
3	EM923023	WASHER, FLAT 5/16 IN.	4	REPLACES P/N 492597
4	2105164	NUT 5/16 IN.....	4	REPLACES P/N 492582
5	EM98171	OVERLAY, CONTROL PANEL	1	
6	EM98206	IGNITION SWITCH ASSEMBLY	1	
7	EM98206K	KEY, IGNITION	1	
8	EM98208	EMERGENCY STOP SW. ASSEMBLY	1	
9	01180384	BATTERY LIGHT ASSEMBLY	1	
10	51908	BULB, LIGHT	1	
11	01180382	OIL LIGHT ASSEMBLY	1	
12	EM98120	FLOW DIRECTION SWITCH ASSEMBLY	1	
13	EM98119	MAIN CONTROL SWITCH ASSEMBLY	1	
14	EM98121	AUTO/JOG SWITCH ASSEMBLY	1	
15	EM98122	JOG A/B SWITCH ASSEMBLY	1	
16	EM97062	HOUR METER ASSEMBLY	2	
17	EM98124	TACHOMETER ASSEMBLY	1	
18	EM97068	RECEPTACLE, REMOTE	1	

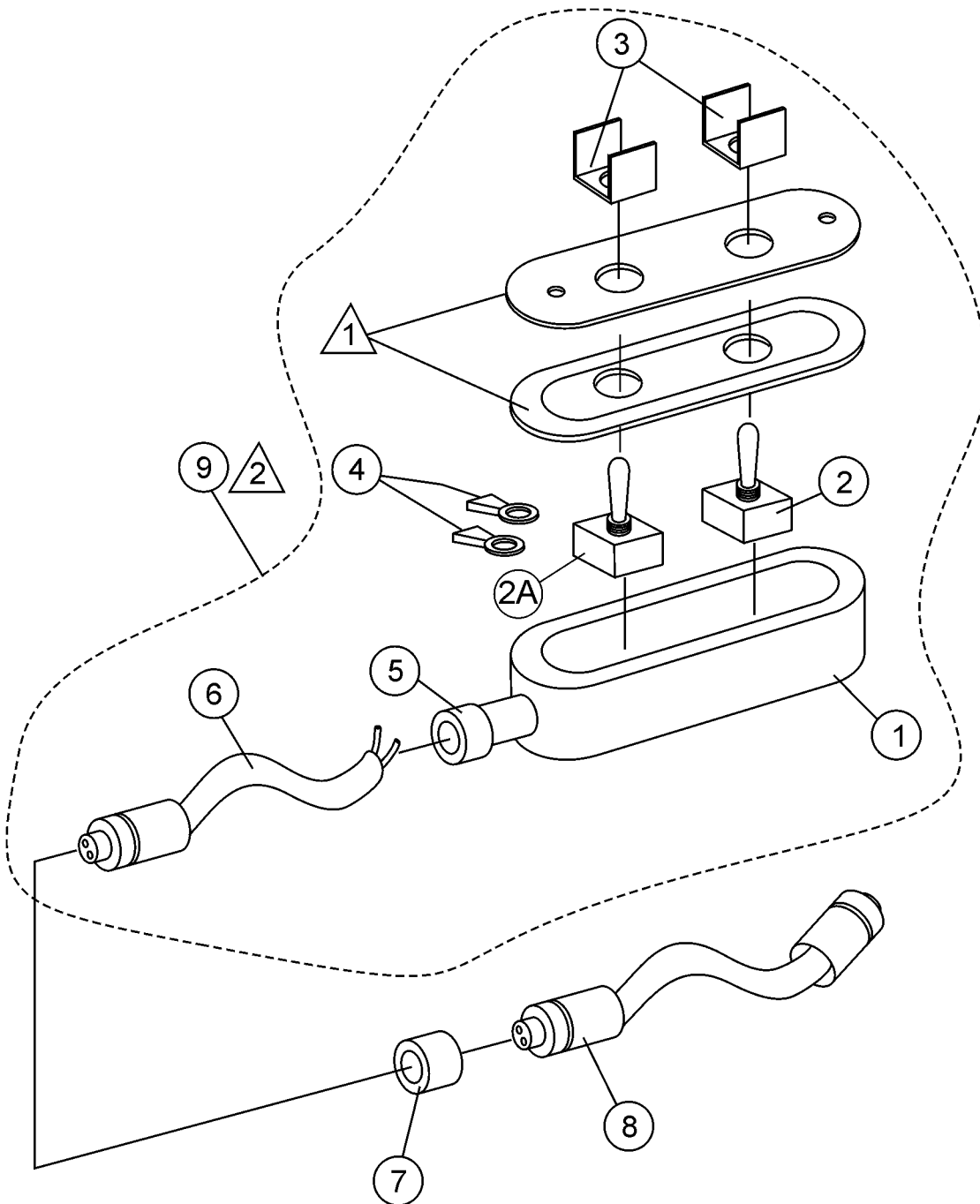
CONTROL BOX HARNESSES ASSY.



CONTROL BOX HARNESES ASSY.

<u>NO.</u>	<u>PART NO.</u>	<u>PART NAME</u>	<u>QTY.</u>	<u>REMARKS</u>
1	EM514635	WIRE HARNESS 1	1	INCLUDES ITEM W/\$
2\$	344102000	FUSE, 30 AMP	1	
3	EM514636	WIRE HARNESS 2	1	
4	EM514637	WIRE HARNESS 3	1	
5	EM514638	WIRE HARNESS 4	1	
6	509588	POLY FLEX TUBE 1/2 IN. BLACK	AR	
7	16716	CONDUCTIVE DIVIDER 3/8 IN.	AR	

REMOTE CONTROL CABLE ASSY.



NOTES:

- △ 1 INCLUDED WITH ITEM 1.
- △ 2 COMPLETE CORD ASSY.
INCLUDES ITEMS
WITHIN DASHED LINE.

REMOTE CONTROL CABLE ASSY.

<u>NO.</u>	<u>PART NO.</u>	<u>PART NAME</u>	<u>QTY.</u>	<u>REMARKS</u>
1\$	EM16753	JUNCTION BOX	1	
2\$	EM16754	SWITCH	1	
2A	EM97075	SWITCH	1	
3\$	EM491897	CONNECTOR, RING 3/16 IN.	4	
4\$	EM16756	GUARD SWITCH - ALUMINUM	2	
5\$	EM26791	SEAL, GRIP CORD	1	
6\$	EM26790	CORD, MX P/E 25 FT.	1	
7	EM26793	ADAPTER, CORD GRIP 1/2 IN.	1	
8	EM97065	ADAPTER, CORD 100 FT.	1	
9	EM97099	COMPLETE CORD ASSEMBLY 25 FT	1.....	INCLUDES ITEMS W/\$

PARTS MANUAL

HERE'S HOW TO GET HELP

PLEASE HAVE THE MODEL AND SERIAL
NUMBER ON-HAND WHEN CALLING

UNITED STATES

Multiquip Inc.

(310) 537- 3700
6141 Katella Avenue Suite 200
Cypress, CA 90630
E-MAIL: mq@multiquip.com
WEBSITE: www.multiquip.com

CANADA

Multiquip

(450) 625-2244
4110 Industriel Boul.
Laval, Quebec, Canada H7L 6V3
E-MAIL: infocanada@multiquip.com

UNITED KINGDOM

Multiquip (UK) Limited Head Office

0161 339 2223
Unit 2, Northpoint Industrial Estate,
Globe Lane,
Dukinfield, Cheshire SK16 4UJ
E-MAIL: sales@multiquip.co.uk

© COPYRIGHT 2025, MULTIQUIP INC.

Multiquip Inc. and the MQ logo are registered trademarks of Multiquip Inc. and may not be used, reproduced, or altered without written permission. All other trademarks are the property of their respective owners and used with permission.

This manual MUST accompany the equipment at all times. This manual is considered a permanent part of the equipment and should remain with the unit if resold.

The information and specifications included in this publication were in effect at the time of approval for printing. Illustrations, descriptions, references and technical data contained in this manual are for guidance only and may not be considered as binding. Multiquip Inc. reserves the right to discontinue or change specifications, design or the information published in this publication at any time without notice and without incurring any obligations.

