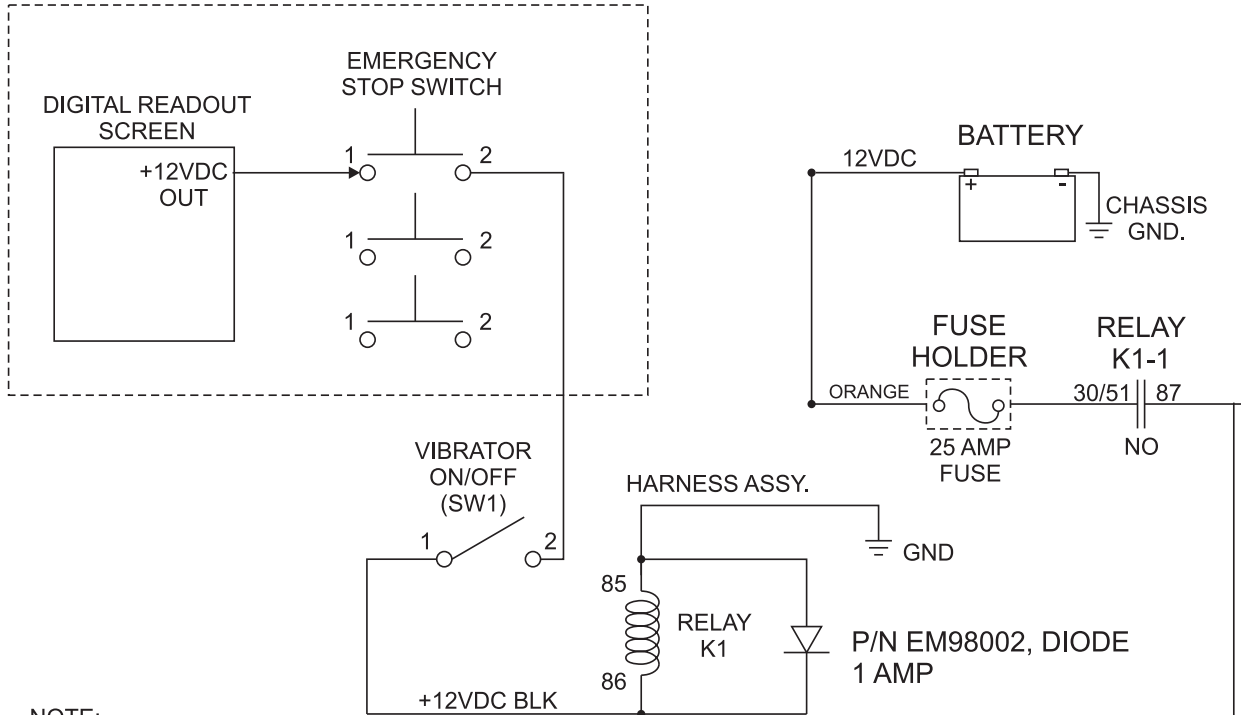


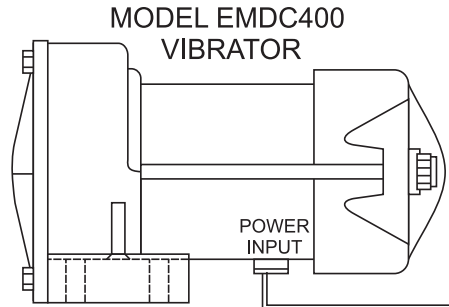
LS400/LS500 PUMP — WIRING DIAGRAM (HOPPER VIBRATOR)

CONTROL BOX



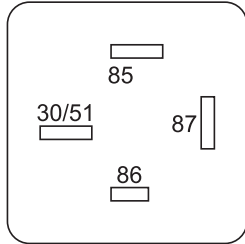
NOTE:
WHEN USED WITH
OPTIONAL WIRELESS
RADIO (NOT SHOWN),
CONNECT RECEIVER
UNLOADER PIN #11
TO RELAY K1 PIN 85.
(DO NOT GROUND)

COMPLETE OPTIONAL
VIBRATOR KIT
P/N EMDC400K



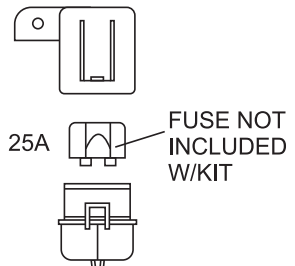
CONNECT TO
CHASSIS GND

RELAY K1
(REAR VIEW)



P/N 52016

FUSE HOLDER
P/N EM98066



NOTE:
ALL WIRES ARE 10 AWG.
UNLESS OTHERWISE SPECIFIED

Optional Hopper Vibrator Wiring Diagram