



LT6KV Light Tower with GB2000/GB4000 Bracket Assembly

GloBug Universal Bracket Assembly Spacer Kit Installation Instructions

The following instructions are intended to assist the user with the installation of spacers for use on the LT6KV T-Bar Assembly when equipped with the GloBug GB2000 or GB4000. Please read all instructions before installing the kit. If your LT6KV T-Bar Mast has the two spacers already installed, disregard these instructions.

REQUIRED TOOLS

- Ratchet Set

PARTS

Verify that all parts are accounted for. See Figure 1 and Table 1.

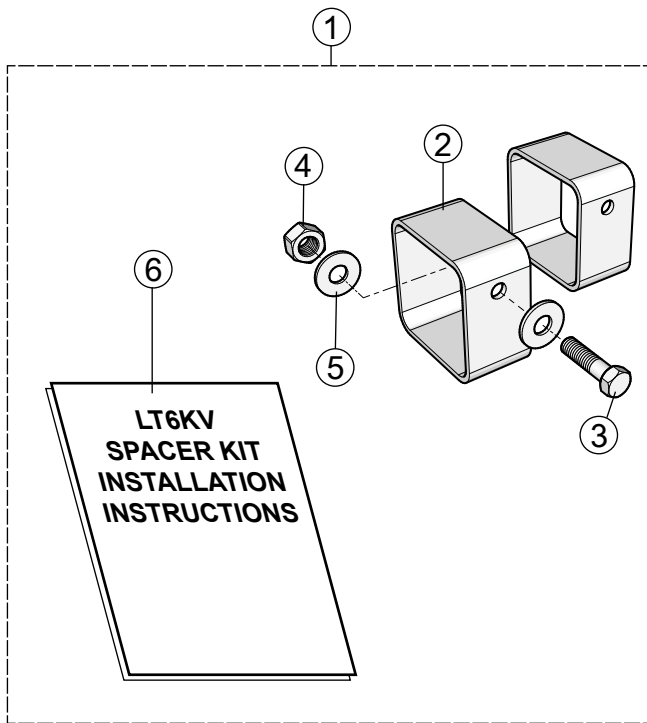


Figure 1. LT6KV Spacer Kit

Table 1. LT6KV Spacer Kit				
Item No.	Part No.	Description	QTY.	Remarks
1	44999	Kit, LT6KV GB2000/GB4000 Spacer Installation	1	Includes items 2-6
2	44999-001	Spacer, GB2000/4000 For LT6KV Only	2	
3	2295	Bolt, HHC 1/4-20 x 7/8	2	
4	10024	Nut, Nyloc 1/4-20	2	
5	933240	Washer, Flat SAE 1/4 Grd 9 YZ	4	
6	44998	Instruction Sheet	1	

WORK SAFELY!

Follow good mechanical common sense and all shop safety rules when performing this installation.

PREPARATION

1. Place all circuit breakers (Figure 2) in the **OFF** position, and turn engine **OFF**.

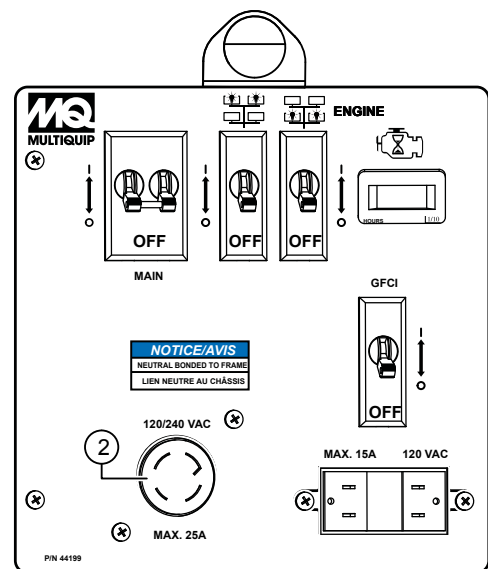


Figure 2. Circuit Breakers Off

2. Position the light tower in an area conducive for general service. Make sure it is on level ground, and that the wheels are chocked (Figure 3) to prevent the light tower from rolling.
3. Make sure the tower is in the stowed position (mast fully lowered). See Figure 3.

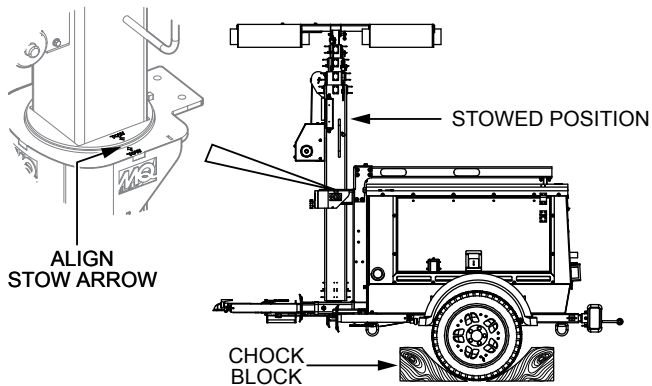


Figure 3. LT6KV Stowed Position

4. To stabilize light tower and prevent tipping, deploy both outriggers (Figure 4).

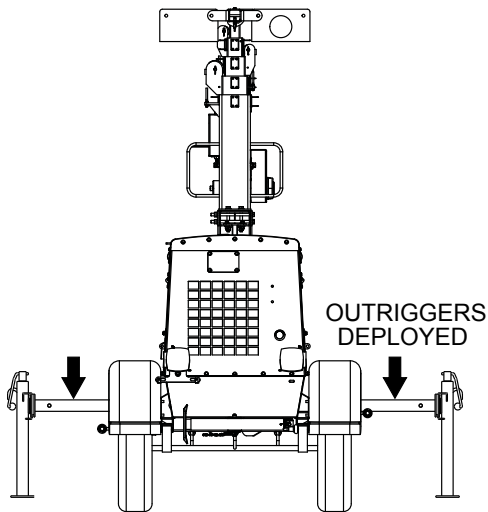


Figure 4. Outriggers Deployed

INSTALLATION OF SPACER KIT

The GB2000 and GB4000 GloBugs come standard with a universal mounting bracket, electrical control junction box, and hardware fasteners.

NOTICE

Spacers P/N 44999-001 are **separate** from the GloBug Universal Mounting Kit, but are essential for proper mounting when the GB2000 or GB4000 GloBugs are placed onto the LT6KV T-bar mast.

1. For assembly and mounting of the GloBug Universal Mounting Kit, please reference instructions outlined in the GloBug Operation and Parts manual.

NOTICE

DO NOT securely fasten J-box clamping brackets (2) as referenced in the Universal Mounting Kit Instructions. These two clamping brackets should be left loose in order to insert the support spacers (P/N 44999-001) as shown in Figure 5.

2. Insert spacers (P/N 44999-001) to fit between the clamping brackets and T-bar. **DO NOT** remove brackets. Reference Figure 5

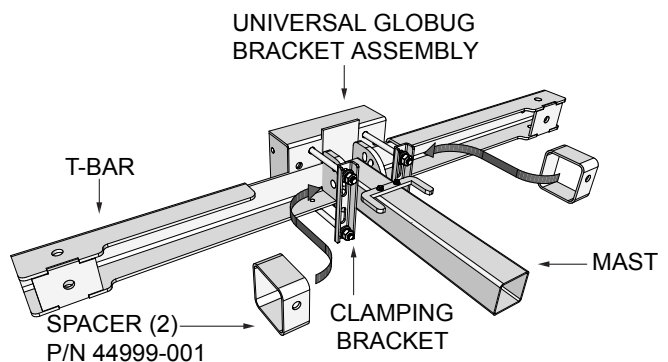


Figure 5. Clamping Brackets

3. Secure spacers to clamping brackets (Figure 6) using 1/4-20 nyloc nut (P/N 10024), 1/4-20 x 7/8 HHC bolt (P/N 2295), and 1/4 flat washers (P/N 933240). Tighten nuts securely.

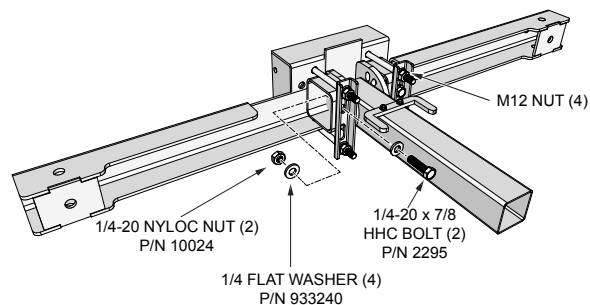


Figure 6. Attach Spacers

4. To complete installation, securely tighten the four clamping bracket M12 nuts as shown in Figure 6



LT6KV Light Tower with GB2000/GB4000 Bracket Assembly

GloBug Universal Bracket Assembly Spacer Kit Installation Instructions

HERE'S HOW TO GET HELP

PLEASE HAVE THE MODEL AND SERIAL
NUMBER ON-HAND WHEN CALLING

UNITED STATES

Multiquip Corporate Office

18910 Wilmington Ave. Tel. (800) 421-1244
Carson, CA 90746 Fax (310) 537-3927
Contact: mq@multiquip.com

Service Department

800-421-1244
310-537-3700

Technical Assistance

800-478-1244 Fax: 310-943-2238

MQ Parts Department

800-427-1244 Fax: 800-672-7877
310-537-3700

Warranty Department

800-421-1244 Fax: 310-943-2249
310-537-3700

CANADA

Multiquip

4110 Industriel Boul. Tel: (450) 625-2244
Laval, Quebec, Canada H7L 6V3 Tel: (877) 963-4411
Contact: infocanda@multiquip.com Fax: (450) 625-8664

UNITED KINGDOM

Multiquip (UK) Limited Head Office

Unit 2, Northpoint Industrial Estate, Tel: 0161 339 2223
Globe Lane, Fax: 0161 339 3226
Dukinfield, Cheshire SK16 4UJ
Contact: sales@multiquip.co.uk

© COPYRIGHT 2016, MULTIQUIP INC.

Multiquip Inc and the MQ logo are registered trademarks of Multiquip Inc. and may not be used, reproduced, or altered without written permission. All other trademarks are the property of their respective owners and used with permission.

The information and specifications included in this publication were in effect at the time of approval for printing. Illustrations, descriptions, references and technical data contained in this document are for guidance only and may not be considered as binding. Multiquip Inc. reserves the right to discontinue or change specifications, design or the information published in this publication at any time without notice and without incurring any obligations.

Your Local Dealer is:

