

PARTS MANUAL



MIX N' GO MODEL MC3PBAT MINI CONCRETE PLASTIC DRUM MIXER (BATTERY OPERATED)

Revision #1 (01/16/25)

To find the latest revision of this publication or associated operation manual, visit our website at: www.multiquip.com



THIS MANUAL MUST ACCOMPANY THE EQUIPMENT AT ALL TIMES.

TABLE OF CONTENTS

Multiquip Mix N' Go Portable Concrete Mixer

Explanation Of Code In Remarks Column..... 4
Suggested Spare Parts 5

Component Drawings

Nameplate And Decals Assembly..... 6-7
Frame And Mixing Tub Assembly 8-9
Battery Assembly 10-11
Electric Motor Assembly 12-13
Gearbox Assembly 14-15
Control Box Assembly 16-17
Stand Assembly (Optional)..... 18-19

NOTICE
Specifications and part numbers are subject to change without notice.

EXPLANATION OF CODE IN REMARKS COLUMN

The following section explains the different symbols and remarks used in the Parts section of this manual. Use the help numbers found on the back page of the manual if there are any questions.

NOTICE

The contents and part numbers listed in the parts section are subject to change without notice. Multiquip does not guarantee the availability of the parts listed.

SAMPLE PARTS LIST

NO.	PART NO.	PART NAME	QTY.	REMARKS
1	12345	BOLT	1	INCLUDES ITEMS W/%
2%		WASHER, 1/4 IN.		NOT SOLD SEPARATELY
2%	12347	WASHER, 3/8 IN. ...	1	MQ-45T ONLY
3	12348	HOSE	A/R	MAKE LOCALLY
4	12349	BEARING	1	S/N 2345B AND ABOVE

NO. Column

Unique Symbols — All items with same unique symbol (@, #, +, %, or >) in the number column belong to the same assembly or kit, which is indicated by a note in the “Remarks” column.

Duplicate Item Numbers — Duplicate numbers indicate multiple part numbers, which are in effect for the same general item, such as different size saw blade guards in use or a part that has been updated on newer versions of the same machine.

NOTICE

When ordering a part that has more than one item number listed, check the remarks column for help in determining the proper part to order.

PART NO. Column

Numbers Used — Part numbers can be indicated by a number, a blank entry, or TBD.

TBD (To Be Determined) is generally used to show a part that has not been assigned a formal part number at the time of publication.

A blank entry generally indicates that the item is not sold separately or is not sold by Multiquip. Other entries will be clarified in the “Remarks” Column.

QTY. Column

Numbers Used — Item quantity can be indicated by a number, a blank entry, or A/R.

A/R (As Required) is generally used for hoses or other parts that are sold in bulk and cut to length.

A blank entry generally indicates that the item is not sold separately. Other entries will be clarified in the “Remarks” Column.

REMARKS Column

Some of the most common notes found in the “Remarks” Column are listed below. Other additional notes needed to describe the item can also be shown.

Assembly/Kit — All items on the parts list with the same unique symbol will be included when this item is purchased.

Indicated by:

“INCLUDES ITEMS W/(unique symbol)”

Serial Number Break — Used to list an effective serial number range where a particular part is used.

Indicated by:

“S/N XXXXX AND BELOW”

“S/N XXXX AND ABOVE”

“S/N XXXX TO S/N XXX”

Specific Model Number Use — Indicates that the part is used only with the specific model number or model number variant listed. It can also be used to show a part is NOT used on a specific model or model number variant.

Indicated by:

“XXXXX ONLY”

“NOT USED ON XXXX”

“Make/Obtain Locally” — Indicates that the part can be purchased at any hardware shop or made out of available items. Examples include battery cables, shims, and certain washers and nuts.

“Not Sold Separately” — Indicates that an item cannot be purchased as a separate item and is either part of an assembly/kit that can be purchased, or is not available for sale through Multiquip.

SUGGESTED SPARE PARTS

MIX N' GO MIXER MC3PBAT

1 to 3 units


Qty.	P/N	Description
2.....	BM1840	COG BELT
1.....	BM2201	LITHIUM-ION BATTERY 48V-30Ah
1.....	BM3000	KEYS
2.....	BM1821	MOTOR PULLEY
2.....	BM1811	GEAR PULLEY

NOTICE

Part numbers on this Suggested Spare Parts list may supersede/replace the part numbers shown in the following parts lists.

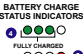
NAMEPLATE AND DECALS ASSY.

1



BATTERY CHECK

BATTERY CHARGE STATUS INDICATORS

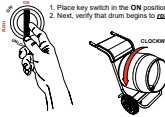


RECHARGE

- Unplug power cord from controller that connects to battery.
- Place key switch in OFF position.
- Next, press battery power ON button.
- Verify battery status.
- If RED battery status indicator is lit, recharge battery. Reconnect controller power cord to battery.

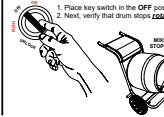
STARTING MIXER

- Place key switch in the ON position.
- Next, verify that drum begins to rotate.



STOPPING MIXER

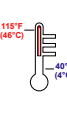
- Place key switch in the OFF position.
- Next, verify that drum stops rotating.




PROTECTION



CLIMATE



MAINTENANCE



Replace gearbox oil every 6 months. Refill with:

SAE 80W-90, API GL-5
3.7-4.8 oz.
(110-120 ml)

Check drive belt once a year.

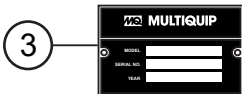
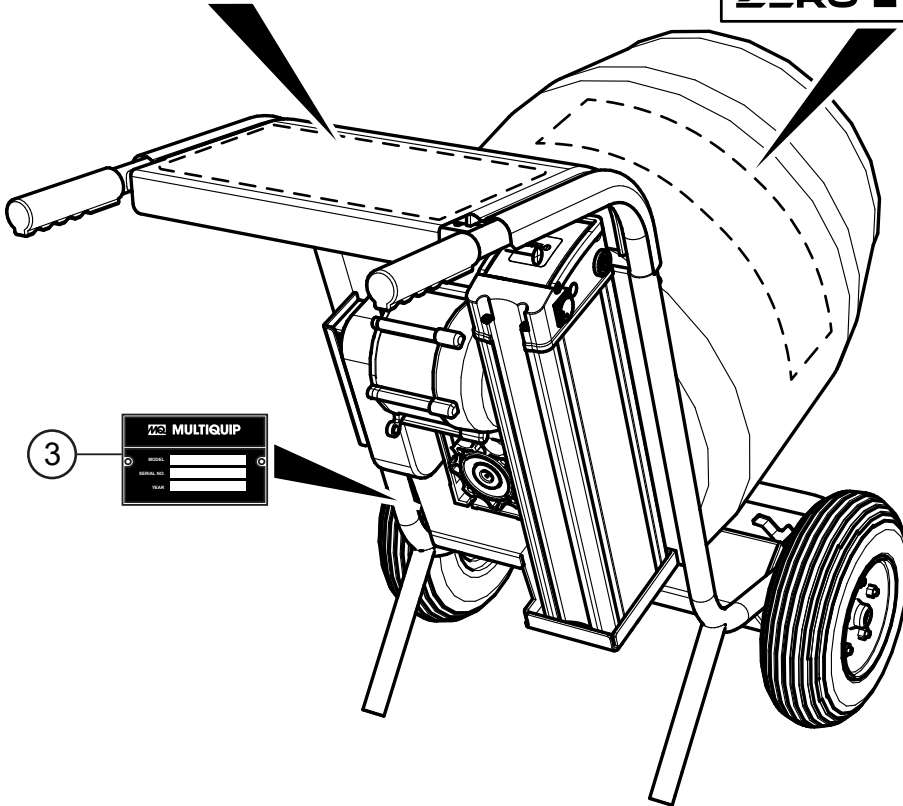
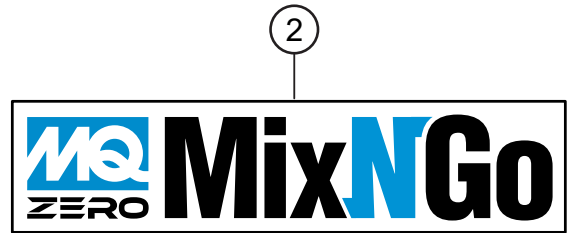
READ MANUAL



WARNING
DANGER & REPRODUCTIVE HAZARD
www.mhproducts.com

WARNING
To avoid injury you **MUST** read and understand operator's manual before using this machine. This machine is to be operated by qualified personnel only. Ask for training as needed.

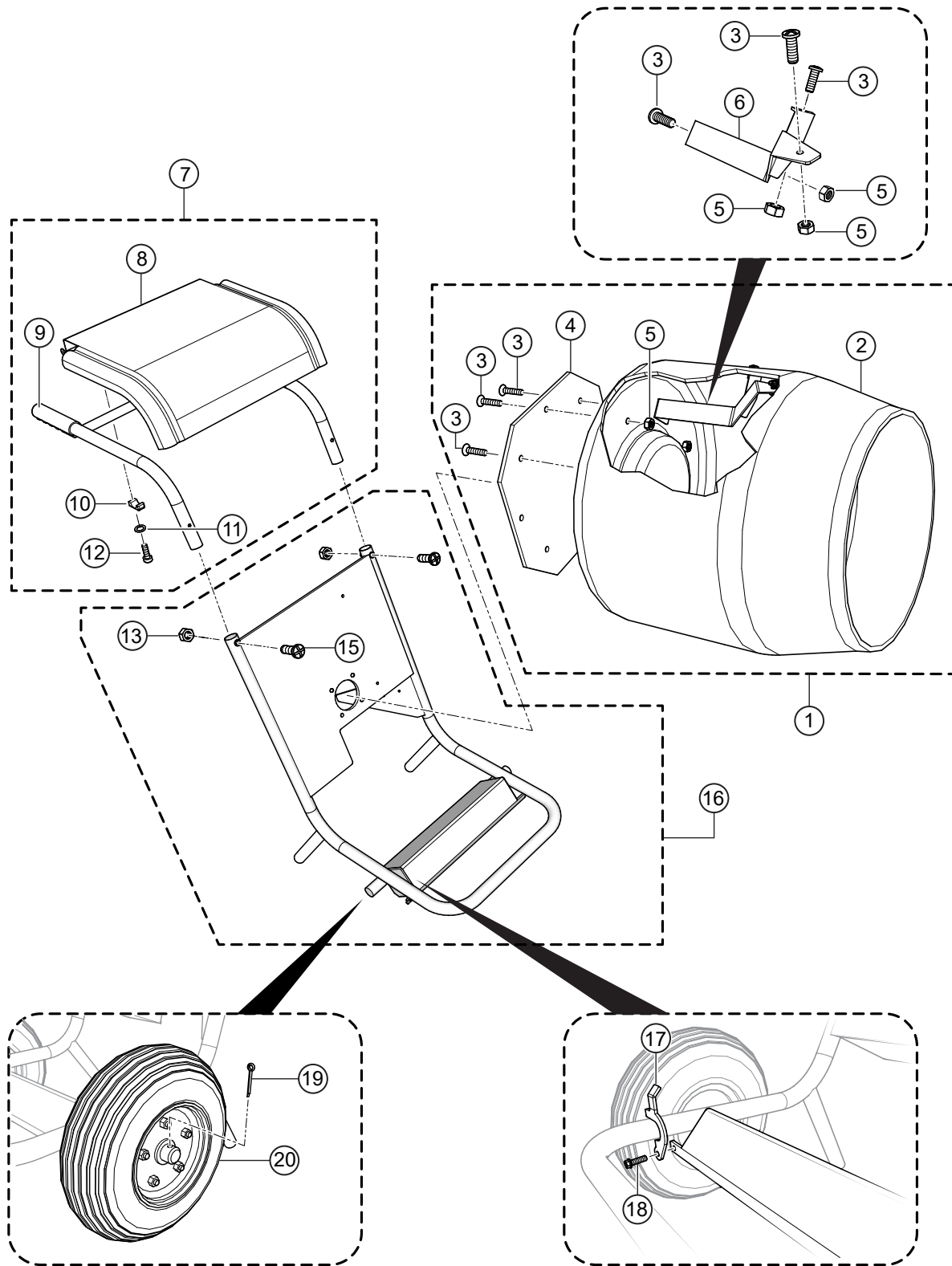
©CLS/IBAT



NAMEPLATE AND DECALS ASSY.

<u>NO.</u>	<u>PART NO.</u>	<u>PART NAME</u>	<u>QTY.</u>	<u>REMARKS</u>
1	DCL251BAT	DECAL, MIX N' GO BAT., COVER 14" X 9.25"	1	
2	DCL252BAT	DECAL, MIX N' GO BAT., DRUM 15" X 3"	1	
3		DECAL, NAME PLATE	1	CONTACT MQ PARTS DEPT.

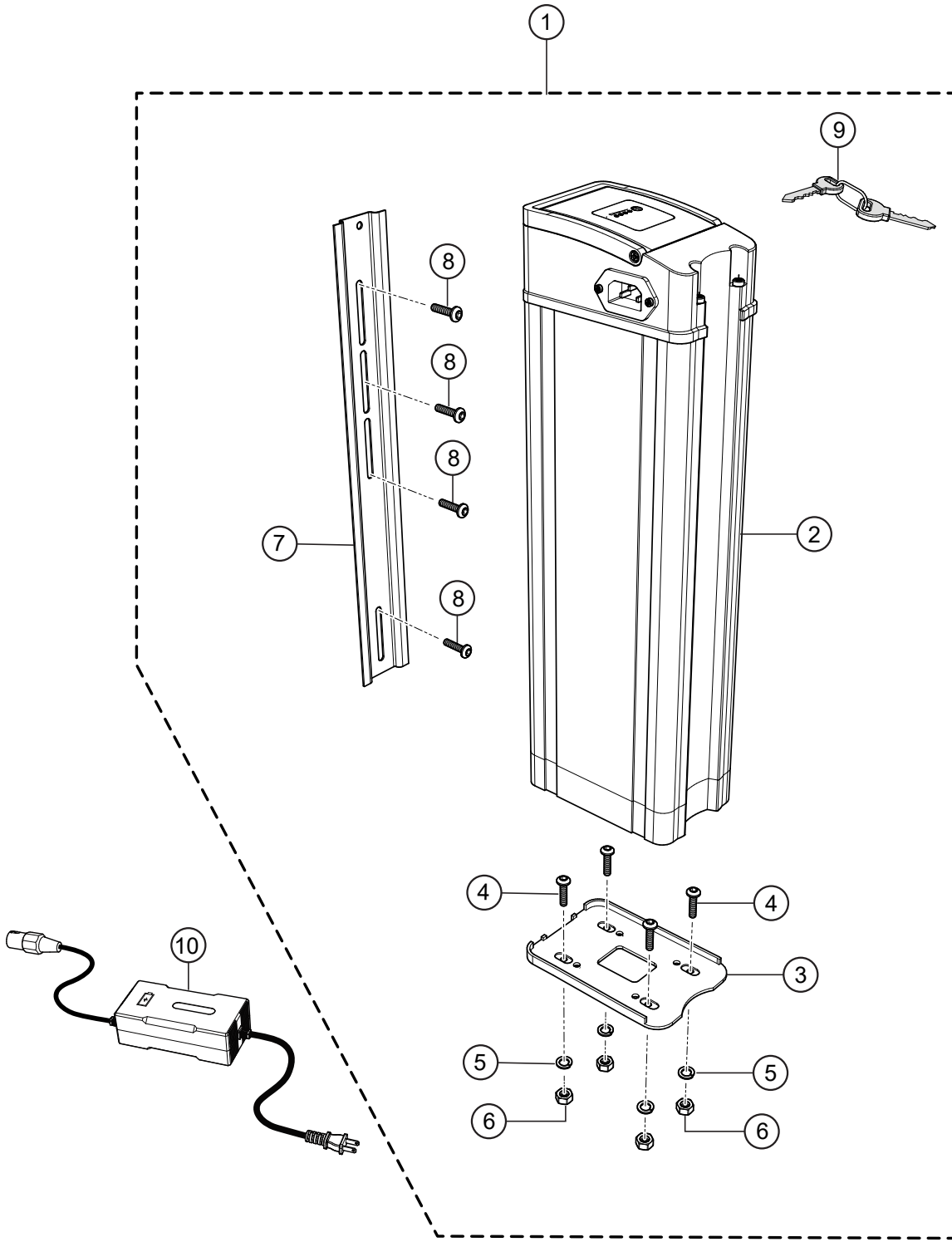
FRAME AND MIXING TUB ASSY.



FRAME AND MIXING TUB ASSY.

<u>NO.</u>	<u>PART NO.</u>	<u>PART NAME</u>	<u>QTY.</u>	<u>REMARKS</u>
1	DM1500	PLASTIC DRUM ASSEMBLY	1.....	INCLUDES ITEMS W/\$
2\$	DM1510	PLASTIC DRUM	1	
3\$	DM1524	DRUM BOLT, RECESSED RND HD M10 25L	6	
4\$	DM1520	MOUNTING PLATE ASSEMBLY	1.....	INCLUDES ITEMS W/%
4A%	DM1521	MOUNTING PLATE	1	
4B%	DM1522	MOUNTING SHAFT	1	
4C%	DM1523	MOUNTING RIB	4	
4D	DM1524	DRUM BOLT, RECESSED RND HD M10 25L	6	
5%	DM1527	NUT, HEX M10	6	
6	DM1531	BLADE, STEEL	1	
7	DM1600	HANDLE ASSEMBLY.....	1.....	INCLUDES ITEMS W/@
8@	DM1620	HANDLE COVER, PLASTIC	1	
9@	DM1613	HANDLE GRIP, RUBBER	2	
10@	DM1630	HANDLE COVER, FIXER	2	
11@	DM1631B	WASHER, LOCK M6	2	
12@	DM1631A	SCREW, TAPPING M5 25L	2	
13#	DM1641	NUT, HEX FLANGE M8	2	
15#	DM1640	BOLT, FIX HANDLE M8 50L	2	
16	BM1100	BASE ASSEMBLY	1.....	INCLUDES ITEMS W/#
17	DM1141	LOCKER	1	
18	BM1911	BOLT, HEX SOCKET HEAD M8 35L	2	
19	EM924028	COTTER PIN 3/32 X 1	2	
20	DM1710	PNEUMATIC TIRE, 11"	2	

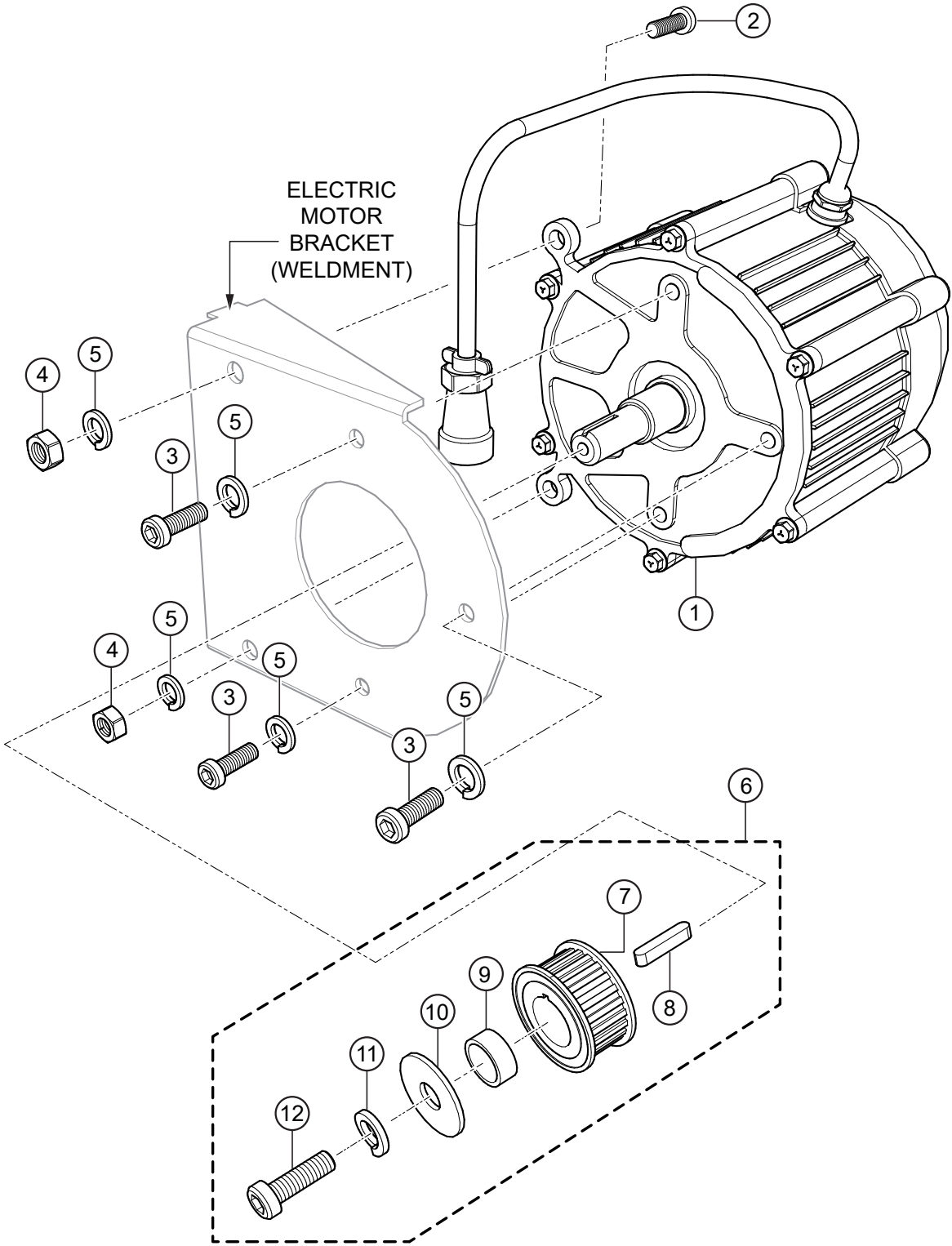
BATTERY ASSY.



BATTERY ASSY.

<u>NO.</u>	<u>PART NO.</u>	<u>PART NAME</u>	<u>QTY.</u>	<u>REMARKS</u>
1	BM2200	BATTERY, SN-13S6P	1.....	INCLUDES ITEMS W/%
2%		LITHIUM-ION BATTERY 48V-10Ah.....	1.....	NOT SOLD SEPARATELY
3%	BM2202	BOTTOM PLATE	1	
4%	BM2203	BOLT, HEX SOCKET RND HD M5, 12L	4	
5%	BM2204	WASHER, LOCK M6	4	
6%	BM2205	NUT, HEX M6	4	
7%	BM2206	GUIDE RAIL 4T 437L	1	
8%	BM2207	BOLT, HEX SOCKET RND HD M5	4	
9%	BM3000	KEYS	2	
10	BM2300	BATTERY CHARGER, 54.6V-5Ah	1	

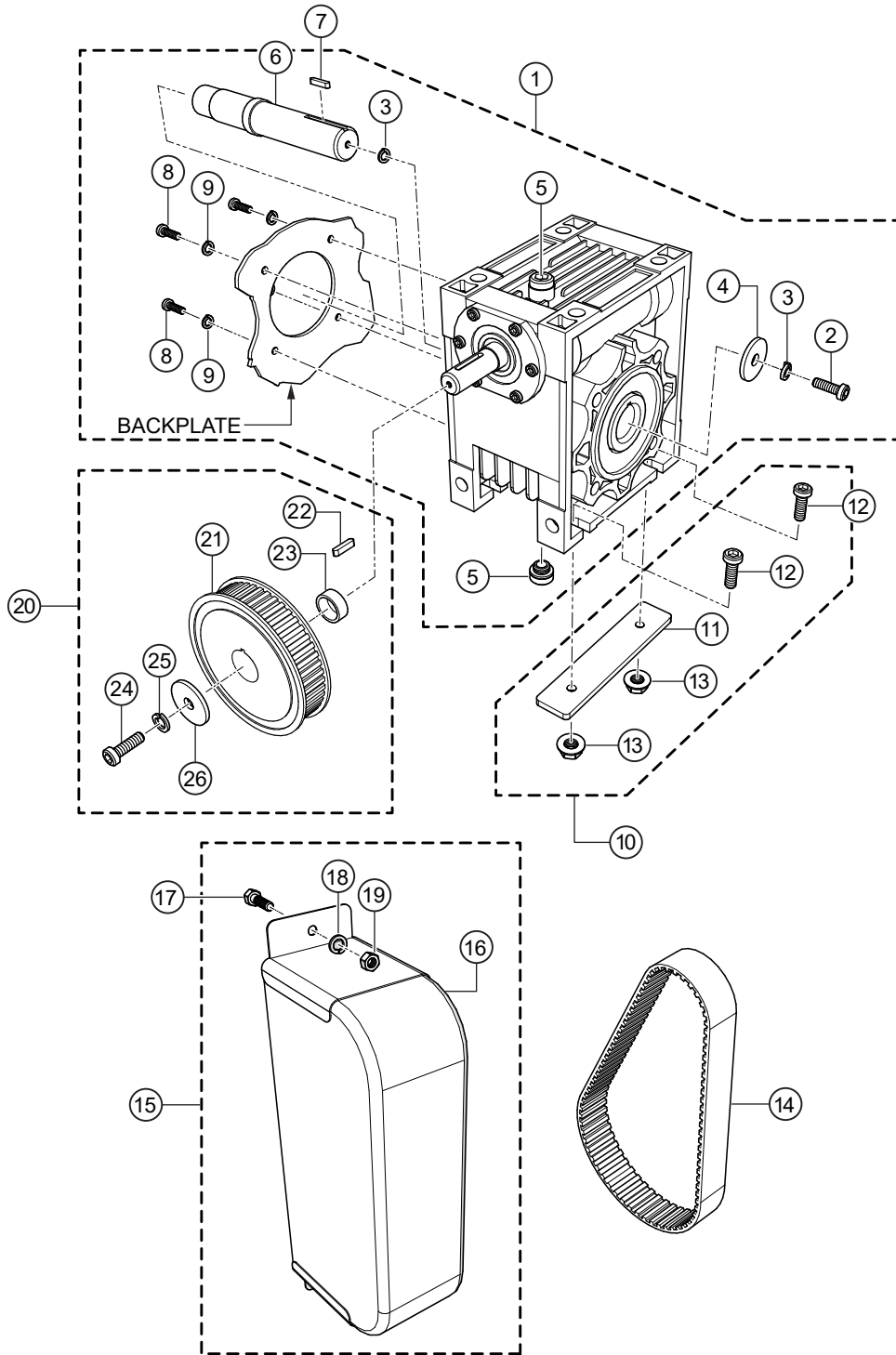
ELECTRIC MOTOR ASSY.



ELECTRIC MOTOR ASSY.

<u>NO.</u>	<u>PART NO.</u>	<u>PART NAME</u>	<u>QTY.</u>	<u>REMARKS</u>
1	BM2001	MOTOR, 48V-500W-3200 RPM	1	
2	BM2003	BOLT, HEX SOCKET HD, M6 25L	2	
3	BM2002	BOLT, HEX SOCKET HD, M6 12L	3	
4	BM2005	NUT, HEX M6	2	
5	BM2004	WASHER, LOCK M6	5	
6	BM1820	MOTOR PULLEY ASSY.	1	INCLUDES ITEMS W/%
7%	BM1821	MOTOR PULLEY	1	
8%	BM1822	SQUARE KEY	1	
9%	BM1823	BUSHING ϕ 20, MOTOR PULLEY	1	
10%	BM1824	WASHER, FLAT ϕ 18, MOTOR PULLEY	1	
11%	BM1825	WASHER, LOCK M5, MOTOR PULLEY	1	
12%	BM1826	BOLT, HEX SOCKET RND HD M5 12L	1	

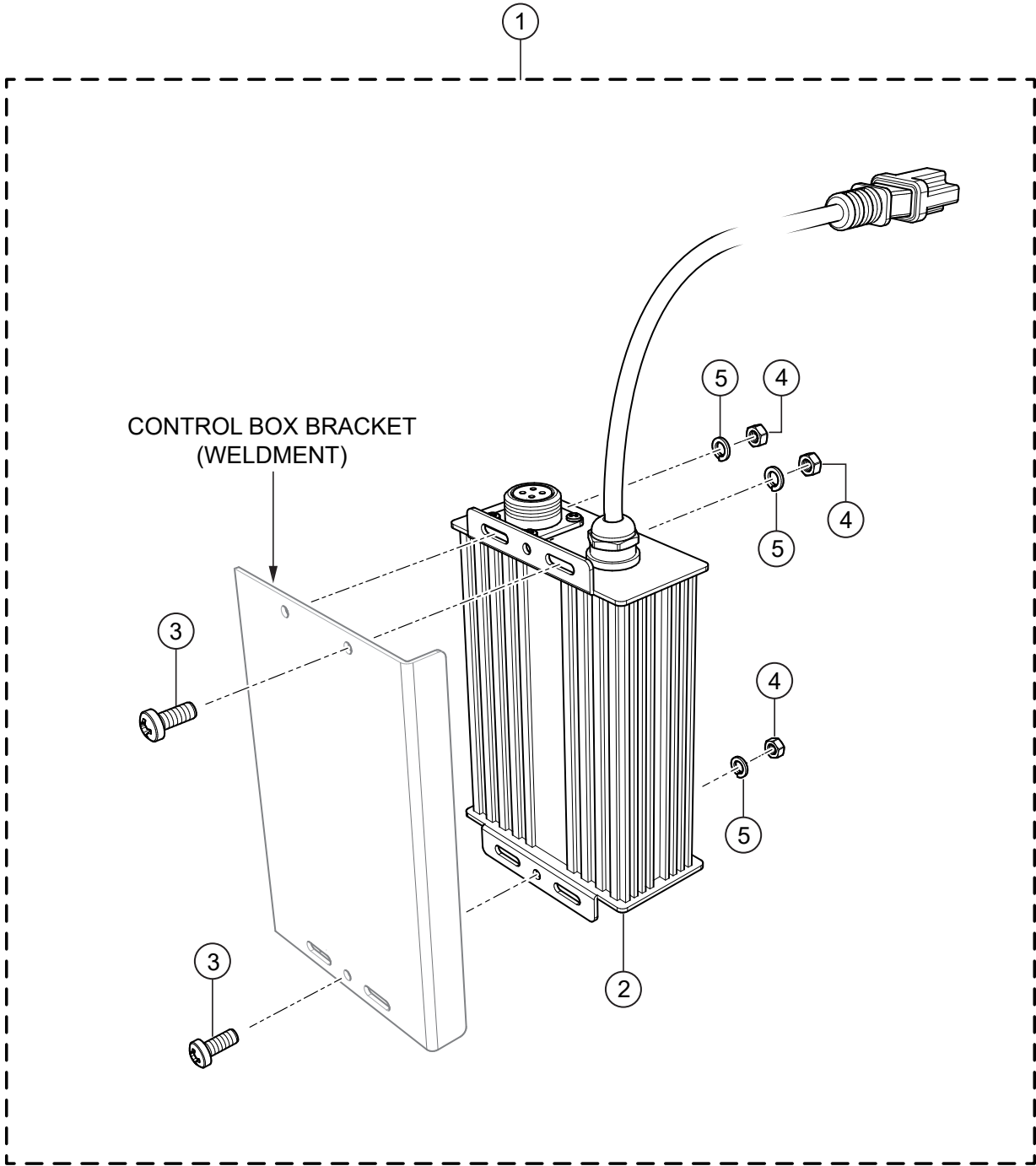
GEARBOX ASSY.



GEARBOX ASSY.

<u>NO.</u>	<u>PART NO.</u>	<u>PART NAME</u>	<u>QTY.</u>	<u>REMARKS</u>
1	BM1300	GEAR BOX ASSEMBLY	1.....	INCLUDES ITEMS W/#
2#	BM1355	BOLT, HEX SOCKET RND HD M8 20L	1	
3#	BM1354	WASHER, LOCK M8	1	
4#	BM1353	WASHER, FLAT ϕ 37	1	
5#	BM1330	ALLEN HEAD PLUG, 5MM	2	
6#	BM1351	DRUM SHAFT ϕ 28 172L	1	
7#	BM1352	SQUARE KEY	1	
8#	BM1356	BOLT, HEX SOCKET RND HD M8 15L	4	
9#	BM1357	WASHER, LOCK M8	4	
10	BM1900	MOUNTING BRACKET ASSEMBLY	1.....	INCLUDES ITEMS W/\$
11\$	BM1910	MOUNTING BRACKET	1	
12\$	BM1911	BOLT, HEX SOCKET HD M8 35L	2	
13\$	BM1912	NUT, HEX FLANGE M8	2	
14	BM1840	COG BELT	1	
15	BM1830	PULLEY COVER ASSEMBLY.....	1.....	INCLUDES ITEMS W/%
16%	BM1831	PULLEY COVER	1	
17%	BM1832	BOLT, CROSS RECESSED M6 15L	2	
18%	BM1833	WASHER, LOCK M6	2	
19%	BM1834	NUT, HEX M6	1	
20	BM1810	GEAR PULLEY ASSEMBLY	1.....	INCLUDES ITEMS W/@
21@	BM1811	GEAR PULLEY	1	
22@	BM1812	SQUARE KEY	1	
23@	BM1813	BUSH ϕ 20	1	
24@	BM1816	BOLT, HEX SOCKET RND HD M6 15L	1	
25@	BM1815	WASHER, LOCK M6	1	
26@	BM1814	WASHER, FLAT ϕ 18	1	

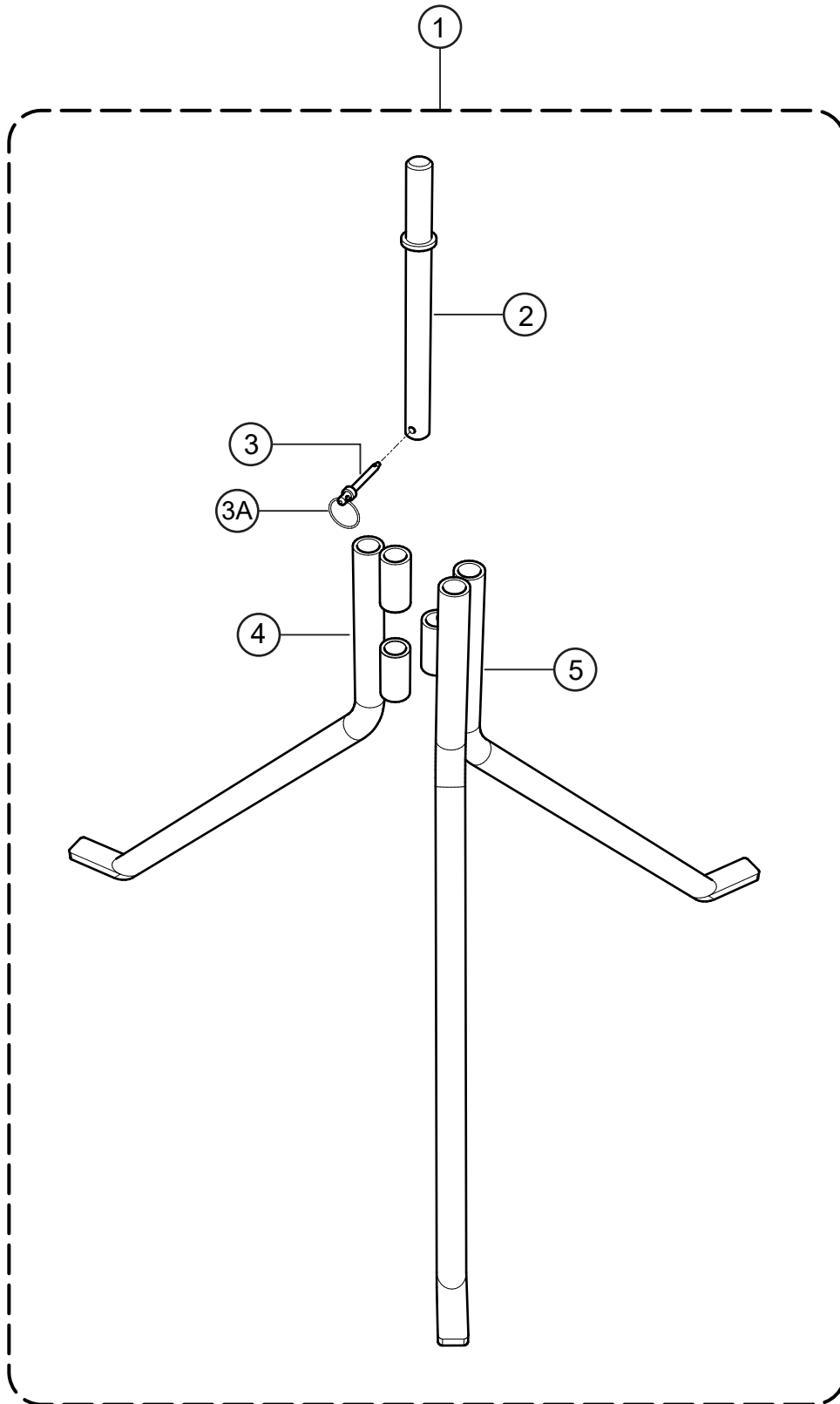
CONTROL BOX ASSY.



CONTROL BOX ASSY.

<u>NO.</u>	<u>PART NO.</u>	<u>PART NAME</u>	<u>QTY.</u>	<u>REMARKS</u>
1	BM2100	CONTROLLER ASSEMBLY.....	1.....	INCLUDES ITEMS W/\$
2\$	BM2101	CONTROLLER, 48V, 30 AMP, 500W	1	
3\$	BM2102	BOLT, CROSS RECESSED M6 15L	2	
4\$	BM2104	NUT, HEX M6	2	
5\$	BM2103	WASHER, LOCK M6	2	

STAND ASSY. (OPTIONAL)



STAND ASSY. (OPTIONAL)

<u>NO.</u>	<u>PART NO.</u>	<u>PART NAME</u>	<u>QTY.</u>	<u>REMARKS</u>
1	DM1200	STAND PIPE ASSEMBLY	1.....	INCLUDES ITEMS W/#
2#	DM1221	JOINT PIPE (MALE)	1	
3#	DM1231	LOCKER, PIN	1	
3A#	DM1232	LOCKER, RING	1	
4#	DM1212	JOINT, FEMALE	2	
5#	DM1213	JOINT, MALE	1	

PARTS MANUAL

HERE'S HOW TO GET HELP

PLEASE HAVE THE MODEL AND SERIAL
NUMBER ON-HAND WHEN CALLING

UNITED STATES

Multiquip Inc.

(310) 537- 3700
6141 Katella Avenue Suite 200
Cypress, CA 90630
E-MAIL: mq@multiquip.com
WEBSITE: www.multiquip.com

CANADA

Multiquip

(450) 625-2244
4110 Industriel Boul.
Laval, Quebec, Canada H7L 6V3
E-MAIL: infocanada@multiquip.com

UNITED KINGDOM

Multiquip (UK) Limited Head Office

0161 339 2223
Unit 2, Northpoint Industrial Estate, Globe Lane,
Dukinfield, Cheshire SK16 4UJ
E-MAIL: sales@multiquip.co.uk

© COPYRIGHT 2024, MULTIQUIP INC.

Multiquip Inc, the MQ logo are registered trademarks of Multiquip Inc. and may not be used, reproduced, or altered without written permission. All other trademarks are the property of their respective owners and used with permission.

This manual MUST accompany the equipment at all times. This manual is considered a permanent part of the equipment and should remain with the unit if resold.

The information and specifications included in this publication were in effect at the time of approval for printing. Illustrations, descriptions, references and technical data contained in this manual are for guidance only and may not be considered as binding. Multiquip Inc. reserves the right to discontinue or change specifications, design or the information published in this publication at any time without notice and without incurring any obligations.

