

MKITJB

Maintenance Kit for MQ Whiteman Walk-Behind Trowels

J and B Series

(Excludes J3036H55)

The MKITJB Maintenance Package provides 600 hours of walk-behind usage, dependant on operating conditions. The kit includes:

	Replacement parts	Part Number	Qty.	Service schedule
A	Thrust collar bushing	1471	1	600 hrs or two years
B	Trowel arm bushings	1157A	4	600 hrs or two years
C	Gearbox replacement oil	20111	1	600 hrs or two years
D	Thrust bearing	12778	1	600 hrs or two years
E	Thrust collar wear plate	1154A	1	600 hrs or two years

Always have an extra Maintenance Service Kit on hand. Reorder by calling Multiquip's Parts Department at 800-427-1244, or visit www.multiquip.com.





Check level here

Gearbox Lubrication Replacement

Check oil level daily prior to operating the unit.

If needed add SHC 634 synthetic gear lube (MQ #20111).


C — 20111 — Gearbox replacement oil

© COPYRIGHT 2022 MULTIQUIP INC. REV 1 (041122)

Thrust System Replacement Parts



A — 1471 — Thrust collar bushing



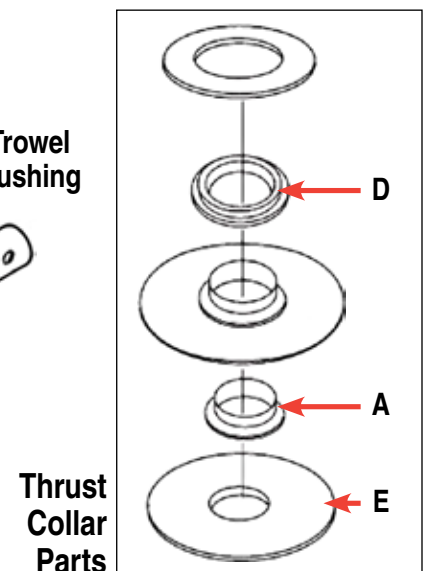
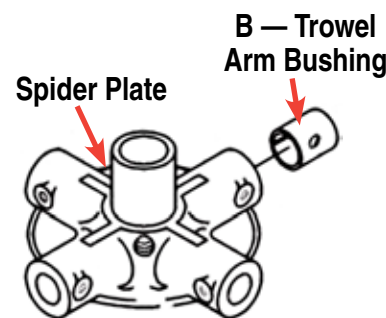
E — 1154A — Thrust collar wear plate



D — 12778 — Thrust bearing



B — 1157B — Trowel Arm Bushing



World class products.
World class support.

Visit multiquip.com or call 800-427-1244 today.

