

PARTS MANUAL



MP2 SERIES
MODELS: MP25E1,
MP25E3, MP2H
MASONRY SAWS
(5 HP 1Ø ELECTRIC MOTOR)
(5 HP 3Ø ELECTRIC MOTOR)
(8.5 HP HONDA GASOLINE ENGINE)

Revision #3 (10/03/19)

To find the latest revision of this publication or
associated operation manual, visit our website at:

www.multiquip.com



P/N: 38269

TABLE OF CONTENTS

MP2 MASONRY SAW

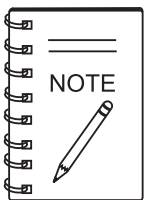
| | |
|---------------------------------------|---|
| Table Of Contents | 3 |
| Explanation of Codes in Remarks | 4 |
| Suggested Spare Parts | 5 |

COMPONENT DRAWINGS

| | |
|--|-------|
| Nameplate and Decals | 6-7 |
| Tray Assembly | 8-9 |
| Cart Assembly | 10-11 |
| Motor Plate and Blade Guard Assembly | 12-13 |
| Electric Motor Assembly | 14-15 |
| Water Pump Assembly (Electric Motors Only) | 16-17 |
| Gasoline Engine Mount Assy. | 18-19 |
| Gasoline Engine Jackshaft Assy. | 20-21 |
| Gasoline Engine Covers Assy. | 22-23 |
| Water Pump Assembly (Gasoline Engines Only) .. | 24-25 |
| Step Pedal Assembly | 26-27 |

HONDA GX270QWH2 GASOLINE ENGINE

| | |
|--------------------------------------|-------|
| Air Cleaner (Cyclone) Assembly | 28-29 |
| Camshaft Assembly | 30-31 |
| Carburetor Assembly | 32-33 |
| Control Assembly | 34-35 |
| Crankcase Cover Assembly | 36-37 |
| Crankshaft Assembly | 38-39 |
| Cylinder Barrel Assembly | 40-41 |
| Cylinder Head Assembly | 42-43 |
| Fan Cover Assembly | 44-45 |
| Flywheel Assembly | 46-47 |
| Fuel Tank Assembly | 48-49 |
| Ignition Coil Assembly | 50-51 |
| Labels Assembly | 52-53 |
| Muffler Assembly | 54-55 |
| Piston Assembly | 56-57 |
| Recoil Starter Assembly | 58-59 |



Specification and part number are subject to change without notice.

EXPLANATION OF CODE IN REMARKS COLUMN

The following section explains the different symbols and remarks used in the Parts section of this manual. Use the help numbers found on the back page of the manual if there are any questions.

NOTICE

The contents and part numbers listed in the parts section are subject to change **without notice**. Multiquip does not guarantee the availability of the parts listed.

SAMPLE PARTS LIST

| NO. | PART NO. | PART NAME | QTY. | REMARKS |
|-----|----------|---------------------|------|---------------------|
| 1 | 12345 | BOLT..... | 1 | INCLUDES ITEMS W/% |
| 2% | | WASHER, 1/4 IN..... | | NOT SOLD SEPARATELY |
| 2% | 12347 | WASHER, 3/8 IN.... | 1 | MQ-45T ONLY |
| 3 | 12348 | HOSE | A/R | MAKE LOCALLY |
| 4 | 12349 | BEARING | 1 | S/N 2345B AND ABOVE |

NO. Column

Unique Symbols — All items with same unique symbol

(@, #, +, %, or >) in the number column belong to the same assembly or kit, which is indicated by a note in the “Remarks” column.

Duplicate Item Numbers — Duplicate numbers indicate multiple part numbers, which are in effect for the same general item, such as different size saw blade guards in use or a part that has been updated on newer versions of the same machine.

NOTICE

When ordering a part that has more than one item number listed, check the remarks column for help in determining the proper part to order.

PART NO. Column

Numbers Used — Part numbers can be indicated by a number, a blank entry, or TBD.

TBD (To Be Determined) is generally used to show a part that has not been assigned a formal part number at the time of publication.

A blank entry generally indicates that the item is not sold separately or is not sold by Multiquip. Other entries will be clarified in the “Remarks” Column.

QTY. Column

Numbers Used — Item quantity can be indicated by a number, a blank entry, or A/R.

A/R (As Required) is generally used for hoses or other parts that are sold in bulk and cut to length.

A blank entry generally indicates that the item is not sold separately. Other entries will be clarified in the “Remarks” Column.

REMARKS Column

Some of the most common notes found in the “Remarks” Column are listed below. Other additional notes needed to describe the item can also be shown.

Assembly/Kit — All items on the parts list with the same unique symbol will be included when this item is purchased.

Indicated by:

“INCLUDES ITEMS W/(unique symbol)”

Serial Number Break — Used to list an effective serial number range where a particular part is used.

Indicated by:

“S/N XXXXX AND BELOW”

“S/N XXXX AND ABOVE”

“S/N XXXX TO S/N XXX”

Specific Model Number Use — Indicates that the part is used only with the specific model number or model number variant listed. It can also be used to show a part is NOT used on a specific model or model number variant.

Indicated by:

“XXXXX ONLY”

“NOT USED ON XXXX”

“Make/Obtain Locally” — Indicates that the part can be purchased at any hardware shop or made out of available items. Examples include battery cables, shims, and certain washers and nuts.

“Not Sold Separately” — Indicates that an item cannot be purchased as a separate item and is either part of an assembly/kit that can be purchased, or is not available for sale through Multiquip.

SUGGESTED SPARE PARTS

MP2 SERIES SAW 1 TO 3 UNITS Electric Motor Models

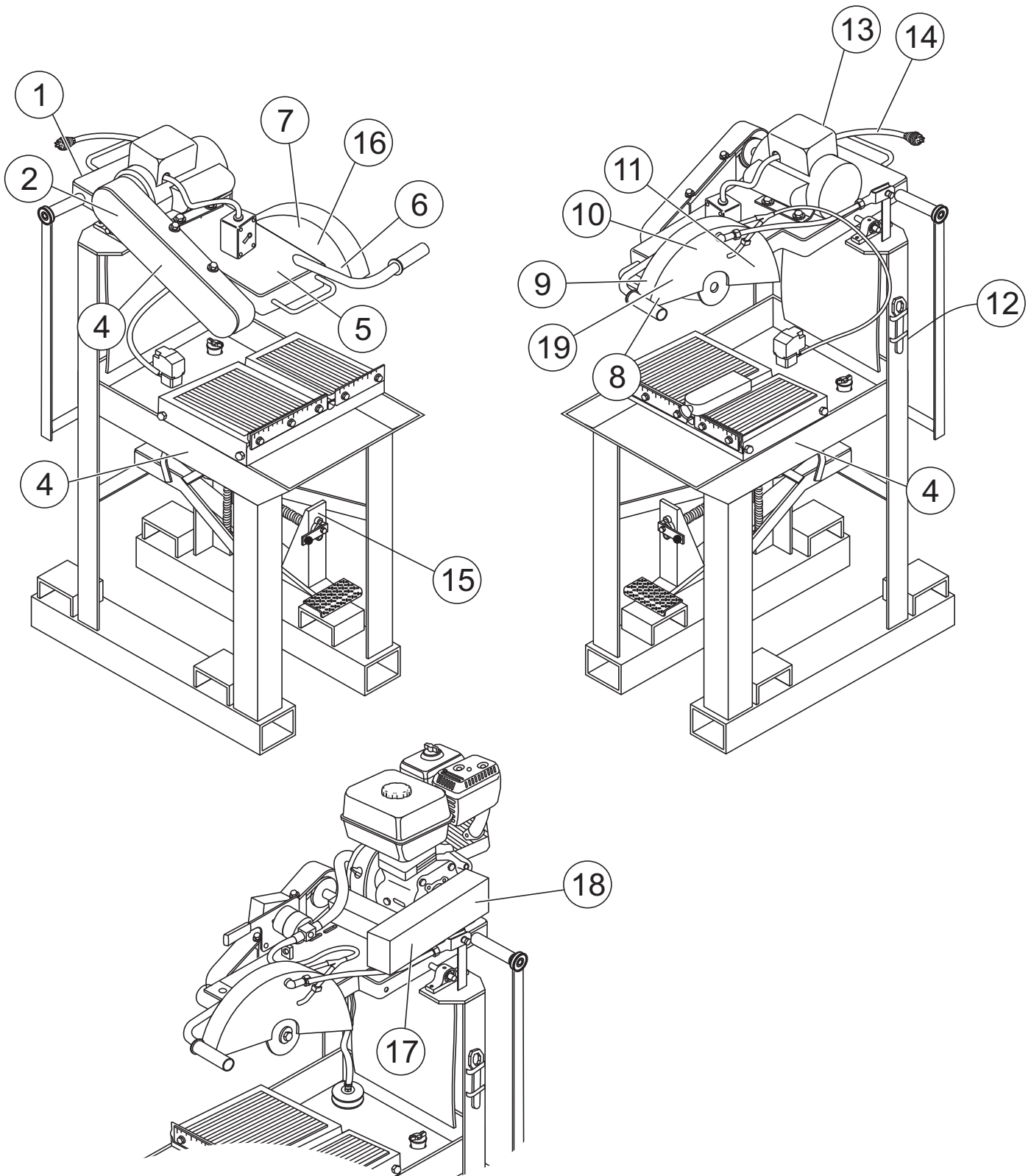
| Qty. | P/N | Description |
|-------|-----------|------------------------------|
| 2 | 20478 | KNOB, COMFORT GRIP |
| 1 | 23783-001 | WRENCH, HEX 3/4 |
| 4 | 21004-005 | V-BELT, ELECTRIC MOTOR AX-48 |
| 1 | 23843-001 | WATER PUMP, ELECTRIC MOTOR |
| 4 FT. | 23867-006 | VINYL WATER TUBING |
| 1 | 27036-501 | CONVEYOR CART ASSY. |
| 2 | 23830-001 | BLADE SHAFT BEARING |
| 2 | 8136 | BLADE SCREW |
| 2 | 5054 A | WASHER, LOCK |
| 2 | 23832-001 | OUTER BLADE FLANGE |
| 2 | 23833-001 | INNER BLADE FLANGE |
| 2 | 18637-001 | HANDLE LOCK |

MP2 SERIES SAW 1 TO 3 UNITS Gasoline Engine Model

| Qty. | P/N | Description |
|------|-------------|---------------------------|
| 2 | 20478 | HANDLE GRIP |
| 2 | 23830-001 | BLADE SHAFT BEARING |
| 2 | 8136 | BLADE SCREW |
| 2 | 5054 A | WASHER, LOCK |
| 1 | 23783-001 | WRENCH, HEX 3/4 |
| 4 | 16779-012 | V-BELT, DRIVE, 3VX250 |
| 4 | 16779-004 | V-BELT, JACK SHAFT 3VX375 |
| 1 | 25685-001 | STRAINER |
| 1 | 27036-501 | CONVEYOR CART ASSY. |
| 2 | 23833-001 | OUTER BLADE FLANGE |
| 2 | 23846-001 | INNER BLADE FLANGE |
| 2 | 18637-001 | KNOB, LOCK |
| 3 | 17210ZE1505 | ELEMENT, AIR CLEANER |
| 3 | 9807956846 | SPARK PLUG |
| 1 | 17620ZH7023 | CAP, FUEL FILLER |
| 1 | 28462ZE2W11 | ROPE, RECOIL STARTER |

NAME PLATE AND DECALS

NAMEPLATE AND DECALS



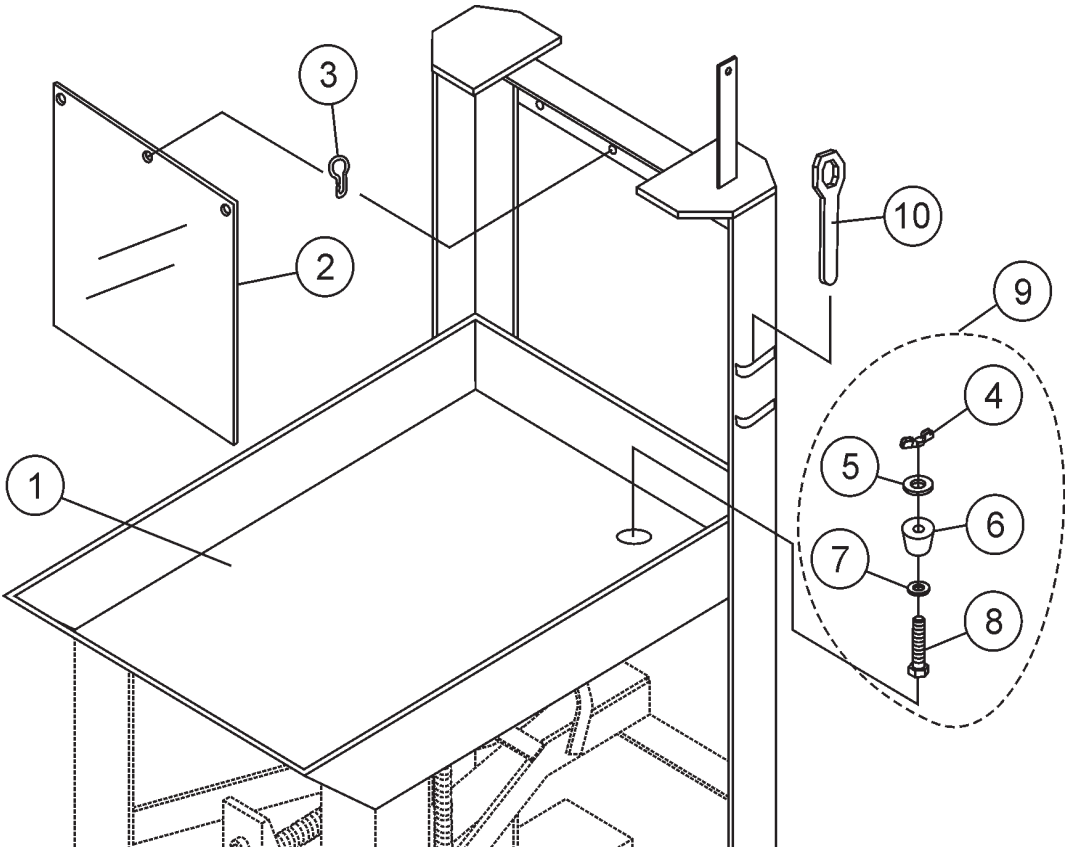
GASOLINE MODELS ONLY

NAME PLATE AND DECALS

NAMEPLATE AND DECALS

| <u>NO.</u> | <u>PART NO.</u> | <u>PART NAME</u> | <u>QTY.</u> | <u>REMARKS</u> |
|------------|-----------------|------------------------------------|-------------|----------------------|
| 1 | | PLATE, MODEL/SERIAL NUMBER | 1 | CONTACT PARTS DEPT. |
| 2 | 21302 | DECAL, BELT GUARD WARNING | 1 | |
| 4 | 38243 | DECAL, MP2 LOGO | 3 | |
| 5 | 15580 | DECAL, RESPIRATORY WARNING | 1 | |
| 6 | 35137 | DECAL, READ OPERATORS MANUAL | 1 | |
| 7 | 25491 | DECAL, CW ROTATION | 1 | |
| 8 | 25249-001 | DECAL, BLADE WARNING | 1 | |
| 9 | 22122-001 | DECAL, PREVENT SERIOUS INJURY | 1 | |
| 10 | 29730 | DECAL, US FLAG | 1 | |
| 11 | 38213 | DECAL, MULTIQIP 4 x 4 IN. | 1 | |
| 12 | 13118 | DECAL, POWDER COATED | 1 | |
| 13 | 25139-001 | DECAL, EXTENSION CORD SIZE | 1 | ELECTRIC MODELS ONLY |
| 14 | 25215-001 | DECAL, ELECTRIC CORD WARNING | 1 | ELECTRIC MODELS ONLY |
| 15 | 27082-001 | DECAL, CRANK HANDLE TURN DIRECTION | 1 | |
| 16 | 20525 | DECAL, PROP 65 | 1 | |
| 17 | 38239 | DECAL,MP2 LOGO | 1 | GASOLINE MODELS ONLY |
| 18 | 21302 | DECAL, BELT GUARD WARNING | 1 | GASOLINE MODELS ONLY |
| 19 | 35136 | DECAL, BLADE LOWER, CW | 1 | |

TRAY ASSY.

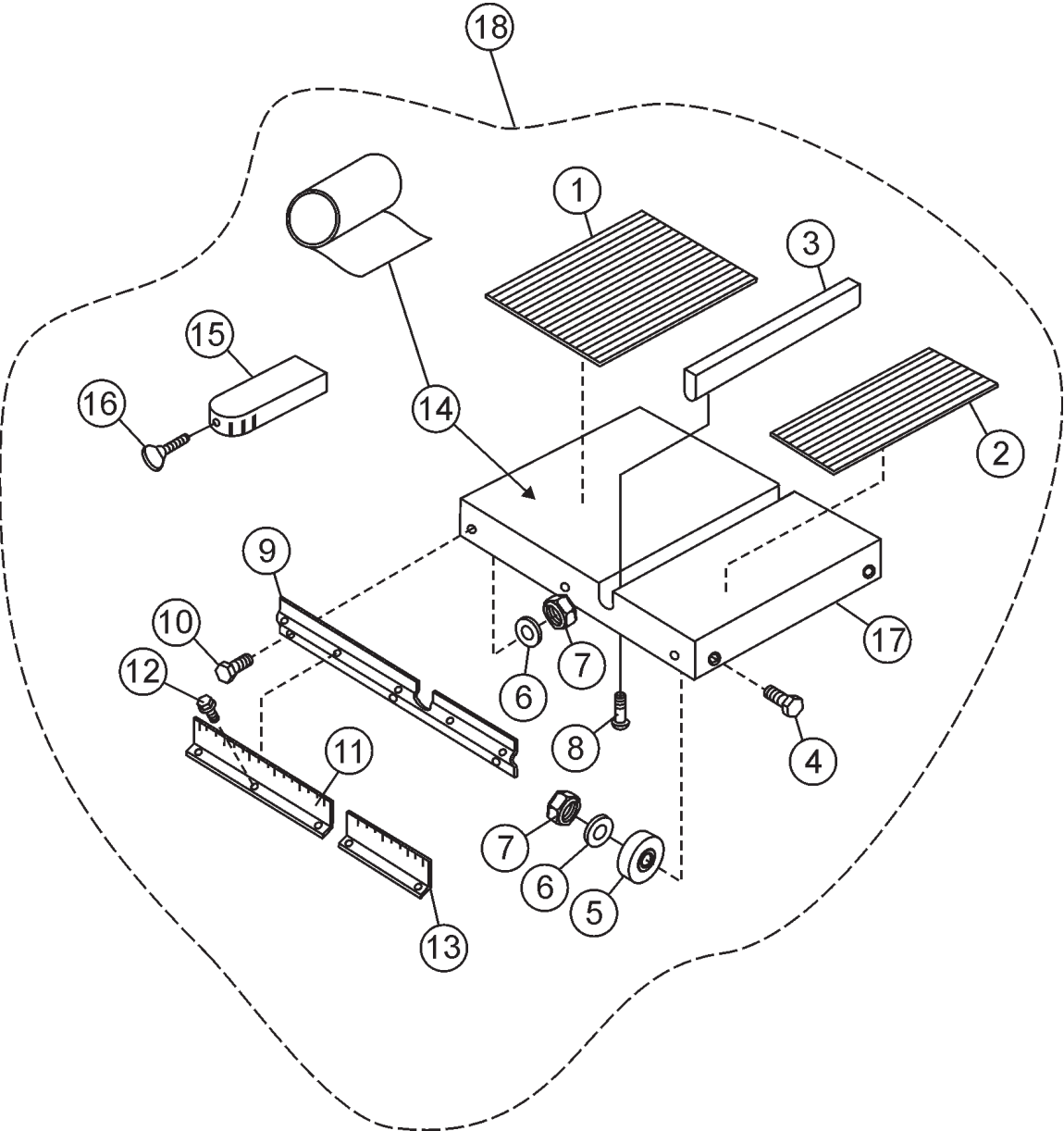


TRAY ASSY.

TRAY ASSY.

| <u>NO.</u> | <u>PART NO.</u> | <u>PART NAME</u> | <u>QTY.</u> | <u>REMARKS</u> |
|------------|-----------------|-----------------------------|-------------|--------------------|
| 1 | 26963-351 | FRAME | 1 | YELLOW |
| 2 | 27026-001 | CURTAIN, SPLASH | 1 | |
| 3 | 23853-001 | SNAP HOOK, SHOWER CURTAIN | 3 | |
| 4* | 2509 | NUT, WING 1/4 - 20 PLTD | 1 | |
| 5* | 12391-004 | WASHER, FLAT 1/4 AN970-4 | 1 | |
| 6* | 23847-001 | RUBBER STOPPER | 1 | |
| 7* | 0948 | WASHER, FLAT SAE 1/4 | 1 | |
| 8* | 5277 | SCREW, HHC 1/4 - 20 X 1-1/2 | 1 | |
| 9 | 23862-501 | RUBBER STOPPER ASSY. | 1 | INCLUDES ITEMS W/* |
| 10 | 23783-001 | WRENCH, HEX 3/4 | 1 | |

CART ASSY.



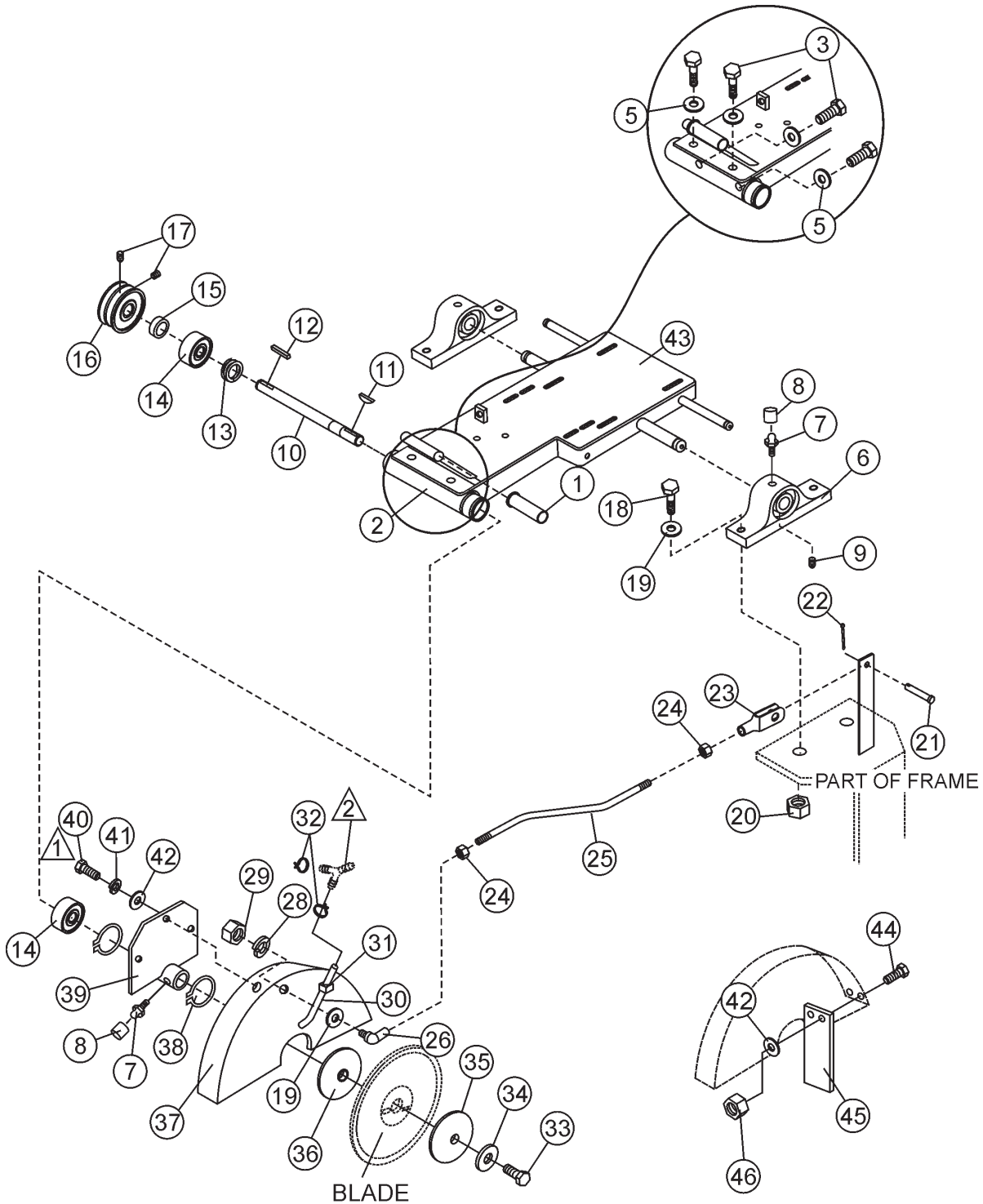
CART ASSY.

CART ASSY.

| <u>NO.</u> | <u>PART NO.</u> | <u>PART NAME</u> | <u>QTY.</u> | <u>REMARKS</u> |
|------------|-----------------|-------------------------------------|-------------|--------------------|
| 1* | 23804-003 | MAT, RUBBER V-RIB 6.75 X 12.06 IN. | 1 | |
| 2* | 23804-004 | MAT, RUBBER V-RIB 14.94 X 12.06 IN. | 1 | |
| 3* | 27035-001 | INSERT, CONVEYOR CART | 1 | |
| 4* | 0730 | SCREW, HHC 1/4-20 X 1 IN. | 4 | |
| 5* | 23793-001 | WHEEL, CONVEYOR CART | 4 | |
| 6* | 0948 | WASHER, FLAT | 4 | |
| 7* | 08233-004 | NUT, LOCK 1/4 IN. - 20 GRIPCO | 7 | |
| 8* | 23796-001 | SCREW, RD HD | 2 | |
| 9* | 27037-001 | SIDE CONVEYOR | 1 | |
| 10* | 23866-001 | SCREW, HHST, 10-32 x 1/2 IN. | 5 | |
| 11* | 27032-001 | RULER, LONG SIDE | 1 | |
| 12* | 23795-008 | SCREW, HHST | 5 | |
| 13* | 27033-001 | RULER, SHORT | 1 | |
| 14* | 26076-301 | TAPE, ROLL ADHESIVE TRNSFR | 8.5 FT. | |
| 15* | 24288-001 | GUIDE, CUTTING | 1 | |
| 16* | 08622-012 | SCREW, THUMB 5/16 - 18 X 1-1/2 IN. | 1 | |
| 17* | 26992-351 | CART, CONVEYOR | 1 | |
| 18 | 27036-501 | CART ASSEMBLY | 1 | INCLUDES ITEMS W/* |

MOTOR PLATE & BLADE GUARD ASSY.

MOTOR PLATE & BLADE GUARD ASSY.



NOTES:

- 1 USE THREADLOCK COMPOUND
LOC-TITE 271 OR EQUIVALENT.
- 2 WATER PUMP ASSY. (ELECTRIC
MOTORS ONLY), ITEM 5

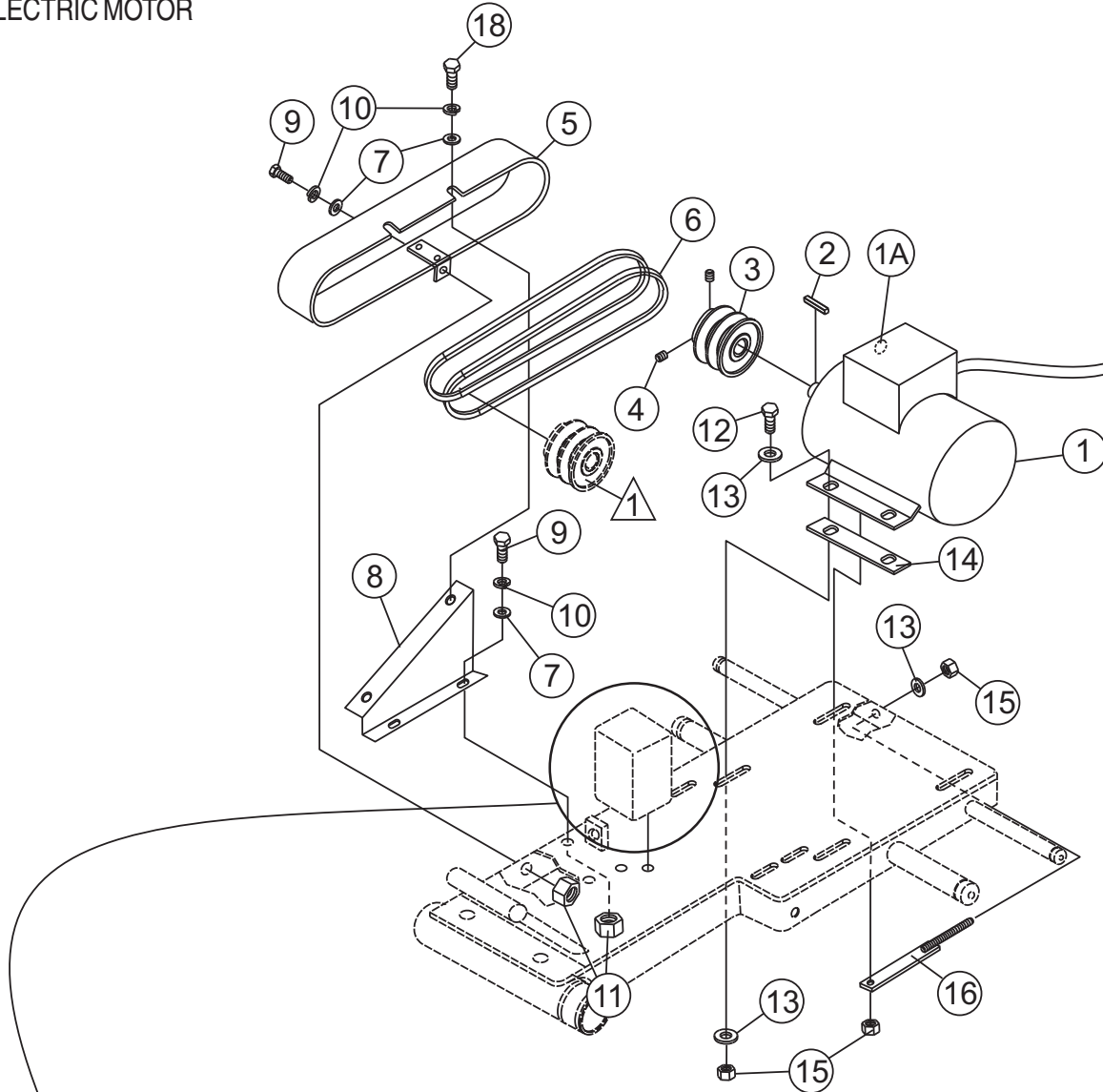
MOTOR PLATE & BLADE GUARD ASSY.

MOTOR PLATE & BLADE GUARD ASSY.

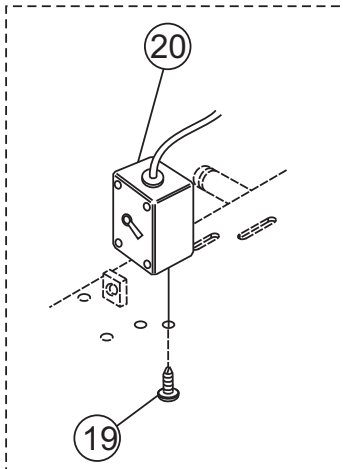
| <u>NO.</u> | <u>PART NO.</u> | <u>PART NAME</u> | <u>QTY.</u> | <u>REMARKS</u> |
|------------|-----------------|---------------------------------|-------------|--------------------------|
| 1 | 20478 | GRIP, HANDLE | 1 | |
| 2 | 23835-702 | TUBE, SPINDLE ASSY. | 1 | |
| 3 | 16105 | SCREW, HEX 5/16-24 x 3/4 IN. | 4 | |
| 5 | 0300 B | WASHER, FLAT 5/16 IN. | 4 | |
| 6 | 27023-001 | BEARING, PILLOW BLOCK | 2 | INCLUDES ITEMS W/# |
| 7 | 2621 | ZERK FITTING | 3 | |
| 8 | 1162 A | CAP, GREASE ZERK #2 YLW | 3 | |
| 9# | TBD | SET SCREW, PILLOW BLOCK | 4 | |
| 10 | 23834-003 | SHAFT, SPINDLE | 1 | |
| 11 | 07011-017 | KEY, WOODRUFF KEY | 1 | |
| 12 | 0627 | KEY, SQUARE 3/16 x 1-1/4 IN. | 1 | |
| 13 | 06330-006 | WASHER, SPRING | 1 | |
| 14 | 23830-001 | BEARING | 2 | |
| 15 | 23829-002 | SPACER, 1/2" | 1 | S/N YG55003339 AND BELOW |
| 15 | 23829-001 | SPACER, 1/4" | 1 | S/N YG55003340 AND ABOVE |
| 16 | 27030-001 | PULLEY, SPINDLE | 1 | ELECTRIC MODELS ONLY |
| 16 | 28324-001 | PULLEY, SPINDLE | 1 | GASOLINE MODELS ONLY |
| 17 | 10138 | SET SCREW, SPINDLE PULLEY | 3 | |
| 18 | 1284 | SCREW, HEX 3/8-16 x 1-1/2 IN. | 4 | |
| 19 | 10136 | WASHER, FLAT 3/8 IN. | 5 | |
| 20 | 10133 | NUT, GRIPPO 3/8-16 IN. | 4 | |
| 21 | 5291 | PIN, CLEVIS 3/8 x 1-1/8 IN. | 1 | |
| 22 | 0683 | PIN, COTTER 3/32 DIA. x 3/4 IN. | 1 | |
| 23 | 08327-012 | YOKE END, ADJUSTABLE | 1 | |
| 24 | 2199 | NUT, JAM 3/8-24 IN. | 2 | |
| 25 | 27021-001 | TIE ROD | 1 | |
| 26 | 27034-001 | BALL JOINT, QUICK DISCONNECT | 1 | |
| 28 | 0166 A | WASHER, LOCK 3/8 IN. | 1 | |
| 29 | 07037-006 | NUT, HEX 3/8-24 IN. | 1 | |
| 30 | 23867-005 | TUBING, VINYL | 2 | |
| 31 | 25628-001 | HOSE CLAMP, BLADE GUARD | 2 | |
| 32 | 12694-001 | HOSE CLAMP | 2 | |
| 33 | 8136 | BOLT, HEX 1/2-20 x 1-1/2 IN. | 1 | |
| 34 | 5054 A | WASHER, LOCK | 1 | |
| 35 | 23832-001 | OUTER FLANGE | 1 | |
| 36 | 23833-001 | INNER FLANGE | 1 | |
| 37 | 27008-351 | BLADE GUARD ASSY. | 1 | YELLOW |
| 38 | 17510-002 | SNAP RING | 2 | |
| 39 | 23825-351 | MOUNTING PLATE, BLADE GUARD | 1 | |
| 40 | 0131 A | SCREW, HEX 1/4-20 x 3/4 IN. | 3 | |
| 41 | 0181 B | WASHER, LOCK 1/4 IN. | 5 | |
| 42 | 0948 | WASHER, FLAT 1/4 IN. | 3 | |
| 43 | 26984-351 | MOTOR PLATE | 1 | YELLOW |
| 43 | 29003-351 | MOTOR PLATE | 1 | 9 HP HONDA |
| 44 | 0131 A | SCREW, HHC 1/4-20 x 3/4 IN. | 2 | |
| 45 | 27078-001 | SPLASH SHIELD, BLADE GUARD | 1 | |
| 46 | 0949 | NUT, HEX 1/4-20 IN. | 2 | |

ELECTRIC MOTOR

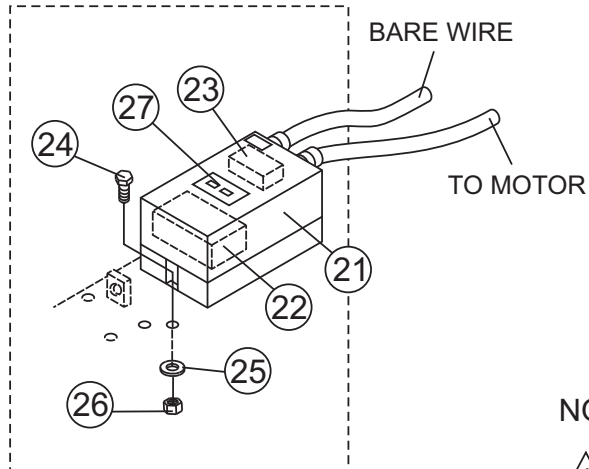
ELECTRIC MOTOR



SINGLE PHASE SWITCH



THREE PHASE SWITCH



NOTES:

 MOTOR PLATE & BLADE GUARD ASSY., ITEM 16

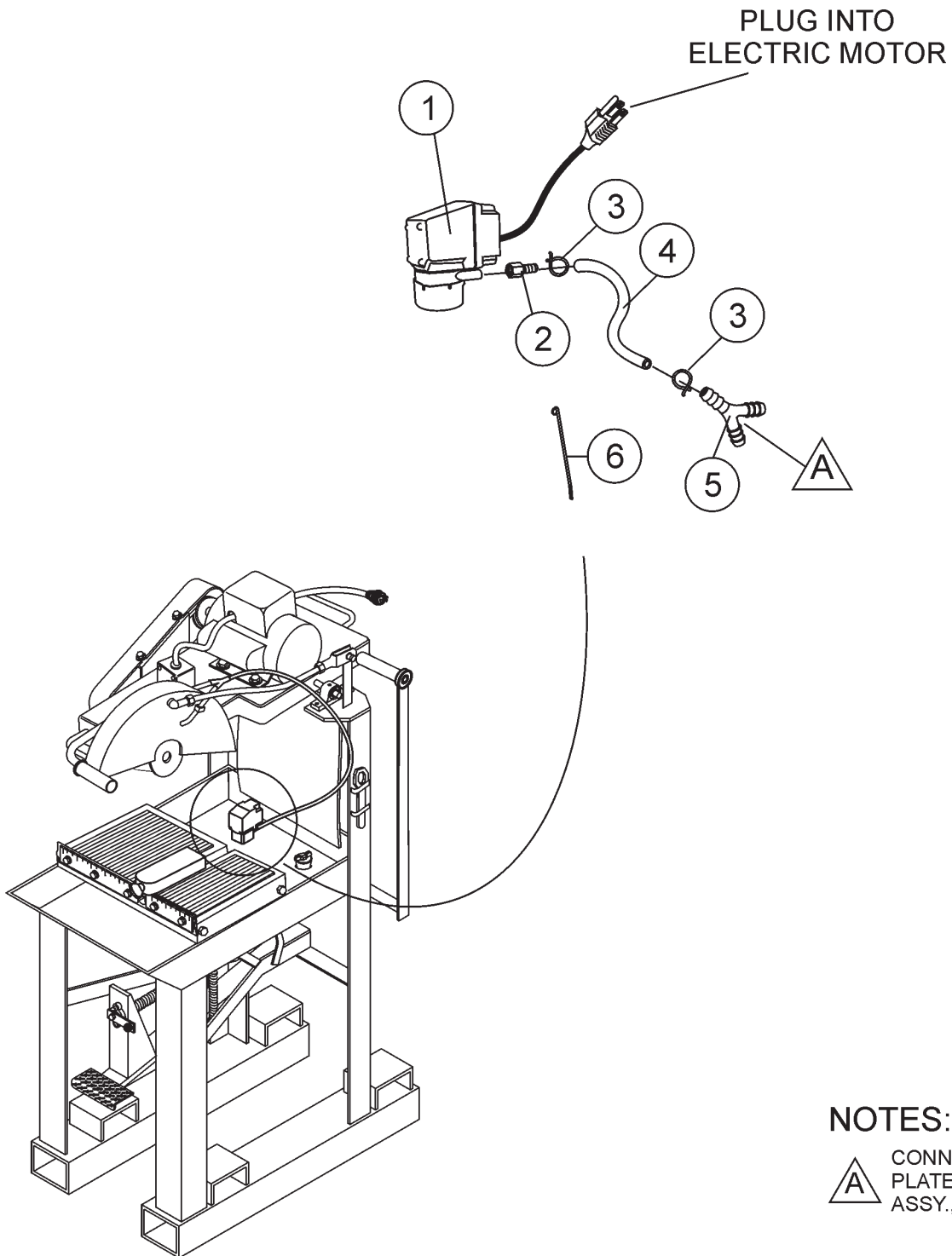
ELECTRIC MOTOR

ELECTRIC MOTOR

| <u>NO.</u> | <u>PART NO.</u> | <u>PART NAME</u> | <u>QTY.</u> | <u>REMARKS</u> |
|------------|-----------------|--------------------------------|-------------|------------------------|
| 1 | 27022-401 | ELECTRIC MOTOR, 5 HP 1Ø | 1 | INCLUDES ITEMS W/* |
| 1 | 27090-401 | ELECTRIC MOTOR, 5 HP 3Ø | 1 | INCLUDES ITEMS W/* |
| 2* | 6059 B | KEY, 1/4 x 2 | 2 | |
| 3 | 27029-002 | PULLEY (MOTOR) | 1 | REPLACES P/N 27029-001 |
| 4 | 16193-006 | SCREW, SHS 5/16-18 x 3/8 IN. | 2 | |
| 5 | 27002-351 | BELT GUARD | 1 | |
| 6 | 21004-005 | BELT - AX-48 | 2 | |
| 7 | 0948 | WASHER, FLAT 1/4 | 5 | |
| 8 | 29710-351 | MOUNT, BELT GUARD | 1 | |
| 9 | 0131 A | SCREW, HHC 1/4 - 20 x 1/2 IN. | 3 | |
| 10 | 0181 B | WASHER, LOCK 1/4 IN. | 5 | |
| 11 | 0949 | NUT, HEX 1/4-20 IN. | 3 | |
| 12 | 1023 | SCREW, HHC 3/16-16 x 1-1/2 IN. | 4 | |
| 13 | 10136 | WASHER, FLAT 3/8 IN. | 6 | |
| 14 | 27016-001 | SPACER, MOTOR | 2 | |
| 15 | 10133 | NUT, NYLOC 3/8-16 IN. | 6 | |
| 16 | 23811-354 | BELT TIGHTENER | 2 | |
| 18 | 0131 A | SCREW, HHC 1/4 - 20 x 1/2 IN. | 2 | |
| 19 | 23865-001 | SCREW, SELF-TAP | 2 | |
| 20 | 24037-501 | SWITCHBOX, 1 PHASE | 1 | |
| 21 | C799Mp55 | SWITCHBOX, 3 PHASE | 1 | |
| 22 | 27090-001 | STARTER | 1 | |
| 23 | 27090-003 | TRIP, UNDER VOLTAGE | 1 | |
| 24 | | BOLT | 2 | OBTAIN LOCALLY |
| 25 | | WASHER, FLAT | 2 | OBTAIN LOCALLY |
| 26 | | NUT, HEX | 2 | OBTAIN LOCALLY |
| 27 | CA302LN | SWITCH | 1 | |

WATER PUMP ASSY. (ELECTRIC MOTORS ONLY)

WATER PUMP ASSY. (ELECTRIC MOTORS ONLY)



NOTES:

 CONNECT TO MOTOR
PLATE & BLADE GUARD
ASSY., ITEMS 25 & 26

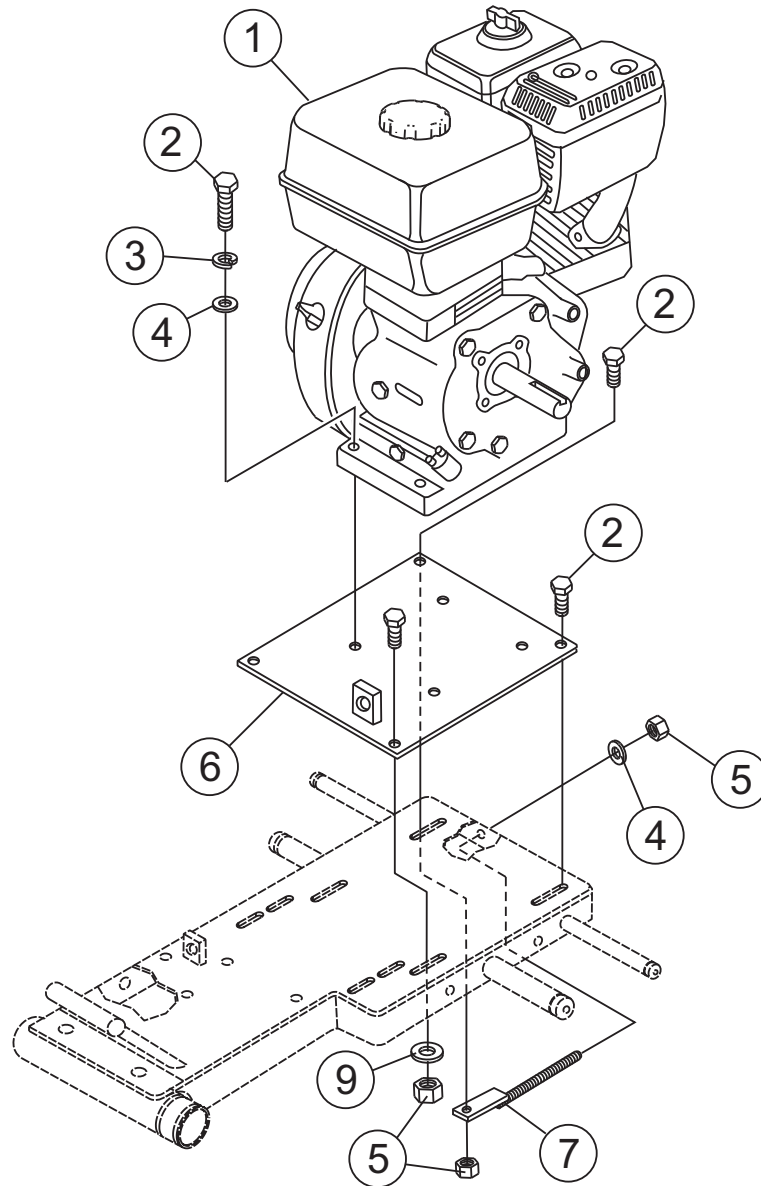
WATER PUMP ASSY. (ELECTRIC MOTORS ONLY)

WATER PUMP ASSY. (ELECTRIC MOTORs ONLY)

| <u>NO.</u> | <u>PART NO.</u> | <u>PART NAME</u> | <u>QTY.</u> | <u>REMARKS</u> |
|------------|-----------------|-----------------------------|-------------|------------------------------|
| 1 | 23843-001 | WATER PUMP, ELECTRIC | 1 | USE WITH SINGLE PHASE MOTORS |
| 1 | 28693-501 | WATER PUMP, ELECTRIC | 1 | USE WITH THREE PHASE MOTORS |
| 2 | 26077-001 | FITTING, BRASS 6 BARB 1/4FP | 1 | |
| 3 | 12694-001 | HOSE CLAMP | 2 | |
| 4 | 23867-006 | TUBING, VINYL 5/16 | 4 | CUT TO 4 FT. |
| 5 | 14233-002 | Y-FITTING | 1 | |
| 6 | 1662 | TIE, CABLE | 1 | |

GASOLINE ENGINE MOUNT ASSY.

GASOLINE ENGINE MOUNT ASSY.



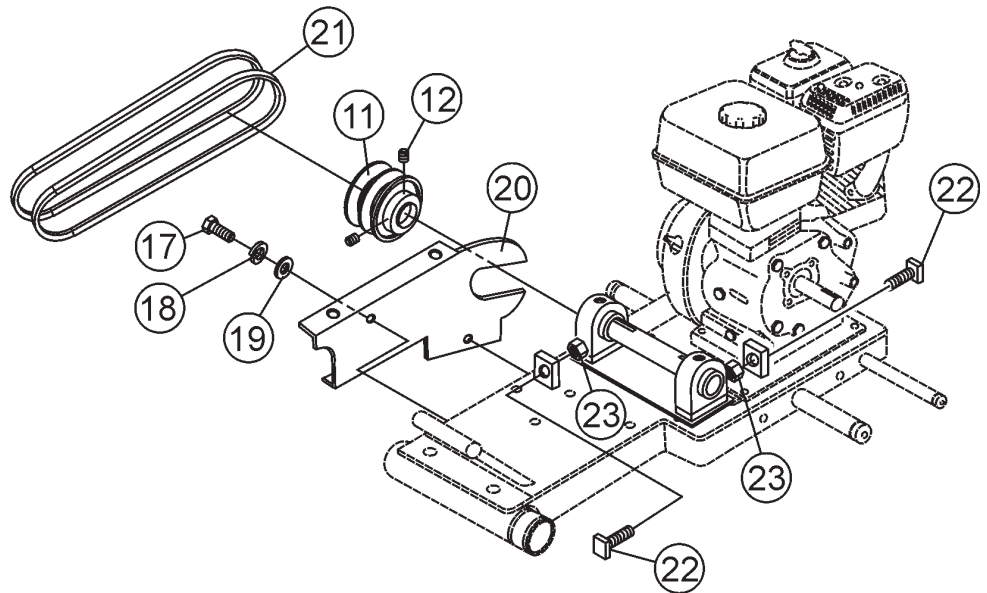
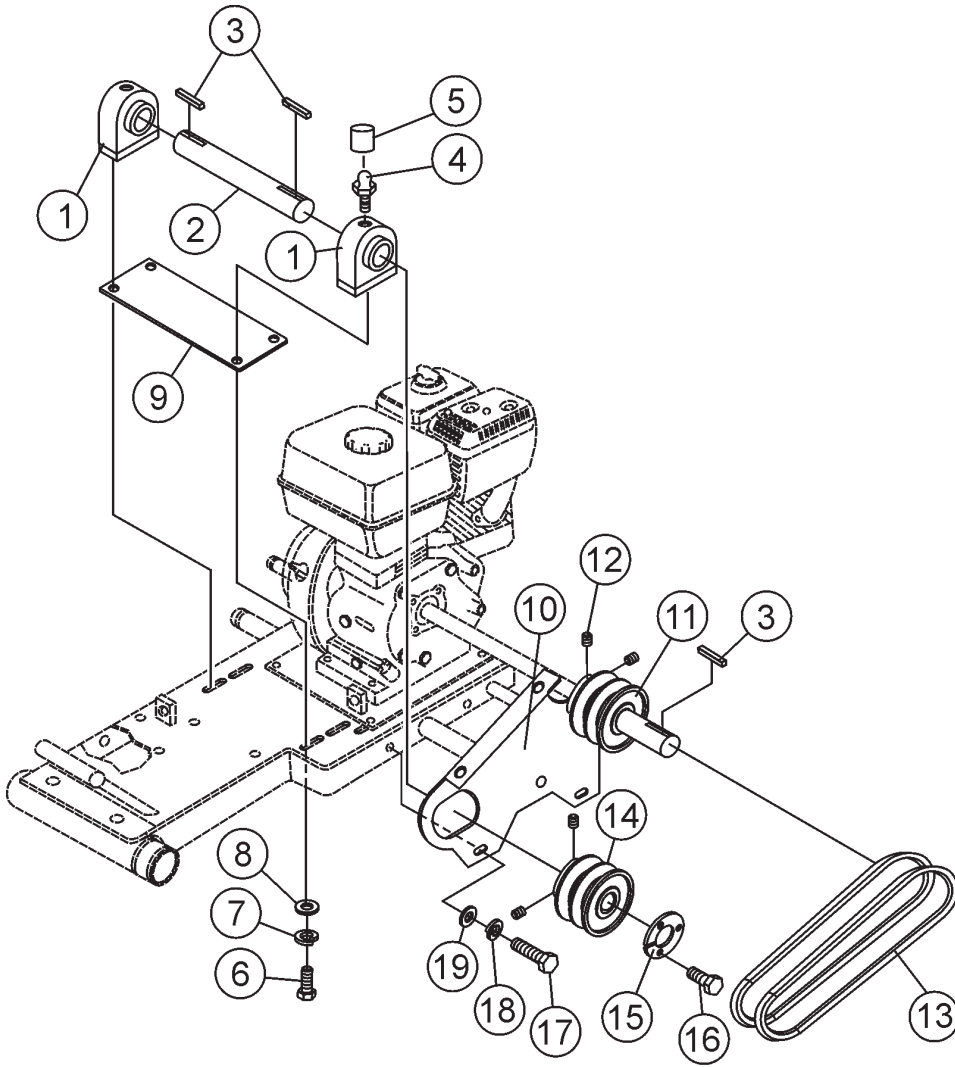
GASOLINE ENGINE MOUNT ASSY.

GASOLINE ENGINE MOUNT ASSY.

| <u>NO.</u> | <u>PART NO.</u> | <u>PART NAME</u> | <u>QTY.</u> | <u>REMARKS</u> |
|------------|-----------------|-------------------------------|-------------|----------------|
| 1 | 15101 | ENGINE, HONDA 9 H.P. | 1 | GX270QWH2 |
| 2 | 1023 | SCREW, HHC 3/8-16 x 1-1/4 IN. | 8 | |
| 3 | 0166 A | WASHER, LOCK 3/8 IN. | 4 | |
| 4 | 10136 | WASHER, FLAT 3/8 IN. | 2 | |
| 5 | 10133 | NUT, GRIPPO 3/8-16 IN. | 4 | |
| 6 | 29004-351 | BASE PLATE, ENGINE MOUNT | 1 | |
| 7 | 23811-354 | BELT TIGHTENER | 2 | |
| 9 | 28275-001 | WASHER, FLAT | 2 | |

GASOLINE ENGINE JACKSHAFT ASSY.

GASOLINE ENGINE JACKSHAFT ASSY.



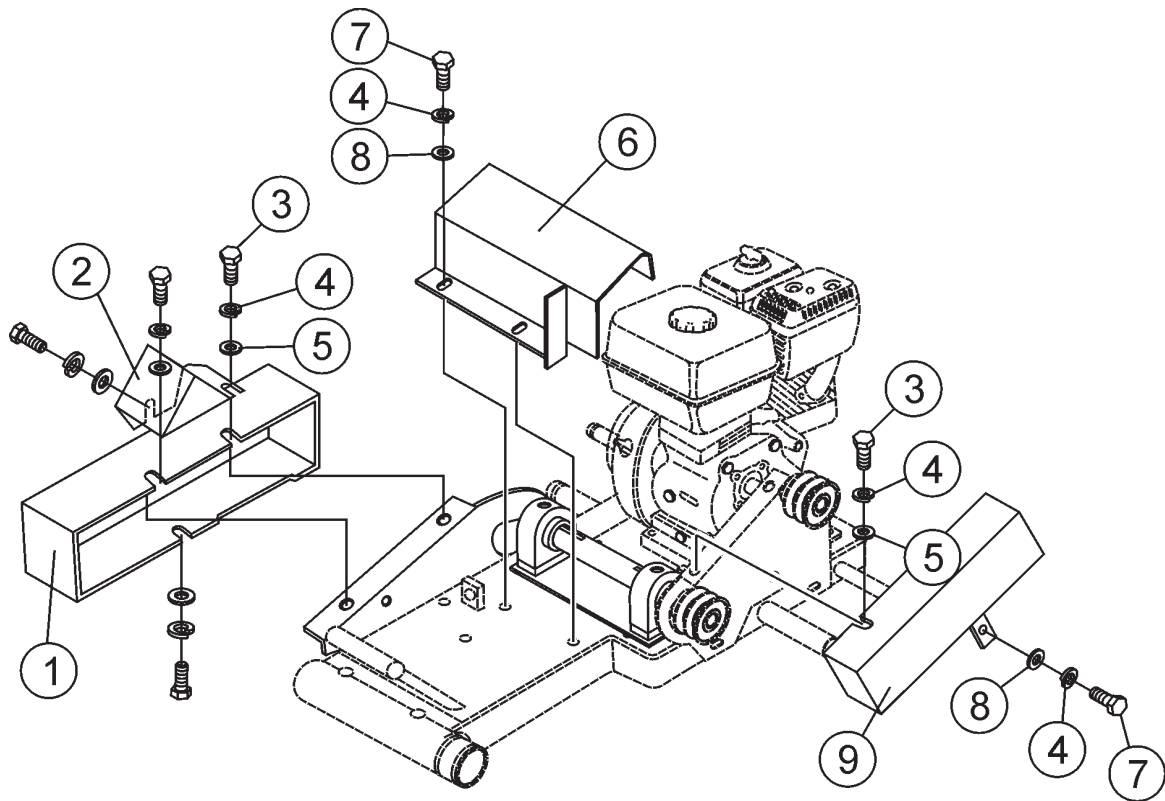
GASOLINE ENGINE JACKSHAFT ASSY.

GASOLINE ENGINE JACKSHAFT ASSY.

| <u>NO.</u> | <u>PART NO.</u> | <u>PART NAME</u> | <u>QTY.</u> | <u>REMARKS</u> |
|------------|-----------------|---------------------------------|-------------|----------------|
| 1 | 28321-001 | BEARINGS, PILLOW BLOCK | 2 | |
| 2 | 28919-001 | JACKSHAFT | 1 | |
| 3 | 10057-011 | KEY, SQUARE 1/4 X 1-1/4 | 3 | |
| 4 | 1162 A | CAP, GREASE ZERK #2 YLW | 2 | |
| 5 | 2621 | ZERK, GREASE STR 1/4-28 | 2 | |
| 6 | 1023 | SCREW, HEX 3/8-16 x 1-1/4 IN. | 4 | |
| 7 | 0166 A | WASHER, LOCK 3/8 IN. | 4 | |
| 8 | 28275-001 | WASHER, FLAT 3/8 IN. | 4 | |
| 9 | 28844-001 | SUPPORT PLATE, JACKSHAFT | 1 | |
| 10 | 29005-351 | BELT GUARD MOUNT | 1 | |
| 11 | 28322-003 | PULLEY, ENGINE/JACKSHAFT | 2 | |
| 12 | 16193-006` | SCREW, SET 5/16-18 x 3/8 IN. | 4 | |
| 13 | 16779-012 | DRIVE BELT 3VX250 | 2 | |
| 14 | 29007-001 | PULLEY, JACKSHAFT | 1 | |
| 15 | 29008-001 | BUSHING, SPLIT TYPE | 1 | |
| 16 | 0424 | SCREW, 1/4-20 X 1-1/4 IN. | 3 | |
| 17 | 0131 A | SCREW, HHC 1/4 - 20 X 3/4 IN. | 4 | |
| 18 | 0181 B | WASHER, LOCK 1/4 IN. | 4 | |
| 19 | 0949 | WASHER, FLAT 1/4 IN. | 4 | |
| 20 | 28769-351 | MOUNTING BRACKET, BELT GUARD | 1 | |
| 21 | 16779-004 | SPINDLE V-BELT 3VX375 | 2 | |
| 22 | 27058-001 | SCREW, SQ. HD 3/8-16 x 2.50 IN. | 2 | |
| 23 | 1456 | NUT, HEX 3/8-16 IN. | 2 | |

GASOLINE ENGINE COVERS ASSY.

GASOLINE ENGINE COVERS ASSY.



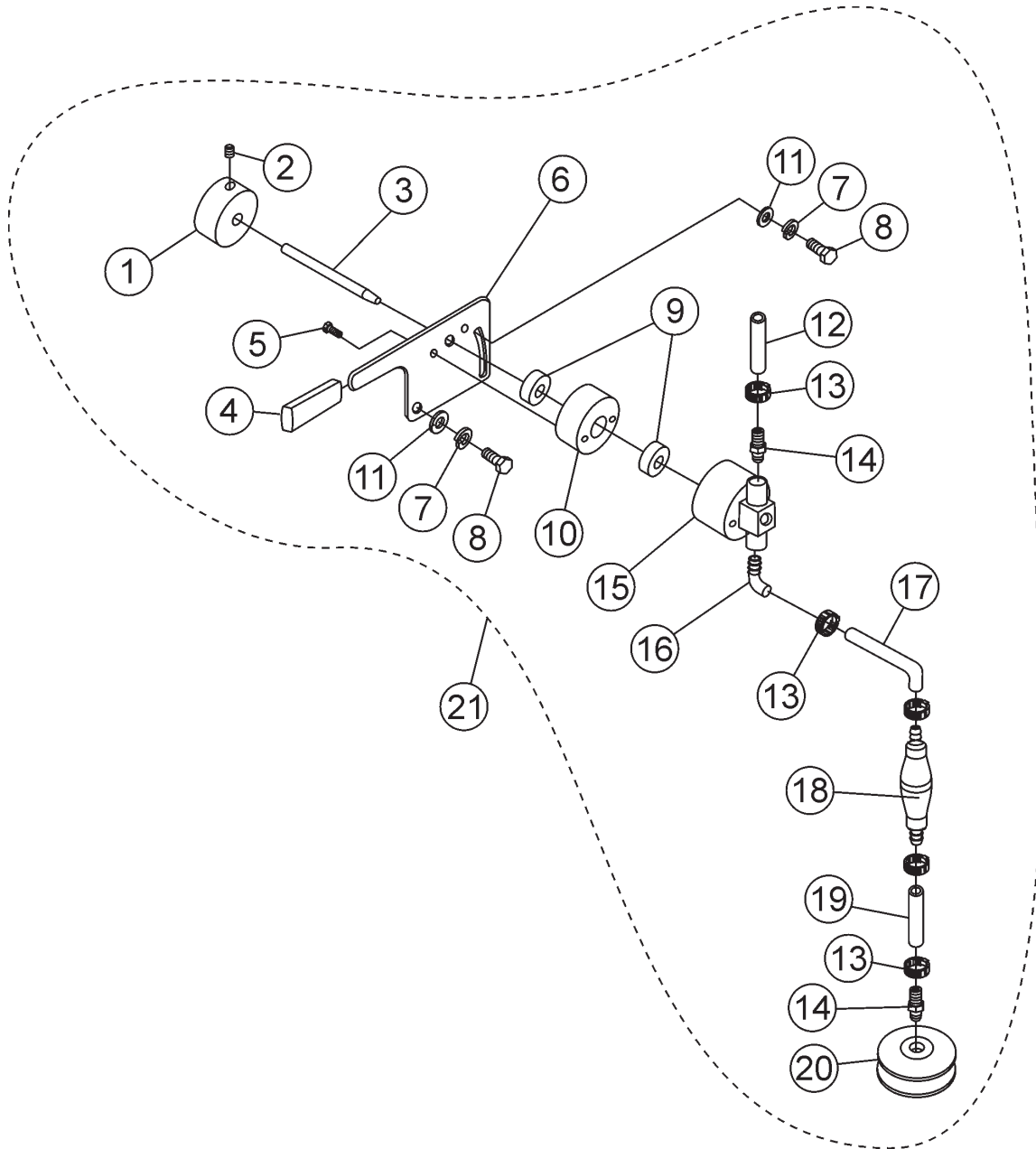
GASOLINE ENGINE COVERS ASSY.

GASOLINE ENGINE COVERS ASSY.

| <u>NO.</u> | <u>PART NO.</u> | <u>PART NAME</u> | <u>QTY.</u> | <u>REMARKS</u> |
|------------|-----------------|-----------------------------|-------------|----------------|
| 1 | 28886-351 | BELT GUARD, LEFT SIDE | 1 | YELLOW |
| 2 | 28178-351 | COVER, WATER PUMP | 1 | YELLOW |
| 3 | 1579 | SCREW, HEX 1/4-20 x 1/2 | 4 | |
| 4 | 0181 B | WASHER, LOCK 1/4 IN. | 5 | |
| 5 | 0948 | WASHER, FLAT 3/8 IN. | 4 | |
| 6 | 28906-351 | JACKSHAFT COVER | 1 | YELLOW |
| 7 | 0131 A | SCREW, HEX 1/4-20 x 3/4 IN. | 2 | |
| 8 | 0181 B | WASHER, LOCK 1/4 IN. | 2 | |
| 9 | 28928-351 | BELT GUARD, JACKSHAFT | 1 | YELLOW |

WATER PUMP ASSY. (GASOLINE ENGINES ONLY)

WATER PUMP ASSY. (GASOLINE ENGINES ONLY)



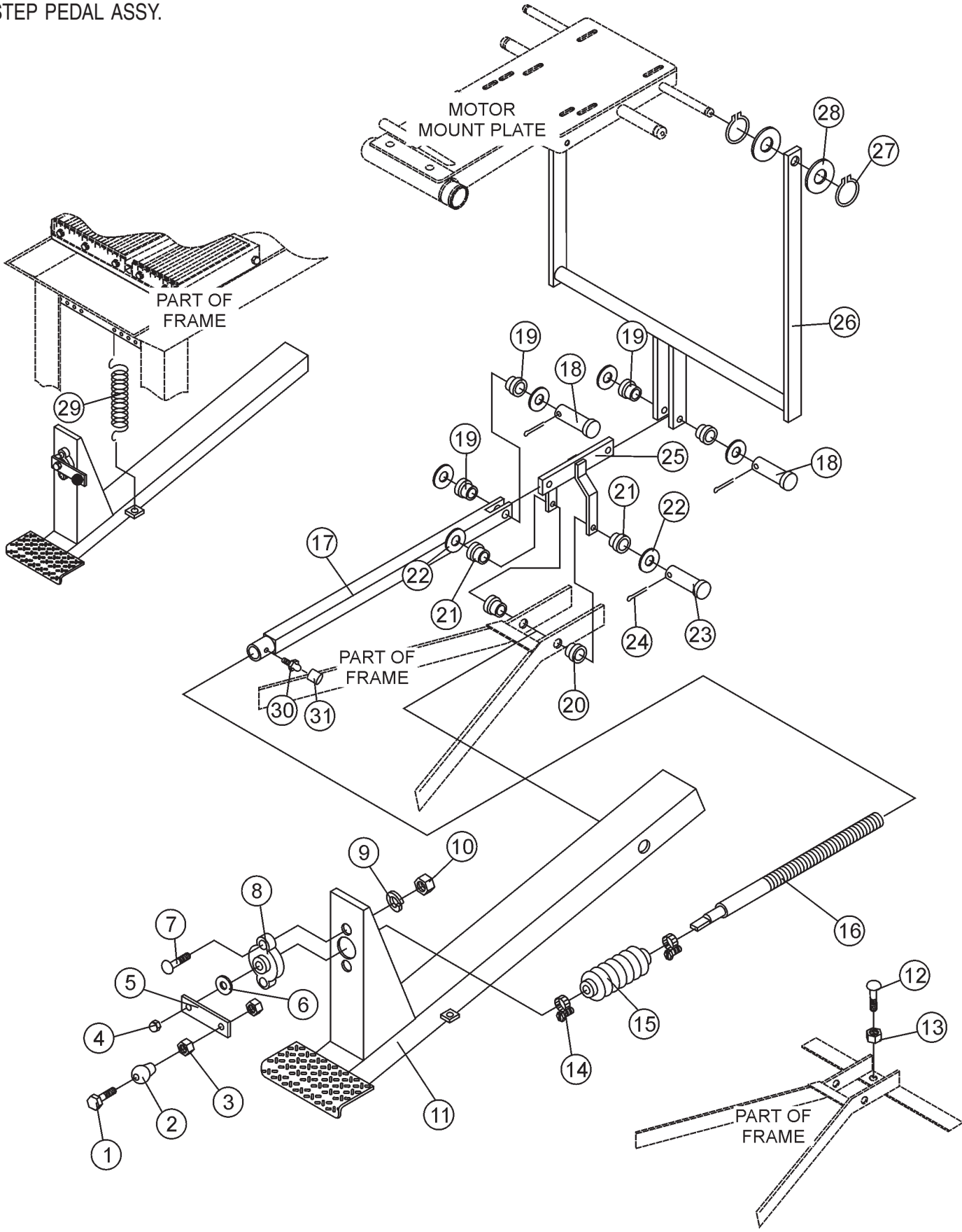
WATER PUMP ASSY. (GASOLINE ENGINES ONLY)

WATER PUMP ASSY. (GASOLINE ENGINES ONLY)

| <u>NO.</u> | <u>PART NO.</u> | <u>PART NAME</u> | <u>QTY.</u> | <u>REMARKS</u> |
|------------|-----------------|--------------------------------------|-------------|--------------------|
| 1* | 28917-002 | PULLEY-WATER PUMP 2" IN. | 1 | |
| 2* | 10138 | SCREW, SHS 1/4-20 X 1/2 IN. | 4 | |
| 3* | 28910-001 | SHAFT, PUMP | 1 | |
| 4* | 3360 | GRIP, PUMP HANDLE | 1 | |
| 5* | 10120-010 | SCREW, RHM 1/4 - 20 X 5/8 | 2 | |
| 6* | 28179-001 | BRACKET, PUMP MOUNTING | 1 | |
| 7* | 0166 A | WASHER, LOCK, 3/8 IN. | 2 | |
| 8* | 0205 | SCREW, HHC 3/8-16 X 1.0 IN. | 2 | |
| 9* | 09189-006 | BEARING, BALL | 2 | |
| 10* | 28916-001 | CAP, WATER PUMP | 1 | |
| 11* | 10136 | WASHER, FLAT 3/8 IN. | 2 | |
| 12* | 60021 | HOSE, BRAIDED PVC 3/8 x 5/8 IN. | 2 | CUT TO 24 IN. |
| 13* | 12694-001 | HOSE CLAMP | 4 | |
| 14* | 25874-001 | FITTING, PLASTIC STR 6 BARB | 2 | |
| 15* | 25802-001 | HEAD, WATER PUMP | 1 | |
| 16* | 2925 | FITTING, PLASTIC 90 6 BARB | 1 | |
| 17* | 60021 | HOSE, BRAIDED PVC 3/8 x 5/8 IN. | 3 | CUT TO 32 IN. |
| 18* | 25875-001 | BULB, PRIMER | 1 | |
| 19* | 60021 | HOSE, BRAIDED PVC 3/8 x 5/8 IN. | 1 | CUT TO 8 IN. |
| 20* | 25685-001 | STRAINER, INLET 3/8 IN. | 1 | |
| 21 | TRAK20WP | PUMP ASSY. | 1 | INCLUDES ITEMS W/* |

STEP PEDAL ASSY.

STEP PEDAL ASSY.



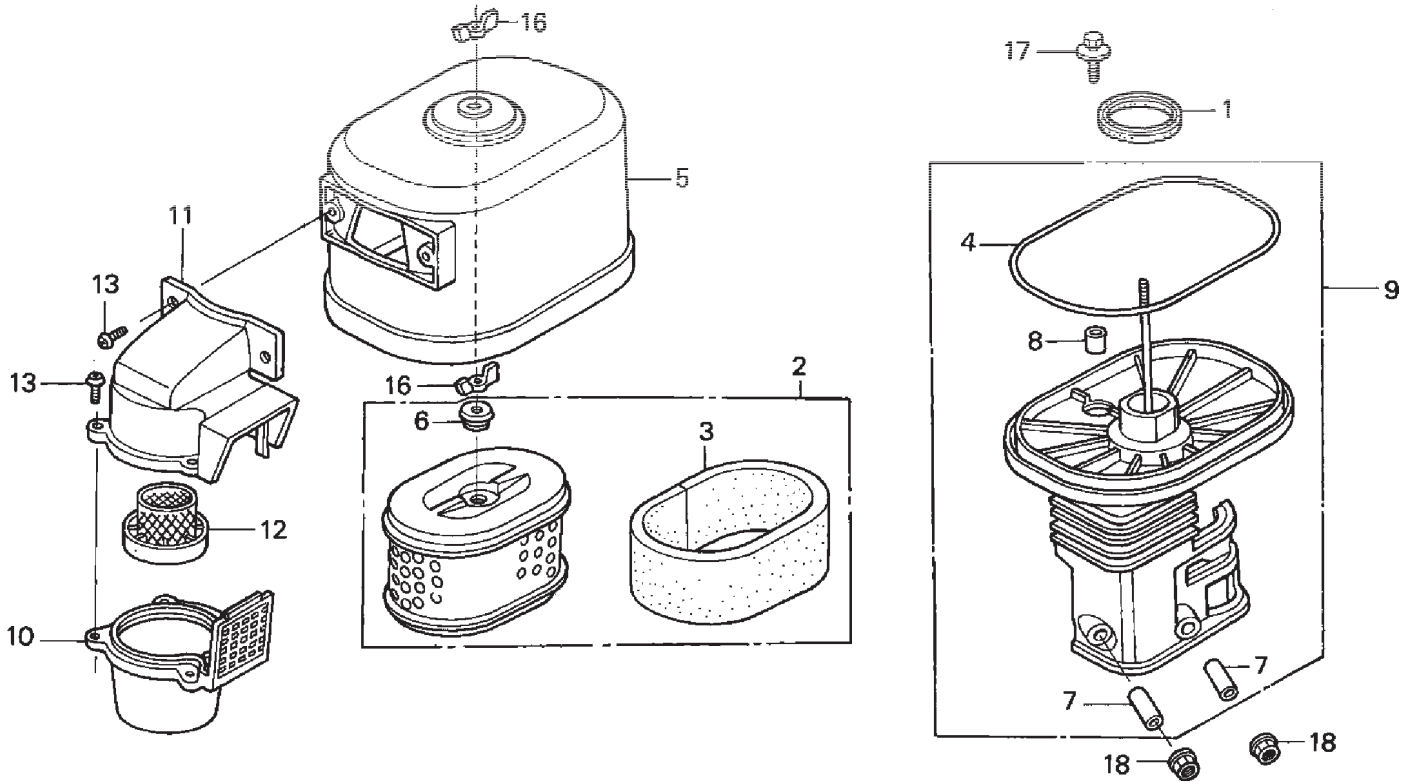
STEP PEDAL ASSY.

STEP PEDAL ASSY.

| <u>NO.</u> | <u>PART NO.</u> | <u>PART NAME</u> | <u>QTY.</u> | <u>REMARKS</u> |
|------------|-----------------|---------------------------------|-------------|----------------|
| 1 | 06500-020 | SCREW, HEX 5/16-18 x 2-1/2 IN. | 1 | |
| 2 | 18637-001 | KNOB | 1 | |
| 3 | 0106 | JAM NUT 5/16-18 IN. | 2 | |
| 4 | 23860-001 | ACORN NUT 1/2-13 IN. | 1 | |
| 5 | 23768-001 | HANDLE, BLADE HEIGHT ADJ. | 1 | |
| 6 | 23730-001 | WASHER, FLAT | 1 | |
| 7 | 0424 | SCREW, HEX 1/4-20 x 1-1/4 IN. | 2 | |
| 8 | 23842-001 | BEARING-FLANGED | 1 | |
| 9 | 0181 B | WASHER, LOCK 1/4 IN. | 2 | |
| 10 | 0949 | NUT, HEX 1/4-20 IN. | 2 | |
| 11 | 26976-351 | FOOT PEDAL | 1 | |
| 12 | 27017-001 | BOLT, CARRIAGE 1/2-13 x 4 IN. | 1 | |
| 13 | 968011 | NUT, HEX 1/2-13 | 1 | |
| 14 | 14821-005 | CLAMP | 2 | |
| 15 | 23845-002 | BELLOWS | 1 | |
| 16 | 27076-001 | ROD, BLADE HEIGHT ADJ. | 1 | |
| 17 | 27018-351 | PIVOT TUBE | 1 | |
| 18 | 19974 | CLEVIS PIN 1/2 DIA. x 1-1/2 IN. | 2 | |
| 19 | 27025-001 | BUSHING | 4 | |
| 20 | 27024-002 | BUSHING, FLANGED | 2 | |
| 21 | 27024-001 | BUSHING, FLANGED | 2 | |
| 22 | 0447 | WASHER, FLAT 1/2 IN. | 6 | |
| 23 | 27079-002 | CLEVIS PIN 1/2 DIA. x 5 IN. | 1 | |
| 24 | 3216 | COTTER PIN 1/8 DIA. x 7/8 IN. | 3 | |
| 25 | 27012-351 | PIVOT BRACKET, STEP PEDAL | 1 | |
| 26 | 28957-351 | PIVOT BRACKET, MOTOR PLATE | 1 | |
| 27 | 10096-019 | SNAP RING | 4 | |
| 28 | 3264 | WASHER, FLAT 1 IN. | 4 | |
| 29 | 27028-001 | EXTENSION SPRING | 2 | |
| 30 | 2621 | ZERK FITTING | 1 | |
| 31 | 1162 A | CAP, GREASE ZERK #2 YLW | 1 | |

GX270QWH2 ENGINE — AIR CLEANER ASSY.

AIR CLEANER ASSY.



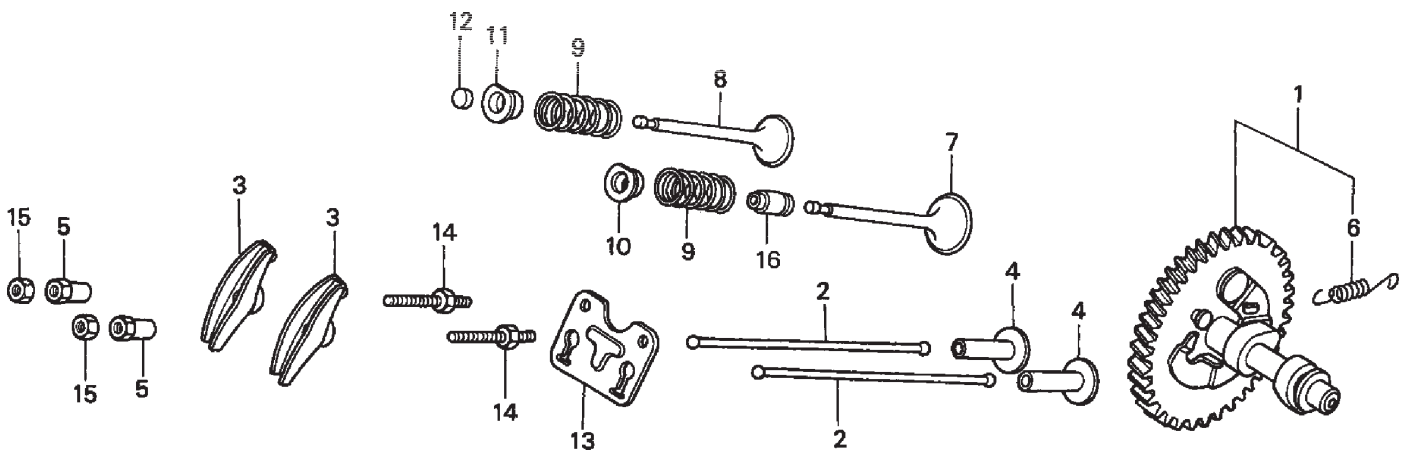
GX270QWH2 ENGINE — AIR CLEANER ASSY.

AIR CLEANER ASSY.

| <u>NO.</u> | <u>PART NO.</u> | <u>PART NAME</u> | <u>QTY.</u> | <u>REMARKS</u> |
|------------|-----------------|------------------------------|-------------|---------------------|
| 1 | 16271ZE2000 | GASKET, ELBOW | 1 | |
| 2 | 17210ZE3010 | ELEMENT, AIR CLEANER | 1 | INCLUDES ITEMS W/\$ |
| 2 | 17210ZE3505 | ELEMENT, AIR CLEANER | 1 | INCLUDES ITEMS W/\$ |
| 3\$ | 17218ZE3000 | FILTER (OUTER) | 1 | |
| 3\$ | 17218ZE3505 | FILTER (OUTER) | 1 | |
| 4* | 17219HA2405 | SEAL, AIR CLEANER COVER | 1 | |
| 4* | 17219KL4000 | SEAL, AIR CLEANER COVER | 1 | |
| 5 | 17230ZE3841 | COVER, AIR CLEANER (CYCLONE) | 1 | |
| 6\$ | 17232891000 | GROMMET, AIR CLEANER | 1 | |
| 7* | 17238ZE2310 | COLLAR, AIR CLEANER | 2 | |
| 8* | 17239ZE3840 | COLLAR B, AIR CLEANER | 1 | |
| 9 | 17410ZE3840 | ELBOW, AIR CLEANER | 1 | INCLUDES ITEMS W/* |
| 10 | 17470ZE3841 | CASE, PRE AIR CLEANER | 1 | |
| 11 | 17475ZE3841 | CAP, PRE AIR CLEANER | 1 | |
| 12 | 17476ZE3841 | GUIDE, PRE AIR CLEANER | 1 | |
| 13 | 90142MB0000 | SCREW, PAN (5X16.5) | 5 | |
| 16 | 90325044000 | WINGNUT, TOOL BOX SETTING | 2 | |
| 17 | 90009ZE2003 | BOLT-WASHER (6X22) | 1 | |
| 18 | 9405006000 | NUT, FLANGE (6MM) | 2 | |

GX270QWH2 ENGINE — CAMSHAFT ASSY.

CAMSHAFT ASSY.



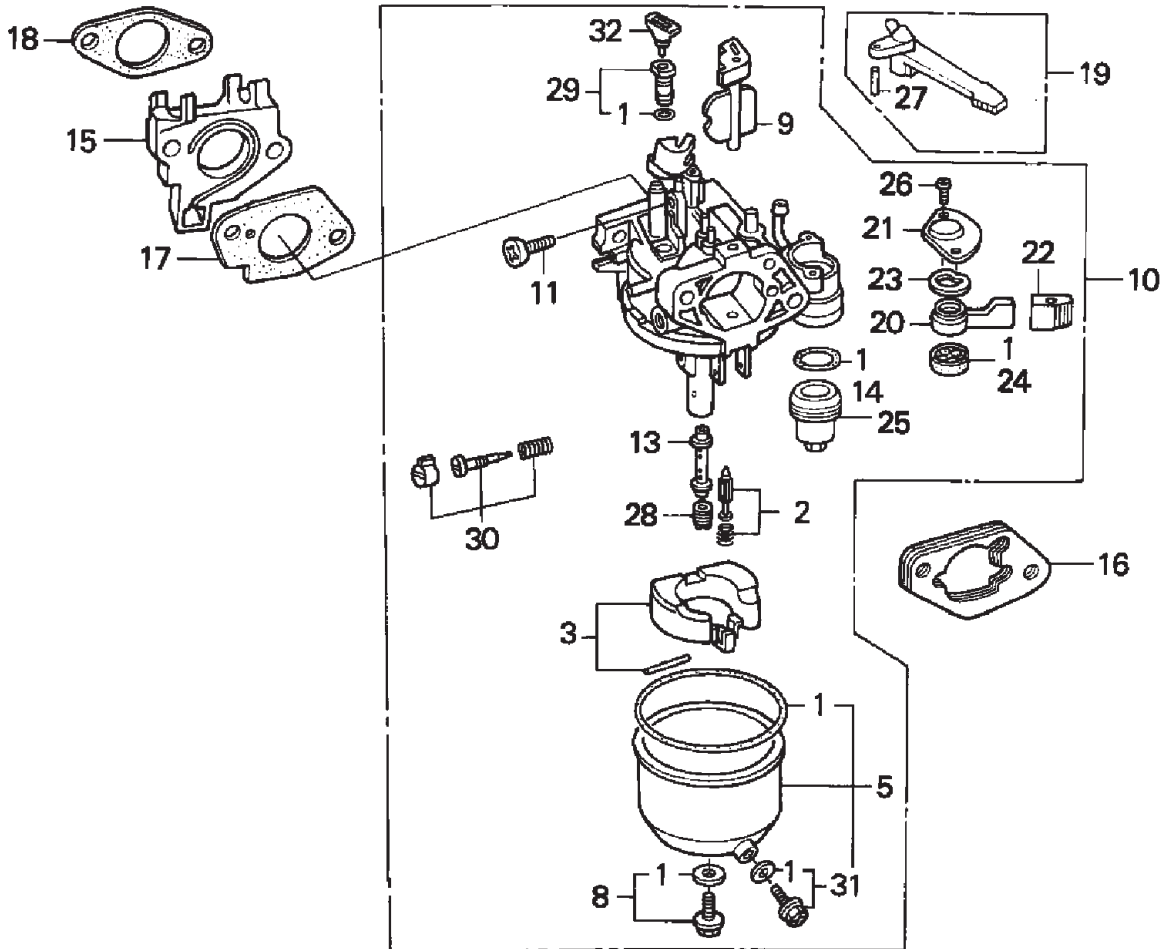
GX270QWH2 ENGINE — CAMSHAFT ASSY.

CAMSHAFT ASSY.

| <u>NO.</u> | <u>PART NO.</u> | <u>PART NAME</u> | <u>QTY.</u> | <u>REMARKS</u> |
|------------|-----------------|----------------------------|-------------|--------------------|
| 1 | 14100ZE3020 | CAMSHAFT ASSY. | 1 | INCLUDES ITEMS W/* |
| 2 | 14410ZE2013 | ROD, PUSH | 2 | |
| 3 | 14431ZE2010 | ARM, VALVE ROCKER | 2 | |
| 4 | 14441ZE2000 | LIFTER, VALVE | 2 | |
| 5 | 14451ZE1013 | PIVOT, ROCKER ARM | 2 | |
| 6* | 14568ZE1000 | SPRING, WEIGHT RETURN | 1 | |
| 7 | 14711ZE2000 | VALVE, IN. | 1 | |
| 8 | 14721ZE2000 | VALVE, EX. | 1 | |
| 9 | 14751ZE2003 | SPRING, VALVE | 2 | |
| 10 | 14771ZE2000 | RETAINER, IN. VALVE SPRING | 1 | |
| 11 | 14773ZE2000 | RETAINER, EX. VALVE SPRING | 1 | |
| 12 | 14781ZE2000 | ROTATOR, VALVE | 1 | |
| 13 | 14791ZE2010 | PLATE, PUSH ROD GUIDE | 1 | |
| 14 | 90012ZE0010 | BOLT, PIVOT (8MM) | 2 | |
| 15 | 90206ZE1000 | NUT, PIVOT ADJ. | 2 | |
| 16 | 12209ZE8003 | SEAL, VALVE STEM | 1 | |

GX270QWH2 ENGINE — CARBURETOR ASSY.

CARBURETOR ASSY.



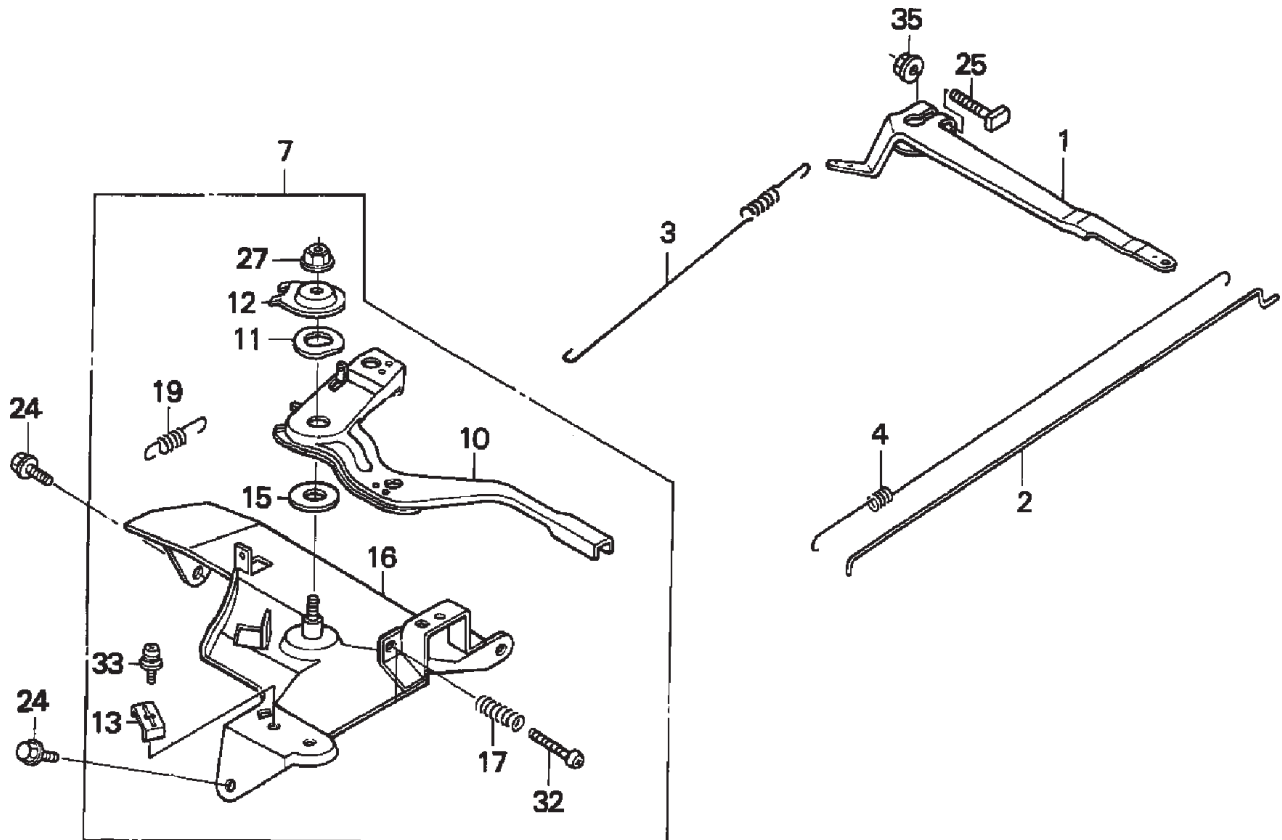
GX270QWH2 ENGINE — CARBURETOR ASSY.

CARBURETOR ASSY.

| <u>NO.</u> | <u>PART NO.</u> | <u>PART NAME</u> | <u>QTY.</u> | <u>REMARKS</u> |
|------------|-----------------|----------------------------------|-------------|---------------------|
| 1\$* | 16010ZE2812 | GASKET SET | 1 | |
| 2* | 16011ZA0931 | VALVE SET, FLOAT | 1 | |
| 3* | 16013ZA0931 | FLOAT SET | 1 | |
| *5 | 16015ZE8005 | CHAMBER SET, FLOAT | 1 | INCLUDES ITEMS W/\$ |
| 8* | 16028ZE0005 | SCREW SET B | 1 | |
| 9* | 16044ZE2005 | CHOKE SET | 1 | |
| 10 | 16100ZH9W01 | CARBURETOR ASSY. (BE75A B) | 1 | INCLUDES ITEMS W/* |
| 11* | 16124ZE0005 | SCREW, THROTTLE STOP | 1 | |
| 13* | 16166ZH9W00 | NOZZLE, MAIN | 1 | |
| 14* | 16173001004 | GASKET, FUEL STRAINER CUP | 1 | |
| 15 | 16211ZE2000 | INSULATOR, CARBURETOR | 1 | |
| 16 | 16220ZA0702 | SPACER, CARBURETOR | 1 | |
| 17 | 16221ZA0800 | GASKET, CARBURETOR | 1 | |
| 18 | 16223ZA0800 | GASKET, INSULATOR | 1 | |
| 19 | 16610ZE1000 | LEVER, CHOKE (STD) | 1 | INCLUDES ITEMS W/+ |
| 20* | 16953ZE1812 | LEVER, VALVE | 1 | |
| 21* | 16954ZE1812 | PLATE, LEVER SETTING | 1 | |
| 23* | 16956ZE1811 | SPRING, VALVE LEVER | 1 | |
| 24* | 16957ZE1812 | GASKET, VALVE | 1 | |
| 25* | 16967ZE0811 | CUP, FUEL STRAINER | 1 | |
| 26* | 93500030060H | SCREW, PAN (3X6) | 2 | |
| 27+ | 9430520122 | PIN, SPRING (2X12) | 1 | |
| 28 | 99101ZH80880 | JET, MAIN (#88) (OPTIONAL) | 1 | |
| 28 | 99101ZH80900 | JET, MAIN (#90) (OPTIONAL) | 1 | |
| 28* | 99101ZH80920 | JET, MAIN (#92) | 1 | |
| 29* | 99204ZE00350 | JET SET, PILOT (#35) | 1 | |
| 30* | 16016ZH7W01 | SCREW SET | 1 | |
| 31\$* | 16024ZE1811 | SCREW SET, DRAIN | 1 | |
| 32* | 16172ZE3W10 | COLLAR, SET | 1 | |

GX270QWH2 ENGINE — CONTROL ASSY.

CONTROL ASSY.



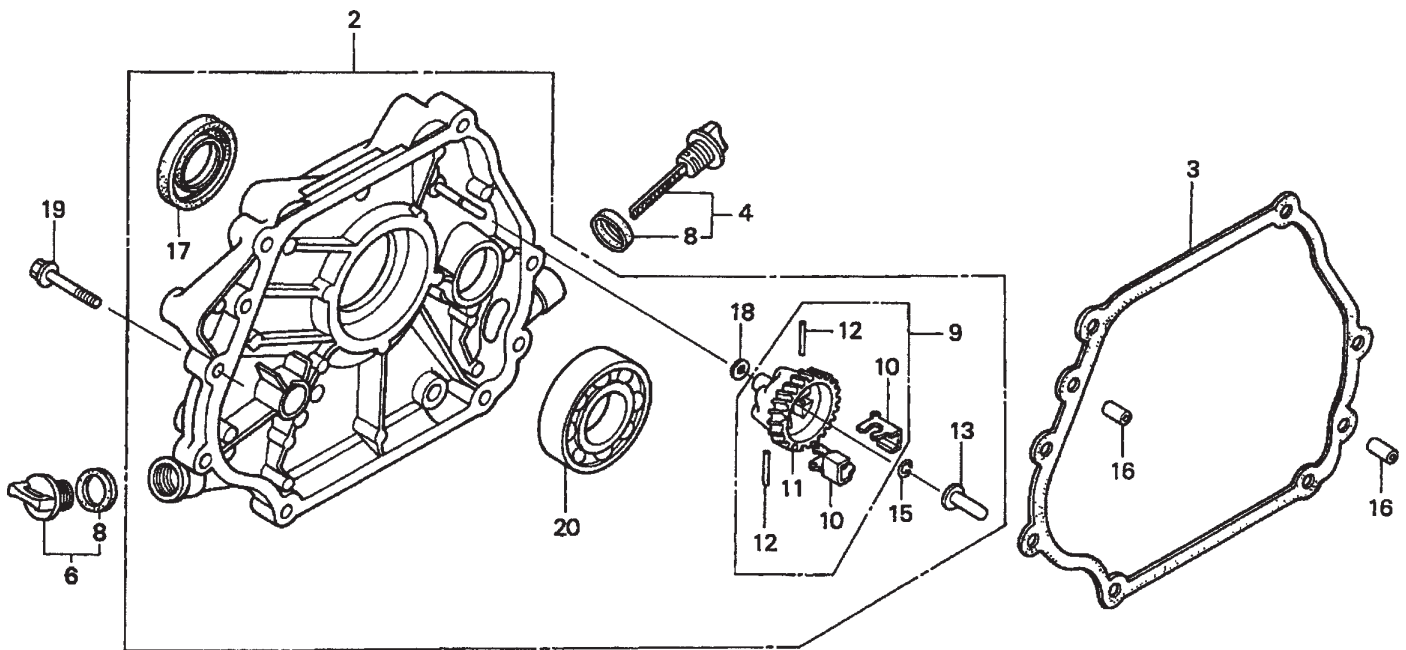
GX270QWH2 ENGINE — CONTROL ASSY.

CONTROL ASSY.

| <u>NO.</u> | <u>PART NO.</u> | <u>PART NAME</u> | <u>QTY.</u> | <u>REMARKS</u> |
|------------|-----------------|-----------------------------|-------------|--------------------|
| 1 | 16551ZE2000 | ARM, GOVERNOR | 1 | |
| 2 | 16555ZE2000 | ROD, GOVERNOR | 1 | |
| 3 | 16561ZE2000 | SPRING, GOVERNOR | 1 | |
| 4 | 16562ZE2000 | SPRING, THROTTLE RETURN | 1 | |
| 7 | 16570ZE2W20 | CONTROL ASSY. (REMOTE) | 1 | INCLUDES ITEMS W/* |
| 10* | 16571ZE2W00 | LEVER, CONTROL | 1 | |
| 11* | 16574ZE1000 | SPRING, LEVER | 1 | |
| 12* | 16575ZE2W00 | WASHER, CONTROL LEVER | 1 | |
| 13* | 16576891000 | HOLDER, CABLE | 1 | |
| 15* | 16578ZE1000 | SPACER, CONTROL LEVER | 1 | |
| 16* | 16581ZE2W00 | BASE, CONTROL | 1 | |
| 17* | 16584883300 | SPRING, CONTROL ADJUSTING | 1 | |
| 19* | 16592883310 | SPRING, CABLE RETURN | 1 | |
| 24 | 90013883000 | BOLT, FLANGE (6X12) (CT200) | 2 | |
| 25 | 90015ZE5010 | BOLT, GOVERNOR ARM | 1 | |
| 27* | 90114SA0000 | NUT, SELF-LOCK (6MM) | 1 | |
| 32* | 93500050280A | SCREW, PAN (5X28) | 1 | |
| 33* | 93500050160A | SCREW, PAN (5X16) | 1 | |
| 35 | 9405006000 | NUT, FLANGE (6MM) | 1 | |

GX270QWH2 ENGINE — CRANKCASE COVER ASSY.

CRANKCASE COVER ASSY.



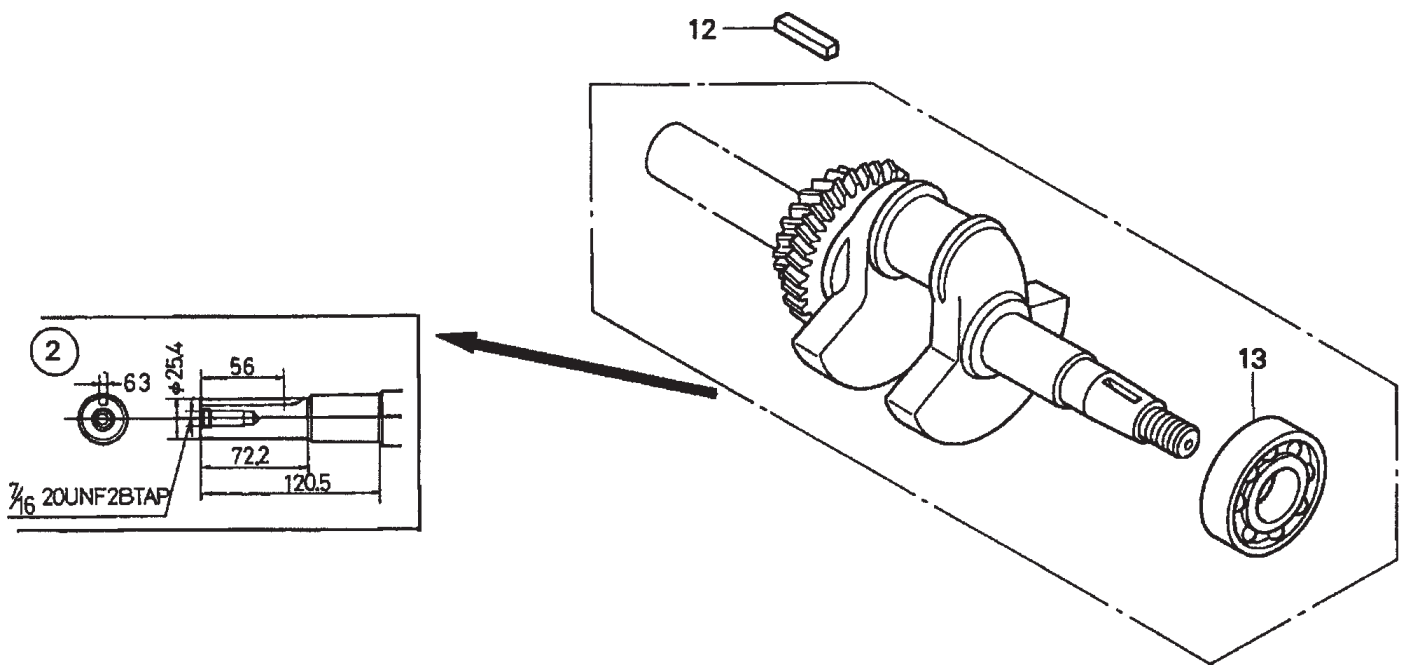
GX270QWH2 ENGINE — CRANKCASE COVER ASSY.

CRANKCASE COVER ASSY.

| <u>NO.</u> | <u>PART NO.</u> | <u>PART NAME</u> | <u>QTY.</u> | <u>REMARKS</u> |
|------------|-----------------|---------------------------------------|-------------|---------------------|
| 2 | 11300ZE2602 | COVER ASSY., CRANKCASE (Q-TYPE) | 1 | INCLUDES ITEMS W/* |
| 3 | 11381ZE2801 | GASKET, CASE COVER | 1 | INCLUDES ITEMS W/+ |
| 4 | 15600735003 | CAP ASSY., OIL FILLER | 1 | INCLUDES ITEMS W/+ |
| 6 | 15600ZG4003 | CAP ASSY., OIL FILLER | 1 | |
| 8+ | 15625ZE1003 | GASKET, OIL FILLER CAP | 2 | INCLUDES ITEMS W/\$ |
| 9* | 16510ZE2000 | GOVERNOR ASSY. (STD) | 1 | |
| 10\$* | 16511ZE2000 | WEIGHT, GOVERNOR | 2 | |
| 11\$* | 16512ZE2000 | HOLDER, GOVERNOR WEIGHT | 1 | |
| 12\$* | 16513ZE2000 | PIN, GOVERNOR WEIGHT | 2 | |
| 13* | 16531Z0A000 | SLIDER, GOVERNOR | 1 | |
| 15* | 90602ZE1000 | CLIP, GOVERNOR HOLDER | 1 | |
| 16 | 90701HC4000 | PIN, DOWEL (8X12) | 2 | |
| 17* | 91201890003 | OIL SEAL (30X46X8) | 1 | |
| 18* | 9410106800 | WASHER, PLAIN (6MM) | 1 | |
| 19 | 957010803500 | BOLT, FLANGE (8X35) | 7 | |
| 20* | 961006206000 | BEARING, RADIAL BALL (6206) | 1 | |

GX270QWH2 ENGINE — CRANKSHAFT ASSY.

CRANKSHAFT ASSY.



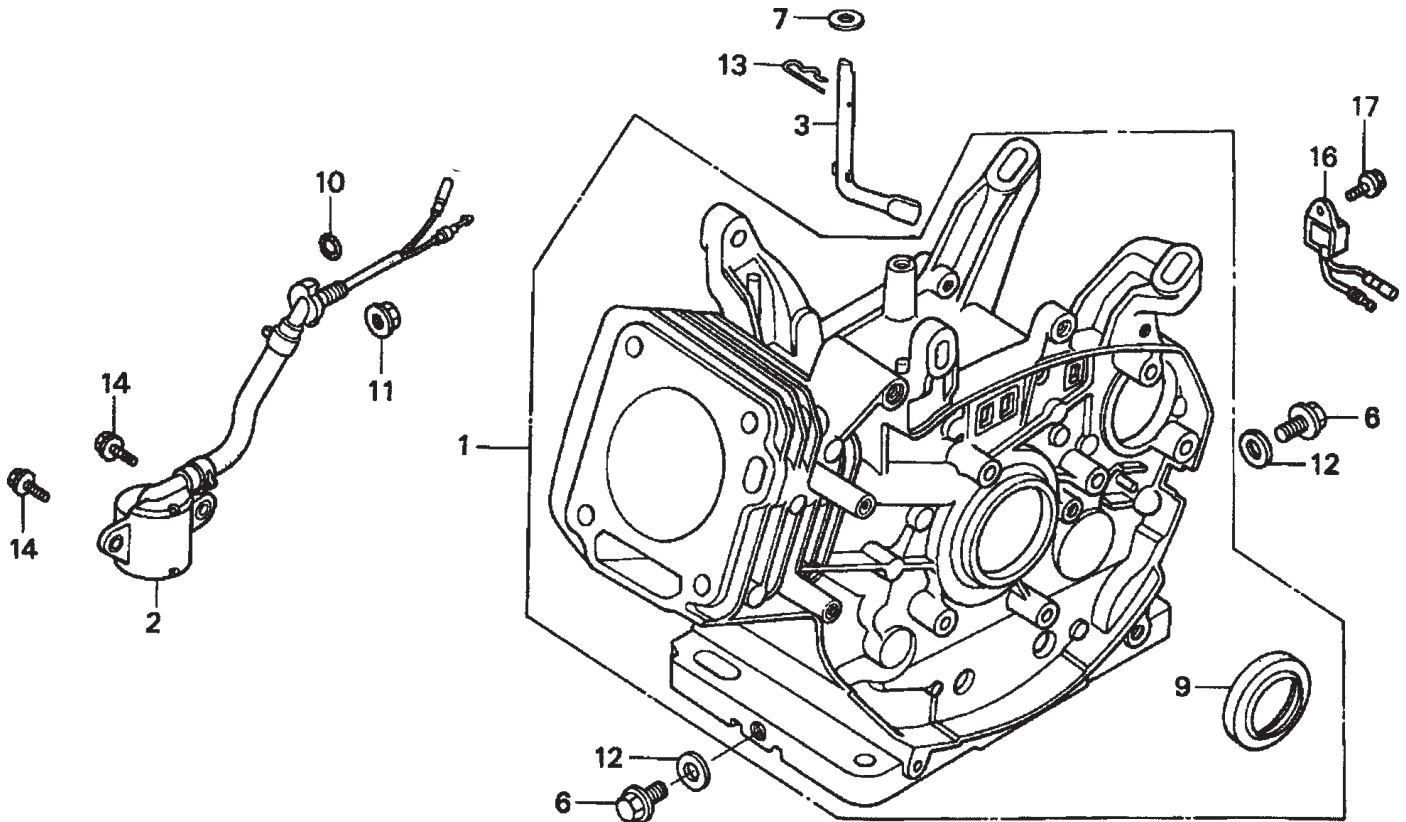
GX270QWH2 ENGINE — CRANKSHAFT ASSY.

CRANKSHAFT ASSY.

| <u>NO.</u> | <u>PART NO.</u> | <u>PART NAME</u> | <u>QTY.</u> | <u>REMARKS</u> |
|------------|-----------------|--------------------------------|-------------|--------------------|
| 2 | 13310ZH9600 | CRANKSHAFT (Q-TYPE)..... | 1 | INCLUDES ITEMS W/* |
| 12 | 90745ZE2600 | KEY (6.3X6.3X43) | 1 | |
| 13* | 91001ZH9003 | BEARING, RADIAL BALL (6206 SH) | 1 | |

GX270QWH2 ENGINE — CYLINDER BARREL ASSY.

CYLINDER BARREL ASSY.



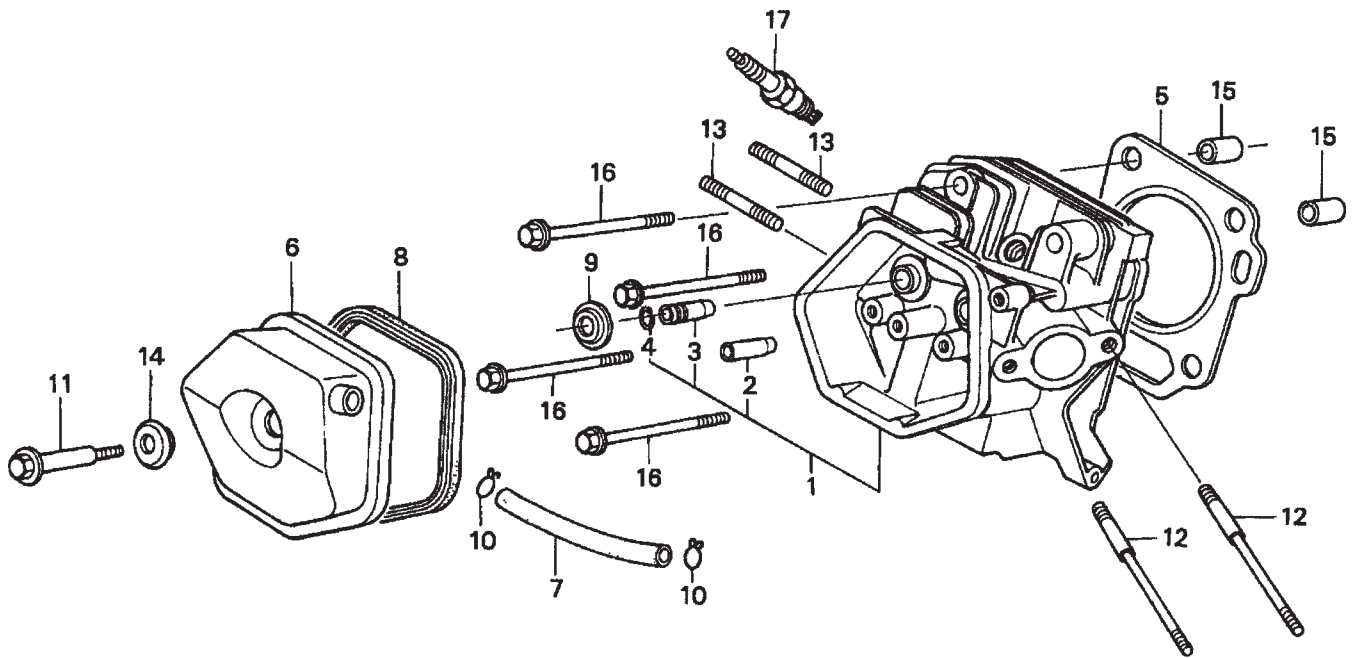
GX270QWH2 ENGINE — CYLINDER BARREL ASSY.

CYLINDER BARREL ASSY.

| <u>NO.</u> | <u>PART NO.</u> | <u>PART NAME</u> | <u>QTY.</u> | <u>REMARKS</u> |
|------------|-----------------|------------------------------|-------------|--------------------|
| 1 | 12000ZH9802 | CYLINDER ASSY. (ALERT) | 1 | INCLUDES ITEMS W/* |
| 2 | 15510ZE2043 | SWITCH ASSY., OIL LEVER | 1 | |
| 3 | 16541ZE2010 | SHAFT, GOVERNOR ARM | 1 | |
| 6 | 90131896650 | BOLT, DRAIN PLUG | 2 | |
| 7 | 90446KE1000 | WASHER (8.2X17X0.8) | 1 | |
| 9* | 91201890003 | OIL SEAL (30X46X8) | 1 | |
| 10 | 91353671003 | O-RING (13.5X1.5) (ARAI) | 1 | |
| 11 | 9405010000 | NUT, FLANGE (10MM) | 1 | |
| 12 | 9410912000 | WASHER, DRAIN PLUG (12MM) | 2 | |
| 13 | 9425110000 | PIN, LOCK (10MM) | 1 | |
| 14 | 957010601200 | BOLT, FLANGE (6X12) | 2 | |
| 16 | 34150ZH7003 | ALERT UNIT, OIL | 1 | |
| 17 | 90013883000 | BOLT, FLANGE (6X12) (CT200) | 1 | |

GX270QWH2 ENGINE — CYLINDER HEAD ASSY.

CYLINDER HEAD ASSY.



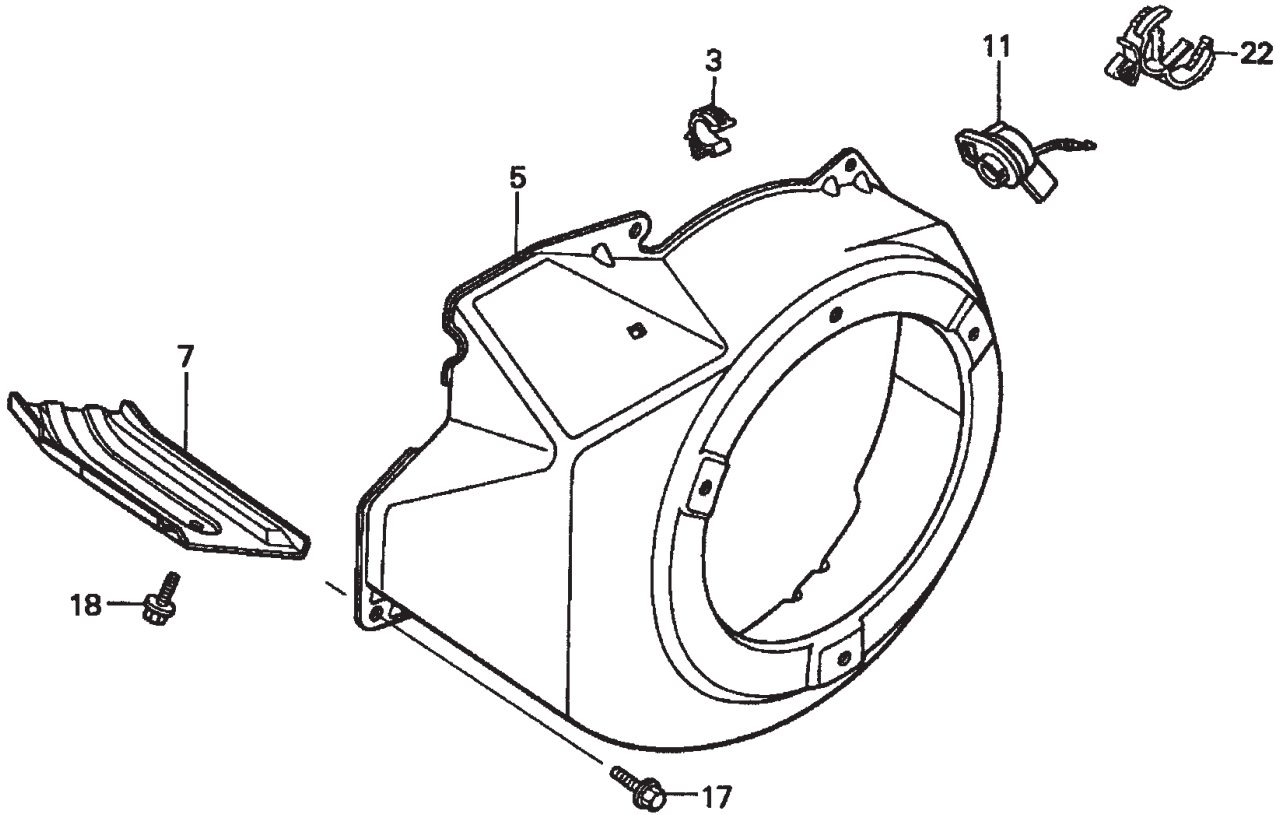
GX270QWH2 ENGINE — CYLINDER HEAD ASSY.

CYLINDER HEAD ASSY.

| <u>NO.</u> | <u>PART NO.</u> | <u>PART NAME</u> | <u>QTY.</u> | <u>REMARKS</u> |
|------------|-----------------|--|-------------|--------------------|
| 1 | 12200ZH9000 | CYLINDER HEAD | 1 | INCLUDES ITEMS W/* |
| 2* | 12204ZE2306 | GUIDE, VALVE (OS) (OPTIONAL) | 1 | |
| 3* | 12205ZE2305 | GUIDE, EX. VALVE (OS) (OPTIONAL) | 1 | |
| 4* | 12216ZE2300 | CLIP, VALVE GUIDE | 1 | |
| 5 | 12251ZH9000 | GASKET, CYLINDER HEAD | 1 | |
| 6 | 12310ZE3791 | COVER, HEAD | 1 | |
| 7 | 12315ZE3840 | TUBE, BREATHER | 1 | |
| 8 | 12391ZE2020 | GASKET, CYLINDER HEAD COVER | 1 | |
| 9 | 14775ZE2010 | SEAT, VALVE SPRING | 1 | |
| 10 | 17316611000 | CLIP, BREATHER TUBE | 2 | |
| 11 | 90014ZE2000 | BOLT, HEAD COVER | 1 | |
| 12 | 90042ZE2000 | BOLT, STUD (8X123) | 2 | |
| 13 | 92900080320E | BOLT 2, STUD (8X32) | 2 | |
| 14 | 90441ZE2010 | WASHER, HEAD COVER | 1 | |
| 15 | 9430112200 | PIN A, DOWEL (12X20) | 2 | |
| 16 | 957011008000 | BOLT, FLANGE (10X80) | 4 | |
| 17 | 9807955846 | SPARK PLUG (BPR5ES) (NGK) (OPTIONAL) | 1 | |
| 17 | 9807955855 | SPARK PLUG (W16EPR-U) (DENSO) (OPTIONAL) | 1 | |
| 17 | 9807956846 | SPARK PLUG (BPR6ES) (NGK) | 1 | |
| 17 | 9807956855 | SPARK PLUG (W20EPR-U) (DENSO) | 1 | |

GX270QWH2 ENGINE — FAN COVER ASSY.

FAN COVER ASSY.



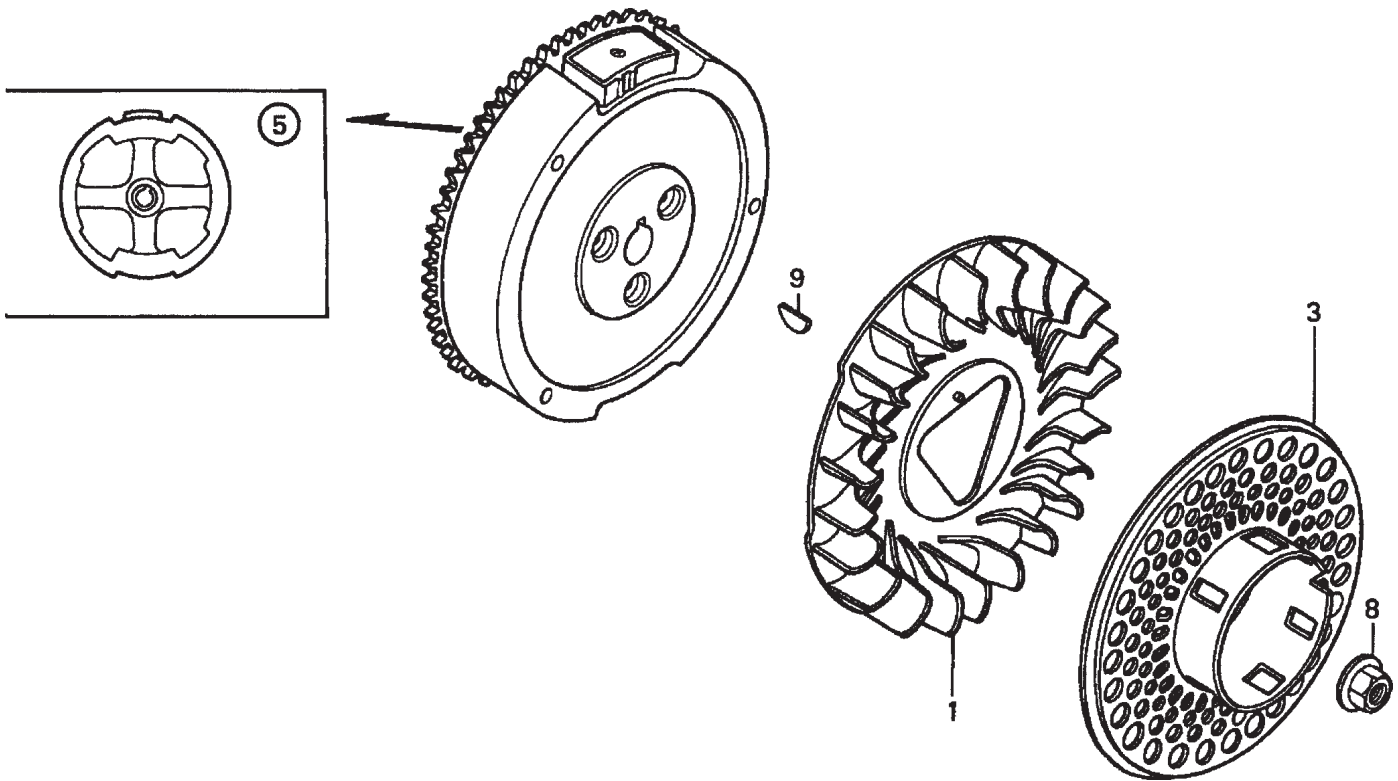
GX270QWH2 ENGINE — FAN COVER ASSY.

FAN COVER ASSY.

| <u>NO.</u> | <u>PART NO.</u> | <u>PART NAME</u> | <u>QTY.</u> | <u>REMARKS</u> |
|------------|-----------------|-----------------------------|-------------|----------------|
| 3 | 16731ZE2003 | CLIP, TUBE | 1 | |
| 5 | 19610ZE2010ZC | COVER, FAN *NH1* (BLACK) | 1 | |
| 7 | 19631ZE2D00 | SHROUD | 1 | |
| 11 | 36100ZH7003 | SWITCH ASSY., ENGINE STOP | 1 | |
| 17 | 90013883000 | BOLT, FLANGE (6X12) (CT200) | 5 | |
| 18 | 90013883000 | BOLT, FLANGE (6X12) (CT200) | 1 | |
| 22 | 90684ZA0601 | CLIP, WIRE | 1 | |

GX270QWH2 ENGINE — FLYWHEEL ASSY.

FLYWHEEL ASSY.



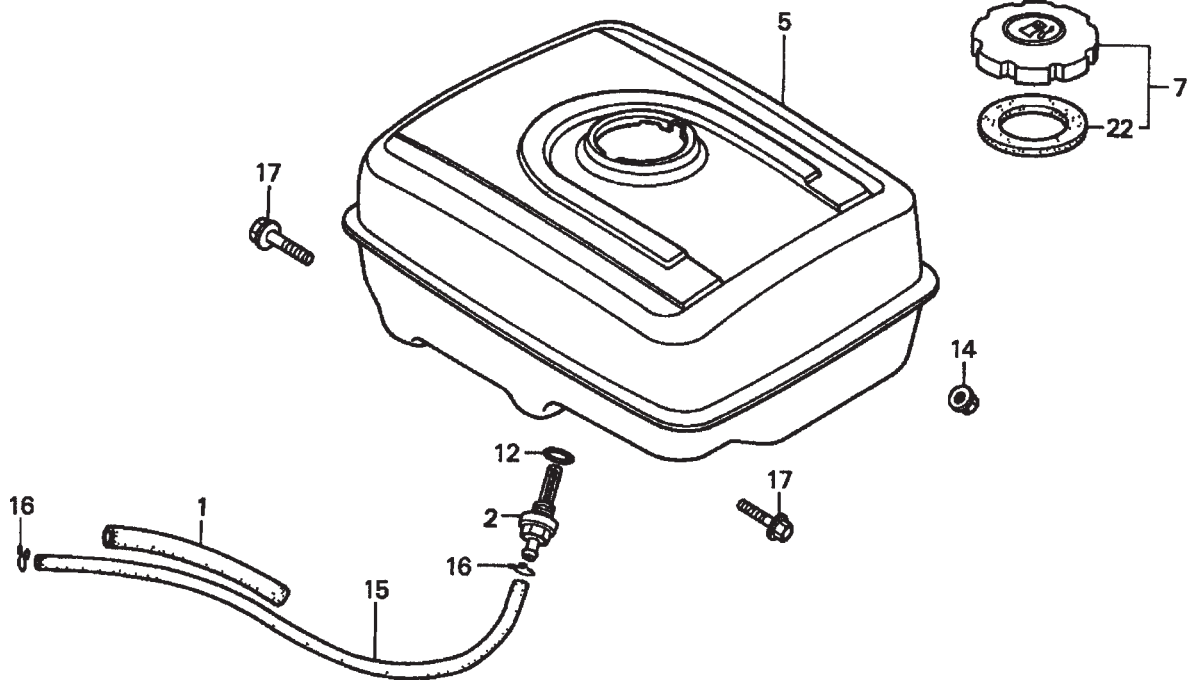
GX270QWH2 ENGINE — FLYWHEEL ASSY.

FLYWHEEL ASSY.

| <u>NO.</u> | <u>PART NO.</u> | <u>PART NAME</u> | <u>QTY.</u> | <u>REMARKS</u> |
|------------|-----------------|-------------------------------|-------------|----------------|
| 1 | 19511ZE2000 | FAN, COOLING | 1 | |
| 3 | 28450ZE2W11 | PULLEY, STARTER (SCREEN GRID) | 1 | |
| 5 | 31100ZE2010 | FLYWHEEL | 1 | |
| 8 | 90201ZE3V00 | NUT, SPECIAL (16MM) (1) | 1 | |
| 9 | 90741ZE2000 | KEY, SPECIAL WOODRUFF (25X18) | 1 | |

GX270QWH2 ENGINE — FUEL TANK ASSY.

FUEL TANK ASSY.



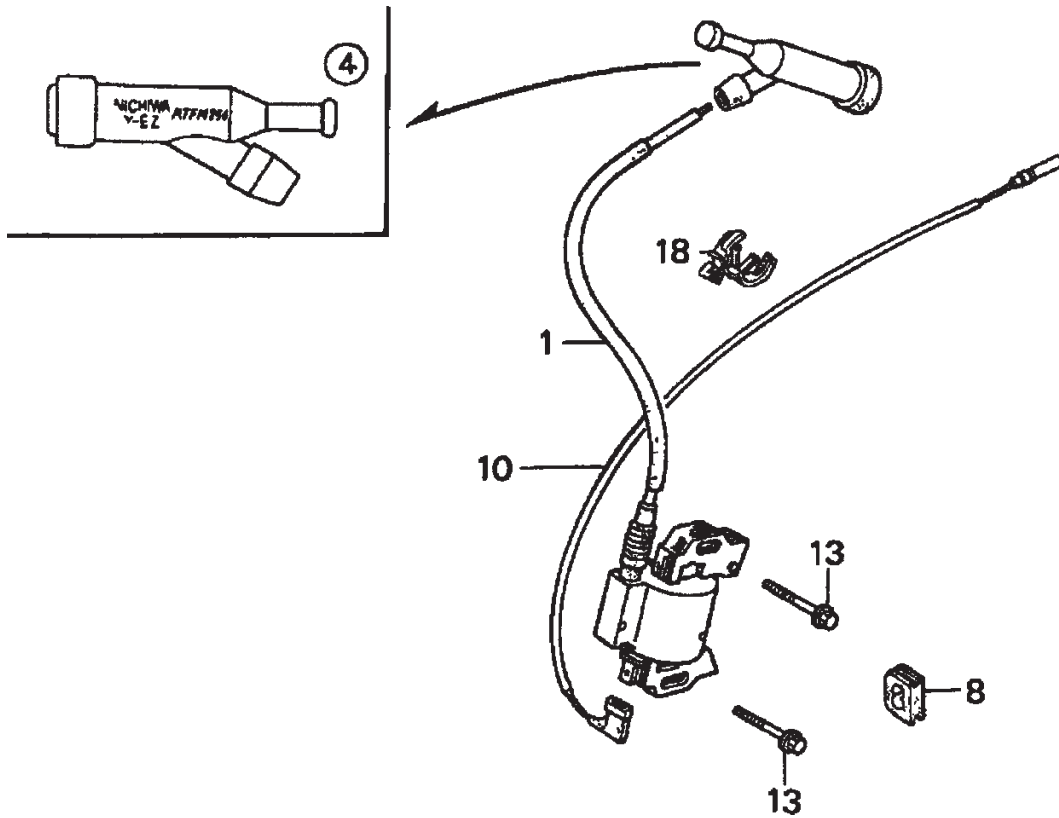
GX270QWH2 ENGINE — FUEL TANK ASSY.

FUEL TANK ASSY.

| <u>NO.</u> | <u>PART NO.</u> | <u>PART NAME</u> | <u>QTY.</u> | <u>REMARKS</u> |
|------------|-----------------|--------------------------------------|-------------|--------------------|
| 1 | 16854ZH8000 | RUBBER, SUPPORTER (107MM) | 1 | |
| 2 | 16955ZE1000 | JOINT, FUEL TANK | 1 | |
| 5 | 17510ZE2010ZD | TANK, FUEL *NH1* (BLACK) | 1 | |
| 7 | 17620ZH7023 | CAP, FUEL FILLER | 1 | INCLUDES ITEMS W/* |
| 12 | 91353671003 | O-RING (13.5X1.5) (ARAI) | 1 | |
| 14 | 9405008000 | NUT, FLANGE (8MM) | 2 | |
| 15 | 950014500360M | BULK HOSE, FUEL (4.5X3000) (4.5X222) | 1 | |
| 16 | 9500202080 | CLIP, TUBE (B8) | 2 | |
| 17 | 957010802500 | BOLT, FLANGE (8X25) | 2 | |
| 22 | 17631ZH7003 | GASKET, FUEL FILLER CAP | 1 | |

GX270QWH2 ENGINE — IGNITION COIL ASSY.

IGNITION COIL ASSY.



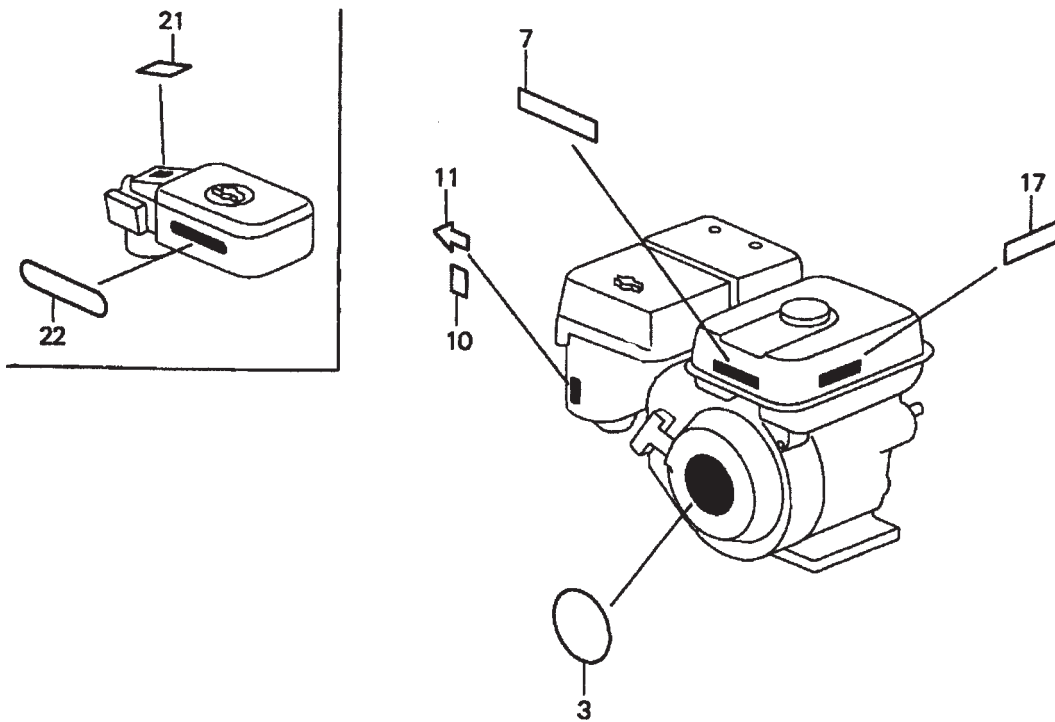
GX270QWH2 ENGINE — IGNITION COIL ASSY.

IGNITION COIL ASSY.

| <u>NO.</u> | <u>PART NO.</u> | <u>PART NAME</u> | <u>QTY.</u> | <u>REMARKS</u> |
|------------|-----------------|-----------------------------|-------------|----------------|
| 1 | 30500ZF6W02 | COIL ASSY., IGNITION | 1 | |
| 4 | 30700ZE1013 | CAP ASSY., NOISE SUPPRESSOR | 1 | |
| 8 | 31512ZE2000 | GROMMET, WIRE | 1 | |
| 10 | 36101ZE1010 | WIRE, STOP SWITCH (370MM) | 1 | |
| 13 | 90015883000 | BOLT, FLANGE (6X28) | 2 | |
| 18 | 90684ZA0601 | CLIP, WIRE HARNESS | 1 | |

GX270QWH2 ENGINE — LABELS ASSY.

LABELS ASSY.



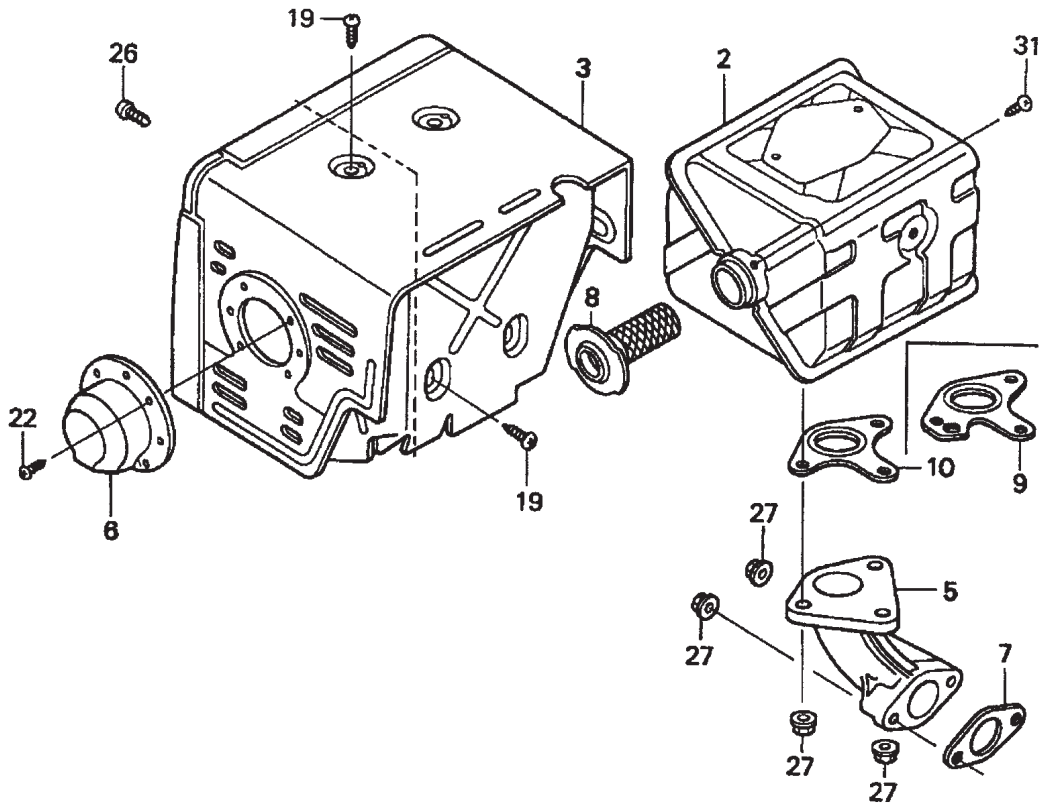
GX270QWH2 ENGINE — LABELS ASSY.

LABELS ASSY.

| <u>NO.</u> | <u>PART NO.</u> | <u>PART NAME</u> | <u>QTY.</u> | <u>REMARKS</u> |
|------------|-----------------|-------------------------------|-------------|----------------|
| 3 | 87521ZH9020 | EMBLEM (INTERNAL) | 1 | |
| 7 | 87522ZH9010 | LABEL, CAUTION | 1 | |
| 10 | 87528ZE2810 | MARK, CHOKE (EXTERNAL) | 1 | |
| 17 | 87532ZH8810 | MARK, OIL ALERT (E) | 1 | |
| 21 | 87534ZE1841 | LABEL, AIR CLEANER CAUTION | 1 | |
| 22 | 87535ZE1840 | MARK, AIR CLEANER SALES POINT | 1 | |

GX270QWH2 ENGINE — MUFFLER ASSY.

MUFFLER (2) ASSY.



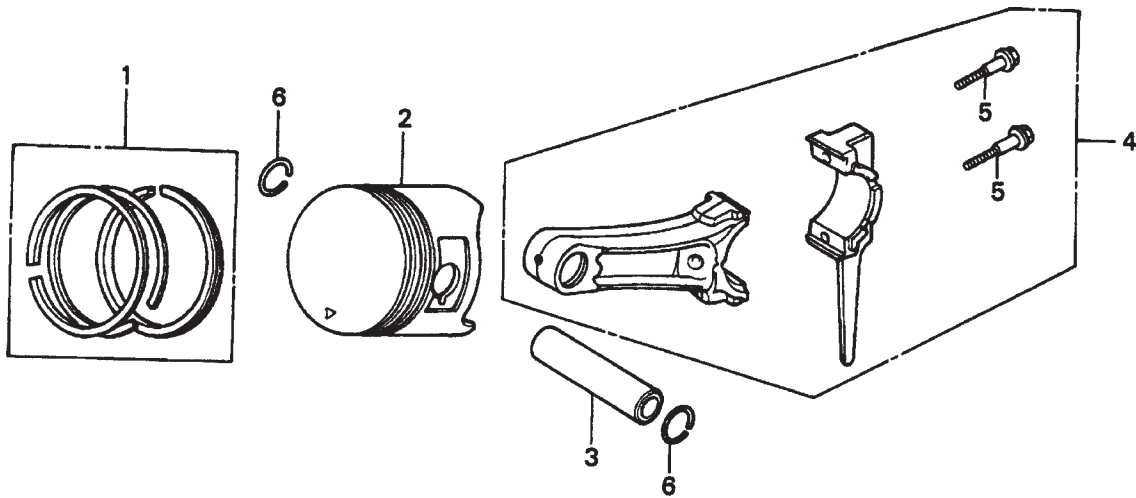
GX270QWH2 ENGINE — MUFFLER ASSY.

MUFFLER ASSY.

| <u>NO.</u> | <u>PART NO.</u> | <u>PART NAME</u> | <u>QTY.</u> | <u>REMARKS</u> |
|-------------------|------------------------|---------------------------------------|--------------------|-----------------------|
| 2 | 18310ZE2W61 | MUFFLER (100DB) | 1 | |
| 3 | 18320ZE2W61 | PROTECTOR, MUFFLER | 1 | |
| 5 | 18330ZH9N00 | PIPE, EX. | 1 | |
| 6 | 18331ZE2810 | CAP, MUFFLER | 1 | |
| 7 | 18333ZF6W01 | GASKET, EX. PIPE | 1 | |
| 8 | 18355ZE2W00 | ARRESTER, SPARK (OPTIONAL) | 1 | |
| 9 | 18381ZE2W10 | GASKET, MUFFLER (ARRESTER) (OPTIONAL) | 1 | |
| 10 | 18381ZE2800 | GASKET, MUFFLER | 1 | |
| 19 | 90050ZE1000 | SCREW, TAPPING (5X8) | 4 | |
| 22 | 90055ZE1000 | SCREW, TAPPING (4X6) | 3 | |
| 26 | 90006ZE2000 | SCREW, TAPPING (6X10) | 1 | |
| 27 | 9405008000 | NUT, FLANGE (8MM) | 5 | |
| 31 | 90055ZE1000 | SCREW, TAPPING (4X6) (OPTIONAL) | 1 | |

GX270QWH2 ENGINE — PISTON ASSY.

PISTON ASSY.



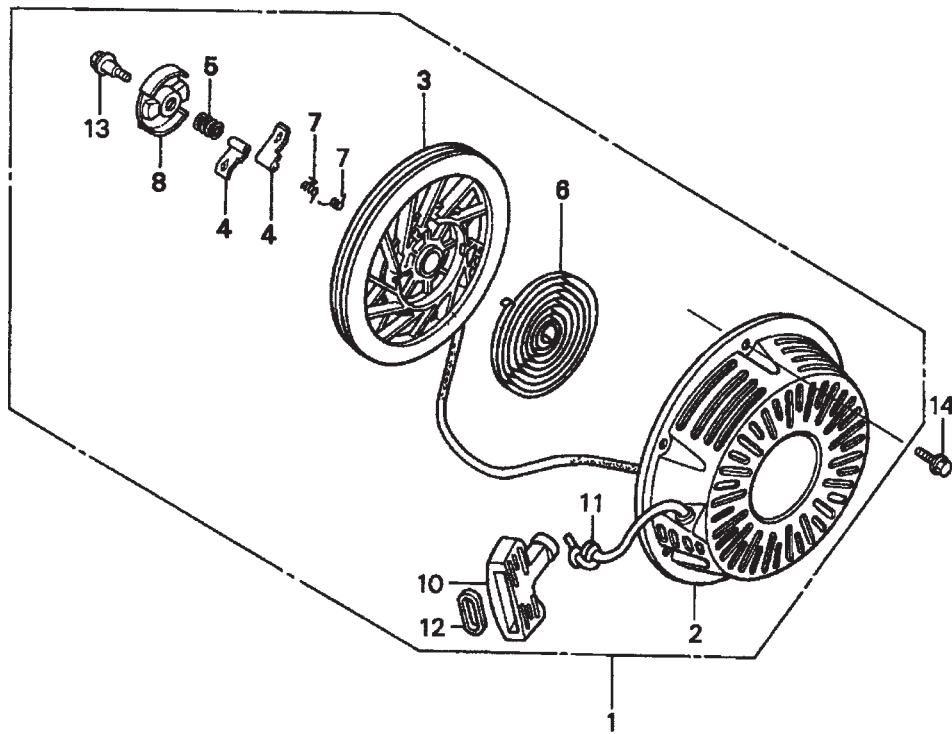
GX270QWH2 ENGINE — PISTON ASSY.

PISTON ASSY.

| <u>NO.</u> | <u>PART NO.</u> | <u>PART NAME</u> | <u>QTY.</u> | <u>REMARKS</u> |
|------------|-----------------|--|-------------|--------------------|
| 1 | 13010ZE8601 | RING SET, PISTON (STD) | 1 | |
| 1 | 13011ZE8601 | RING SET, PISTON (OS 0.25) (OPTIONAL) | 1 | |
| 1 | 13012ZE8601 | RING SET, PISTON (OS 0.50) (OPTIONAL) | 1 | |
| 1 | 13013ZE8601 | RING SET, PISTON (0.75) (OPTIONAL) | 1 | |
| 2 | 13101ZH9000 | PISTON (STD) | 1 | |
| 2 | 13102ZH9000 | PISTON (OS 0.25) (OPTIONAL) | 1 | |
| 2 | 13103ZH9000 | PISTON (OS 0.50) (OPTIONAL) | 1 | |
| 2 | 13104ZH9000 | PISTON (0.75) (OPTIONAL) | 1 | |
| 3 | 13111ZE2000 | PIN, PISTON | 1 | |
| 4 | 13200ZE2010 | ROD ASSY., CONNECTING (STD) | 1 | INCLUDES ITEMS W/* |
| 4 | 13200ZE2305 | ROD ASSY., CONNECTING (US 0.25) (OPTIONAL) | 1 | INCLUDES ITEMS W/* |
| 5* | 90001ZE8000 | BOLT, CONNECTING ROD | 2 | |
| 6 | 90551ZE1000 | CLIP, PISTON PIN (18MM) | 2 | |

GX270QWH2 ENGINE — RECOIL STARTER ASSY.

RECOIL STARTER ASSY.



GX270QWH2 ENGINE — RECOIL STARTER ASSY.

RECOIL STARTER ASSY.

| <u>NO.</u> | <u>PART NO.</u> | <u>PART NAME</u> | <u>QTY.</u> | <u>REMARKS</u> |
|-------------------|------------------------|---|--------------------|-----------------------|
| 1 | 28400ZE2W01ZB | STARTER ASSY., RECOIL *NH1* (BLACK) | 1 | INCLUDES ITEMS W/* |
| 2* | 28410ZE2W01ZB | CASE, RECOIL STARTER *NH1* (BLACK) | 1 | |
| 3* | 28421ZE2W01 | PULLEY, RECOIL STARTER | 1 | |
| 4* | 28422ZE2W01 | RATCHET, STARTER | 2 | |
| 5* | 28441ZE2W01 | SPRING, FRICTION | 1 | |
| 6* | 28442ZE2W01 | SPRING, STARTER RETURN | 1 | |
| 7* | 28443ZE2W01 | SPRING, RATCHET | 2 | |
| 8* | 28444ZE2W01 | RETAINER, SPRING | 1 | |
| 10* | 28461ZE2W02 | GRIP, STARTER | 1 | |
| 11* | 28462ZE2W11 | ROPE, RECOIL STARTER | 1 | |
| 13* | 90004ZE2W01 | SCREW, CENTER | 1 | |
| 14 | 90008ZE2003 | BOLT, FLANGE (6X10) | 3 | |

TERMS AND CONDITIONS OF SALE — PARTS

PAYMENT TERMS

Terms of payment for parts are net 30 days.

FREIGHT POLICY

All parts orders will be shipped collect or prepaid with the charges added to the invoice. All shipments are F.O.B. point of origin. Multiquip's responsibility ceases when a signed manifest has been obtained from the carrier, and any claim for shortage or damage must be settled between the consignee and the carrier.

MINIMUM ORDER

The minimum charge for orders from Multiquip is \$15.00 net. Customers will be asked for instructions regarding handling of orders not meeting this requirement.

RETURNED GOODS POLICY

Return shipments will be accepted and credit will be allowed, subject to the following provisions:

1. A Returned Material Authorization must be approved by Multiquip prior to shipment.
2. To obtain a Return Material Authorization, a list must be provided to Multiquip Parts Sales that defines item numbers, quantities, and descriptions of the items to be returned.
 - a. The parts numbers and descriptions must match the current parts price list.
 - b. The list must be typed or computer generated.
 - c. The list must state the reason(s) for the return.
 - d. The list must reference the sales order(s) or invoice(s) under which the items were originally purchased.
 - e. The list must include the name and phone number of the person requesting the RMA.
3. A copy of the Return Material Authorization must accompany the return shipment.
4. Freight is at the sender's expense. All parts must be returned freight prepaid to Multiquip's designated receiving point.

5. Parts must be in new and resalable condition, in the original Multiquip package (if any), and with Multiquip part numbers clearly marked.
6. The following items are not returnable:
 - a. Obsolete parts. (If an item is in the price book and shows as being replaced by another item, it is obsolete.)
 - b. Any parts with a limited shelf life (such as gaskets, seals, "O" rings, and other rubber parts) that were purchased more than six months prior to the return date.
 - c. Any line item with an extended dealer net price of less than \$5.00.
 - d. Special order items.
 - e. Electrical components.
 - f. Paint, chemicals, and lubricants.
 - g. Decals and paper products.
 - h. Items purchased in kits.
7. The sender will be notified of any material received that is not acceptable.
8. Such material will be held for five working days from notification, pending instructions. If a reply is not received within five days, the material will be returned to the sender at his expense.
9. Credit on returned parts will be issued at dealer net price at time of the original purchase, less a 15% restocking charge.
10. In cases where an item is accepted, for which the original purchase document can not be determined, the price will be based on the list price that was effective twelve months prior to the RMA date.
11. Credit issued will be applied to future purchases only.

PRICING AND REBATES

Prices are subject to change without prior notice. Price changes are effective on a specific date and all orders received on or after that date will be billed at the revised price. Rebates for price declines and added charges for price increases will not be made for stock on hand at the time of any price change.

Multiquip reserves the right to quote and sell direct to Government agencies, and to Original Equipment Manufacturer accounts who use our products as integral parts of their own products.

SPECIAL EXPEDITING SERVICE

A \$35.00 surcharge will be added to the invoice for special handling including bus shipments, insured parcel post or in cases where Multiquip must personally deliver the parts to the carrier.

LIMITATIONS OF SELLER'S LIABILITY

Multiquip shall not be liable hereunder for damages in excess of the purchase price of the item with respect to which damages are claimed, and in no event shall Multiquip be liable for loss of profit or good will or for any other special, consequential or incidental damages.

LIMITATION OF WARRANTIES

No warranties, express or implied, are made in connection with the sale of parts or trade accessories nor as to any engine not manufactured by Multiquip. Such warranties made in connection with the sale of new, complete units are made exclusively by a statement of warranty packaged with such units, and Multiquip neither assumes nor authorizes any person to assume for it any other obligation or liability whatever in connection with the sale of its products. Apart from such written statement of warranty, there are no warranties, express, implied or statutory, which extend beyond the description of the products on the face hereof.

Effective: February 22, 2006

PARTS MANUAL

HERE'S HOW TO GET HELP

PLEASE HAVE THE MODEL AND SERIAL
NUMBER ON-HAND WHEN CALLING

UNITED STATES

Multiquip Inc.

(310) 537- 3700
6141 Katella Avenue Suite 200
Cypress, CA 90630
E-MAIL: mq@multiquip.com
WEBSITE: www.multiquip.com

CANADA

Multiquip

(450) 625-2244
4110 Industriel Boul.
Laval, Quebec, Canada H7L 6V3
E-MAIL: infocanada@multiquip.com

UNITED KINGDOM

Multiquip (UK) Limited Head Office

0161 339 2223
Unit 2, Northpoint Industrial Estate,
Globe Lane,
Dukinfield, Cheshire SK16 4UJ
E-MAIL: sales@multiquip.co.uk

© COPYRIGHT 2019, MULTIQUIP INC.

Multiquip Inc, the MQ logo are registered trademarks of Multiquip Inc. and may not be used, reproduced, or altered without written permission. All other trademarks are the property of their respective owners and used with permission.

This manual MUST accompany the equipment at all times. This manual is considered a permanent part of the equipment and should remain with the unit if resold.

The information and specifications included in this publication were in effect at the time of approval for printing. Illustrations, descriptions, references and technical data contained in this manual are for guidance only and may not be considered as binding. Multiquip Inc. reserves the right to discontinue or change specifications, design or the information published in this publication at any time without notice and without incurring any obligations.

